

# SPECK

# 2024

Pump technologies and solutions...



## Domestic and industrial technology

# Speck Pumpen experience technology





---

WATER SUPPLY	5
WATER DISPOSAL	177
HEATING	187
SERVICE	197

---

Current SPECK Pumpen news



# Product overview



**Aquacell AE-M/AE-T**  
Page 8



**Aquacell A**  
Page 10



**Aquacell AE**  
Page 10



**Multicell**  
Page 18



**NTA Comfort**  
Page 34



**NTA Compact**  
Page 36



**NTA Premium**  
Page 40



**Feuercell**  
Page 42



**Feuercell Duo**  
Page 42



**IN-VB/IN-VC**  
Page 60



**VGX/2VGX**  
Page 92



**MTX**  
Page 100



**SPR-MIDA**  
Page 110



**SPR-VLT®AQUA DRIVE**  
Page 112



**SPR-H**  
Page 114



---

**SUPS**  
Page 120



---

**PM**  
Page 158



---

**BS**  
Page 162



---

**SG / SGM**  
Page 168



---

**ZIS**  
Page 172



---

**Zismatic**  
Page 174



---

**Top 71**  
Page 180



---

**Top 72-80**  
Page 182



---

**Top 90 - 300**  
Page 184



---

**INOVA NH II**  
Page 190



---

**INOVA BN**  
Page 194





---

## WATER SUPPLY

---

<b>Pressure boosting units</b>	<b>6</b>
<b>Drinking water separation stations</b>	<b>32</b>
<b>Fire extinguishing systems</b>	<b>42</b>
<b>Vertical pumps</b>	<b>58</b>
<b>Horizontal pumps</b>	<b>90</b>
<b>Pump controls</b>	<b>108</b>
<b>Submersible pumps and accessories</b>	<b>118</b>
<b>Domestic waterwork pumps/piston pumps</b>	<b>158</b>
<b>Jet pumps</b>	<b>168</b>
<b>Cistern pumps</b>	<b>172</b>





# Product overview

## Pressure boosting



---

### Aquacell AE-M/AE-T

Performance: 1 to 9 m<sup>3</sup>/h

**Page 8**



---

### Aquacell A

Performance: 1 to 160 m<sup>3</sup>/h

**Page 10**



---

### Aquacell AE

Performance: 1 to 160 m<sup>3</sup>/h

**Page 10**



---

### Multicell SFE

Performance: 1 to 960 m<sup>3</sup>/h

**Page 18**

# AQUACELL AE-M/AE-T



## Pressure boosting units

### Field of application

- > Drinking water supply
- > Process water supply
- > Air conditioning units
- > Irrigation

### Design

The units are turned on and off automatically via a pressure switched situated on the discharge side. An 18 l diaphragm pressure vessel is installed as a control in the pressure line. An electrical dry running protection is integrated. The speed control is carried out via a frequency converter fitted onto the motor and including LED display and keypad. Bluetooth monitoring is available via an app on the smartphone. Supplied ready to plug in with 1.5 m cable and plug, AE-T with cable without plug.

### Motor

Protection class: ..... IP 55  
 Class of insulation: ..... F  
 Voltage: ..... 1~ 230 V ± 10 %  
 ..... 3~ 400 V ± 10 %  
 Speed: ..... 2850 rpm  
 Frequency: ..... 50 Hz

### Technical data

Flow rate: ..... Q up to max. 9 m<sup>3</sup>/h  
 Total dynamic head: ..... H up to max. 65 m  
 Fluid temperature: ..... t up to max. 50 °C  
 Operating pressure: ..... p up to max. 10 bar

### Pumped fluid

Clear, moderately aggressive fluids, which don't chemically and mechanically attack the pump materials.

### Materials used

Pump housing: ..... stainless steel AISI 304  
 Impellers: ..... stainless steel AISI 304  
 O-rings: ..... EPDM  
 Pump shaft: ..... stainless steel AISI 303  
 Mechanical seal: ..... carbon/SiC/EPDM  
 Fittings: ..... copper alloy  
 Pipework: ..... stainless steel AISI 316Ti

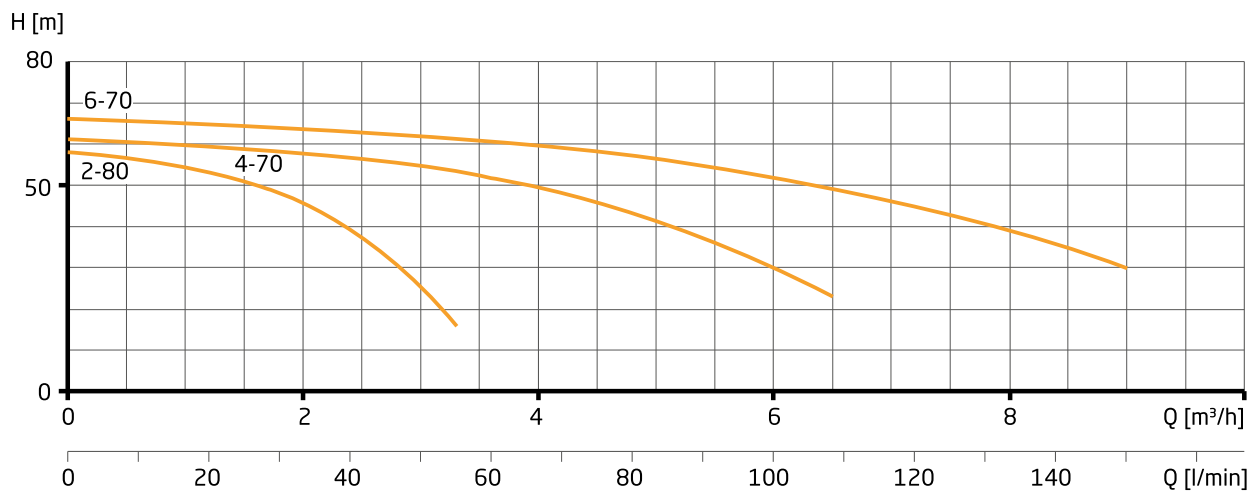
### Typenschlüssel

#### Aquacell AE-M 4-70

Aquacell: ..... unit type  
 AE: ..... frequency controlled  
 M(T): ..... M = AC  
 ..... T = DC  
 4: ..... pump size  
 70: ..... number of stages x 10



### Characteristics



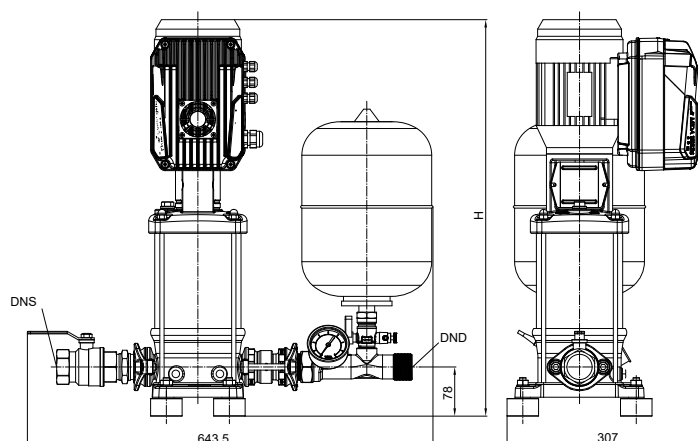
### Technical data

Type	Inlet connection (Rp)	Outlet connection (R)	Power output P <sub>2</sub> (kW)	Input voltage	Rated current (A) 1 x 230 V	Input voltage	Rated current (A) 3 x 400 V	Approx. weight (kg)
AE-M 2-80	1 ¼	1 ¼	0.55	1~ 230 V	2.10	-	-	38.00
AE-M 4-70	1 ¼	1 ¼	1.10	1~ 230 V	4.00	-	-	41.00
AE-M 6-70	1 ¼	1 ¼	1.50	1~ 230 V	5.50	-	-	43.00
AE-T 2-80	1 ¼	1 ¼	0.55	-	-	3~ 400 V	1.20	38.00
AE-T 4-70	1 ¼	1 ¼	1.10	-	-	3~ 400 V	2.30	41.00
AE-T 6-70	1 ¼	1 ¼	1.50	-	-	3~ 400 V	3.20	43.00

### Order information

Type	Article no.	Flow rate (m³/h)	Target pressure (bar)		Net RRP	Gross RRP
AE-M 2-80	561.0208.601	2.00	4.00	✘	2,771.23 €	3,297.76 €
AE-M 4-70	561.0407.601	4.00	4.00	✘	2,839.68 €	3,379.22 €
AE-M 6-70	561.0607.601	6.00	4.00	✘	3,050.07 €	3,629.58 €
AE-T 2-80	561.0208.611	2.00	4.00	✘	2,771.23 €	3,297.76 €
AE-T 4-70	561.0407.611	4.00	4.00	✘	2,839.68 €	3,379.22 €
AE-T 6-70	561.0607.611	6.00	4.00	✘	3,050.07 €	3,629.58 €

### Dimensions



Type	H
AE-M (T) 2-80	669
AE-M (T) 4-70	668
AE-M (T) 6-70	720

Warehouse goods, can be dispatched immediately

# AQUACELL A/AE



## Pressure boosting units

### Field of application

- > Drinking water supply
- > Industrial water supply
- > Process water supply
- > Air conditioning units
- > Irrigation

### Design

#### Aquacell A, ZL

With a non-self-priming, staged centrifugal pump with constant speed, incl. dry run protection in the feed line above 1.0 bar.

#### Aquacell AE

The units are turned on and off automatically via a pressure switched situated on the discharge side. An 18 l diaphragm pressure vessel is installed as a control in the pressure line. An electrical dry running protection is integrated. The speed control is carried out via a frequency converter fitted onto the motor and including LED display and keypad. Bluetooth monitoring is available via an app on the smartphone.

### Motor

Protection class: ..... IP 55  
Class of insulation: ..... F  
Voltage: ..... 3~ 230/400 V ± 10 %  
Speed: ..... 2850 rpm  
Frequency: ..... 50 Hz

### Special editions

- > Special voltages
- > Special elastomeres
- > Special mechanical seals
- > Higher fluid temperatures
- > Larger units

### Technical data

Flow rate: ..... Q up to max. 160 m<sup>3</sup>/h  
Total dynamic head: ..... H up to max. 250 m  
Fluid temperature: ..... t up to max. 50 °C  
Operating pressure: ..... p up to max. 25 bar

### Pumped fluid

Clear, moderately aggressive fluids, which don't chemically and mechanically attack the pump materials.

### Materials used

Pump housing: ..... stainless steel AISI 304  
Impellers: ..... stainless steel AISI 304  
O-rings: ..... EPDM  
Pump shaft: ..... stainless steel AISI 303  
Mechanical seal: ..... carbon/SiC/EPDM  
Fittings: ..... copper alloy  
Pipework: ..... stainless steel AISI 304  
Base frame: ..... stainless steel AISI 304

### Type key

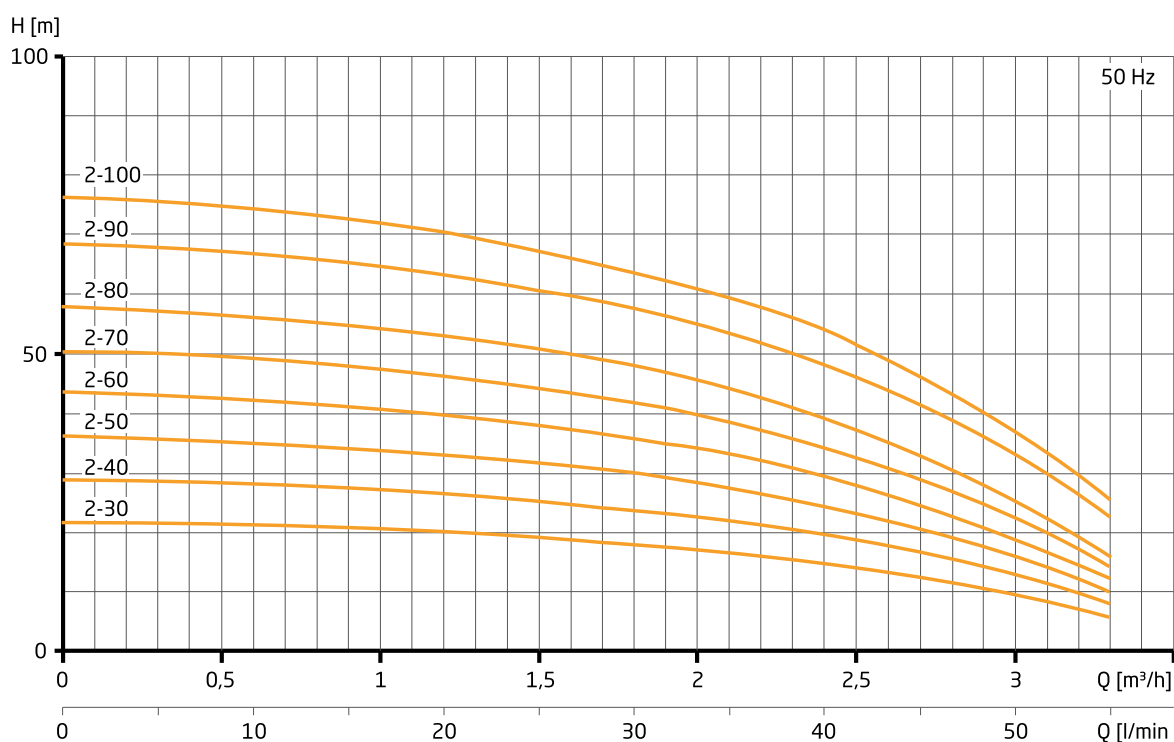
#### Aquacell A 4-70, VA, ZL

Aquacell: ..... unit type  
A: ..... standard  
E: ..... frequency controlled  
4: ..... pump size  
70: ..... number of stages x 10  
VA: ..... stainless steel version  
ZL: ..... dry run protection feed line (Standard)  
(DL = dry run protection pressure line)

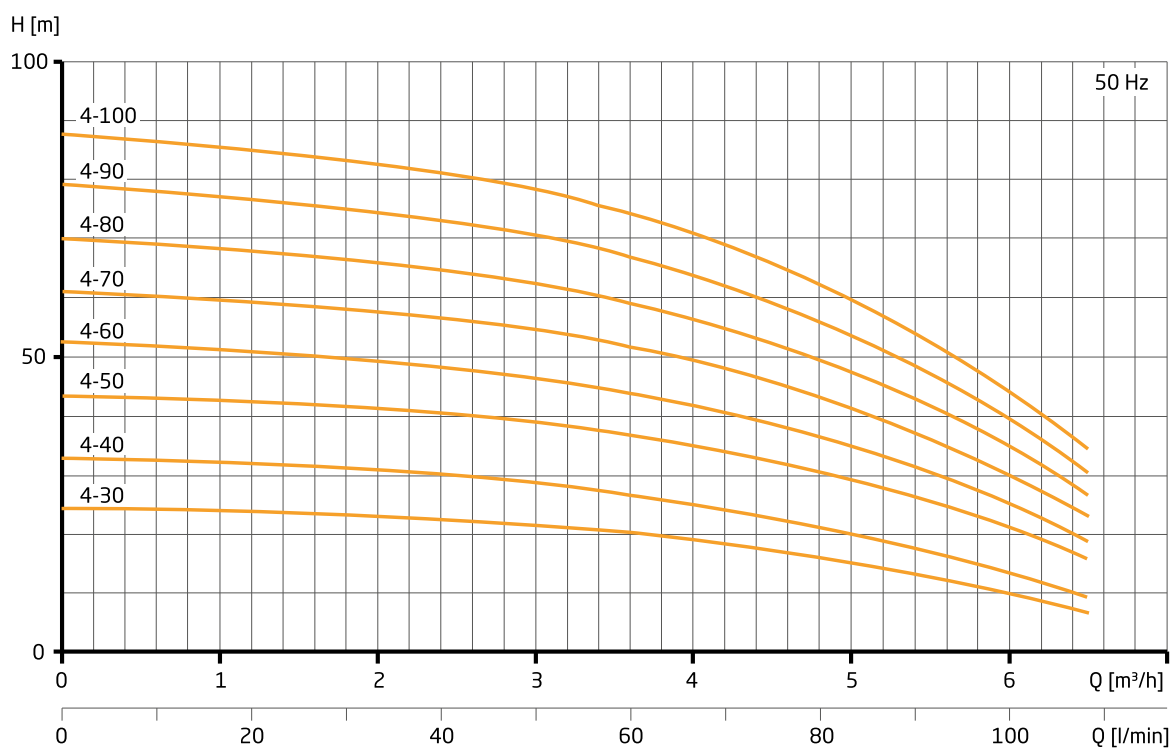


Characteristics

A/AE 2-30 to 2-100

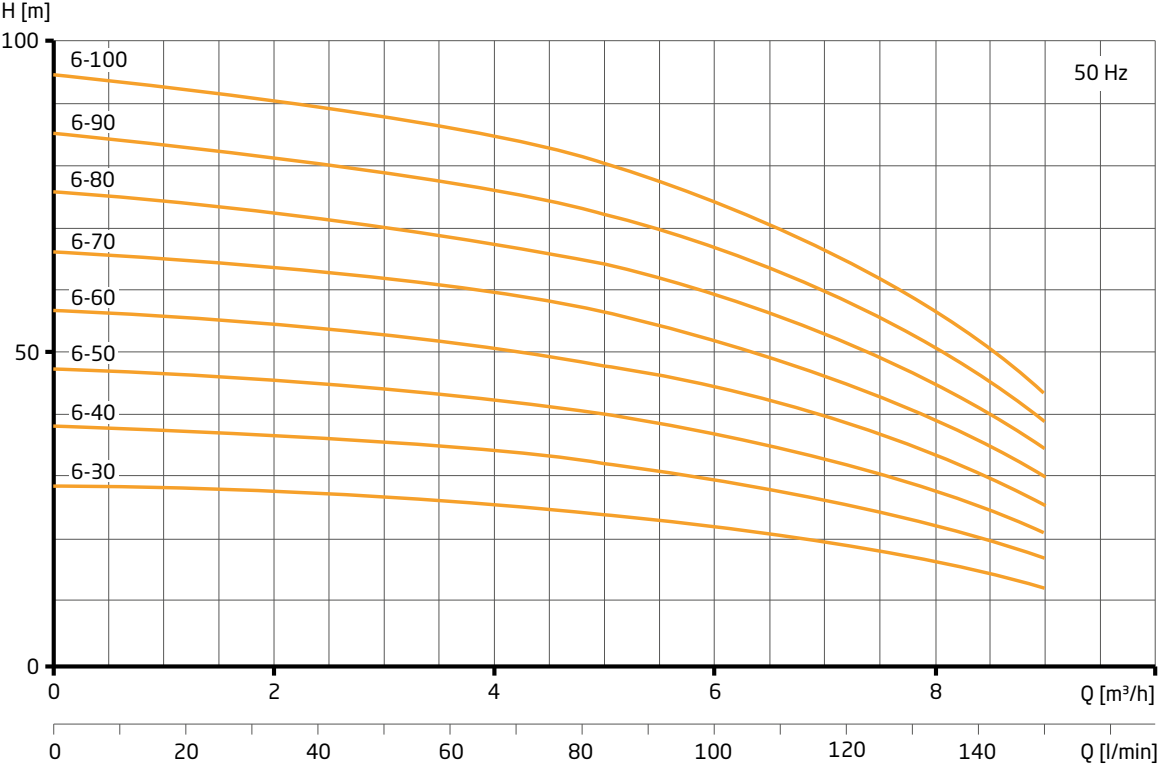


A/AE 4-30 to 4-100

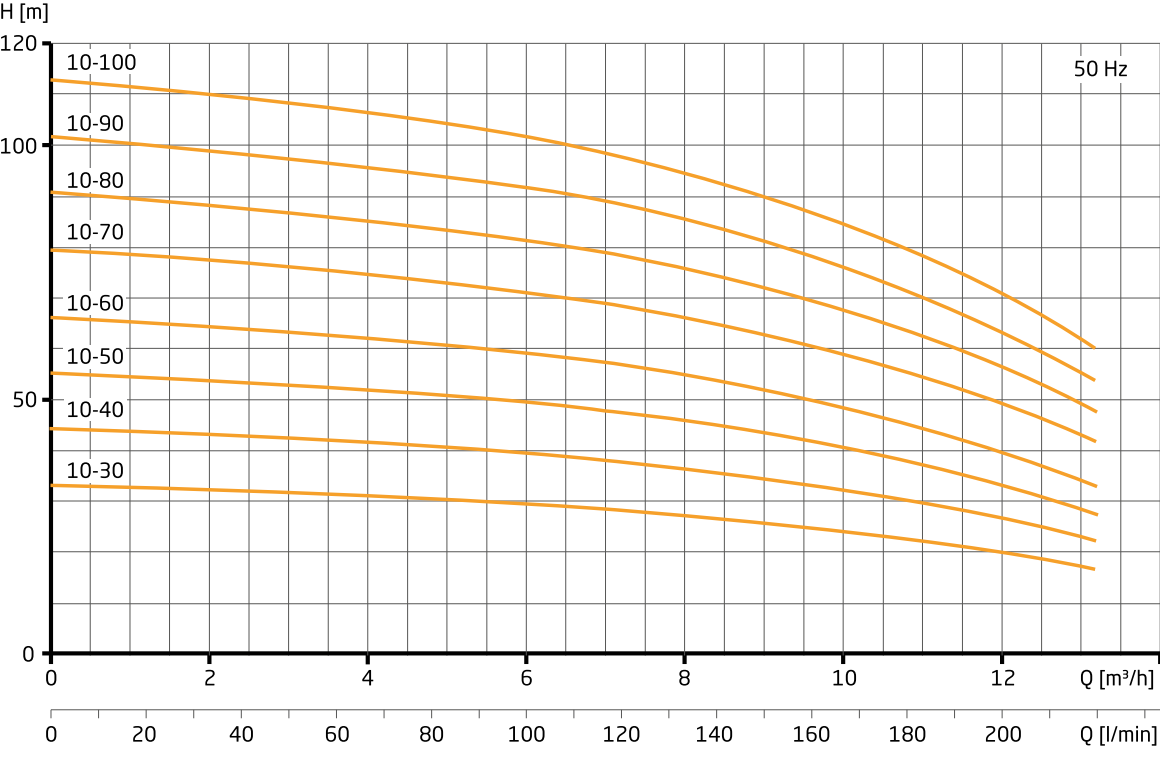


**Characteristics**

**A/AE 6-30 to 6-100**



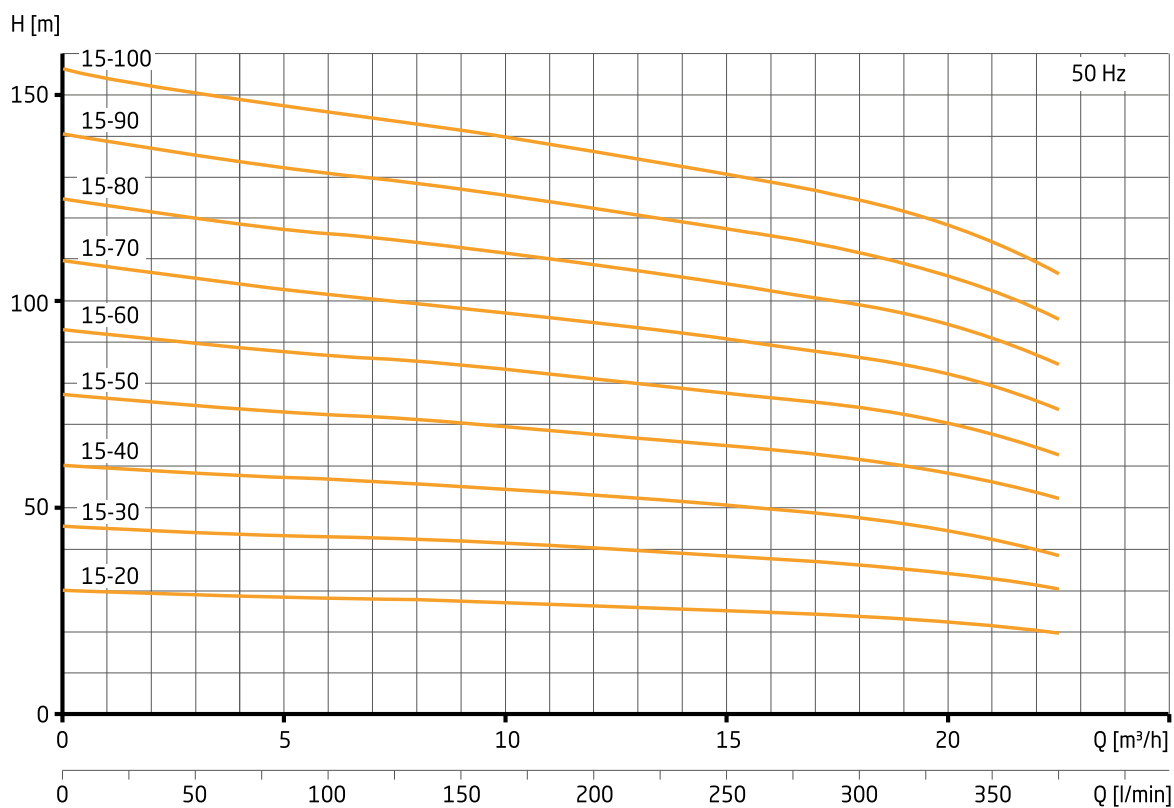
**A/AE 10-30 to 10-100**



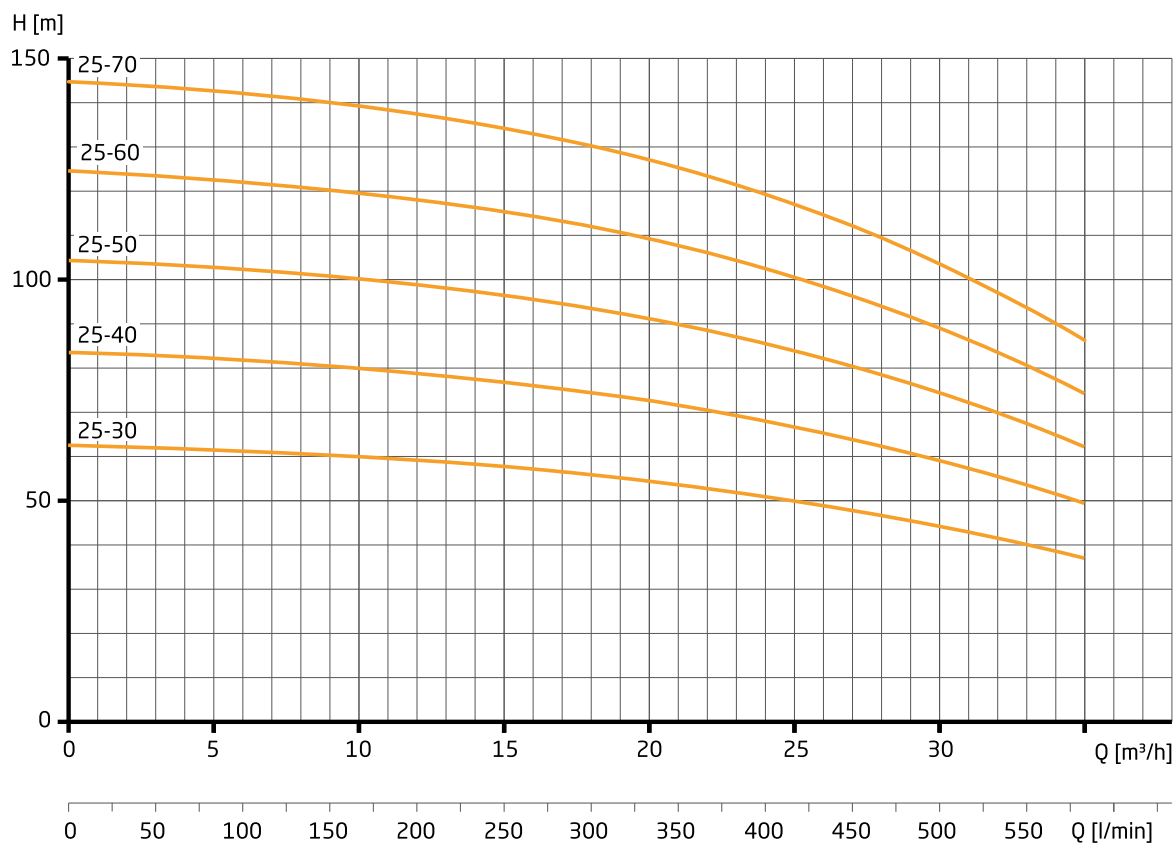


Characteristics

**A/AE 15-20 to 15-100**



**A/AE 25-30 to 25-70**



## Technical data

Typ	Inlet/Outlet connection (Rp/R)	Average flow rate (m <sup>3</sup> /h)	Operatin/target pressure (bar)	max. operating pressure (PN)*	Power output P <sub>2</sub> (kW)	Rated current (A) 3 x 400 V	Approx. weight (kg)
A/AE 2-30	Rp 1/R 1	2.50	1.40	10	0.37	0.95	30.00
A/AE 2-40	Rp 1/R 1	2.50	1.80	10	0.37	0.95	32.00
A/AE 2-50	Rp 1/R 1	2.50	2.40	10	0.37	0.95	33.00
A/AE 2-60	Rp 1/R 1	2.50	2.80	10	0.55	1.20	35.00
A/AE 2-70	Rp 1/R 1	2.50	3.40	10	0.55	1.20	35.00
A/AE 2-80	Rp 1/R 1	2.50	3.70	10	0.55	1.20	38.00
A/AE 2-90	Rp 1/R 1	2.50	4.60	10	0.75	1.80	39.00
A/AE 2-100	Rp 1/R 1	2.50	5.20	16	0.75	1.80	39.00
A/AE 4-30	Rp 1 ¼/R 1 ¼	4.00	1.90	10	0.55	1.20	33.00
A/AE 4-40	Rp 1 ¼/R 1 ¼	4.00	2.60	10	0.55	1.20	34.00
A/AE 4-50	Rp 1 ¼/R 1 ¼	4.00	3.50	10	0.75	1.80	36.00
A/AE 4-60	Rp 1 ¼/R 1 ¼	4.00	4.30	10	1.10	2.30	37.00
A/AE 4-70	Rp 1 ¼/R 1 ¼	4.00	4.90	10	1.10	2.30	37.00
A/AE 4-80	Rp 1 ¼/R 1 ¼	4.00	5.60	10	1.50	3.20	43.00
A/AE 4-90	Rp 1 ¼/R 1 ¼	4.00	6.40	16	1.50	3.20	44.00
A/AE 4-100	Rp 1 ¼/R 1 ¼	4.00	7.20	16	1.50	3.20	44.00
A/AE 6-30	Rp 1 ¼/R 1 ¼	6.00	2.20	10	0.75	1.80	36.00
A/AE 6-40	Rp 1 ¼/R 1 ¼	6.00	2.90	10	1.10	2.30	36.00
A/AE 6-50	Rp 1 ¼/R 1 ¼	6.00	3.70	10	1.10	2.30	37.00
A/AE 6-60	Rp 1 ¼/R 1 ¼	6.00	4.40	10	1.50	3.20	43.00
A/AE 6-70	Rp 1 ¼/R 1 ¼	6.00	5.30	10	1.50	3.20	43.00
A/AE 6-80	Rp 1 ¼/R 1 ¼	6.00	5.90	16	2.20	4.60	45.00
A/AE 6-90	Rp 1 ¼/R 1 ¼	6.00	6.60	16	2.20	4.60	45.00
A/AE 6-100	Rp 1 ¼/R 1 ¼	6.00	7.40	16	2.20	4.60	46.00
A/AE 10-30	Rp 2/R 1 ½	8.00	2.70	10	1.10	2.30	51.00
A/AE 10-40	Rp 2/R 1 ½	8.00	3.70	10	1.50	3.20	54.00
A/AE 10-50	Rp 2/R 1 ½	8.00	4.60	10	2.20	4.60	58.00
A/AE 10-60	Rp 2/R 1 ½	8.00	5.50	10	2.20	4.60	60.00
A/AE 10-70	Rp 2/R 1 ½	8.00	6.60	10	3.00	5.80	66.00
A/AE 10-80	Rp 2/R 1 ½	8.00	7.60	16	3.00	5.80	68.00
A/AE 10-90	Rp 2/R 1 ½	8.00	8.50	16	4.00	7.40	75.00
A/AE 10-100	Rp 2/R 1 ½	8.00	9.50	16	4.00	7.40	76.00
A/AE 15-20	Rp 2/R 2	15.00	2.50	10	2.20	4.60	68.00
A/AE 15-30	Rp 2/R 2	15.00	3.80	10	3.00	5.80	77.00
A/AE 15-40	Rp 2/R 2	15.00	5.10	10	4.00	7.40	88.00
A/AE 15-50	Rp 2/R 2	15.00	6.50	10	5.50	10.00	114.00
A/AE 15-60	Rp 2/R 2	15.00	7.80	16	7.50	13.30	127.00
A/AE 15-70	Rp 2/R 2	15.00	9.10	16	7.50	13.30	129.00
A/AE 15-80	Rp 2/R 2	15.00	10.40	16	11.00	19.30	199.00
A/AE 15-90	Rp 2/R 2	15.00	11.70	16	11.00	19.30	202.00
A/AE 15-100	Rp 2/R 2	15.00	13.00	16	11.00	19.30	208.00
A/AE 25-30	DN65/DN65	25.00	5.00	10	5.50	10.00	139.00
A/AE 25-40	DN65/DN65	25.00	6.70	10	7.50	13.30	146.00
A/AE 25-50	DN65/DN65	25.00	8.30	16	11.00	19.30	217.00
A/AE 25-60	DN65/DN65	25.00	10.00	16	11.00	19.30	223.00
A/AE 25-70	DN65/DN65	25.00	11.70	16	15.00	26.20	232.00

\* Higher operating pressures on request



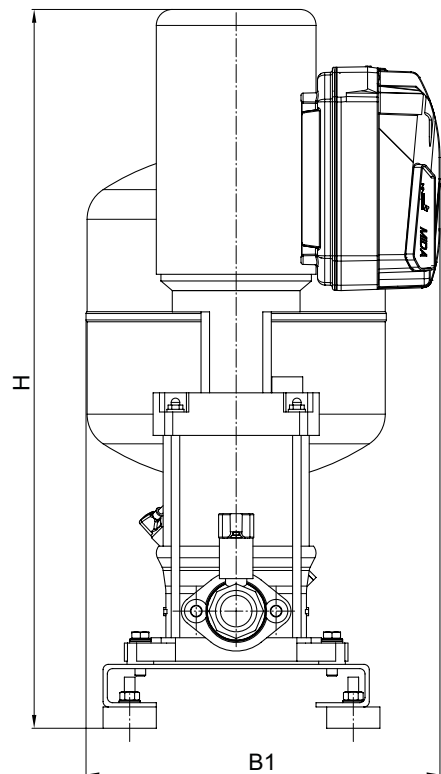
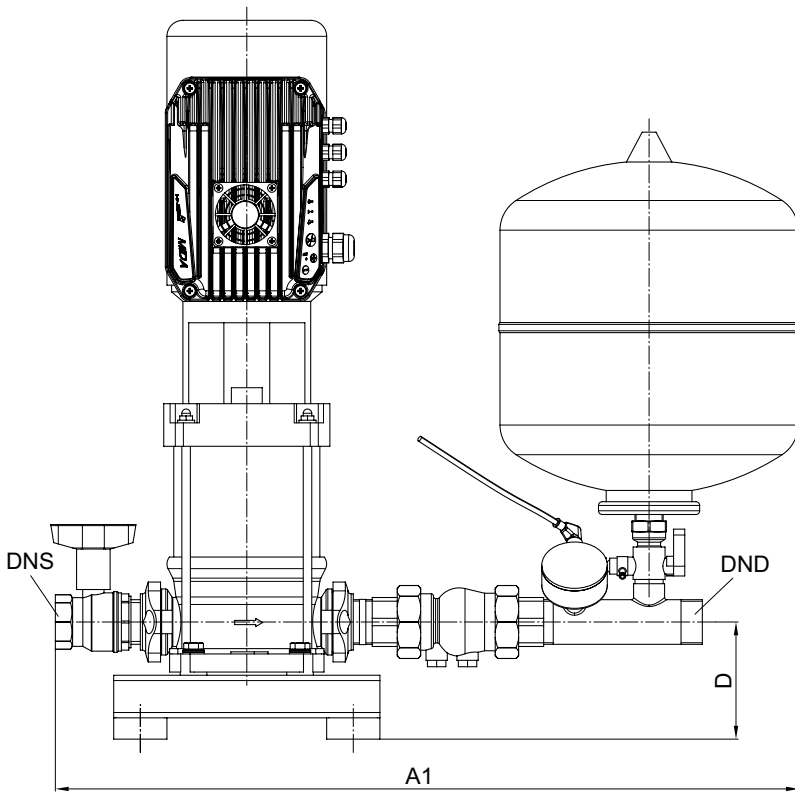
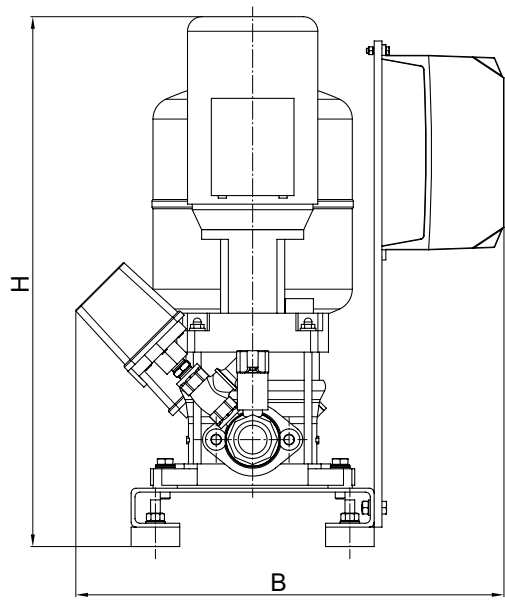
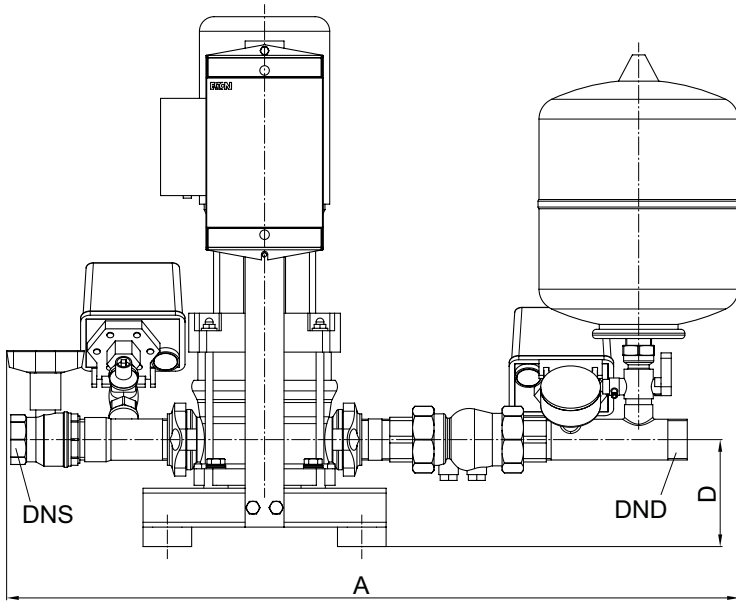


## Order information

Type	Article no.	Net RRP	Gross RRP
A 2-30	562.1000.000	2,028.21 €	2,413.57 €
A 2-40	562.2000.000	2,068.86 €	2,461.94 €
A 2-50	562.3000.000	2,109.44 €	2,510.23 €
A 2-60	562.4000.000	2,138.63 €	2,544.97 €
A 2-70	562.5000.000	2,162.37 €	2,573.22 €
A 2-80	562.6000.000	2,186.28 €	2,601.67 €
A 2-90	562.7000.000	2,220.86 €	2,642.82 €
A 2-100	562.8000.000	2,248.07 €	2,675.20 €
A 4-30	560.1000.000	2,145.13 €	2,552.70 €
A 4-40	560.2000.000	2,194.32 €	2,611.24 €
A 4-50	560.3000.000	2,262.12 €	2,691.92 €
A 4-60	560.4000.000	2,295.09 €	2,731.16 €
A 4-70	560.5000.000	2,322.56 €	2,763.85 €
A 4-80	560.6000.000	2,388.19 €	2,841.95 €
A 4-90	561.0409.000	2,423.60 €	2,884.08 €
A 4-100	560.7000.000	2,468.55 €	2,937.57 €
A 6-30	561.1000.000	2,196.67 €	2,614.04 €
A 6-40	561.2000.000	2,270.60 €	2,702.01 €
A 6-50	561.3000.000	2,324.84 €	2,766.56 €
A 6-60	561.4000.000	2,437.52 €	2,900.65 €
A 6-70	561.5000.000	2,496.18 €	2,970.45 €
A 6-80	561.6000.000	2,520.83 €	2,999.79 €
A 6-90	561.7000.000	2,573.98 €	3,063.04 €
A 6-100	561.8000.000	2,627.12 €	3,126.27 €
A 10-30	564.1000.000	2,643.43 €	3,145.68 €
A 10-40	564.2000.000	2,737.76 €	3,257.93 €
A 10-50	564.3000.000	3,128.64 €	3,723.08 €
A 10-60	564.4000.000	3,207.13 €	3,816.48 €
A 10-70	564.5000.000	3,271.48 €	3,893.06 €
A 10-80	564.6000.000	3,349.96 €	3,986.45 €
A 10-90	564.7000.000	3,495.89 €	4,160.11 €
A 10-100	561.1010.000	3,539.45 €	4,211.95 €
A 15-20	565.0000.000	2,979.00 €	3,545.01 €
A 15-30	565.1000.000	3,071.51 €	3,655.10 €
A 15-40	565.2000.000	4,195.71 €	4,992.89 €
A 15-50	565.3000.000	4,566.74 €	5,434.42 €
A 15-60	565.4000.000	4,891.77 €	5,821.21 €
A 15-70	565.5000.000	4,971.10 €	5,915.61 €
A 15-80	565.6000.000	5,420.61 €	6,450.53 €
A 15-90	561.1509.000	5,896.88 €	7,017.29 €
A 15-100	565.7000.000	6,133.30 €	7,298.63 €
A 25-30	561.2503.000	5,835.72 €	6,944.51 €
A 25-40	561.2504.000	6,285.56 €	7,479.82 €
A 25-50	561.2505.000	7,771.87 €	9,248.53 €
A 25-60	561.2506.000	8,113.07 €	9,654.55 €
A 25-70	561.2507.000	8,762.22 €	10,427.04 €
Commissioning (Net)	INBK02	550.00 €	654.50 €

Type	Article no.	Net RRP	Gross RRP
AE 2-30	562.1001.000	2,839.51 €	3,379.02 €
AE 2-40	562.2001.000	2,854.53 €	3,396.89 €
AE 2-50	562.3001.000	2,869.56 €	3,414.78 €
AE 2-60	562.4001.000	2,884.58 €	3,432.65 €
AE 2-70	562.5001.000	2,896.60 €	3,446.95 €
AE 2-80	562.6001.000	2,911.60 €	3,464.80 €
AE 2-90	562.7001.000	2,950.89 €	3,511.56 €
AE 2-100	562.8001.000	2,971.54 €	3,536.13 €
AE 4-30	560.1001.000	2,859.70 €	3,403.04 €
AE 4-40	560.2001.000	2,915.59 €	3,469.55 €
AE 4-50	560.3001.000	2,992.63 €	3,561.23 €
AE 4-60	560.4001.000	3,030.11 €	3,605.83 €
AE 4-70	560.5001.000	3,061.31 €	3,642.96 €
AE 4-80	560.6001.000	3,236.59 €	3,851.54 €
AE 4-90	561.0409.500	3,319.38 €	3,950.06 €
AE 4-100	560.7001.000	3,359.63 €	3,997.96 €
AE 6-30	561.1001.000	2,971.08 €	3,535.59 €
AE 6-40	561.2001.000	3,002.28 €	3,572.71 €
AE 6-50	561.3001.000	3,063.91 €	3,646.05 €
AE 6-60	561.4001.000	3,292.66 €	3,918.27 €
AE 6-70	561.5001.000	3,305.25 €	3,933.25 €
AE 6-80	561.6001.000	3,359.33 €	3,997.60 €
AE 6-90	561.7001.000	3,367.36 €	4,007.16 €
AE 6-100	561.8001.000	3,427.75 €	4,079.02 €
AE 10-30	564.1001.000	3,322.74 €	3,954.06 €
AE 10-40	564.2001.000	3,530.61 €	4,201.43 €
AE 10-50	564.3001.000	3,904.72 €	4,646.62 €
AE 10-60	564.4001.000	3,993.91 €	4,752.75 €
AE 10-70	564.5001.000	4,483.60 €	5,335.48 €
AE 10-80	564.6001.000	4,574.52 €	5,443.68 €
AE 10-90	561.1009.500	4,670.46 €	5,557.85 €
AE 10-100	561.1010.500	4,719.95 €	5,616.74 €
AE 15-20	565.0001.000	3,816.80 €	4,541.99 €
AE 15-30	565.1001.000	4,316.73 €	5,136.91 €
AE 15-40	565.2001.000	4,468.34 €	5,317.32 €
AE 15-50	565.3001.000	5,032.45 €	5,988.62 €
AE 15-60	565.4001.000	5,975.45 €	7,110.79 €
AE 15-70	565.5001.000	6,160.83 €	7,331.39 €
AE 15-80	565.6001.000	7,115.71 €	8,467.69 €
AE 15-90	561.1509.500	7,267.81 €	8,648.69 €
AE 15-100	565.7001.000	7,414.90 €	8,823.73 €
AE 25-30	561.2503.500	6,484.13 €	7,716.11 €
AE 25-40	561.2504.500	6,983.96 €	8,310.91 €
AE 25-50	561.2505.500	8,635.41 €	10,276.14 €
AE 25-60	561.2506.500	9,014.53 €	10,727.29 €
AE 25-70	561.2507.500	9,735.80 €	11,585.60 €
Commissioning (Net)	INBK02	550.00 €	654.50 €

Dimensions





## Dimensions

Type	A	A1	B	B1	D	H
A/AE 2-30	754	684	440	326	110	560
A/AE 2-40	754	684	440	326	110	585
A/AE 2-50	754	684	440	324	110	605
A/AE 2-60	754	684	440	324	110	650
A/AE 2-70	754	684	440	323	110	670
A/AE 2-80	754	684	440	323	110	700
A/AE 2-90	754	684	440	333	110	715
A/AE 2-100	754	684	440	333	110	735
A/AE 4-30	754	684	440	392	110	585
A/AE 4-40	754	684	440	392	110	605
A/AE 4-50	754	684	440	340	110	630
A/AE 4-60	754	684	440	340	110	680
A/AE 4-70	754	684	440	340	110	700
A/AE 4-80	754	684	440	359	110	750
A/AE 4-90	754	684	440	359	110	770
A/AE 4-100	754	684	440	359	110	795
A/AE 6-30	754	699	440	341	110	595
A/AE 6-40	754	699	440	341	110	650
A/AE 6-50	754	699	440	332	110	675
A/AE 6-60	754	699	440	332	110	730
A/AE 6-70	754	699	440	360	110	755
A/AE 6-80	754	699	440	360	110	805
A/AE 6-90	754	699	440	360	110	830
A/AE 6-100	754	699	440	360	110	855
A/AE 10-30	878	790	496	385	140	700
A/AE 10-40	878	790	496	405	140	750
A/AE 10-50	878	790	496	405	140	805
A/AE 10-60	878	790	496	405	140	830
A/AE 10-70	878	790	496	413	140	875
A/AE 10-80	878	790	496	413	140	905
A/AE 10-90	878	790	496	436	140	960
A/AE 10-100	878	790	496	436	140	985
A/AE 15-20	1016	962	496	474	150	724
A/AE 15-30	1016	962	496	489	150	811
A/AE 15-40	1016	962	496	510	150	891
A/AE 15-50	1016	962	496	531	150	1090
A/AE 15-60	1016	962	496	531	150	1130
A/AE 15-70	1016	962	496	531	150	1170
A/AE 15-80	1016	962	496	555	150	1330
A/AE 15-90	1016	962	496	555	150	1385
A/AE 15-100	1016	962	496	555	150	1420
A/AE 25-30	873	873	573	531	190	1151
A/AE 25-40	873	873	573	531	190	1216
A/AE 25-50	873	873	573	555	190	1412
A/AE 25-60	873	873	573	555	190	1477
A/AE 25-70	873	873	573	555	190	1542

# MULTICELL



## Pressure boosting units

### Field of application

- > Drinking water supply
- > Industrial water supply
- > Process water supply
- > Air conditioning units
- > Irrigation

### Design

With 2 to 6 non-self-priming, staged centrifugal pumps and speed regulation for each pump (frequency converter), according to DIN 1988-500.

### Motor

Protection class: ..... IP 55  
Class of insulation: ..... F  
Voltage: ..... 3~ 230/400 V  $\pm$  10 %  
Speed: ..... 2850 min<sup>-1</sup>  
Frequency: ..... 50 Hz

### Special editions

- > Special voltages
- > Special elastomers
- > Special mechanical seals
- > Higher fluid temperatures
- > Larger units

### Technical data

Flow rate: ..... Q bis max. 960 m<sup>3</sup>/h  
Total dynamic head: ..... H bis max. 250 m  
Fluid temperature: ..... t bis max. 50 °C  
Operating pressure: ..... p bis max. 16/25 bar

### Pumped fluid

Drinking water.  
Clear, moderately aggressive fluids, which don't chemically and mechanically attack the pump materials.

### Materials used

Pump housing: ..... stainless steel AISI 304  
Impellers: ..... stainless steel AISI 304  
O-rings: ..... EPDM  
Pump shaft: ..... stainless steel AISI 304  
Mechanical seal: ..... carbon/SiC/EPDM  
Fittings: ..... copper alloy  
Pipework: ..... stainless steel AISI 316 Ti  
Base frame: ..... stainless steel AISI 304

### Typenschlüssel

#### Multicell SFE 3/4-70

Multicell: ..... unit type  
SFE: ..... frequency controlled  
3: ..... number of pumps  
4: ..... pump size  
70: ..... number of stages x 10



### Information according to DIN 1988-500:2021-05

The materials that come into contact with drinking water must be hygienically safe and must not impair the quality of the drinking water as specified in the Drinking Water Ordinance.

Pressure boosting units must be configured, operated and maintained in such a way that the permanent operational safety of the drinking water installation is ensured and neither the public water supply nor other consumption systems are negatively affected.

If pressure fluctuations are to be expected on the supply side, where the maximum supply pressure is greater than the regulated pressure of the pressure boosting unit, a pressure reducer must be provided on the inlet side to limit this.

During normal operation, the maximum flow velocity in the connection pipe and the supply line to the pressure boosting unit must not exceed 2 metres per second.

For energy reasons and for reasons of proportionality of maintenance and security of supply during operation, pressure zones (if necessary) should be selected so that no pressure reducers are required. Care must be taken to ensure that the resting pressure of max. 5.0 bar is not exceeded at any tapping point.

For reasons of drinking water hygiene and energy efficiency, the direct connection must be preferred to the indirect connection.

The indirect connection is necessary if:

- The water supplier prescribes the indirect connection due to a minimum supply pressure of less than 1.0 bar
- A higher withdrawal must be accommodated for the short-term
- A system separation is required (see SPECK drinking water separation stations)

Control pressure vessels should be as small as possible. They must have flow through them and be fitted with a shut-off valve with drain for maintenance and inspection.

Pressure boosting units must be equipped with at least one reserve pump. If an operating pump fails, 100 % of the peak flow must be ensured. The requirement for a reserve pump does not apply to small properties (e.g. for residential purposes).

## Technical data

## Multicell SFE 2-30 to 2-100 with 2 to 6 pumps

Type	Pumps		Inlet/outlet connection	Average flow rate (m <sup>3</sup> /h)	Reserve pump (m <sup>3</sup> /h)	Target pressure (bar)	Power output P <sub>2</sub> (kW)	Rated current (A) 3 x 400 V	Approx weight (kg)
	No	Type							
SFE 2/2-30	2	IN-VB 2-30	R 2/R 2	2.50	2.50	1.40	0.37	2 x 0.95	140.00
SFE 2/2-40	2	IN-VB 2-40	R 2/R 2	2.50	2.50	1.80	0.37	2 x 0.95	150.00
SFE 2/2-50	2	IN-VB 2-50	R 2/R 2	2.50	2.50	2.40	0.37	2 x 0.95	155.00
SFE 2/2-60	2	IN-VB 2-60	R 2/R 2	2.50	2.50	2.80	0.55	2 x 1.20	165.00
SFE 2/2-70	2	IN-VB 2-70	R 2/R 2	2.50	2.50	3.40	0.55	2 x 1.20	170.00
SFE 2/2-80	2	IN-VB 2-80	R 2/R 2	2.50	2.50	3.70	0.55	2 x 1.20	180.00
SFE 2/2-90	2	IN-VB 2-90	R 2/R 2	2.50	2.50	4.60	0.75	2 x 1.80	183.00
SFE 2/2-100	2	IN-VB 2-100	R 2/R 2	2.50	2.50	5.20	0.75	2 x 1.80	185.00
SFE 3/2-30	3	IN-VB 2-30	R 2/R 2	5.00	2.50	1.40	0.37	3 x 0.95	180.00
SFE 3/2-40	3	IN-VB 2-40	R 2/R 2	5.00	2.50	1.80	0.37	3 x 0.95	195.00
SFE 3/2-50	3	IN-VB 2-50	R 2/R 2	5.00	2.50	2.40	0.37	3 x 0.95	205.00
SFE 3/2-60	3	IN-VB 2-60	R 2/R 2	5.00	2.50	2.80	0.55	3 x 1.20	225.00
SFE 3/2-70	3	IN-VB 2-70	R 2/R 2	5.00	2.50	3.40	0.55	3 x 1.20	230.00
SFE 3/2-80	3	IN-VB 2-80	R 2/R 2	5.00	2.50	3.70	0.55	3 x 1.20	240.00
SFE 3/2-90	3	IN-VB 2-90	R 2/R 2	5.00	2.50	4.60	0.75	3 x 1.80	243.00
SFE 3/2-100	3	IN-VB 2-100	R 2/R 2	5.00	2.50	5.20	0.75	3 x 1.80	245.00
SFE 4/2-30	4	IN-VB 2-30	DN 65/DN 65	7.50	2.50	1.40	0.37	4 x 0.95	205.00
SFE 4/2-40	4	IN-VB 2-40	DN 65/DN 65	7.50	2.50	1.80	0.37	4 x 0.95	220.00
SFE 4/2-50	4	IN-VB 2-50	DN 65/DN 65	7.50	2.50	2.40	0.37	4 x 0.95	235.00
SFE 4/2-60	4	IN-VB 2-60	DN 65/DN 65	7.50	2.50	2.80	0.55	4 x 1.20	250.00
SFE 4/2-70	4	IN-VB 2-70	DN 65/DN 65	7.50	2.50	3.40	0.55	4 x 1.20	260.00
SFE 4/2-80	4	IN-VB 2-80	DN 65/DN 65	7.50	2.50	3.70	0.55	4 x 1.20	275.00
SFE 4/2-90	4	IN-VB 2-90	DN 65/DN 65	7.50	2.50	4.60	0.75	4 x 1.80	280.00
SFE 4/2-100	4	IN-VB 2-100	DN 65/DN 65	7.50	2.50	5.20	0.75	4 x 1.80	285.00
SFE 5/2-30	5	IN-VB 2-30	DN 80/DN 80	10.00	2.50	1.40	0.37	5 x 0.95	225.00
SFE 5/2-40	5	IN-VB 2-40	DN 80/DN 80	10.00	2.50	1.80	0.37	5 x 0.95	245.00
SFE 5/2-50	5	IN-VB 2-50	DN 80/DN 80	10.00	2.50	2.40	0.37	5 x 0.95	260.00
SFE 5/2-60	5	IN-VB 2-60	DN 80/DN 80	10.00	2.50	2.80	0.55	5 x 1.20	290.00
SFE 5/2-70	5	IN-VB 2-70	DN 80/DN 80	10.00	2.50	3.40	0.55	5 x 1.20	300.00
SFE 5/2-80	5	IN-VB 2-80	DN 80/DN 80	10.00	2.50	3.70	0.55	5 x 1.20	320.00
SFE 5/2-90	5	IN-VB 2-90	DN 80/DN 80	10.00	2.50	4.60	0.75	5 x 1.80	325.00
SFE 5/2-100	5	IN-VB 2-100	DN 80/DN 80	10.00	2.50	5.20	0.75	5 x 1.80	330.00
SFE 6/2-30	6	IN-VB 2-30	DN 80/DN 80	12.50	2.50	1.40	0.37	6 x 0.95	250.00
SFE 6/2-40	6	IN-VB 2-40	DN 80/DN 80	12.50	2.50	1.80	0.37	6 x 0.95	275.00
SFE 6/2-50	6	IN-VB 2-50	DN 80/DN 80	12.50	2.50	2.40	0.37	6 x 0.95	295.00
SFE 6/2-60	6	IN-VB 2-60	DN 80/DN 80	12.50	2.50	2.80	0.55	6 x 1.20	350.00
SFE 6/2-70	6	IN-VB 2-70	DN 80/DN 80	12.50	2.50	3.40	0.55	6 x 1.20	365.00
SFE 6/2-80	6	IN-VB 2-80	DN 80/DN 80	12.50	2.50	3.70	0.55	6 x 1.20	390.00
SFE 6/2-90	6	IN-VB 2-90	DN 80/DN 80	12.50	2.50	4.60	0.75	6 x 1.80	398.00
SFE 6/2-100	6	IN-VB 2-100	DN 80/DN 80	12.50	2.50	5.20	0.75	6 x 1.80	405.00



## Technical data

## Multicell SFE 4-30 to 4-100 with 2 to 6 pumps

Type	Pumps		Inlet/outlet connection	Average flow rate (m <sup>3</sup> /h)	Reserve pump (m <sup>3</sup> /h)	Target pressure (bar)	Power output P <sub>2</sub> (kW)	Rated current (A) 3 x 400 V	Approx weight (kg)
	No	Type							
SFE 2/4-30	2	IN-VB 4-30	R 2/R 2	4.00	4.00	1.90	0.55	2 x 1.20	140.00
SFE 2/4-40	2	IN-VB 4-40	R 2/R 2	4.00	4.00	2.60	0.55	2 x 1.20	150.00
SFE 2/4-50	2	IN-VB 4-50	R 2/R 2	4.00	4.00	3.50	0.75	2 x 1.80	155.00
SFE 2/4-60	2	IN-VB 4-60	R 2/R 2	4.00	4.00	4.30	1.10	2 x 2.30	165.00
SFE 2/4-70	2	IN-VB 4-70	R 2/R 2	4.00	4.00	4.90	1.10	2 x 2.30	170.00
SFE 2/4-80	2	IN-VB 4-80	R 2/R 2	4.00	4.00	5.60	1.50	2 x 3.20	180.00
SFE 2/4-90	2	IN-VB 4-90	R 2/R 2	4.00	4.00	6.40	1.50	2 x 3.20	183.00
SFE 2/4-100	2	IN-VB 4-100	R 2/R 2	4.00	4.00	7.20	1.50	2 x 3.20	185.00
SFE 3/4-30	3	IN-VB 4-30	R 2/R 2	8.00	4.00	1.90	0.55	3 x 1.20	180.00
SFE 3/4-40	3	IN-VB 4-40	R 2/R 2	8.00	4.00	2.60	0.55	3 x 1.20	195.00
SFE 3/4-50	3	IN-VB 4-50	R 2/R 2	8.00	4.00	3.50	0.75	3 x 1.80	205.00
SFE 3/4-60	3	IN-VB 4-60	R 2/R 2	8.00	4.00	4.30	1.10	3 x 2.30	225.00
SFE 3/4-70	3	IN-VB 4-70	R 2/R 2	8.00	4.00	4.90	1.10	3 x 2.30	230.00
SFE 3/4-80	3	IN-VB 4-80	R 2/R 2	8.00	4.00	5.60	1.50	3 x 3.20	240.00
SFE 3/4-90	3	IN-VB 4-90	R 2/R 2	8.00	4.00	6.40	1.50	3 x 3.20	243.00
SFE 3/4-100	3	IN-VB 4-100	R 2/R 2	8.00	4.00	7.20	1.50	3 x 3.20	245.00
SFE 4/4-30	4	IN-VB 4-30	DN 65/DN 65	12.00	4.00	1.90	0.55	4 x 1.20	205.00
SFE 4/4-40	4	IN-VB 4-40	DN 65/DN 65	12.00	4.00	2.60	0.55	4 x 1.20	220.00
SFE 4/4-50	4	IN-VB 4-50	DN 65/DN 65	12.00	4.00	3.50	0.75	4 x 1.80	235.00
SFE 4/4-60	4	IN-VB 4-60	DN 65/DN 65	12.00	4.00	4.30	1.10	4 x 2.30	250.00
SFE 4/4-70	4	IN-VB 4-70	DN 65/DN 65	12.00	4.00	4.90	1.10	4 x 2.30	260.00
SFE 4/4-80	4	IN-VB 4-80	DN 65/DN 65	12.00	4.00	5.60	1.50	4 x 3.20	275.00
SFE 4/4-90	4	IN-VB 4-90	DN 65/DN 65	12.00	4.00	6.40	1.50	4 x 3.20	280.00
SFE 4/4-100	4	IN-VB 4-100	DN 65/DN 65	12.00	4.00	7.20	1.50	4 x 3.20	285.00
SFE 5/4-30	5	IN-VB 4-30	DN 80/DN 80	16.00	4.00	1.90	0.55	5 x 1.20	225.00
SFE 5/4-40	5	IN-VB 4-40	DN 80/DN 80	16.00	4.00	2.60	0.55	5 x 1.20	245.00
SFE 5/4-50	5	IN-VB 4-50	DN 80/DN 80	16.00	4.00	3.50	0.75	5 x 1.80	260.00
SFE 5/4-60	5	IN-VB 4-60	DN 80/DN 80	16.00	4.00	4.30	1.10	5 x 2.30	290.00
SFE 5/4-70	5	IN-VB 4-70	DN 80/DN 80	16.00	4.00	4.90	1.10	5 x 2.30	300.00
SFE 5/4-80	5	IN-VB 4-80	DN 80/DN 80	16.00	4.00	5.60	1.50	5 x 3.20	320.00
SFE 5/4-90	5	IN-VB 4-90	DN 80/DN 80	16.00	4.00	6.40	1.50	5 x 3.20	325.00
SFE 5/4-100	5	IN-VB 4-100	DN 80/DN 80	16.00	4.00	7.20	1.50	5 x 3.20	330.00
SFE 6/4-30	6	IN-VB 4-30	DN 80/DN 80	20.00	4.00	1.90	0.55	6 x 1.20	250.00
SFE 6/4-40	6	IN-VB 4-40	DN 80/DN 80	20.00	4.00	2.60	0.55	6 x 1.20	275.00
SFE 6/4-50	6	IN-VB 4-50	DN 80/DN 80	20.00	4.00	3.50	0.75	6 x 1.80	295.00
SFE 6/4-60	6	IN-VB 4-60	DN 80/DN 80	20.00	4.00	4.30	1.10	6 x 2.30	350.00
SFE 6/4-70	6	IN-VB 4-70	DN 80/DN 80	20.00	4.00	4.90	1.10	6 x 2.30	365.00
SFE 6/4-80	6	IN-VB 4-80	DN 80/DN 80	20.00	4.00	5.60	1.50	6 x 3.20	390.00
SFE 6/4-90	6	IN-VB 4-90	DN 80/DN 80	20.00	4.00	6.40	1.50	6 x 3.20	398.00
SFE 6/4-100	6	IN-VB 4-100	DN 80/DN 80	20.00	4.00	7.20	1.50	6 x 3.20	405.00

## Technical data

## Multicell SFE 6-30 to 6-100 with 2 to 6 pumps

Type	Pumps		Inlet/outlet connection	Average flow rate (m <sup>3</sup> /h)	Reserve pump (m <sup>3</sup> /h)	Target pressure (bar)	Power output P <sub>2</sub> (kW)	Rated current (A) 3 x 400 V	Approx weight (kg)
	No	Type							
SFE 2/6-30	2	IN-VB 6-30	R 2/R 2	6.00	6.00	2.20	0.75	2 x 1.80	145.00
SFE 2/6-40	2	IN-VB 6-40	R 2/R 2	6.00	6.00	2.90	1.10	2 x 2.30	160.00
SFE 2/6-50	2	IN-VB 6-50	R 2/R 2	6.00	6.00	3.70	1.10	2 x 2.30	165.00
SFE 2/6-60	2	IN-VB 6-60	R 2/R 2	6.00	6.00	4.40	1.50	2 x 3.20	170.00
SFE 2/6-70	2	IN-VB 6-70	R 2/R 2	6.00	6.00	5.30	1.50	2 x 3.20	180.00
SFE 2/6-80	2	IN-VB 6-80	R 2/R 2	6.00	6.00	5.90	2.20	2 x 4.60	190.00
SFE 2/6-90	2	IN-VB 6-90	R 2/R 2	6.00	6.00	6.60	2.20	2 x 4.60	193.00
SFE 2/6-100	2	IN-VB 6-100	R 2/R 2	6.00	6.00	7.40	2.20	2 x 4.60	195.00
SFE 3/6-30	3	IN-VB 6-30	R 2/R 2	12.00	6.00	2.20	0.75	3 x 1.80	190.00
SFE 3/6-40	3	IN-VB 6-40	R 2/R 2	12.00	6.00	2.90	1.10	3 x 2.30	210.00
SFE 3/6-50	3	IN-VB 6-50	R 2/R 2	12.00	6.00	3.70	1.10	3 x 2.30	230.00
SFE 3/6-60	3	IN-VB 6-60	R 2/R 2	12.00	6.00	4.40	1.50	3 x 3.20	240.00
SFE 3/6-70	3	IN-VB 6-70	R 2/R 2	12.00	6.00	5.30	1.50	3 x 3.20	255.00
SFE 3/6-80	3	IN-VB 6-80	R 2/R 2	12.00	6.00	5.90	2.20	3 x 4.60	270.00
SFE 3/6-90	3	IN-VB 6-90	R 2/R 2	12.00	6.00	6.60	2.20	3 x 4.60	273.00
SFE 3/6-100	3	IN-VB 6-100	R 2/R 2	12.00	6.00	7.40	2.20	3 x 4.60	275.00
SFE 4/6-30	4	IN-VB 6-30	DN 65/DN 65	18.00	6.00	2.20	0.75	4 x 1.80	225.00
SFE 4/6-40	4	IN-VB 6-40	DN 65/DN 65	18.00	6.00	2.90	1.10	4 x 2.30	240.00
SFE 4/6-50	4	IN-VB 6-50	DN 65/DN 65	18.00	6.00	3.70	1.10	4 x 2.30	255.00
SFE 4/6-60	4	IN-VB 6-60	DN 65/DN 65	18.00	6.00	4.40	1.50	4 x 3.20	270.00
SFE 4/6-70	4	IN-VB 6-70	DN 65/DN 65	18.00	6.00	5.30	1.50	4 x 3.20	280.00
SFE 4/6-80	4	IN-VB 6-80	DN 65/DN 65	18.00	6.00	5.90	2.20	4 x 4.60	295.00
SFE 4/6-90	4	IN-VB 6-90	DN 65/DN 65	18.00	6.00	6.60	2.20	4 x 4.60	300.00
SFE 4/6-100	4	IN-VB 6-100	DN 65/DN 65	18.00	6.00	7.40	2.20	4 x 4.60	305.00
SFE 5/6-30	5	IN-VB 6-30	DN 80/DN 80	24.00	6.00	2.20	0.75	5 x 1.80	250.00
SFE 5/6-40	5	IN-VB 6-40	DN 80/DN 80	24.00	6.00	2.90	1.10	5 x 2.30	270.00
SFE 5/6-50	5	IN-VB 6-50	DN 80/DN 80	24.00	6.00	3.70	1.10	5 x 2.30	285.00
SFE 5/6-60	5	IN-VB 6-60	DN 80/DN 80	24.00	6.00	4.40	1.50	5 x 3.20	315.00
SFE 5/6-70	5	IN-VB 6-70	DN 80/DN 80	24.00	6.00	5.30	1.50	5 x 3.20	325.00
SFE 5/6-80	5	IN-VB 6-80	DN 80/DN 80	24.00	6.00	5.90	2.20	5 x 4.60	345.00
SFE 5/6-90	5	IN-VB 6-90	DN 80/DN 80	24.00	6.00	6.40	2.20	5 x 4.60	350.00
SFE 5/6-100	5	IN-VB 6-100	DN 80/DN 80	24.00	6.00	7.40	2.20	5 x 4.60	355.00
SFE 6/6-30	6	IN-VB 6-30	DN 80/DN 80	30.00	6.00	2.20	0.75	6 x 1.80	280.00
SFE 6/6-40	6	IN-VB 6-40	DN 80/DN 80	30.00	6.00	2.90	1.10	6 x 2.30	305.00
SFE 6/6-50	6	IN-VB 6-50	DN 80/DN 80	30.00	6.00	3.70	1.10	6 x 2.30	325.00
SFE 6/6-60	6	IN-VB 6-60	DN 80/DN 80	30.00	6.00	4.40	1.50	6 x 3.20	380.00
SFE 6/6-70	6	IN-VB 6-70	DN 80/DN 80	30.00	6.00	5.30	1.50	6 x 3.20	395.00
SFE 6/6-80	6	IN-VB 6-80	DN 80/DN 80	30.00	6.00	5.90	2.20	6 x 4.60	420.00
SFE 6/6-90	6	IN-VB 6-90	DN 80/DN 80	30.00	6.00	6.60	2.20	6 x 4.60	428.00
<b>SFE 6/6-100</b>	6	IN-VB 6-100	DN 80/DN 80	30.00	6.00	7.40	2.20	6 x 4.60	435.00





## Technical data

## Multicell SFE 10-30 to 10-100 with 2 to 6 pumps

Type	No	Pumps Type	Inlet/outlet connection	Average flow rate (m <sup>3</sup> /h)	Reserve pump (m <sup>3</sup> /h)	Target pressure (bar)	Power output P <sub>2</sub> (kW)	Rated current (A) 3 x 400 V	Approx weight (kg)
SFE 2/10-30	2	IN-VB 10-30	R 2/R 2	8.00	8.00	2.70	1.10	2 x 2.30	145.00
SFE 2/10-40	2	IN-VB 10-40	R 2/R 2	8.00	8.00	3.70	1.50	2 x 3.20	160.00
SFE 2/10-50	2	IN-VB 10-50	R 2/R 2	8.00	8.00	4.60	2.20	2 x 4.60	165.00
SFE 2/10-60	2	IN-VB 10-60	R 2/R 2	8.00	8.00	5.50	2.20	2 x 4.60	170.00
SFE 2/10-70	2	IN-VB 10-70	R 2/R 2	8.00	8.00	6.60	3.00	2 x 5.80	180.00
SFE 2/10-80	2	IN-VB 10-80	R 2/R 2	8.00	8.00	7.60	3.00	2 x 5.80	190.00
SFE 2/10-90	2	IN-VB 10-90	R 2/R 2	8.00	8.00	8.50	4.00	2 x 7.40	204.00
SFE 2/10-100	2	IN-VB 10-100	R 2/R 2	8.00	8.00	9.50	4.00	2 x 7.40	206.00
SFE 3/10-30	3	IN-VB 10-30	R 2 ½/R 2 ½	16.00	8.00	2.70	1.10	3 x 2.30	190.00
SFE 3/10-40	3	IN-VB 10-40	R 2 ½/R 2 ½	16.00	8.00	3.70	1.50	3 x 3.20	210.00
SFE 3/10-50	3	IN-VB 10-50	R 2 ½/R 2 ½	16.00	8.00	4.60	2.20	3 x 4.60	230.00
SFE 3/10-60	3	IN-VB 10-60	R 2 ½/R 2 ½	16.00	8.00	5.50	2.20	3 x 4.60	240.00
SFE 3/10-70	3	IN-VB 10-70	R 2 ½/R 2 ½	16.00	8.00	6.60	3.00	3 x 5.80	255.00
SFE 3/10-80	3	IN-VB 10-80	R 2 ½/R 2 ½	16.00	8.00	7.60	3.00	3 x 5.80	270.00
SFE 3/10-90	3	IN-VB 10-90	R 2 ½/R 2 ½	16.00	8.00	8.50	4.00	3 x 7.40	291.00
SFE 3/10-100	3	IN-VB 10-100	R 2 ½/R 2 ½	16.00	8.00	9.90	4.00	3 x 7.40	294.00
SFE 4/10-30	4	IN-VB 10-30	DN 80/DN 80	24.00	8.00	2.70	1.10	4 x 2.30	235.00
SFE 4/10-40	4	IN-VB 10-40	DN 80/DN 80	24.00	8.00	3.70	1.50	4 x 3.20	260.00
SFE 4/10-50	4	IN-VB 10-50	DN 80/DN 80	24.00	8.00	4.60	2.20	4 x 4.60	275.00
SFE 4/10-60	4	IN-VB 10-60	DN 80/DN 80	24.00	8.00	5.50	2.20	4 x 4.60	285.00
SFE 4/10-70	4	IN-VB 10-70	DN 80/DN 80	24.00	8.00	6.60	3.00	4 x 5.80	305.00
SFE 4/10-80	4	IN-VB 10-80	DN 80/DN 80	24.00	8.00	7.60	3.00	4 x 5.80	325.00
SFE 4/10-90	4	IN-VB 10-90	DN 80/DN 80	24.00	8.00	8.50	4.00	4 x 7.40	353.00
SFE 4/10-100	4	IN-VB 10-100	DN 80/DN 80	24.00	8.00	9.50	4.00	4 x 7.40	357.00
SFE 5/10-30	5	IN-VB 10-30	DN 100/DN 100	32.00	8.00	2.70	1.10	5 x 2.30	280.00
SFE 5/10-40	5	IN-VB 10-40	DN 100/DN 100	32.00	8.00	3.70	1.50	5 x 3.20	310.00
SFE 5/10-50	5	IN-VB 10-50	DN 100/DN 100	32.00	8.00	4.60	2.20	5 x 4.60	330.00
SFE 5/10-60	5	IN-VB 10-60	DN 100/DN 100	32.00	8.00	5.50	2.20	5 x 4.60	340.00
SFE 5/10-70	5	IN-VB 10-70	DN 100/DN 100	32.00	8.00	6.60	3.00	5 x 5.80	365.00
SFE 5/10-80	5	IN-VB 10-80	DN 100/DN 100	32.00	8.00	7.60	3.00	5 x 5.80	390.00
SFE 5/10-90	5	IN-VB 10-90	DN 100/DN 100	32.00	8.00	8.50	4.00	5 x 7.40	425.00
SFE 5/10-100	5	IN-VB 10-100	DN 100/DN 100	32.00	8.00	9.50	4.00	5 x 7.40	430.00
SFE 6/10-30	6	IN-VB 10-30	DN 100/DN 100	40.00	8.00	2.70	1.10	6 x 2.30	325.00
SFE 6/10-40	6	IN-VB 10-40	DN 100/DN 100	40.00	8.00	3.70	1.50	6 x 3.20	360.00
SFE 6/10-50	6	IN-VB 10-50	DN 100/DN 100	40.00	8.00	4.60	2.20	6 x 4.60	385.00
SFE 6/10-60	6	IN-VB 10-60	DN 100/DN 100	40.00	8.00	5.50	2.20	6 x 4.60	400.00
SFE 6/10-70	6	IN-VB 10-70	DN 100/DN 100	40.00	8.00	6.60	3.00	6 x 5.80	430.00
SFE 6/10-80	6	IN-VB 10-80	DN 100/DN 100	40.00	8.00	7.60	3.00	6 x 5.80	460.00
SFE 6/10-90	6	IN-VB 10-90	DN 100/DN 100	40.00	8.00	8.50	4.00	6 x 7.40	502.00
SFE 6/10-100	6	IN-VB 10-100	DN 100/DN 100	40.00	8.00	9.50	4.00	6 x 7.40	508.00

## Technical data

## Multicell SFE 15-20 to 15-100 with 2 to 6 pumps

Type	Pumps		Inlet/outlet connection	Average flow rate (m <sup>3</sup> /h)	Reserve pump (m <sup>3</sup> /h)	Target pressure (bar)	Power output P <sub>2</sub> (kW)	Rated current (A) 3 x 400 V	Approx weight (kg)
	No	Type							
SFE 2/15-20	2	IN-VC 15-20	DN 80/DN 80	15.00	15.00	2.50	2.20	2 x 4.60	195.00
SFE 2/15-30	2	IN-VC 15-30	DN 80/DN 80	15.00	15.00	3.80	3.00	2 x 5.80	210.00
SFE 2/15-40	2	IN-VC 15-40	DN 80/DN 80	15.00	15.00	5.10	4.00	2 x 7.40	225.00
SFE 2/15-50	2	IN-VC 15-50	DN 80/DN 80	15.00	15.00	6.50	5.50	2 x 10.00	305.00
SFE 2/15-60	2	IN-VC 15-60	DN 80/DN 80	15.00	15.00	7.80	7.50	2 x 13.30	310.00
SFE 2/15-70	2	IN-VC 15-70	DN 80/DN 80	15.00	15.00	9.10	7.50	2 x 13.30	315.00
SFE 2/15-80	2	IN-VC 15-80	DN 80/DN 80	15.00	15.00	10.40	11.00	2 x 19.30	320.00
SFE 2/15-90	2	IN-VC 15-90	DN 80/DN 80	15.00	15.00	11.70	11.00	2 x 19.30	470.00
SFE 2/15-100	2	IN-VC 15-100	DN 80/DN 80	15.00	15.00	13.00	11.00	2 x 19.30	475.00
SFE 3/15-20	3	IN-VC 15-20	DN 100/DN 100	30.00	15.00	2.50	2.20	3 x 4.60	270.00
SFE 3/15-30	3	IN-VC 15-30	DN 100/DN 100	30.00	15.00	3.80	3.00	3 x 5.80	300.00
SFE 3/15-40	3	IN-VC 15-40	DN 100/DN 100	30.00	15.00	5.10	4.00	3 x 7.40	315.00
SFE 3/15-50	3	IN-VC 15-50	DN 100/DN 100	30.00	15.00	6.50	5.50	3 x 10.00	430.00
SFE 3/15-60	3	IN-VC 15-60	DN 100/DN 100	30.00	15.00	7.80	7.50	3 x 13.30	435.00
SFE 3/15-70	3	IN-VC 15-70	DN 100/DN 100	30.00	15.00	9.10	7.50	3 x 13.30	450.00
SFE 3/15-80	3	IN-VC 15-80	DN 100/DN 100	30.00	15.00	10.40	11.00	3 x 19.30	680.00
SFE 3/15-90	3	IN-VC 15-90	DN 100/DN 100	30.00	15.00	11.70	11.00	3 x 19.30	685.00
SFE 3/15-100	3	IN-VC 15-100	DN 100/DN 100	30.00	15.00	13.00	11.00	3 x 19.30	690.00
SFE 4/15-20	4	IN-VC 15-20	DN 100/DN 100	45.00	15.00	2.50	2.20	4 x 4.60	350.00
SFE 4/15-30	4	IN-VC 15-30	DN 100/DN 100	45.00	15.00	3.80	3.00	4 x 5.80	385.00
SFE 4/15-40	4	IN-VC 15-40	DN 100/DN 100	45.00	15.00	5.10	4.00	4 x 7.40	410.00
SFE 4/15-50	4	IN-VC 15-50	DN 100/DN 100	45.00	15.00	6.50	5.50	4 x 10.00	565.00
SFE 4/15-60	4	IN-VC 15-60	DN 100/DN 100	45.00	15.00	7.80	7.50	4 x 13.30	570.00
SFE 4/15-70	4	IN-VC 15-70	DN 100/DN 100	45.00	15.00	9.10	7.50	4 x 13.30	590.00
SFE 4/15-80	4	IN-VC 15-80	DN 100/DN 100	45.00	15.00	10.40	11.00	4 x 19.30	900.00
SFE 4/15-90	4	IN-VC 15-90	DN 100/DN 100	45.00	15.00	11.70	11.00	4 x 19.30	905.00
SFE 4/15-100	4	IN-VC 15-100	DN 100/DN 100	45.00	15.00	13.00	11.00	4 x 19.30	910.00
SFE 5/15-20	5	IN-VC 15-20	DN 125/DN 125	60.00	15.00	2.50	2.20	5 x 4.60	425.00
SFE 5/15-30	5	IN-VC 15-30	DN 125/DN 125	60.00	15.00	3.80	3.00	5 x 5.80	470.00
SFE 5/15-40	5	IN-VC 15-40	DN 125/DN 125	60.00	15.00	5.10	4.00	5 x 7.40	505.00
SFE 5/15-50	5	IN-VC 15-50	DN 125/DN 125	60.00	15.00	6.50	5.50	5 x 10.00	695.00
SFE 5/15-60	5	IN-VC 15-60	DN 125/DN 125	60.00	15.00	7.80	7.50	5 x 13.30	700.00
SFE 5/15-70	5	IN-VC 15-70	DN 125/DN 125	60.00	15.00	9.10	7.50	5 x 13.30	725.00
SFE 5/15-80	5	IN-VC 15-80	DN 125/DN 125	60.00	15.00	10.40	11.00	5 x 19.30	1100.00
SFE 5/15-90	5	IN-VC 15-90	DN 125/DN 125	60.00	15.00	11.70	11.00	5 x 19.30	1120.00
SFE 5/15-100	5	IN-VC 15-100	DN 125/DN 125	60.00	15.00	13.00	11.00	5 x 19.30	1125.00
SFE 6/15-20	6	IN-VC 15-20	DN 150/DN 150	75.00	15.00	2.50	2.20	6 x 4.60	505.00
SFE 6/15-30	6	IN-VC 15-30	DN 150/DN 150	75.00	15.00	3.80	3.00	6 x 5.80	555.00
SFE 6/15-40	6	IN-VC 15-40	DN 150/DN 150	75.00	15.00	5.10	4.00	6 x 7.40	590.00
SFE 6/15-50	6	IN-VC 15-50	DN 150/DN 150	75.00	15.00	6.50	5.50	6 x 10.00	825.00
SFE 6/15-60	6	IN-VC 15-60	DN 150/DN 150	75.00	15.00	7.80	7.50	6 x 13.30	830.00
SFE 6/15-70	6	IN-VC 15-70	DN 150/DN 150	75.00	15.00	9.10	7.50	6 x 13.30	860.00
SFE 6/15-80	6	IN-VC 15-80	DN 150/DN 150	75.00	15.00	10.40	11.00	6 x 19.30	1330.00
SFE 6/15-90	6	IN-VC 15-90	DN 150/DN 150	75.00	15.00	11.70	11.00	6 x 19.30	1335.00
SFE 6/15-100	6	IN-VC 15-100	DN 150/DN 150	75.00	15.00	13.00	11.00	6 x 19.30	1340.00



## Technical data

## Multicell SFE 25-20 to 85-40 with 2-4 pumps

Type	Pumps		Inlet/outlet connection	Average flow rate (m³/h)	Reserve pump (m³/h)	Target pressure (bar)	Power output P <sub>2</sub> (kW)	Rated current (A) 3 x 400 V	Approx weight (kg)
	Anzahl	Type							
SFE 2/25-20	2	IN-VB 25-20	DN100/DN100	25.00	25.00	3.20	4.00	2 x 7.40	320.00
SFE 2/25-30	2	IN-VB 25-30	DN100/DN100	25.00	25.00	5.00	5.50	2 x 10.00	378.00
SFE 2/25-40	2	IN-VB 25-40	DN100/DN100	25.00	25.00	6.80	7.50	2 x 13.30	392.00
SFE 2/25-50	2	IN-VB 25-50	DN100/DN100	25.00	25.00	8.40	11.00	2 x 19.30	556.00
SFE 3/25-20	3	IN-VB 25-20	DN100/DN100	50.00	25.00	3.20	4.00	3 x 7.40	455.00
SFE 3/25-30	3	IN-VB 25-30	DN100/DN100	50.00	25.00	5.00	5.50	3 x 10.00	542.00
SFE 3/25-40	3	IN-VB 25-40	DN100/DN100	50.00	25.00	6.80	7.50	3 x 13.30	563.00
SFE 3/25-50	3	IN-VB 25-50	DN100/DN100	50.00	25.00	8.40	11.00	3 x 19.30	809.00
SFE 4/25-20	4	IN-VB 25-20	DN125/DN125	75.00	25.00	3.20	4.00	4 x 7.40	590.00
SFE 4/25-30	4	IN-VB 25-30	DN125/DN125	75.00	25.00	5.00	5.50	4 x 10.00	706.00
SFE 4/25-40	4	IN-VB 25-40	DN125/DN125	75.00	25.00	6.80	7.50	4 x 13.30	734.00
SFE 4/25-50	4	IN-VB 25-50	DN125/DN125	75.00	25.00	8.40	11.00	4 x 19.30	1062.00
SFE 2/40-20-2	2	IN-VB 40-20-2	DN100/DN100	40.00	40.00	3.90	5.50	2 x 10.00	433.00
SFE 2/40-20	2	IN-VB 40-20	DN100/DN100	40.00	40.00	4.10	7.50	2 x 13.30	441.00
SFE 2/40-30-2	2	IN-VB 40-30-2	DN100/DN100	40.00	40.00	5.00	11.00	2 x 19.30	603.00
SFE 2/40-30	2	IN-VB 40-30	DN100/DN100	40.00	40.00	6.20	11.00	2 x 19.30	603.00
SFE 2/40-40-2	2	IN-VB 40-40-2	DN100/DN100	40.00	40.00	7.10	15.00	2 x 26.20	635.00
SFE 2/40-40	2	IN-VB 40-40	DN100/DN100	40.00	40.00	8.30	15.00	2 x 26.20	635.00
SFE 2/40-50-2	2	IN-VB 40-50-2	DN100/DN100	40.00	40.00	9.20	18.50	2 x 32.10	697.00
SFE 2/40-50	2	IN-VB 40-50	DN100/DN100	40.00	40.00	10.30	18.50	2 x 32.10	697.00
SFE 3/40-20-2	3	IN-VB 40-20-2	DN200/DN200	80.00	40.00	3.90	5.50	3 x 10.00	637.00
SFE 3/40-20	3	IN-VB 40-20	DN200/DN200	80.00	40.00	4.10	7.50	3 x 13.30	649.00
SFE 3/40-30-2	3	IN-VB 40-30-2	DN200/DN200	80.00	40.00	5.00	11.00	3 x 19.30	892.00
SFE 3/40-30	3	IN-VB 40-30	DN200/DN200	80.00	40.00	6.20	11.00	3 x 19.30	892.00
SFE 3/40-40-2	3	IN-VB 40-40-2	DN200/DN200	80.00	40.00	7.10	15.00	3 x 26.20	940.00
SFE 3/40-40	3	IN-VB 40-40	DN200/DN200	80.00	40.00	8.30	15.00	3 x 26.20	940.00
SFE 3/40-50-2	3	IN-VB 40-50-2	DN200/DN200	80.00	40.00	9.20	18.50	3 x 32.10	1033.00
SFE 3/40-50	3	IN-VB 40-50	DN200/DN200	80.00	40.00	10.30	18.50	3 x 32.10	1033.00
SFE 2/60-20-2	2	IN-VB 60-20-2	DN200/DN200	60.00	60.00	2.90	7.50	2 x 13.30	501.00
SFE 2/60-20	2	IN-VB 60-20	DN200/DN200	60.00	60.00	4.20	11.00	2 x 19.30	655.00
SFE 2/60-30-2	2	IN-VB 60-30-2	DN200/DN200	60.00	60.00	5.00	15.00	2 x 26.20	681.00
SFE 2/60-30	2	IN-VB 60-30	DN200/DN200	60.00	60.00	6.30	18.50	2 x 32.10	715.00
SFE 2/60-40-2	2	IN-VB 60-40-2	DN200/DN200	60.00	60.00	7.10	18.50	2 x 32.10	727.00
SFE 2/60-40	2	IN-VB 60-40	DN200/DN200	60.00	60.00	8.40	22.00	2 x 38.10	799.00
SFE 2/60-50-2	2	IN-VB 60-50-2	DN200/DN200	60.00	60.00	9.20	22.00	2 x 38.10	825.00
SFE 3/60-20	3	IN-VB 60-20	DN200/DN200	120.00	60.00	2.90	7.50	3 x 13.30	920.00
SFE 3/60-20-2	3	IN-VB 60-20-2	DN200/DN200	120.00	60.00	4.20	11.00	3 x 19.30	689.00
SFE 3/60-30-2	3	IN-VB 60-30-2	DN200/DN200	120.00	60.00	5.00	15.00	3 x 26.20	959.00
SFE 3/60-30	3	IN-VB 60-30	DN200/DN200	120.00	60.00	6.30	18.50	3 x 32.10	1010.00
SFE 3/60-40-2	3	IN-VB 60-40-2	DN200/DN200	120.00	60.00	7.10	18.50	3 x 32.10	1028.00
SFE 3/60-40	3	IN-VB 60-40	DN200/DN200	120.00	60.00	8.40	22.00	3 x 38.10	1136.00
SFE 3/60-50-2	3	IN-VB 60-50-2	DN200/DN200	120.00	60.00	9.20	22.00	3 x 38.10	1175.00
SFE 2/85-20-2	2	IN-VB 85-20-2	DN200/DN200	85.00	85.00	3.10	11.00	2 x 19.30	691.00
SFE 2/85-20	2	IN-VB 85-20	DN200/DN200	85.00	85.00	4.30	15.00	2 x 26.20	703.00
SFE 2/85-30-2	2	IN-VB 85-30-2	DN200/DN200	85.00	85.00	5.20	18.50	2 x 32.10	751.00
SFE 2/85-30	2	IN-VB 85-30	DN200/DN200	85.00	85.00	6.50	22.00	2 x 38.10	823.00
SFE 2/85-40	2	IN-VB 85-40	DN200/DN200	85.00	85.00	8.70	30.00	2 x 51.60	1027.00
SFE 3/85-20-2	3	IN-VB 85-20-2	DN200/DN200	170.00	85.00	3.10	11.00	3 x 19.30	974.00
SFE 3/85-20	3	IN-VB 85-20	DN200/DN200	170.00	85.00	4.30	15.00	3 x 26.20	992.00
SFE 3/85-30-2	3	IN-VB 85-30-2	DN200/DN200	170.00	85.00	5.20	18.50	3 x 32.10	1064.00
SFE 3/85-30	3	IN-VB 85-30	DN200/DN200	170.00	85.00	6.50	22.00	3 x 38.10	1172.00
SFE 3/85-40	3	IN-VB 85-40	DN200/DN200	170.00	85.00	8.70	30.00	3 x 51.60	1478.00

## Order information

## Multicell SFE 2-30 to 2-100 with 2 to 6 pumps

Type	Article no.	Net RRP	Gross RRP
SFE 2/2-30	562.2031.000	9,269.88 €	11,031.16 €
SFE 2/2-40	562.2041.000	9,314.87 €	11,084.70 €
SFE 2/2-50	562.2051.000	9,351.29 €	11,128.04 €
SFE 2/2-60	562.2061.000	9,566.56 €	11,384.21 €
SFE 2/2-70	562.2071.000	9,680.10 €	11,519.32 €
SFE 2/2-80	562.2081.000	9,797.91 €	11,659.51 €
SFE 2/2-90	562.2091.000	9,948.93 €	11,839.23 €
SFE 2/2-100	562.2101.000	10,106.38 €	12,026.59 €
SFE 3/2-30	563.2031.000	11,859.68 €	14,113.02 €
SFE 3/2-40	563.2041.000	11,922.86 €	14,188.20 €
SFE 3/2-50	563.2051.000	11,979.65 €	14,255.78 €
SFE 3/2-60	563.2061.000	12,305.24 €	14,643.24 €
SFE 3/2-70	563.2071.000	12,556.93 €	14,942.75 €
SFE 3/2-80	563.2081.000	12,817.21 €	15,252.48 €
SFE 3/2-90	563.2091.000	12,860.05 €	15,303.46 €
SFE 3/2-100	563.2101.000	13,116.01 €	15,608.05 €
SFE 4/2-30	564.2031.000	15,701.52 €	18,684.81 €
SFE 4/2-40	564.2041.000	15,786.13 €	18,785.49 €
SFE 4/2-50	564.2051.000	15,867.53 €	18,882.36 €
SFE 4/2-60	564.2061.000	16,317.38 €	19,417.68 €
SFE 4/2-70	564.2071.000	16,657.98 €	19,823.00 €
SFE 4/2-80	564.2081.000	17,030.69 €	20,266.52 €
SFE 4/2-90	564.2091.000	17,072.46 €	20,316.23 €
SFE 4/2-100	564.2101.000	17,444.10 €	20,758.48 €
SFE 5/2-30	565.0203.500	19,401.99 €	23,088.37 €
SFE 5/2-40	565.0204.500	19,483.36 €	23,185.20 €
SFE 5/2-50	565.0205.500	20,274.87 €	24,127.10 €
SFE 5/2-60	565.0206.500	20,536.37 €	24,438.28 €
SFE 5/2-70	565.0207.500	20,647.62 €	24,570.67 €
SFE 5/2-80	565.0208.500	20,689.36 €	24,620.34 €
SFE 5/2-90	565.0209.500	21,150.08 €	25,168.60 €
SFE 5/2-100	565.0210.500	22,104.68 €	26,304.57 €
SFE 6/2-30	566.0203.500	25,012.47 €	29,764.84 €
SFE 6/2-40	566.0204.500	25,092.81 €	29,860.44 €
SFE 6/2-50	566.0205.500	25,884.30 €	30,802.32 €
SFE 6/2-60	566.0206.500	26,145.80 €	31,113.50 €
SFE 6/2-70	566.0207.500	26,255.96 €	31,244.59 €
SFE 6/2-80	566.0208.500	26,296.66 €	31,293.03 €
SFE 6/2-90	566.0209.500	26,759.50 €	31,843.81 €
SFE 6/2-100	566.0210.500	27,914.09 €	33,217.77 €
Commissioning (Net)	INBK02	550.00 €	654.50 €
Maintenance	Wartung02		upon request

## Multicell SFE 4-30 to 4-100 with 2 to 6 pumps

Type	Article no.	Net RRP	Gross RRP
SFE 2/4-30	562.4031.000	9,280.60 €	11,043.91 €
SFE 2/4-40	562.4041.000	9,377.00 €	11,158.63 €
SFE 2/4-50	562.4051.000	9,398.43 €	11,184.13 €
SFE 2/4-60	562.4061.000	9,579.44 €	11,399.53 €
SFE 2/4-70	562.4071.000	10,035.70 €	11,942.48 €
SFE 2/4-80	562.4081.000	10,382.72 €	12,355.44 €
SFE 2/4-90	562.0409.500	10,408.42 €	12,386.02 €
SFE 2/4-100	562.4101.000	10,494.10 €	12,487.98 €
SFE 3/4-30	563.4031.000	11,878.97 €	14,135.97 €
SFE 3/4-40	563.4041.000	12,018.19 €	14,301.65 €
SFE 3/4-50	563.4051.000	12,054.62 €	14,345.00 €
SFE 3/4-60	563.4061.000	12,324.52 €	14,666.18 €
SFE 3/4-70	563.4071.000	13,008.91 €	15,480.60 €
SFE 3/4-80	563.4081.000	13,428.76 €	15,980.22 €
SFE 3/4-90	563.0409.500	13,504.80 €	16,070.71 €
SFE 3/4-100	563.4101.000	13,590.50 €	16,172.70 €
SFE 4/4-30	564.4031.000	15,726.17 €	18,714.14 €
SFE 4/4-40	564.4041.000	15,923.23 €	18,948.64 €
SFE 4/4-50	564.4051.000	15,972.49 €	19,007.26 €
SFE 4/4-60	564.4061.000	16,342.01 €	19,446.99 €
SFE 4/4-70	564.4071.000	17,297.38 €	20,583.88 €
SFE 4/4-80	564.4081.000	17,921.79 €	21,326.93 €
SFE 4/4-90	564.0409.500	18,023.55 €	21,448.02 €
SFE 4/4-100	564.4101.000	18,104.95 €	21,544.89 €
SFE 5/4-30	565.0403.500	19,586.21 €	23,307.59 €
SFE 5/4-40	565.0404.500	19,956.79 €	23,748.58 €
SFE 5/4-50	565.0405.500	20,558.87 €	24,465.06 €
SFE 5/4-60	565.0406.500	20,757.01 €	24,700.84 €
SFE 5/4-70	565.0407.500	21,580.49 €	25,680.78 €
SFE 5/4-80	565.0408.500	21,631.90 €	25,741.96 €
SFE 5/4-90	565.0409.500	21,721.88 €	25,849.04 €
SFE 5/4-100	565.0410.500	22,231.16 €	26,455.08 €
SFE 6/4-30	566.0403.500	25,195.62 €	29,982.79 €
SFE 6/4-40	566.0404.500	25,566.21 €	30,423.79 €
SFE 6/4-50	566.0405.500	26,867.21 €	31,971.98 €
SFE 6/4-60	566.0406.500	27,345.99 €	32,541.73 €
SFE 6/4-70	566.0407.500	27,642.39 €	32,894.44 €
SFE 6/4-80	566.0408.500	28,065.36 €	33,397.78 €
SFE 6/4-90	566.0409.500	28,141.66 €	33,488.58 €
SFE 6/4-100	566.0410.500	28,596.92 €	34,030.33 €
Commissioning (Net)	INBK02	550.00 €	654.50 €
Maintenance	Wartung02		upon request



## Order information

## Multicell SFE 6-30 to 4-100 with 2 to 6 pumps

Type	Article no.	Net RRP	Gross RRP
SFE 2/6-30	562.0603.500	9,646.91 €	11,479.82 €
SFE 2/6-40	562.0604.500	9,879.33 €	11,756.40 €
SFE 2/6-50	562.0605.500	10,050.68 €	11,960.31 €
SFE 2/6-60	562.0606.500	10,865.75 €	12,930.24 €
SFE 2/6-70	562.0607.500	11,039.26 €	13,136.72 €
SFE 2/6-80	562.0608.500	11,787.92 €	14,027.62 €
SFE 2/6-90	562.0609.500	11,959.29 €	14,231.56 €
SFE 2/6-100	562.0610.500	12,132.80 €	14,438.03 €
SFE 3/6-30	563.0603.500	12,426.28 €	14,787.27 €
SFE 3/6-40	563.0604.500	12,776.49 €	15,204.02 €
SFE 3/6-50	563.0605.500	13,033.55 €	15,509.92 €
SFE 3/6-60	563.0606.500	14,154.92 €	16,844.35 €
SFE 3/6-70	563.0607.500	14,416.27 €	17,155.36 €
SFE 3/6-80	563.0608.500	15,519.45 €	18,468.15 €
SFE 3/6-90	563.0609.500	15,775.43 €	18,772.76 €
SFE 3/6-100	563.0610.500	16,036.76 €	19,083.74 €
SFE 4/6-30	564.0603.500	16,467.32 €	19,596.11 €
SFE 4/6-40	564.0604.500	16,942.86 €	20,162.00 €
SFE 4/6-50	564.0605.500	17,283.45 €	20,567.31 €
SFE 4/6-60	564.0606.500	18,890.02 €	22,479.12 €
SFE 4/6-70	564.0607.500	19,235.97 €	22,890.80 €
SFE 4/6-80	564.0608.500	20,765.43 €	24,710.86 €
SFE 4/6-90	564.0609.500	21,103.88 €	25,113.62 €
SFE 4/6-100	564.0610.500	21,451.97 €	25,527.84 €
SFE 5/6-30	565.0603.500	20,551.22 €	24,455.95 €
SFE 5/6-40	565.0604.500	21,294.68 €	25,340.67 €
SFE 5/6-50	565.0605.500	22,110.82 €	26,311.88 €
SFE 5/6-60	565.0606.500	22,144.33 €	26,351.75 €
SFE 5/6-70	565.0607.500	22,716.31 €	27,032.41 €
SFE 5/6-80	565.0608.500	23,713.29 €	28,218.82 €
SFE 5/6-90	565.0609.500	24,061.40 €	28,633.07 €
SFE 5/6-100	565.0610.500	24,590.64 €	29,262.86 €
SFE 6/6-30	566.0603.500	25,903.02 €	30,824.59 €
SFE 6/6-40	566.0604.500	26,161.69 €	31,132.41 €
SFE 6/6-50	566.0605.500	27,721.30 €	32,988.35 €
SFE 6/6-60	566.0606.500	27,953.75 €	33,264.96 €
SFE 6/6-70	566.0607.500	28,024.66 €	33,349.35 €
SFE 6/6-80	566.0608.500	28,669.75 €	34,117.00 €
SFE 6/6-90	566.0609.500	29,200.05 €	34,748.06 €
SFE 6/6-100	566.0610.500	29,542.80 €	35,155.93 €
Commissioning (Net)	INBK02	550.00 €	654.50 €
Maintenance	Wartung02		upon request

## Multicell SFE 10-30 to 10-100 with 2 to 6 pumps

Type	Article no.	Net RRP	Gross RRP
SFE 2/10-30	562.8031.000	10,518.74 €	12,517.30 €
SFE 2/10-40	562.8041.000	11,486.97 €	13,669.49 €
SFE 2/10-50	562.8051.000	12,131.73 €	14,436.76 €
SFE 2/10-60	562.8061.000	12,744.37 €	15,165.80 €
SFE 2/10-70	562.8071.000	13,623.70 €	16,212.20 €
SFE 2/10-80	562.8081.000	13,863.61 €	16,497.70 €
SFE 2/10-90	562.8091.000	14,229.91 €	16,933.59 €
SFE 2/10-100	562.8101.000	14,680.82 €	17,470.18 €
SFE 3/10-30	563.8031.000	13,528.38 €	16,098.77 €
SFE 3/10-40	563.8041.000	15,025.70 €	17,880.58 €
SFE 3/10-50	563.8051.000	15,795.79 €	18,796.99 €
SFE 3/10-60	563.8061.000	15,990.71 €	19,028.94 €
SFE 3/10-70	563.8071.000	16,585.14 €	19,736.32 €
SFE 3/10-80	563.8081.000	16,845.41 €	20,046.04 €
SFE 3/10-90	563.8091.000	19,556.22 €	23,271.90 €
SFE 3/10-100	563.8101.000	19,848.61 €	23,619.85 €
SFE 4/10-30	564.8031.000	18,984.28 €	22,591.29 €
SFE 4/10-40	564.8041.000	21,063.18 €	25,065.18 €
SFE 4/10-50	564.8051.000	22,119.21 €	26,321.86 €
SFE 4/10-60	564.8061.000	22,395.55 €	26,650.70 €
SFE 4/10-70	564.8071.000	23,218.13 €	27,629.57 €
SFE 4/10-80	564.8081.000	23,581.20 €	28,061.63 €
SFE 4/10-90	564.8091.000	26,074.60 €	31,028.77 €
SFE 4/10-100	564.8101.000	26,464.45 €	31,492.70 €
SFE 5/10-30	565.1003.500	25,819.13 €	30,724.76 €
SFE 5/10-40	565.1004.500	26,898.03 €	32,008.66 €
SFE 5/10-50	565.1005.500	28,004.97 €	33,325.91 €
SFE 5/10-60	565.1006.500	28,951.95 €	34,452.82 €
SFE 5/10-70	565.1007.500	30,199.20 €	35,937.05 €
SFE 5/10-80	565.1008.500	31,055.12 €	36,955.59 €
SFE 5/10-90	565.1009.500	33,810.91 €	40,234.98 €
SFE 5/10-100	565.1010.500	34,197.16 €	40,694.62 €
SFE 6/10-30	566.1003.500	28,429.63 €	33,831.26 €
SFE 6/10-40	566.1004.500	29,508.52 €	35,115.14 €
SFE 6/10-50	566.1005.500	29,614.39 €	35,241.12 €
SFE 6/10-60	566.1006.500	31,447.68 €	37,422.74 €
SFE 6/10-70	566.1007.500	31,567.79 €	37,565.67 €
SFE 6/10-80	566.1008.500	32,027.63 €	38,112.88 €
SFE 6/10-90	566.1009.500	35,696.15 €	42,478.42 €
SFE 6/10-100	566.1010.500	37,330.36 €	44,423.13 €
Commissioning (Net)	INBK02	550.00 €	654.50 €
Maintenance	Wartung02		upon request

## Order information

## Multicell SFE 15-20 to 15-100 with 2 to 6 pumps

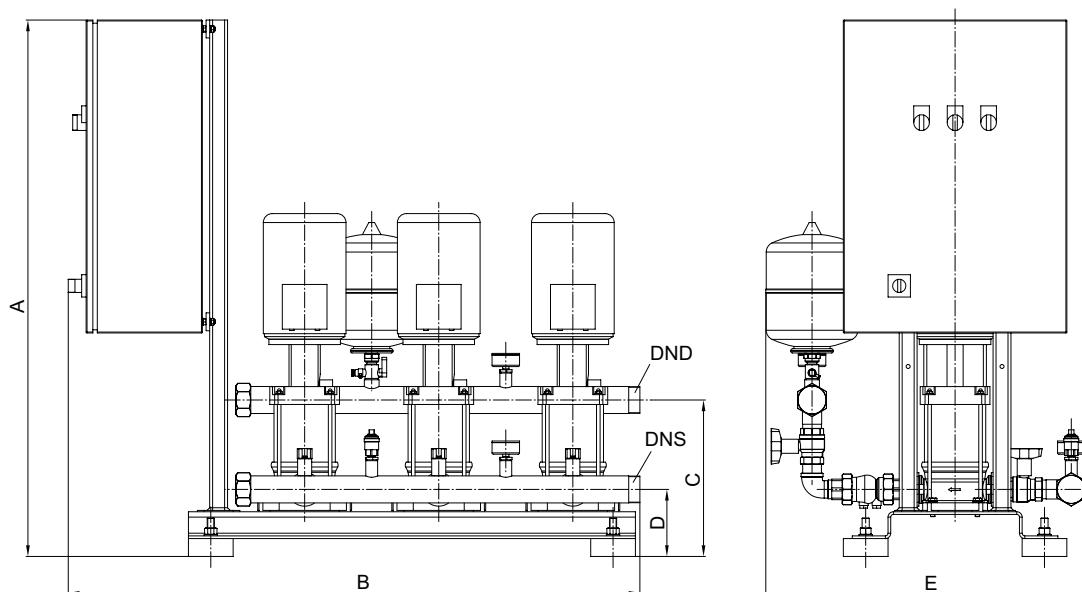
Type	Article no.	Net RRP	Gross RRP
SFE 2/15-20	562.9021.000	13,717.99 €	16,324.41 €
SFE 2/15-30	562.9031.000	14,421.91 €	17,162.07 €
SFE 2/15-40	562.9041.000	15,446.59 €	18,381.44 €
SFE 2/15-50	562.9051.000	17,863.08 €	21,257.07 €
SFE 2/15-60	562.9061.000	18,555.39 €	22,080.91 €
SFE 2/15-70	562.9071.000	19,294.79 €	22,960.80 €
SFE 2/15-80	562.9081.000	20,888.77 €	24,857.64 €
SFE 2/15-90	562.1509.500	21,439.42 €	25,512.91 €
SFE 2/15-100	562.9101.000	21,767.19 €	25,902.96 €
SFE 3/15-20	563.1502.500	19,009.41 €	22,621.20 €
SFE 3/15-30	563.1503.500	19,769.49 €	23,525.69 €
SFE 3/15-40	563.1504.500	21,145.78 €	25,163.48 €
SFE 3/15-50	563.1505.500	24,981.93 €	29,728.50 €
SFE 3/15-60	563.1506.500	26,272.03 €	31,263.72 €
SFE 3/15-70	563.1507.500	27,321.36 €	32,512.42 €
SFE 3/15-80	563.1508.500	29,867.50 €	35,542.33 €
SFE 3/15-90	563.1509.500	31,074.28 €	36,978.39 €
SFE 3/15-100	563.1510.500	31,515.93 €	37,503.96 €
SFE 4/15-20	564.1502.500	24,262.84 €	28,872.78 €
SFE 4/15-30	564.1503.500	25,498.04 €	30,342.67 €
SFE 4/15-40	564.1504.500	27,210.90 €	32,380.97 €
SFE 4/15-50	564.1505.500	30,435.59 €	36,218.35 €
SFE 4/15-60	564.1506.500	32,308.84 €	38,447.52 €
SFE 4/15-70	564.1507.500	33,187.64 €	39,493.29 €
SFE 4/15-80	564.1508.500	36,280.85 €	43,174.21 €
SFE 4/15-90	564.1509.500	38,251.31 €	45,519.06 €
SFE 4/15-100	564.1510.500	38,808.20 €	46,181.76 €
SFE 5/15-20	565.1502.500	29,117.72 €	34,650.09 €
SFE 5/15-30	565.1503.500	31,184.85 €	37,109.97 €
SFE 5/15-40	565.1504.500	33,327.42 €	39,659.63 €
SFE 5/15-50	565.1505.500	38,015.78 €	45,238.78 €
SFE 5/15-60	565.1506.500	39,915.78 €	47,499.78 €
SFE 5/15-70	565.1507.500	41,530.22 €	49,420.96 €
SFE 5/15-80	565.1508.500	46,409.87 €	55,227.75 €
SFE 5/15-90	565.1509.500	47,702.10 €	56,765.50 €
SFE 5/15-100	565.1510.500	48,351.60 €	57,538.40 €
SFE 6/15-20	566.1502.500	35,654.54 €	42,428.90 €
SFE 6/15-30	566.1503.500	38,271.15 €	45,542.67 €
SFE 6/15-40	566.1504.500	41,150.68 €	48,969.31 €
SFE 6/15-50	566.1505.500	45,130.24 €	53,704.99 €
SFE 6/15-60	566.1506.500	47,430.24 €	56,441.99 €
SFE 6/15-70	566.1507.500	49,731.39 €	59,180.35 €
SFE 6/15-80	566.1508.500	54,988.40 €	65,436.20 €
SFE 6/15-90	566.1509.500	56,681.66 €	67,451.18 €
SFE 6/15-100	566.1510.500	57,666.05 €	68,622.60 €
Commissioning (Net)	INBK02	550.00 €	654.50 €
Maintenance	Wartung02		upon request

## Multicell SFE 25-20 to 85-40 with 2 to 4 pumps

Type	Article no.	Net RRP	Gross RRP
SFE 2/25-20	562.2502.500	18,471.05 €	21,980.55 €
SFE 2/25-30	562.2503.500	20,092.93 €	23,910.59 €
SFE 2/25-40	562.2504.500	22,098.88 €	26,297.67 €
SFE 2/25-50	562.2505.500	26,492.05 €	31,525.54 €
SFE 3/25-20	563.2502.500	25,810.29 €	30,714.25 €
SFE 3/25-30	563.2503.500	28,500.55 €	33,915.65 €
SFE 3/25-40	563.2504.500	31,140.33 €	37,056.99 €
SFE 3/25-50	563.2505.500	37,794.68 €	44,975.67 €
SFE 4/25-20	564.2502.501	32,575.73 €	38,765.12 €
SFE 4/25-30	564.2503.500	35,377.58 €	42,099.32 €
SFE 4/25-40	564.2504.500	38,861.95 €	46,245.72 €
SFE 4/25-50	564.2505.500	47,928.20 €	57,034.56 €
SFE 2/40-20-2	562.4002.250	24,589.86 €	29,261.93 €
SFE 2/40-20	562.4002.500	26,883.72 €	31,991.63 €
SFE 2/40-30-2	562.4003.250	29,887.71 €	35,566.37 €
SFE 2/40-30	562.4003.500	30,540.50 €	36,343.20 €
SFE 2/40-40-2	562.4004.250	32,712.73 €	38,928.15 €
SFE 2/40-40	562.4004.500	33,386.73 €	39,730.21 €
SFE 2/40-50-2	562.4005.500	38,111.19 €	45,352.32 €
SFE 2/40-50	562.4005.250	36,376.25 €	43,287.74 €
SFE 3/40-20-2	563.4002.250	36,902.49 €	43,913.96 €
SFE 3/40-20	563.4002.500	37,842.69 €	45,032.80 €
SFE 3/40-30-2	563.4003.250	42,961.35 €	51,124.01 €
SFE 3/40-30	563.4003.500	44,243.61 €	52,649.90 €
SFE 3/40-40-2	563.4004.250	47,570.34 €	56,608.70 €
SFE 3/40-40	563.4004.500	48,501.11 €	57,716.32 €
SFE 3/40-50-2	563.4005.250	52,364.78 €	62,314.09 €
SFE 3/40-50	563.4005.500	54,646.97 €	65,029.89 €
SFE 2/60-20-2	562.6002.250	35,027.39 €	41,682.59 €
SFE 2/60-20	562.6002.500	37,557.72 €	44,693.69 €
SFE 2/60-30-2	562.6003.250	39,554.79 €	47,070.20 €
SFE 2/60-30	562.6003.500	42,552.47 €	50,637.44 €
SFE 2/60-40-2	562.6004.250	43,896.38 €	52,236.69 €
SFE 2/60-40	562.6004.500	47,746.31 €	56,818.11 €
SFE 2/60-50-2	562.6005.250	53,147.21 €	63,245.18 €
SFE 3/60-20	563.6002.500	52,222.51 €	62,144.79 €
SFE 3/60-20-2	563.6002.250	46,642.29 €	55,504.33 €
SFE 3/60-30-2	563.6003.250	54,717.06 €	65,113.30 €
SFE 3/60-30	563.6003.500	58,222.51 €	69,284.79 €
SFE 3/60-40-2	563.6004.250	60,583.37 €	72,094.21 €
SFE 3/60-40	563.6004.500	65,732.82 €	78,222.06 €
SFE 3/60-50-2	563.6005.250	67,968.23 €	80,882.19 €
SFE 2/85-20-2	562.8502.250	44,833.00 €	53,351.27 €
SFE 2/85-20	562.8502.500	49,295.49 €	58,661.63 €
SFE 2/85-30-2	562.8503.250	52,763.81 €	62,788.93 €
SFE 2/85-30	562.8503.500	56,223.61 €	66,906.10 €
SFE 2/85-40	562.8504.500	61,649.95 €	73,363.44 €
SFE 3/85-20-2	563.8502.250	58,896.58 €	70,086.93 €
SFE 3/85-20	563.8502.500	64,950.44 €	77,291.02 €
SFE 3/85-30-2	563.8503.250	68,256.85 €	81,225.65 €
SFE 3/85-30	563.8503.500	73,824.20 €	87,850.80 €
SFE 3/85-40	563.8504.500	79,431.24 €	94,523.18 €
Commissioning (Net)	INBK02	550.00 €	654.50 €
Maintenance	Wartung02		upon request



## Dimensions



### Multicell SFE 2-30 to 2-100

Number of pumps	A	B	C	D	E
2	1200	990	340	150	710
3	1200	1320	350	150	720
4	1200	1730	360	150	780
5	1600	1890	360	150	800
6	1600	2330	360	150	830

### Multicell SFE 4-30 to 4-100 / Multicell SFE 6-30 to 6-100

Number of pumps	A	B	C	D	E
2	1200	990	340	150	710
3	1200	1320	350	150	720
4	1600	1730	360	150	780
5	1600	1890	360	150	800
6	1600	2330	360	150	830

### Multicell SFE 10-30 to 10-100

Number of pumps	A	B	C	D	E
2	1200	1020	410	180	840
3	1600	1320	430	180	850
4	1600	1730	460	180	930
5	1600	1890	460	180	1000
6	1600	2330	460	180	1000

### Multicell SFE 15-30 to 15-100

Number of pumps	A	B	C	D	E
2	1200	1200	450	190	1070
3	1600	1580	470	190	1100
4	1600	1970	470	190	1100
5	1700	2330	480	190	1100
6	1700	3000	510	190	1200

### Multicell SFE 25-20 to 25-50

Number of pumps	A	B	C	D	E
2	1200	1150	205	205	1085
3	1200	1720	205	205	1085
4	1600	2100	205	205	1180

### Multicell SFE 40-20-2 to 40-50

Number of pumps	A	B	C	D	E
2	1200	1220	240	240	1150
3	1600	1700	240	240	1320

### Multicell SFE 60-20-2 to 60-50-2

Number of pumps	A	B	C	D	E
2	1600	1220	240	240	1430
3	1600	1700	240	240	1430

### Multicell SFE 85-20-2 to 85-40

Number of pumps	A	B	C	D	E
2	1600	1220	240	240	1450
3	1600	1700	240	240	1450

Connections seen on the supply line:  
 Inlet right front side, pressure side right back side, switch box left as standard. Modifications possible on request.

## Accessoires

## Aquacell/Multicell

## Dry run protection

Type	Article no.	Weight (kg)	Net RRP	Gross RRP
Float switch with 10 m cable (red)	500.8400.003	5,00	48.20 €	57.36 €
Pressure switch in feed line with pre-pressure over 1 bar	561.9901.300	0,50	252.76 €	300.78 €
Pressure switch in pressure line with pre-pressure below 1 bar	561.9902.300	0,50	252.76 €	300.78 €
Weight for float switch	500.8499.998	0,70	32.22 €	38.34 €

## Diaphragm pressure vessel

PN 10, for drinking water with replaceable diaphragm resistant to food stuffs, preloaded with 4 bar, pressure gauge, filling valve and manufacturer's certificate. Container has additional inner coating. All containers are equipped with dual connections.

Type	Article no.	Volume (l)	max. volume flow (m³/h)	ØD (mm)	H (mm)	Connection (DN)	Weight (kg)	Net RRP	Gross RRP
Refix DT 80	505.4100.080	80	15	480	750	50	23,70	1,098.58 €	1,307.31 €
Refix DT 100	505.4100.100	100	15	480	834	50	26,80	1,164.34 €	1,385.56 €
Refix DT 200	505.4100.200	200	15	634	973	50	53,00	1,874.41 €	2,230.55 €
Refix DT 300	505.4100.300	300	15	634	1273	50	59,00	2,068.05 €	2,460.98 €
Refix DT 400	505.4100.400	400	15	740	1245	50	80,00	2,361.58 €	2,810.28 €
Refix DT 500	505.4100.500	500	15	740	1475	50	88,00	2,493.11 €	2,966.80 €

Type	Article no.	Volume (l)	max. volume flow (m³/h)	ØD (mm)	H (mm)	Connection (DN)	Weight (kg)	Net RRP	Gross RRP
Refix DT 80	505.4100.082	80	27	480	750	65	24.70	1,114.41 €	1,326.15 €
Refix DT 100	505.4100.102	100	27	480	834	65	27.80	1,183.84 €	1,408.77 €
Refix DT 200	505.4100.202	200	27	634	973	65	54.00	1,882.92 €	2,240.67 €
Refix DT 300	505.4100.302	300	27	634	1273	65	60.00	2,079.01 €	2,474.02 €
Refix DT 400	505.4100.402	400	27	740	1245	65	81.00	2,371.32 €	2,821.87 €
Refix DT 500	505.4100.501	500	27	740	1475	65	89.00	2,504.06 €	2,979.83 €

PN 16 on request

## Diaphragm pressure vessel

PN 10, for process and fire extinguishing water with replaceable diaphragm, preloaded with 4 bar, pressure gauge, filling valve and manufacturer's certificate. Container has additional inner coating. No medium flow, no shut-off, no drainage.

Type	Article no.	Volume (l)	ØD (mm)	H (mm)	Connection (G)	Weight (kg)	Net RRP	Gross RRP
Refix DE 80	505.4300.080	80	480	737	1	14.00	506.65 €	602.91 €
Refix DE 100	505.4300.100	100	480	852	1	16.00	557.81 €	663.79 €
Refix DE 200	505.4300.200	200	634	967	1¼	36.50	1,157.04 €	1,376.88 €
Refix DE 300	505.4300.300	300	634	1267	1¼	41.60	1,345.82 €	1,601.53 €
Refix DE 400	505.4300.400	400	740	1245	1¼	74.00	1,686.84 €	2,007.34 €
Refix DE 500	505.4300.500	500	740	1475	1¼	106.00	2,411.51 €	2,869.70 €

PN 16 on request

## Additional cost for pressure boosting unit with flange.

Size (Rp up to DN)	Article no.	Weight (kg)	Net RRP	Gross RRP
1½ auf 40	560.6000.001	0.80	167.10 €	198.85 €
2 auf 50	560.6000.002	1.00	178.80 €	212.77 €
2 ½ auf 65	560.6000.003	1.20	208.43 €	248.03 €





## Accessoires

### Aquacell/Multicell

#### Stainless steel compensator

PN 16, for drinking water, including tie rods.

Size (DN)	Article no.	Construction length (mm)	Weight (kg)	Net RRP	Gross RRP
32	503.5400.032	135	5.00	508.53 €	605.15 €
40	503.5400.040	135	5.50	573.55 €	682.52 €
50	503.5400.050	155	7.10	599.04 €	712.86 €
65	503.5400.065	165	8.60	732.87 €	872.12 €
80	503.5400.080	175	10.20	783.85 €	932.78 €
100	503.5400.100	180	11.50	911.30 €	1,084.45 €
125	503.5400.125	200	16.30	1,051.50 €	1,251.29 €
150	503.5400.150	230	19.30	1,242.68 €	1,478.79 €

#### Pressure reducer

with balanced single-seated valve, built-in dirt trap and transparent strainer cup (design A) or brass strainer cup (design B), housing and screws made from brass. static pressure max. 25 bar, back pressure 1,5 - 6 bar = design A, back pressure 1,5 - 12 bar = design B

Size (R)	Article no.	Design	max. Q (m³/h)	Weight (kg)	Net RRP	Gross RRP
1	504.4100.025	A	4.00	1.30	197.06 €	234.50 €
1	504.4200.025	B	4.00	1.30	296.67 €	353.04 €
1¼	504.4100.032	A	6.00	1.60	291.33 €	346.68 €
1¼	504.4200.032	B	6.00	1.60	418.78 €	498.35 €
1½	504.4100.038	A	9.00	3.20	509.82 €	606.69 €
1½	504.4200.038	B	9.00	3.20	782.94 €	931.70 €
2	504.4100.050	A	12.00	4.40	621.21 €	739.24 €
2	504.4200.050	B	12.00	4.40	837.54 €	996.67 €
<b>Pressure gauge</b>	507.6121.010	R ¼, connection at rear, 0 - 10 bar, Ø 63 mm			8.24 €	9.81 €

#### Feed tank

closed, pressureless and made from polyethylene. incl. Motor ball valve, dry run protection and float switch.

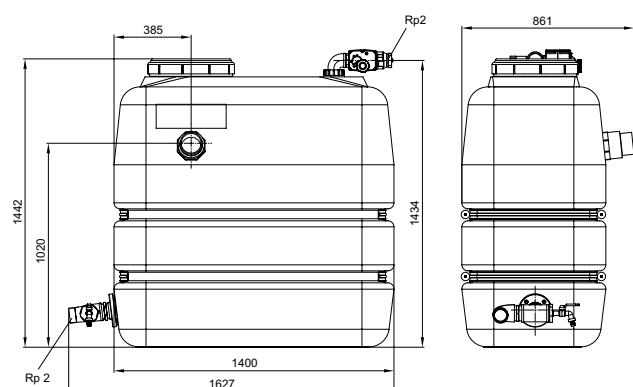
Size (l)	Article no.	Inlet pressure (bar)	Motor ball valve (Rp)	Booster unit connection (Rp)	Weight (kg)	Net RRP	Gross RRP
1100	569.9210.002	1.20 - 6.00	1	2	90.00	4,108.69 €	4,889.34 €
2000	569.9210.000	1.20 - 6.00	1	2	150.00	4,956.16 €	5,897.83 €

#### Control box

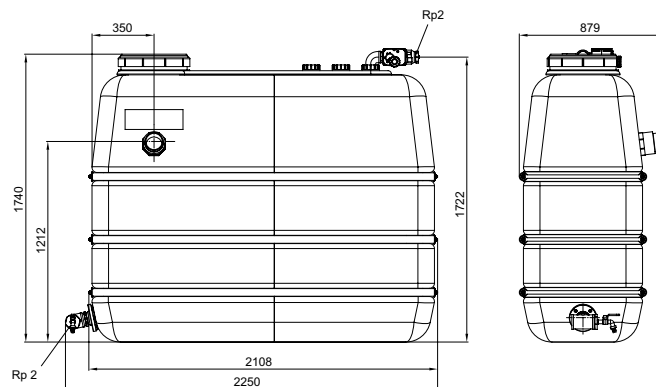
For automatic feed into the supply tank

Type	Article no.	Weight (kg)	Net RRP	Gross RRP
Control box	569.9500.101	2,10	521.63 €	620.74 €

#### Supply tank 1100 L



#### Supply tank 2000 L





# Product overview



## Grid disconnection systems / Drinking water separation stations / Fire extinguishing systems

Separation station/  
Fire extinguishing



### NTA Comfort

Performance: up to 6 m<sup>3</sup>/h

Page 34



### NTA Compact

Performance: up to 12 m<sup>3</sup>/h

Page 36



### NTA Premium

Performance: up to 100 m<sup>3</sup>/h

Page 40



### Feuerzell

Performance: up to 132 m<sup>3</sup>/h

Page 42



### Feuerzell Duo

Performance: up to 132 m<sup>3</sup>/h

Page 42



### Extinguishing water supply accessories

Page 54

# NTA COMFORT

Drinking water separation stations



## Drinking water separation stations

### Field of application

- > Drinking water separation
- > Water supply units
- > Irrigation units
- > Laboratory water supply units

Drinking water mains separation units from the NTA Comfort range prevent the medium from flowing back into the drinking water pipe from domestic water systems connected behind it. Thanks to safety devices in accordance with DIN EN 1717, the drinking water is protected against contamination.

### Design

These units are designed with a 240 litre pressureless storage tank. The compact 750 x 650 mm base ensures space-saving installation. Safe drinking water separation is guaranteed by hygiene compliance according to VDI 6023 as well as safety devices according to DIN EN 1717. The problem-free connection rounds off a compact, ready-to-connect and user-friendly drinking water separation station. A fully automatic frequency-controlled pressure boosting system is also included in the delivery.

### Motor

Protection class: ..... IP 55  
 Class of insulation: ..... F  
 Voltage: ..... 1~ 230 V ± 10 %  
 ..... 3~ 400/230 V ± 10 %  
 Motor speed: ..... 2850 rpm  
 Frequency: ..... 50 Hz

### Technical data

Flow rate: ..... Q up to max. 9 m<sup>3</sup>/h  
 Total dynamic head: ..... H up to max. 65 m  
 Fluid temperature: ..... t up to max. 20 °C  
 Operating pressure: ..... p up to max. 10 bar  
 Inlet pressure (rec.): ..... p min. 1 bar up to max. 6 bar

### Pumped fluid

Clear fluids which don't chemically and mechanically attack the unit materials.

### Materials used

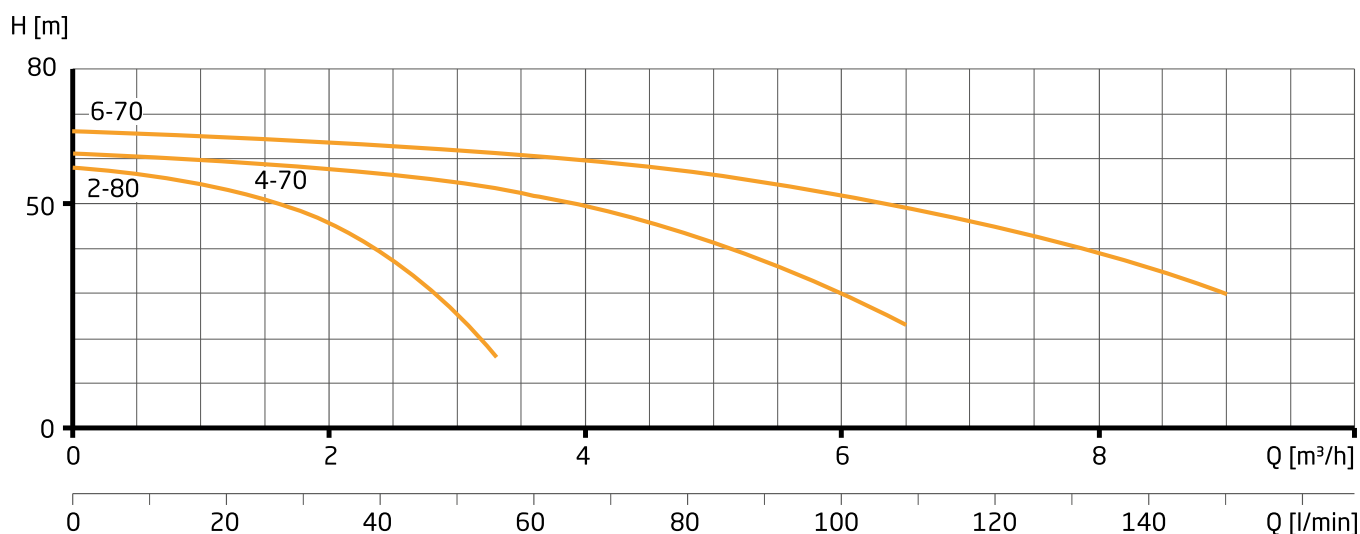
Storage tank: ..... PE  
 Magnetic valve: ..... brass  
 Ball bearing: ..... stainless steel AISI CF8M  
 Pump housing: ..... stainless steel AISI 304  
 Impellers: ..... stainless steel AISI 304  
 O-rings: ..... EPDM  
 Pump shaft: ..... stainless steel AISI 303  
 Mechanical seal: ..... carbon/SiC/EPDM  
 Base frame: ..... copper alloy  
 Piping: ..... stainless steel AISI 316Ti

### Type key

NTA AE-M 4-70/240  
 NTA: ..... unit type  
 AE: ..... frequency-controlled  
 M(T): ..... M = AC  
 ..... T = DC  
 4: ..... pump size  
 70: ..... number of stages x 10  
 240: ..... storage tank dimensions



## Characteristics



Drinking water separation stations

## Technical data

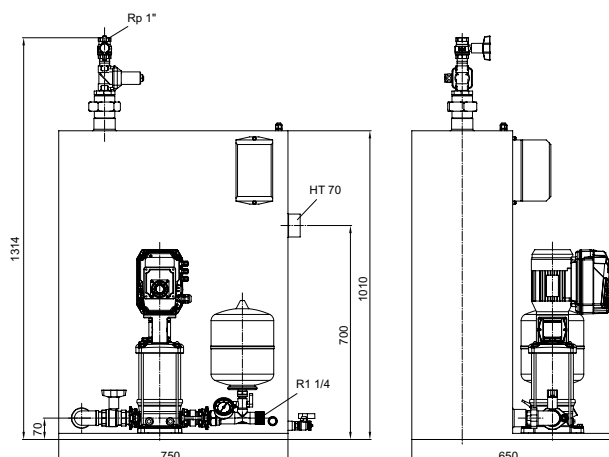
Type	Inlet/pressure connection (Rp/R)	Power output $P_2$ (kW)	Input voltage	Rated current (A) 1 x 230 V	Input voltage	Rated current (A) 3 x 400 V	Approx. Weight (kg)
NTA AE-M 2-80/240	1/1¼	0.55	1~ 230 V	2.10	-	-	78.00
NTA AE-M 4-70/240	1/1¼	1.10	1~ 230 V	4.00	-	-	81.00
NTA AE-M 6-70/240	1/1¼	1.50	1~ 230 V	5.50	-	-	83.00
NTA AE-T 2-80/240	1/1¼	0.55	-	-	3~ 400 V	1.20	78.00
NTA AE-T 4-70/240	1/1¼	1.10	-	-	3~ 400 V	2.30	81.00
NTA AE-T 6-70/240	1/1¼	1.50	-	-	3~ 400 V	3.20	83.00

Required flow pressure at the feed valve at least 1.5 bar for 8.0 m³/h feed volume

## Order information

Type	Article no.	Flow rate (m³/h)	Target pressure (bar)	Net RRP	Gross RRP
NTA AE-M 2-80/240	561.0208.503	2.00	4.00	7,060.37 €	8,401.84 €
NTA AE-M 4-70/240	561.0407.502	4.00	4.00	7,291.77 €	8,677.21 €
NTA AE-M 6-70/240	561.0607.502	6.00	4.00	7,632.80 €	9,083.03 €
NTA AE-T 2-80/240	561.0208.513	2.00	4.00	7,666.90 €	9,123.61 €
NTA AE-T 4-70/240	561.0407.512	4.00	4.00	7,866.64 €	9,361.30 €
NTA AE-T 6-70/240	561.0607.512	6.00	4.00	8,290.49 €	9,865.68 €

## Dimensions



## Your benefits

- > Space-saving 750 x 650 mm base
- > Comfortable Aquacell AE-M (T) pressure boosting system frequency controlled
- > Stainless steel ball valve with DVGW approval
- > Magnetic valve with shock absorber, approved for drinking water
- > Stagnation in the drinking water pipeline is avoided by regular flushing at least every 72 hours
- > Problem-free 230 V connection (at NTA AE-T 400 V)

# NTA COMPACT

Drinking water separation stations



## Drinking water separation stations

### Field of application

- > Drinking water separation
- > Water supply units
- > Irrigation units
- > Laboratory water supply units

Drinking water mains separation units from the NTA Compact range prevent the medium from flowing back into the drinking water pipe from domestic water systems connected behind it. Thanks to safety devices in accordance with DIN EN 1717, the drinking water is protected against contamination.

### Design

These units are designed with a 240 litre pressureless storage tank. The compact 750 x 650 mm base ensures space-saving installation. Safe drinking water separation is guaranteed by hygiene compliance according to VDI 6023 as well as safety devices according to DIN EN 1717. The problem-free connection to the drinking water network as well as the fully automatic function of a pressure boosting system, included in delivery (frequency-controlled for NTA AE), round off a compact, ready-to-connect and user-friendly drinking water separation station.

### Motor

Protection class: ..... IP 55  
Class of insulation: ..... F  
Voltage: ..... 3~ 400/230 V ± 10 %  
Motor speed: ..... 2850 rpm  
Frequency: ..... 50 Hz

### Technical data

Flow rate: ..... Q up to max. 13 m<sup>3</sup>/h  
Total dynamic head: ..... H up to max. 250 m  
Fluid temperature: ..... t up to max. 20 °C  
Operating pressure: ..... p up to max. 25 bar  
Inlet pressure (rec.): ..... p min. 1 bar up to max. 6 bar

### Pumped fluid

Clear fluids which don't chemically and mechanically attack the unit materials.

### Materials used

Storage tank: ..... PE  
Magnetic valve: ..... brass  
Ball bearing: ..... stainless steel AISI CF8M  
Pump housing: ..... stainless steel AISI 304  
Impellers: ..... stainless steel AISI 304  
O-rings: ..... EPDM  
Pump shaft: ..... stainless steel AISI 303  
Mechanical seal: ..... carbon/SiC/EPDM  
Base frame: ..... copper alloy  
Pipework: ..... stainless steel AISI 316Ti

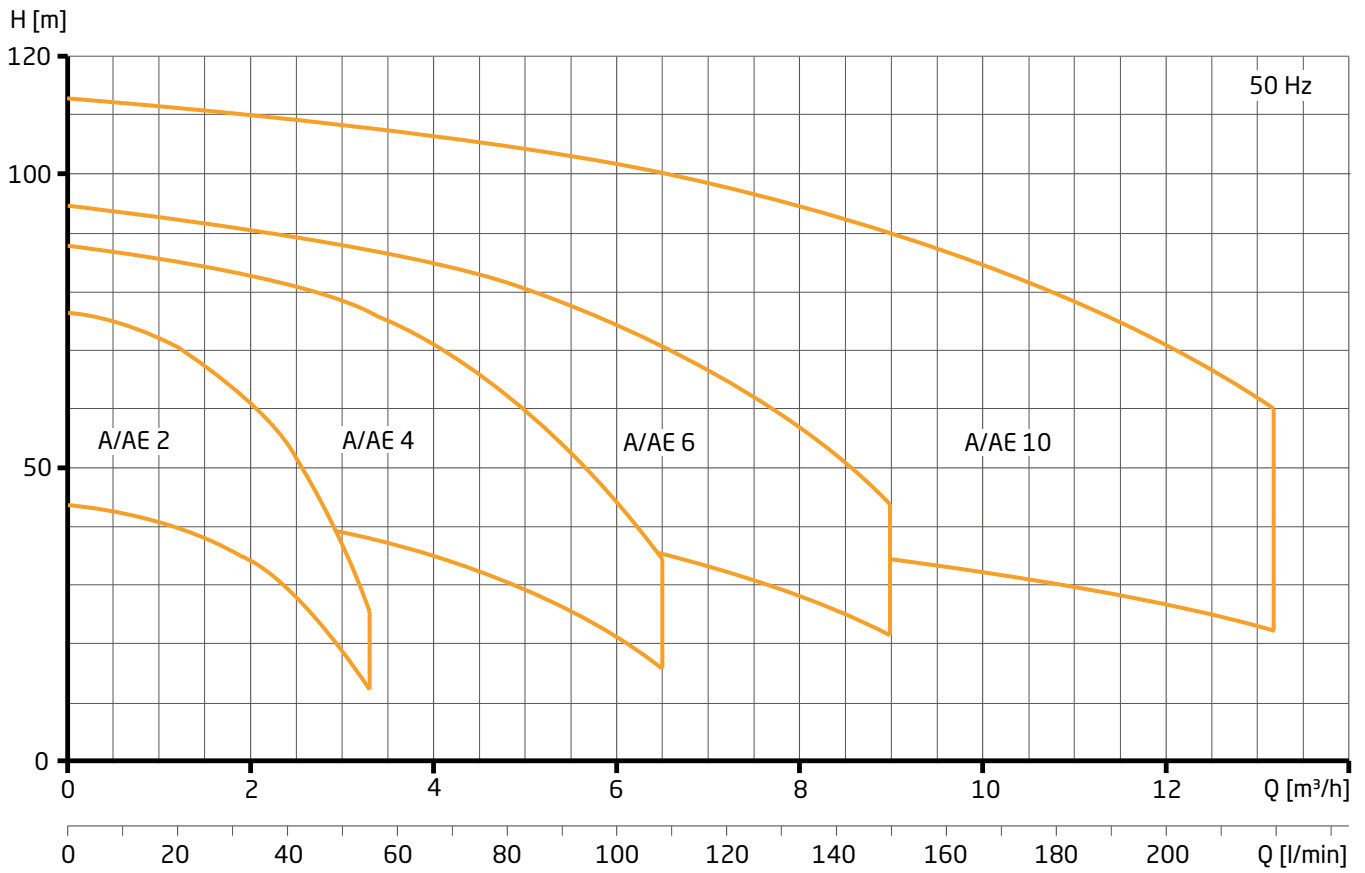
### Type key

#### NTA AE 4-70/240

NTA: ..... unit type  
A: ..... standard  
E: ..... frequency controlled  
4: ..... pump size  
70: ..... number of stages x 10  
240: ..... storage tank dimensions

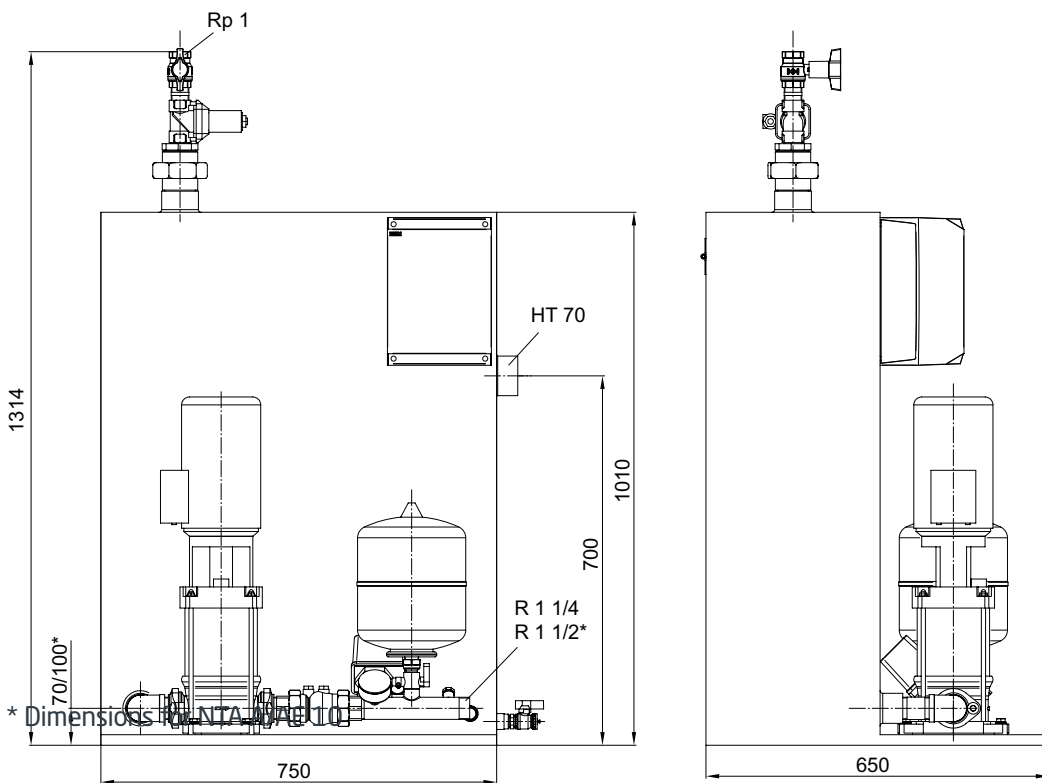


### Characteristics



Drinking water separation stations

### Dimensions



## Technical data

Type	Inlet/pressure connection (Rp/R)	Average flow rate (m <sup>3</sup> /h)	Operating/target pressure (bar)	Power output P <sub>2</sub> A/AE (kW)	Rated current 3 x 400 V A/AE (A)	Approx. Weight v(kg)
NTA A/AE 2-60/240	1/1 ¼	2.50	2.80	0.55/0.75	1.20/1.80	75.00
NTA A/AE 2-70/240	1/1 ¼	2.50	3.40	0.55/0.75	1.20/1.80	75.00
NTA A/AE 2-80/240	1/1 ¼	2.50	3.70	0.55/0.75	1.20/1.80	78.00
NTA A/AE 2-90/240	1/1 ¼	2.50	4.60	0.75/0.75	1.80/1.80	79.00
NTA A/AE 2-100/240	1/1 ¼	2.50	5.20	0.75/0.75	1.80/1.80	79.00
NTA A/AE 4-50/240	1/1 ¼	4.00	3.50	0.75/0.75	1.80/1.80	76.00
NTA A/AE 4-60/240	1/1 ¼	4.00	4.30	1.10/1.10	2.30/2.30	77.00
NTA A/AE 4-70/240	1/1 ¼	4.00	4.90	1.10/1.10	2.30/2.30	77.00
NTA A/AE 4-80/240	1/1 ¼	4.00	5.60	1.50/1.50	3.20/3.20	83.00
NTA A/AE 4-90/240	1/1 ¼	4.00	6.40	1.50/1.50	3.20/3.20	84.00
NTA A/AE 4-100/240	1/1 ¼	4.00	7.20	1.50/1.50	3.20/3.20	84.00
NTA A/AE 6-50/240	1/1 ¼	6.00	3.70	1.10/1.10	2.30/2.30	77.00
NTA A/AE 6-60/240	1/1 ¼	6.00	4.40	1.50/1.50	3.20/3.20	83.00
NTA A/AE 6-70/240	1/1 ¼	6.00	5.30	1.50/1.50	3.20/3.20	83.00
NTA A/AE 6-80/240	1/1 ¼	6.00	5.90	2.20/2.20	4.60/4.60	85.00
NTA A/AE 6-90/240	1/1 ¼	6.00	6.60	2.20/2.20	4.60/4.60	85.00
NTA A/AE 6-100/240	1/1 ¼	6.00	7.40	2.20/2.20	4.60/4.60	86.00
NTA A/AE 10-40/240	1/1 ½	8.00	3.70	1.50/1.50	3.20/3.20	94.00
NTA A/AE 10-50/240	1/1 ½	8.00	4.60	2.20/2.20	4.60/4.60	98.00
NTA A/AE 10-60/240	1/1 ½	8.00	5.50	2.20/2.20	4.60/4.60	100.00
NTA A/AE 10-70/240	1/1 ½	8.00	6.60	3.00/3.00	5.80/5.80	106.00
NTA A/AE 10-80/240	1/1 ½	8.00	7.60	3.00/3.00	5.80/5.80	108.00
NTA A/AE 10-90/240	1/1 ½	8.00	8.50	4.00/4.00	7.40/7.40	115.00
NTA A/AE 10-100/240	1/1 ½	8.00	9.50	4.00/4.00	7.40/7.40	116.00

Required flow pressure at the feed valve at least 2.5 bar for 12.0 m<sup>3</sup>/h feed volume





### Order information

Type	Article no.	Net RRP	Gross RRP
NTA A 2-60/240	561.0206.200	6,986.42 €	8,313.84 €
NTA A 2-70/240	561.0207.200	7,013.21 €	8,345.72 €
NTA A 2-80/240	561.0208.200	7,043.20 €	8,381.41 €
NTA A 2-90/240	561.0209.200	7,081.75 €	8,427.28 €
NTA A 2-100/240	561.0210.200	7,126.75 €	8,480.83 €
NTA A 4-50/240	561.0405.200	7,078.53 €	8,423.45 €
NTA A 4-60/240	561.0406.200	7,148.14 €	8,506.29 €
NTA A 4-70/240	561.0407.200	7,167.44 €	8,529.25 €
NTA A 4-80/240	561.0408.200	7,225.27 €	8,598.07 €
NTA A 4-90/240	561.0409.200	7,360.24 €	8,758.69 €
NTA A 4-100/240	561.0410.200	7,445.91 €	8,860.63 €
NTA A 6-50/240	561.0605.200	7,171.72 €	8,534.35 €
NTA A 6-60/240	561.0606.200	7,328.09 €	8,720.43 €
NTA A 6-70/240	561.0607.200	7,366.64 €	8,766.30 €
NTA A 6-80/240	561.0608.200	7,437.33 €	8,850.42 €
NTA A 6-90/240	561.0609.200	7,505.89 €	8,932.01 €
NTA A 6-100/240	561.0610.200	7,608.71 €	9,054.36 €
NTA A 10-40/240	561.1004.200	7,489.80 €	8,912.86 €
NTA A 10-50/240	561.1005.200	7,604.43 €	9,049.27 €
NTA A 10-60/240	561.1006.200	7,928.96 €	9,435.46 €
NTA A 10-70/240	561.1007.200	8,106.74 €	9,647.02 €
NTA A 10-80/240	561.1008.200	8,199.92 €	9,757.90 €
NTA A 10-90/240	561.1009.200	8,414.14 €	10,012.83 €
NTA A 10-100/240	561.1010.200	8,511.59 €	10,128.79 €
Commissioning (Net)	INBK02	550.00 €	654.50 €
Maintenance	Wartung02		upon request

Type	Article no.	Net RRP	Gross RRP
NTA AE 2-60/240	561.0206.230	8,431.28 €	10,033.22 €
NTA AE 2-70/240	561.0207.230	8,476.25 €	10,086.74 €
NTA AE 2-80/240	561.0208.230	8,497.69 €	10,112.25 €
NTA AE 2-90/240	561.0209.230	8,516.95 €	10,135.17 €
NTA AE 2-100/240	561.0210.230	8,591.93 €	10,224.40 €
NTA AE 4-50/240	561.0405.230	8,425.91 €	10,026.83 €
NTA AE 4-60/240	561.0406.230	8,468.76 €	10,077.82 €
NTA AE 4-70/240	561.0407.230	8,489.10 €	10,102.03 €
NTA AE 4-80/240	561.0408.230	8,681.90 €	10,331.46 €
NTA AE 4-90/240	561.0409.230	8,725.80 €	10,383.70 €
NTA AE 4-100/240	561.0410.230	8,812.56 €	10,486.95 €
NTA AE 6-50/240	561.0605.230	8,525.53 €	10,145.38 €
NTA AE 6-60/240	561.0606.230	8,785.80 €	10,455.10 €
NTA AE 6-70/240	561.0607.230	8,821.13 €	10,497.14 €
NTA AE 6-80/240	561.0608.230	9,112.45 €	10,843.82 €
NTA AE 6-90/240	561.0609.230	9,180.99 €	10,925.38 €
NTA AE 6-100/240	561.0610.230	9,283.82 €	11,047.75 €
NTA AE 10-40/240	561.1004.230	9,186.35 €	10,931.76 €
NTA AE 10-50/240	561.1005.230	9,506.58 €	11,312.83 €
NTA AE 10-60/240	561.1006.230	9,566.56 €	11,384.21 €
NTA AE 10-70/240	561.1007.230	9,805.42 €	11,668.45 €
NTA AE 10-80/240	561.1008.230	9,883.59 €	11,761.47 €
NTA AE 10-90/240	561.1009.230	10,211.36 €	12,151.52 €
NTA AE 10-100/240	561.1010.230	10,307.74 €	12,266.21 €
Commissioning (Net)	INBK02	550.00 €	654.50 €
Maintenance	Wartung02		upon request

Drinking water separation stations

### Your benefits

- > Space-saving 750 x 650 mm base
- > Comfortable Aquacell pressure boosting system
- > Stainless steel ball valve with DVGW approval
- > Magnetic valve with shock absorber, approved for drinking water
- > Stagnation in the drinking water pipeline is avoided by regular flushing at least every 72 hours
- > Problem-free connection to the drinking water network

# NTA PREMIUM

Drinking water separation stations



## Drinking water separation stations

### Field of application

- > Drinking water separation
- > Water supply units
- > Irrigation units
- > Laboratory water supply units

Drinking water mains separation units from the NTA Premium range prevent the medium from flowing back into the drinking water pipe from domestic water systems connected behind it. Thanks to safety devices in accordance with DIN EN 1717, the drinking water is protected against contamination.

### Design

These units are designed with a 700 litre pressureless storage tank. The compact base ensures space-saving installation. Safe drinking water separation is guaranteed by hygiene compliance according to VDI 6023 as well as safety devices according to DIN EN 1717. The problem-free connection to the drinking water network rounds off a compact, ready-to-connect and user-friendly drinking water separation station. A fully automatic frequency-controlled pressure boosting system is also included in the delivery.

### Motor

Protection class: ..... IP 55  
Class of insulation: ..... F  
Voltage: ..... 3~ 230/400 V  $\pm$  10 %  
Motor speed: ..... 2850 rpm  
Frequency: ..... 50 Hz

### Technical data

Flow rate: ..... Q up to max. 55 m<sup>3</sup>/h  
Total dynamic head: ..... H up to max. 150 m  
Fluid temperature: ..... t up to max. 20 °C  
Operating pressure: ..... p up to max. 16 bar  
Inlet pressure (rec.): ..... p min. 1 bar up to max. 6 bar

### Fördermedium

Clear fluids which don't chemically and mechanically attack the unit materials.

### Materials used

Storage tank: ..... PE  
Magnetic valve: ..... brass  
Ball bearing: ..... stainless steel AISI CF8M  
Pump housing: ..... stainless steel AISI 304  
Impellers: ..... stainless steel AISI 304  
O-rings: ..... EPDM  
Pump shaft: ..... stainless steel AISI 303  
Mechanical seal: ..... carbon/SiC/EPDM  
Base frame: ..... copper alloy  
Pipework: ..... stainless steel AISI 316Ti

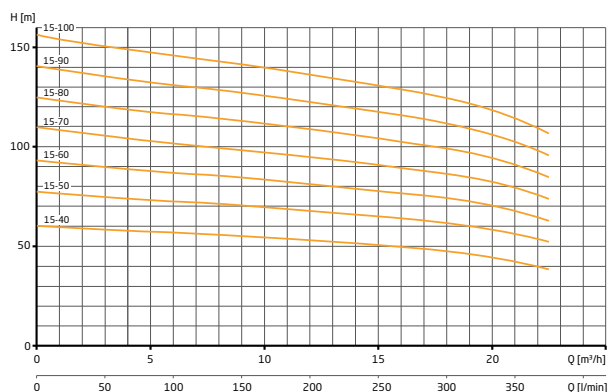
### Type key

NTA AE-H 15-70/700  
NTA: ..... unit type  
A: ..... standard  
E: ..... frequency-controlled (frequency inverter with electric motor)  
H: ..... frequency converter type (FU control box)  
15: ..... pump size  
70: ..... number of stages x 10  
700: ..... storage tank dimensions

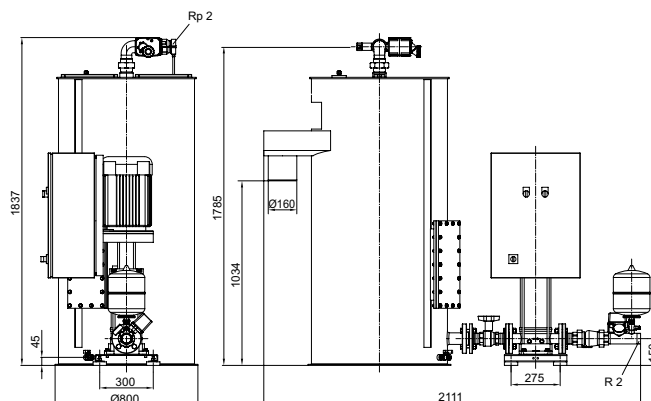
\*Drinking water separation stations up to 100 m<sup>3</sup>/h on request



## Characteristics



## Dimensions



Drinking water separation stations

## Technical data

Type	Inlet/pressure connection (Rp)	Flow rate (m³/h)	Operating/target pressure (bar)	Power output P <sub>2</sub> (kW)	Rated current 3 x 400 V (A)	Approx. Weight (kg)
NTA A/AE-H 15-40/700	2/2	18	4.70	4.00	7.40	158.00
NTA A/AE-H 15-50/700	2/2	18	6.20	5.50	10.00	197.00
NTA A/AE-H 15-60/700	2/2	18	7.30	7.50	13.30	198.00
NTA A/AE-H 15-70/700	2/2	18	8.60	7.50	13.30	203.00
NTA A/AE-H 15-80/700	2/2	18	9.90	11.00	19.30	280.00
NTA A/AE-H 15-90/700	2/2	18	11.20	11.00	19.30	285.00
NTA A/AE-H 15-100/700	2/2	18	12.50	11.00	19.30	287.00

Required flow pressure at the feed valve at least 2.0 bar for 20.0 m³/h feed volume

## Order information

Type	Article no.	Net RRP	Gross RRP
NTA A 15-40/700	561.1504.700	15,615.33 €	18,582.24 €
NTA A 15-50/700	561.1505.700	16,043.76 €	19,092.07 €
NTA A 15-60/700	561.1506.700	16,365.53 €	19,474.98 €
NTA A 15-70/700	561.1507.700	16,632.82 €	19,793.06 €
NTA A 15-80/700	561.1508.700	17,562.54 €	20,899.42 €
NTA A 15-90/700	561.1509.700	17,543.24 €	20,876.46 €
NTA A 15-100/700	561.1510.700	17,650.33 €	21,003.89 €
Commissioning (Net)	INBK02	550.00 €	654.50 €
Maintenance	Wartung02		upon request

Type	Article no.	Net RRP	Gross RRP
NTA AE-H 15-40/700	561.1504.700	16,782.78 €	19,971.51 €
NTA AE-H 15-50/700	561.1505.700	17,699.02 €	21,061.83 €
NTA AE-H 15-60/700	561.1506.700	19,710.27 €	23,455.22 €
NTA AE-H 15-70/700	561.1507.700	19,946.65 €	23,736.51 €
NTA AE-H 15-80/700	561.1508.700	20,889.18 €	24,858.12 €
NTA AE-H 15-90/700	561.1509.700	21,398.98 €	25,464.79 €
NTA AE-H 15-100/700	561.1510.700	21,518.93 €	25,607.53 €
Commissioning (Net)	INBK02	550.00 €	654.50 €
Maintenance	Wartung02		upon request

## Additional charges/discounts

Type	Net RRP	Gross RRP
Discount for control via interface relay (without pressure and flow sensors)	1,021.17 €	1,215.19 €
Additional charge for 2nd feed (control cabinet and software extensions only 24 V/5.50 - 8.00 A)	761.56 €	906.26 €

## Your benefits

- > Space-saving construction
- > Comfortable Aquacell A pressure boosting system (AE-H = frequency controlled)
- > Stainless steel ball valve with DVGW approval
- > Motor ball valve protects against pressure surges
- > Stagnation in the drinking water pipeline is avoided by regular flushing at least every 72 hours
- > Controlled emergency overflow
- > DVGW certificates





### Functional description

The units are turned on automatically via a pressure transmitter situated on the discharge side. They are turned off via a flow sensor on the discharge side. An 8 l diaphragm pressure vessel is installed as a control in the pressure line.

All units are delivered with an electric shut-off relay (follow up) in order to reach a minimum pump running time. The back feed and dry running protection are controlled by a submersible pressure sensor in the feed tank. The feed and flushing is carried out via a motor ball valve. A battery in the control box closes the ball valve in the event of a power failure.

A temperature sensor protects the centrifugal pump from overheating and a magnet valve on the pressure side ensures a minimum flow rate. All relevant contact transmitters are monitored for wire breakage and short circuits. A weekly test run is included in the control.

### Project planning notes

The following information is intended - without claiming to be complete - to help you consider the relevant points in connection with the pressure boosting unit when planning hydrant systems in accordance with DIN 14462.

The information (flow rate and pressures) for the planning and installation of fire extinguishing and fire protection systems is contained in the fire protection concept (proof of preventive fire protection in the building documents). If such a concept is not available, the information can be obtained from the authorities responsible for fire protection, e.g. building inspectorate, fire brigade, fire protection expert.

For security and reasons of extinguishing water availability, two pressure boosting units must be provided, each of which must provide the required quantity of extinguishing water. All actuators, measuring and control elements must also be duplicated.

The electrical supply line is to be used exclusively for supplying the pressure boosting unit. In multi-pump systems, a separate supply line must be provided for each pump. Several pumps can be in operation at the same time or start simultaneously or with a time delay. This must be taken into account when dimensioning the cables and designing the fuses/emergency power units. The electrical cable must be installed with functional integrity E90. The requirements set out in the sample cable system guidelines of the individual federal states apply.

In the case of an indirect connection, an external water feed for the fire brigade, consisting of a feed device in accordance with DIN 14461-2, must be available to ensure readiness for extinguishing. For building heights greater than 30 m, the external water supply is fed into the storage tank of the extinguishing water system via an inflow control valve.

Pressure boosting units for fire-fighting purposes may only be used to supply the connected fire-fighting hose connections and above-ground and underground hydrants. The supply of other consumers, e.g. for garden irrigation, and the use of fire pumps for purposes other than the supply of extinguishing water, e.g. for drainage, is not permitted.

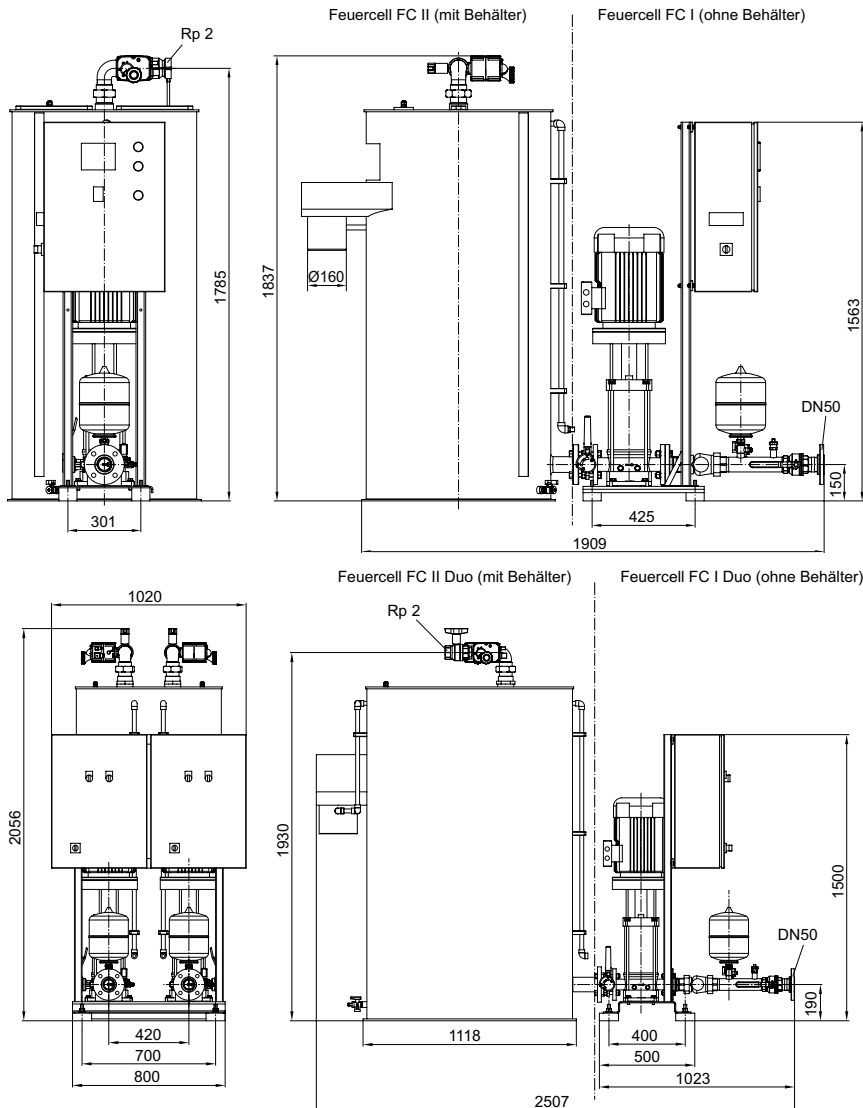
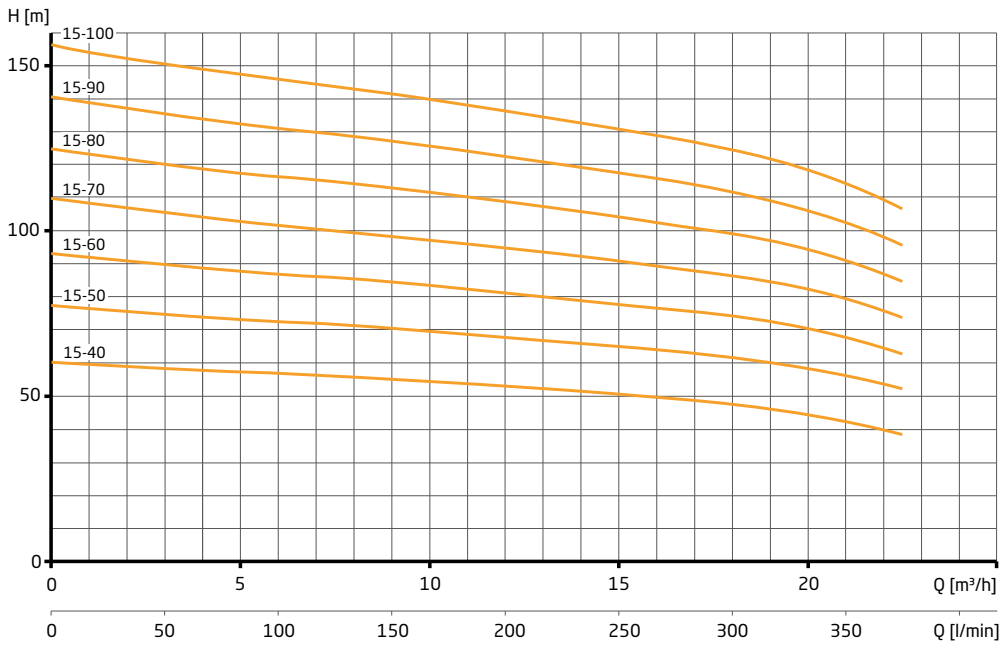
The installation room must be adequately secured against unauthorised access by third parties, well ventilated, not otherwise used and frost-free. A media temperature of more than 35 °C must not be exceeded. The installation room must be separated from other fire compartments without fire load in F90.

Installation rooms for extinguishing water transfer points must be designed in such a way that flooding is not possible. Adequate drainage or a floor drain must be provided.

### Required flow rates and pressures at the extraction valve (hydrant)

Category	Flow volume at min. flow pressure	Simultaneity	Min. flow pressure	Max. flow pressure	Max. resting pressure
Wall hydrant type S (Self service)	24 l/min	2	0.20 MPa (2.0 bar)	1.2 MPa (12.0 bar)	1.2 MPa (12.0 bar)
Wall hydrant type F (Fire service)	100 l/min	3	0.30 MPa (3.0 bar)	0.8 MPa (8.0 bar)	1.2 MPa (12.0 bar)
Wall hydrant type F (Fire service)	200 l/min	3	0.45 MPa (4.5 bar)	0.8 MPa (8.0 bar)	1.2 MPa (12.0 bar)
Surface hydrant DN 80	800 l/min	according to fire protection concept	0.15 MPa (1.5 bar)	0.8 MPa (8.0 bar)	1.2 MPa (12.0 bar)
Surface hydrant DN 100	1.600 l/min	according to fire protection concept	0.15 MPa (1.5 bar)	0.8 MPa (8.0 bar)	1.2 MPa (12.0 bar)
Underground hydrant DN 80	800 l/min	according to fire protection concept	0.15 MPa (1.5 bar)	0.8 MPa (8.0 bar)	1.2 MPa (12.0 bar)

## Characteristics





## Technical data

### FC 15-40 to FC 15-100

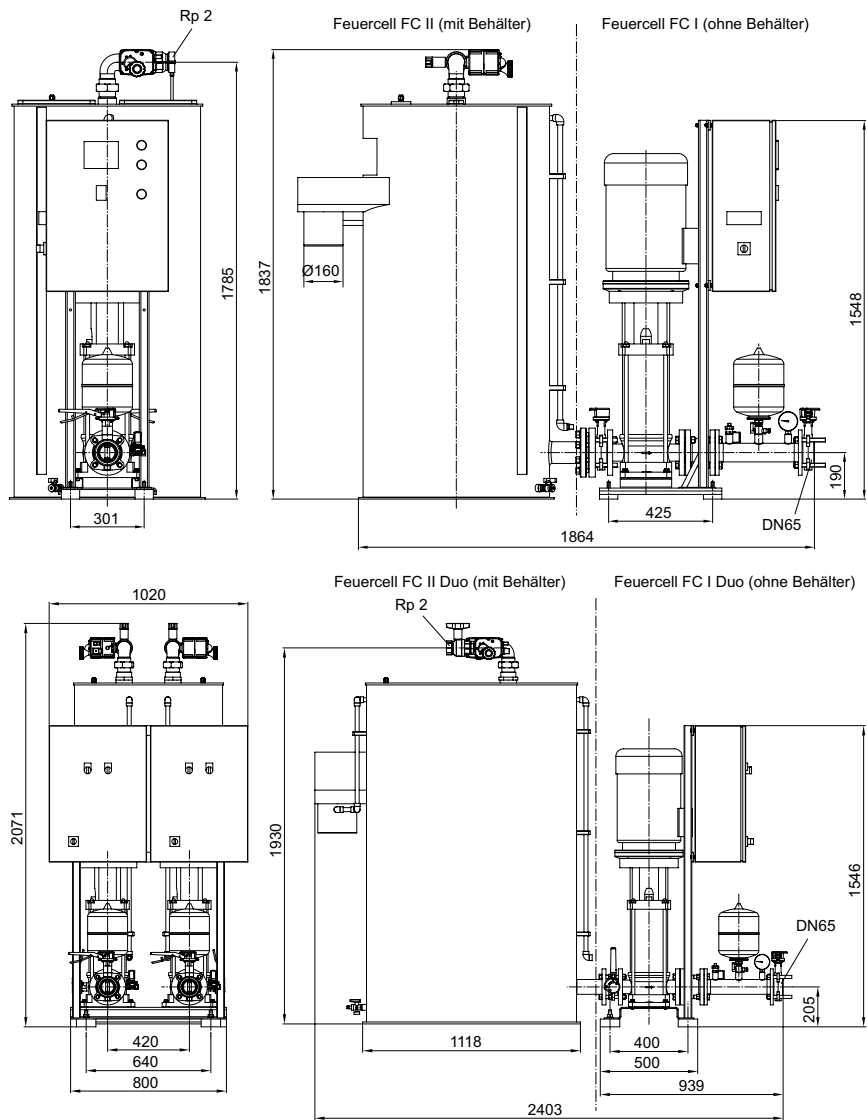
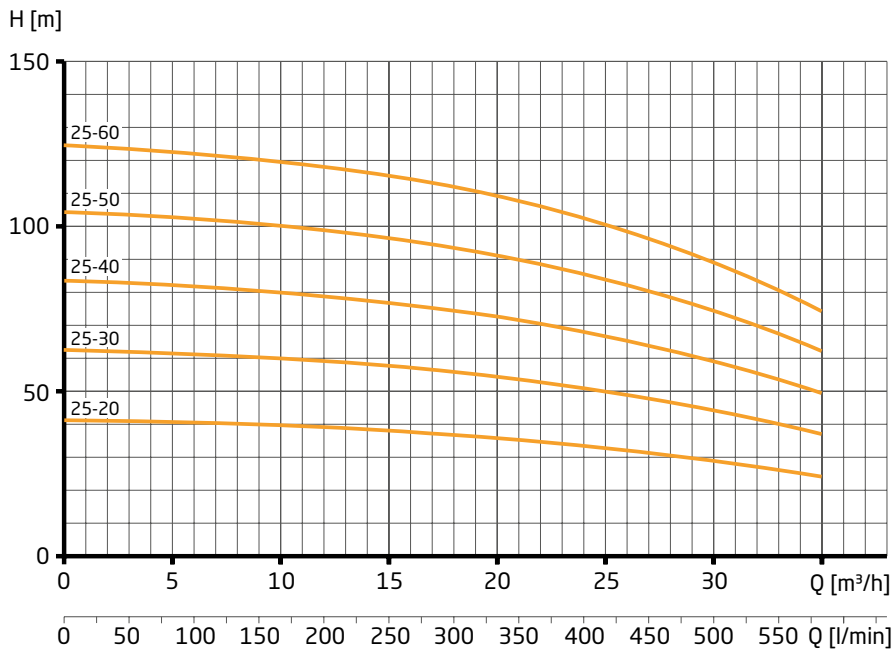
Type	Flow rate Q (m³/h)	Dynamic head at Q H (bar)	Dynamic head at Q = 0 m³/h H <sub>0</sub> (bar)	Pipe connections DNS/DND	Power output P <sub>2</sub> (kW) 3~ 400 V	Rated current 3~ 400 V (A)	Approx. Weight (kg)
FC I 15-40	18	4.70	6.00	DN50/DN50	4.00	7.40	135.00
FC I 15-50	18	6.20	7.70	DN50/DN50	5.50	10.00	174.00
FC I 15-60	18	7.40	9.30	DN50/DN50	7.50	13.30	175.00
FC I 15-70	18	8.60	10.90	DN50/DN50	7.50	13.30	180.00
FC I 15-80	18	9.90	12.50	DN50/DN50	11.00	19.30	257.00
FC I 15-90	18	11.20	14.10	DN50/DN50	11.00	19.30	262.00
FC I 15-100	18	12.50	15.60	DN50/DN50	11.00	19.30	264.00
FC II 15-40	18	4.70	6.00	Rp2/DN50	4.00	7.40	158.00
FC II 15-50	18	6.20	7.70	Rp2/DN50	5.50	10.00	197.00
FC II 15-60	18	7.40	9.30	Rp2/DN50	7.50	13.30	198.00
FC II 15-70	18	8.60	10.90	Rp2/DN50	7.50	13.30	203.00
FC II 15-80	18	9.90	12.50	Rp2/DN50	11.00	19.30	280.00
FC II 15-90	18	11.20	14.10	Rp2/DN50	11.00	19.30	285.00
FC II 15-100	18	12.50	15.60	Rp2/ DN50	11.00	19.30	287.00
FC I Duo 15-40	18	4.70	6.00	2 x DN50/2 x DN50	4.00	7.40	369.00
FC I Duo 15-50	18	6.20	7.70	2 x DN50/2 x DN50	5.50	10.00	449.00
FC I Duo 15-60	18	7.40	9.30	2 x DN50/2 x DN50	7.50	13.30	454.00
FC I Duo 15-70	18	8.60	10.90	2 x DN50/2 x DN50	7.50	13.30	464.00
FC I Duo 15-80	18	9.90	12.50	2 x DN50/2 x DN50	11.00	19.30	624.00
FC I Duo 15-90	18	11.20	14.10	2 x DN50/2 x DN50	11.00	19.30	629.00
FC I Duo 15-100	18	12.50	15.60	2 x DN50/2 x DN50	11.00	19.30	634.00
FC II Duo 15-40	18	4.70	6.00	2 x Rp2/2 x DN50	4.00	7.40	410.00
FC II Duo 15-50	18	6.20	7.70	2 x Rp2/2 x DN50	5.50	10.00	490.00
FC II Duo 15-60	18	7.40	9.30	2 x Rp2/2 x DN50	7.50	13.30	495.00
FC II Duo 15-70	18	8.60	10.90	2 x Rp2/2 x DN50	7.50	13.30	505.00
FC II Duo 15-80	18	9.90	12.50	2 x Rp2/2 x DN50	11.00	19.30	665.00
FC II Duo 15-90	18	11.20	14.10	2 x Rp2/2 x DN50	11.00	19.30	670.00
FC II Duo 15-100	18	12.50	15.60	2 x Rp2/2 x DN50	11.00	19.30	675.00

Required flow pressure at the feed valve at least 1.5 bar for 18.0 m³/h feed volume

## Order information

Type	Article no.	Net RRP	Gross RRP
FC I 15-40	567.1504.100	13,329.86 €	15,862.53 €
FC I 15-50	567.1505.100	14,138.37 €	16,824.66 €
FC I 15-60	567.1506.100	14,678.30 €	17,467.18 €
FC I 15-70	567.1507.100	14,857.21 €	17,680.08 €
FC I 15-80	567.1508.100	16,099.18 €	19,158.02 €
FC I 15-90	567.1509.100	16,438.58 €	19,561.91 €
FC I 15-100	567.1510.100	16,597.47 €	19,750.99 €
FC II 15-40	567.1504.200	19,943.99 €	23,733.35 €
FC II 15-50	567.1505.200	20,752.50 €	24,695.48 €
FC II 15-60	567.1506.200	21,292.43 €	25,337.99 €
FC II 15-70	567.1507.200	21,471.34 €	25,550.89 €
FC II 15-80	567.1508.200	22,713.31 €	27,028.84 €
FC II 15-90	567.1509.200	23,052.71 €	27,432.72 €
FC II 15-100	567.1510.200	23,211.60 €	27,621.80 €
Commissioning (Net)	INBK02	550.00 €	654.50 €
Maintenance	Wartung02		auf Anfrage

Type	Article no.	Net RRP	Gross RRP
FC I Duo 15-40	562.1504.100	27,110.48 €	32,261.47 €
FC I Duo 15-50	562.1505.100	28,839.94 €	34,319.53 €
FC I Duo 15-60	562.1506.100	29,937.07 €	35,625.11 €
FC I Duo 15-70	562.1507.100	30,388.89 €	36,162.78 €
FC I Duo 15-80	562.1508.100	32,882.56 €	39,130.25 €
FC I Duo 15-90	562.1509.100	33,562.46 €	39,939.33 €
FC I Duo 15-100	562.1510.100	33,877.01 €	40,313.64 €
FC II Duo 15-40	562.1504.200	43,941.43 €	52,290.30 €
FC II Duo 15-50	562.1505.200	45,670.89 €	54,348.36 €
FC II Duo 15-60	562.1506.200	46,768.02 €	55,653.94 €
FC II Duo 15-70	562.1507.200	47,219.84 €	56,191.61 €
FC II Duo 15-80	562.1508.200	49,713.51 €	59,159.08 €
FC II Duo 15-90	562.1509.200	50,393.41 €	59,968.16 €
FC II Duo 15-100	562.1510.200	50,707.96 €	60,342.47 €
Commissioning (Net)	INBK02	550.00 €	654.50 €
Maintenance	Wartung02		auf Anfrage







## Technical data

### FC 25-20 to FC 25-60

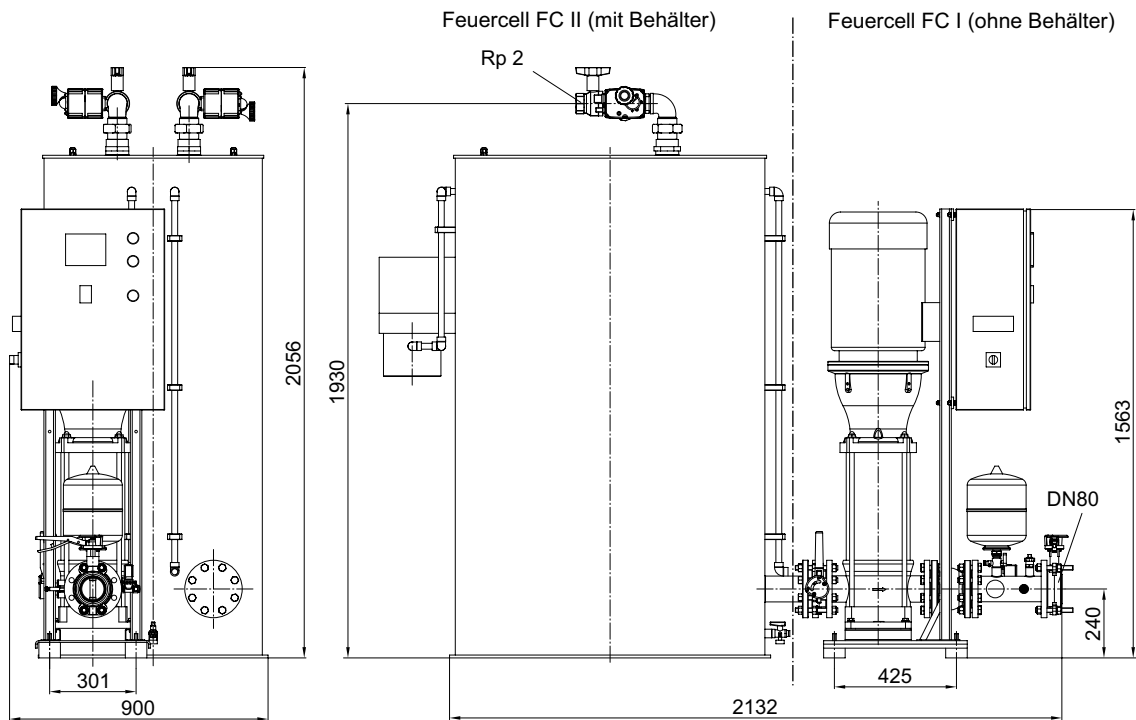
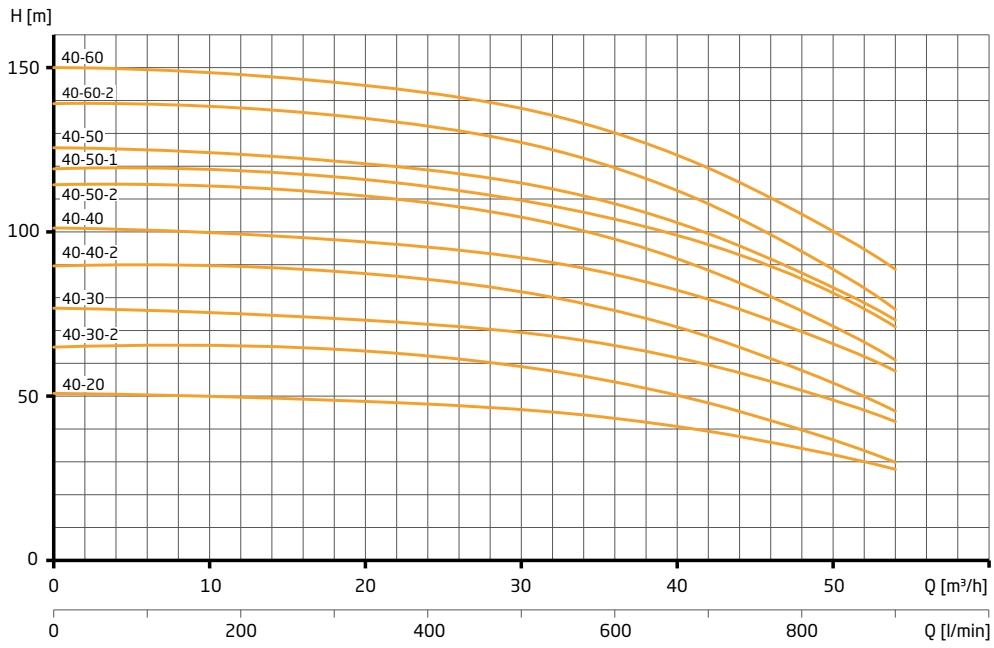
Type	Flow rate Q (m³/h)	Dynamic head at Q H (bar)	Dynamic head at Q = 0 m³/h H <sub>0</sub> (bar)	Pipe connections DNS/DND	Power output P <sub>2</sub> (kW) 3~ 400 V	Rated current 3~ 400 V (A)	Approx. Weight (kg)
FC I 25-20	24	3.30	4.20	DN65/DN65	4.00	7.40	142.00
FC I 25-30	24	5.10	6.30	DN65/DN65	5.50	10.00	191.00
FC I 25-40	24	6.80	8.30	DN65/DN65	7.50	13.30	193.00
FC I 25-50	24	8.60	10.40	DN65/DN65	11.00	19.30	255.00
FC I 25-60	24	10.20	12.50	DN65/DN65	11.00	19.30	263.00
FC II 25-20	24	3.30	4.20	Rp2/DN65	4.00	7.40	165.00
FC II 25-30	24	5.10	6.30	Rp2/DN65	5.50	10.00	214.00
FC II 25-40	24	6.80	8.30	Rp2/DN65	7.50	13.30	216.00
FC II 25-50	24	8.60	10.40	Rp2/DN65	11.00	19.30	278.00
FC II 25-60	24	10.20	12.50	Rp2/DN65	11.00	19.30	286.00
FC I Duo 25-20	24	3.30	4.20	2 x DN65/2 x DN65	4.00	7.40	376.00
FC I Duo 25-30	24	5.10	6.30	2 x DN65/2 x DN65	5.50	10.00	456.00
FC I Duo 25-40	24	6.80	8.30	2 x DN65/2 x DN65	7.50	13.30	472.00
FC I Duo 25-50	24	8.60	10.40	2 x DN65/2 x DN65	11.00	19.30	630.00
FC I Duo 25-60	24	10.20	12.50	2 x DN65/2 x DN65	11.00	19.30	634.00
FC II Duo 25-20	24	3.30	4.20	2 x Rp2/2 x DN65	4.00	7.40	417.00
FC II Duo 25-30	24	5.10	6.30	2 x Rp2/2 x DN65	5.50	10.00	497.00
FC II Duo 25-40	24	6.80	8.30	2 x Rp2/2 x DN65	7.50	13.30	513.00
FC II Duo 25-50	24	8.60	10.40	2 x Rp2/2 x DN65	11.00	19.30	671.00
FC II Duo 25-60	24	10.20	12.50	2 x Rp2/2 x DN65	11.00	19.30	675.00

Required flow pressure at the feed valve at least 2.5 bar for 24.0 m³/h feed volume

## Order information

Type	Article no.	Net RRP	Gross RRP
FC I 25-20	567.2502.100	<b>18,764.61 €</b>	22,329.89 €
FC I 25-30	567.2503.100	<b>19,552.71 €</b>	23,267.72 €
FC I 25-40	567.2504.100	<b>20,000.21 €</b>	23,800.25 €
FC I 25-50	567.2505.100	<b>21,391.89 €</b>	25,456.35 €
FC I 25-60	567.2506.100	<b>22,158.99 €</b>	26,369.20 €
FC II 25-20	567.2502.200	<b>25,378.74 €</b>	30,200.70 €
FC II 25-30	567.2503.200	<b>26,166.84 €</b>	31,138.54 €
FC II 25-40	567.2504.200	<b>26,614.34 €</b>	31,671.06 €
FC II 25-50	567.2505.201	<b>28,006.02 €</b>	33,327.16 €
FC II 25-60	567.2506.200	<b>28,773.12 €</b>	34,240.01 €
Commissioning (Net)	INBK02	<b>550.00 €</b>	654.50 €
Maintenance	Wartung02		auf Anfrage

Type	Article no.	Net RRP	Gross RRP
FC I Duo 25-20	562.2502.100	<b>28,193.30 €</b>	33,550.03 €
FC I Duo 25-30	562.2503.100	<b>29,669.50 €</b>	35,306.71 €
FC I Duo 25-40	562.2504.100	<b>32,507.52 €</b>	38,683.95 €
FC I Duo 25-50	562.2505.100	<b>36,578.98 €</b>	43,528.99 €
FC I Duo 25-60	562.2506.100	<b>38,578.85 €</b>	45,908.83 €
FC II Duo 25-20	562.2502.200	<b>45,024.25 €</b>	53,578.86 €
FC II Duo 25-30	562.2503.200	<b>46,500.45 €</b>	55,335.54 €
FC II Duo 25-40	562.2504.200	<b>47,337.67 €</b>	56,331.83 €
FC II Duo 25-50	562.2505.200	<b>50,074.00 €</b>	59,588.06 €
FC II Duo 25-60	562.2506.200	<b>51,668.20 €</b>	61,485.16 €
Commissioning (Net)	INBK02	<b>550.00 €</b>	654.50 €
Maintenance	Wartung02		auf Anfrage





## Technical data

### FC 40-20 to FC 40-60

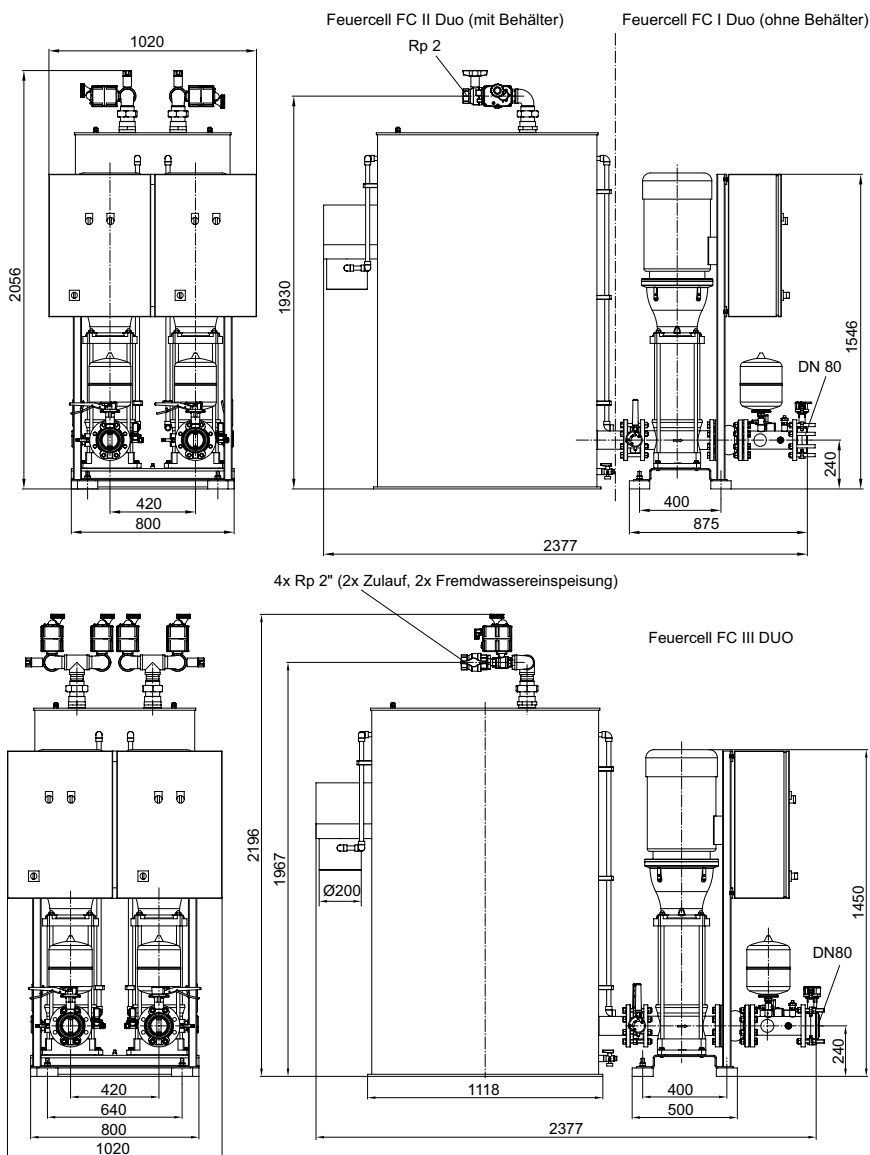
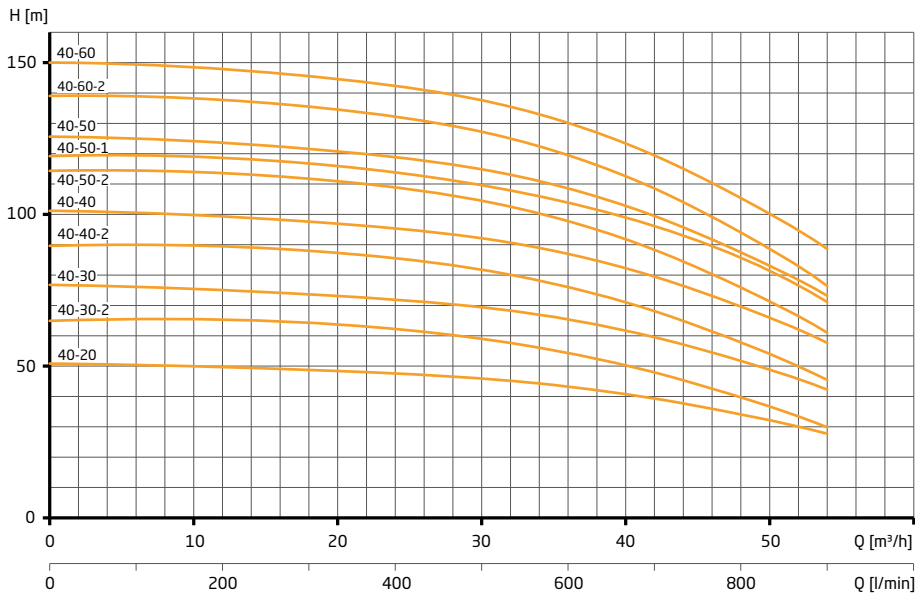
Type	Flow rate Q (m³/h)	Dynamic head at Q H (bar)	Dynamic head at Q = 0 m³/h H <sub>0</sub> (bar)	Pipe connections DNS/DND	Power output P <sub>2</sub> (kW) 3~ 400 V	Rated current 3~ 400 V (A)	Approx. Weight (kg)
FC I 40-20	36	4.20	5.00	DN80/DN80	7.50	13.30	300.00
FC I 40-30-2	36	5.30	6.50	DN80/DN80	11.00	19.30	360.00
FC I 40-30	36	6.60	7.80	DN80/DN80	11.00	19.30	362.00
FC I 40-40-2	36	7.70	9.00	DN80/DN80	15.00	26.20	364.00
FC I 40-40	36	8.70	10.10	DN80/DN80	15.00	26.20	374.00
FC I 40-50-2	36	9.70	11.50	DN80/DN80	18.50	32.10	377.00
FC I 40-50-1	36	10.40	11.90	DN80/DN80	18.50	32.10	384.00
FC I 40-50	36	10.80	12.50	DN80/DN80	18.50	32.10	397.00
FC I 40-60-2	36	12.00	14.00	DN80/DN80	18.50	32.10	400.00
FC I 40-60	36	13.00	15.00	DN80/DN80	22.00	38.10	417.00
FC II 40-20	36	4.20	5.00	Rp2/DN80	7.50	13.30	341.00
FC II 40-30-2	36	5.30	6.50	Rp2/DN80	11.00	19.30	401.00
FC II 40-30	36	6.60	7.80	Rp2/DN80	11.00	19.30	403.00
FC II 40-40-2	36	7.70	9.00	Rp2/DN80	15.00	26.20	405.00
FC II 40-40	36	8.70	10.10	Rp2/DN80	15.00	26.20	415.00
FC II 40-50-2	36	9.70	11.50	Rp2/DN80	18.50	32.10	418.00
FC II 40-50-1	36	10.40	11.90	Rp2/DN80	18.50	32.10	425.00
FC II 40-50	36	10.80	12.50	Rp2/DN80	18.50	32.10	438.00
FC II 40-60-2	36	12.00	14.00	Rp2/DN80	18.50	32.10	441.00
FC II 40-60	36	13.00	15.00	Rp2/DN80	22.00	38.10	458.00

Required flow pressure at the feed valve at least 4.0 bar for 36.0 m³/h feed volume

## Order information

Type	Article no.	Net RRP	Gross RRP
FC I 40-20	567.4002.010	21,426.39 €	25,497.40 €
FC I 40-30-2	567.4003.210	22,628.37 €	26,927.76 €
FC I 40-30	567.4003.010	22,975.86 €	27,341.27 €
FC I 40-40-2	567.4004.010	24,685.96 €	29,376.29 €
FC I 40-40	567.4004.210	23,725.58 €	28,233.44 €
FC I 40-50-2	567.4005.110	28,248.06 €	33,615.19 €
FC I 40-50-1	567.4005.010	28,350.59 €	33,737.20 €
FC I 40-50	567.4005.210	27,390.88 €	32,595.15 €
FC I 40-60-2	567.4006.210	28,408.02 €	33,805.54 €
FC I 40-60	567.4006.010	29,408.58 €	34,996.21 €
Commissioning (Net)	INBK02	550.00 €	654.50 €
Maintenance	Wartung02		auf Anfrage

Type	Article no.	Net RRP	Gross RRP
FC II 40-20	567.4002.020	31,757.34 €	37,791.23 €
FC II 40-30-2	567.4003.220	32,959.32 €	39,221.59 €
FC II 40-30	567.4003.020	33,006.86 €	39,278.16 €
FC II 40-40-2	567.4004.220	34,056.42 €	40,527.14 €
FC II 40-40	567.4004.020	34,578.52 €	41,148.44 €
FC II 40-50-2	567.4005.220	35,849.69 €	42,661.13 €
FC II 40-50-1	567.4005.120	37,721.83 €	44,888.98 €
FC II 40-50	567.4005.020	38,579.01 €	45,909.02 €
FC II 40-60-2	567.4006.220	38,738.97 €	46,099.37 €
FC II 40-60	567.4006.020	38,929.23 €	46,325.78 €
Commissioning (Net)	INBK02	550.00 €	654.50 €
Maintenance	Wartung02		auf Anfrage





## Technical data

### FC DUO 40-20 to FC DUO 40-60

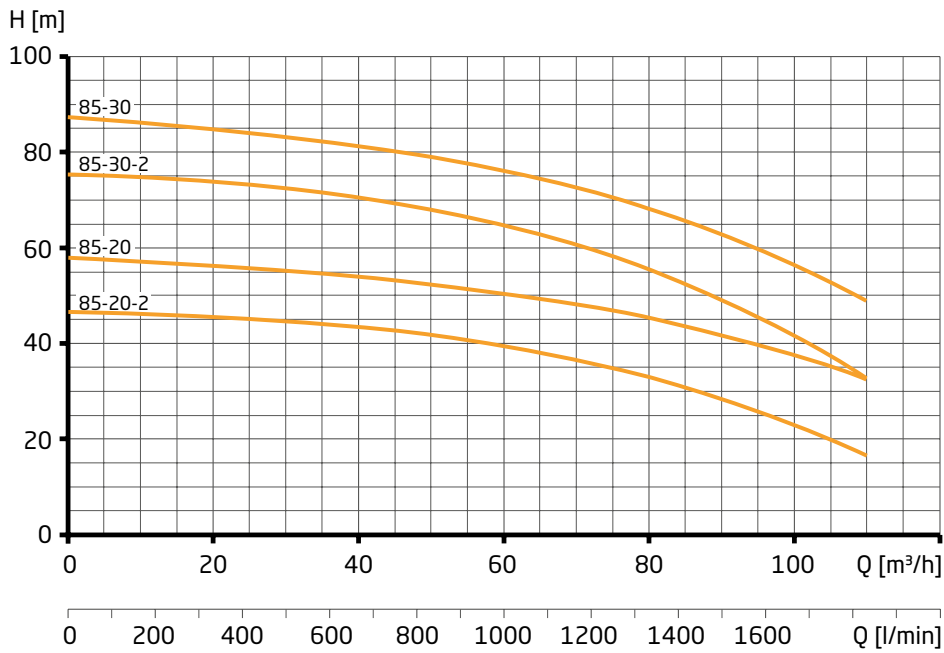
Type	Flow rate Q (m³/h)	Dynamic head at Q H (bar)	Dynamic head at Q = 0 m³/h H <sub>0</sub> (bar)	Pipe connections DNS/DND	Power output P <sub>2</sub> (kW) 3~ 400 V	Rated current 3~ 400 V (A)	Approx. Weight (kg)
FC I DUO 40-20	36	4.20	5.00	2 x DN80/2 x DN80	7.50	13.30	459.00
FC I DUO 40-30-2	36	5.30	6.50	2 x DN80/2 x DN80	11.00	19.30	599.00
FC I DUO 40-30	36	6.60	7.80	2 x DN80/2 x DN80	11.00	19.30	604.00
FC I DUO 40-40-2	36	7.70	9.00	2 x DN80/2 x DN80	15.00	26.20	609.00
FC I DUO 40-40	36	8.70	10.10	2 x DN80/2 x DN80	15.00	26.20	639.00
FC I DUO 40-50-2	36	9.70	11.50	2 x DN80/2 x DN80	18.50	32.10	649.00
FC I DUO 40-50-1	36	10.40	11.90	2 x DN80/2 x DN80	18.50	32.10	664.00
FC I DUO 40-50	36	10.80	12.50	2 x DN80/2 x DN80	18.50	32.10	689.00
FC I DUO 40-60-2	36	12.00	14.00	2 x DN80/2 x DN80	18.50	32.10	699.00
FC I DUO 40-60	36	13.00	15.00	2 x DN80/2 x DN80	22.00	38.10	739.00
FC II DUO 40-20	36	4.20	5.00	2 x Rp2/2 x DN80	7.50	13.30	500.00
FC II DUO 40-30-2	36	5.30	6.50	2 x Rp2/2 x DN80	11.00	19.30	640.00
FC II DUO 40-30	36	6.60	7.80	2 x Rp2/2 x DN80	11.00	19.30	645.00
FC II DUO 40-40-2	36	7.70	9.00	2 x Rp2/2 x DN80	15.00	26.20	650.00
FC II DUO 40-40	36	8.70	10.10	2 x Rp2/2 x DN80	15.00	26.20	680.00
FC II DUO 40-50-2	36	9.70	11.50	2 x Rp2/2 x DN80	18.50	32.10	690.00
FC II DUO 40-50-1	36	10.40	11.90	2 x Rp2/2 x DN80	18.50	32.10	705.00
FC II DUO 40-50	36	10.80	12.50	2 x Rp2/2 x DN80	18.50	32.10	730.00
FC II DUO 40-60-2	36	12.00	14.00	2 x Rp2/2 x DN80	18.50	32.10	740.00
FC II DUO 40-60	36	13.00	15.00	2 x Rp2/2 x DN80	22.00	38.10	780.00
FC III DUO 40-40-2	36	7.70	9.00	4 x Rp2/2 x DN80	15.00	26.20	650.00
FC III DUO 40-40	36	8.70	10.10	4 x Rp2/2 x DN80	15.00	26.20	680.00
FC III DUO 40-50-2	36	9.70	11.50	4 x Rp2/2 x DN80	18.50	32.10	690.00
FC III DUO 40-50-1	36	10.40	11.90	4 x Rp2/2 x DN80	18.50	32.10	705.00
FC III DUO 40-50	36	10.80	12.50	4 x Rp2/2 x DN80	18.50	32.10	730.00
FC III DUO 40-60-2	36	12.00	14.00	4 x Rp2/2 x DN80	18.50	32.10	740.00
FC III DUO 40-60	36	13.00	15.00	4 x Rp2/2 x DN80	22.00	38.10	780.00

Required flow pressure at the feed valve at least 4.0 bar for 36.0 m³/h feed volume

## Order information

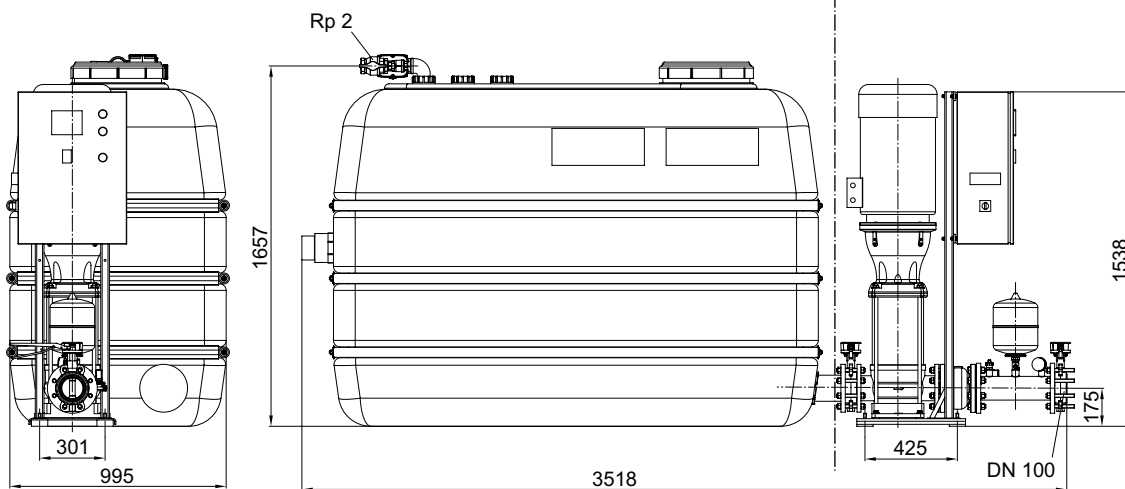
Type	Article no.	Net RRP	Gross RRP
FC I DUO 40-20	562.4002.011	34,625.54 €	41,204.39 €
FC I DUO 40-30-2	562.4003.210	38,952.54 €	46,353.52 €
FC I DUO 40-30	562.4003.010	41,658.75 €	49,573.91 €
FC I DUO 40-40-2	562.4004.210	43,857.95 €	52,190.96 €
FC I DUO 40-40	562.4004.010	45,876.58 €	54,593.13 €
FC I DUO 40-50-2	562.4005.210	47,054.21 €	55,994.51 €
FC I DUO 40-50-1	562.4005.110	47,856.85 €	56,949.65 €
FC I DUO 40-50	562.4005.010	48,852.17 €	58,134.08 €
FC I DUO 40-60-2	562.4006.210	49,859.28 €	59,332.54 €
FC I DUO 40-60	562.4006.010	51,586.96 €	61,388.48 €
Commissioning (Net)	INBK02	550.00 €	654.50 €
Maintenance	Wartung02		auf Anfrage

Type	Article no.	Net RRP	Gross RRP
FC II DUO 40-20	562.4002.020	47,455.49 €	56,472.03 €
FC II DUO 40-30-2	562.4003.220	49,754.59 €	59,207.96 €
FC II DUO 40-30	562.4003.020	49,846.46 €	59,317.29 €
FC II DUO 40-40-2	562.4004.220	51,804.01 €	61,646.77 €
FC II DUO 40-40	562.4004.020	52,868.71 €	62,913.76 €
FC II DUO 40-50-2	562.4005.220	55,308.33 €	65,816.91 €
FC II DUO 40-50-1	562.4005.120	58,425.71 €	69,526.59 €
FC II DUO 40-50	562.4005.020	60,544.30 €	72,047.72 €
FC II DUO 40-60-2	562.4006.220	60,866.41 €	72,431.03 €
FC II DUO 40-60	562.4006.020	61,242.57 €	72,878.66 €
FC III DUO 40-40-2	562.4004.230	54,808.95 €	65,222.65 €
FC III DUO 40-40	562.4004.030	55,873.65 €	66,489.64 €
FC III DUO 40-50-2	562.4005.230	58,313.27 €	69,392.79 €
FC III DUO 40-50-1	562.4005.130	61,430.65 €	73,102.47 €
FC III DUO 40-50	562.4005.030	63,549.24 €	75,623.60 €
FC III DUO 40-60-2	562.4006.230	63,871.35 €	76,006.91 €
FC III DUO 40-60	562.4006.030	64,247.51 €	76,454.54 €
Commissioning (Net)	INBK02	550.00 €	654.50 €
Maintenance	Wartung02		auf Anfrage



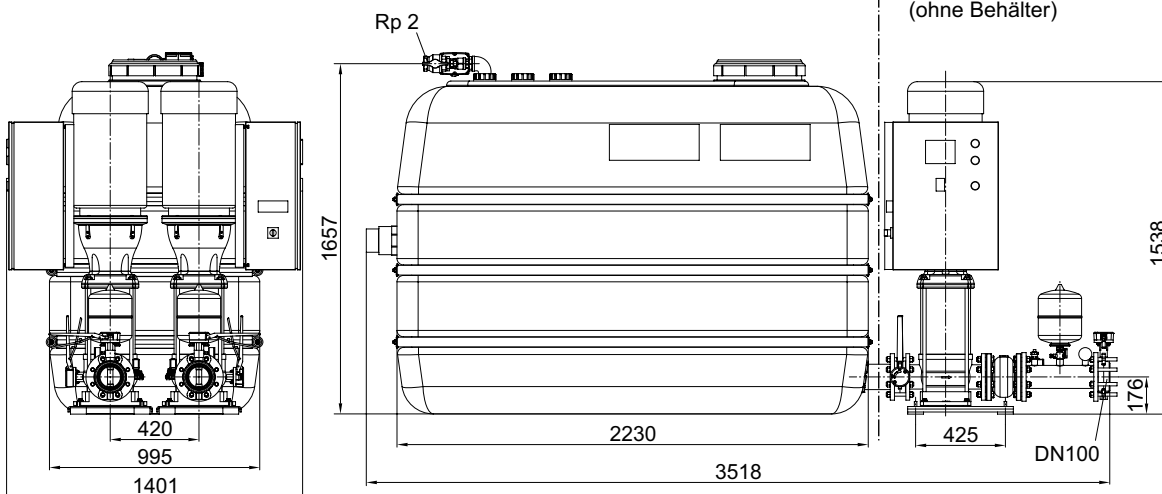
Feuercell FC II (mit Behälter)

Feuercell FC I (ohne Behälter)



Feuercell FC Duo II (mit Behälter)

Feuercell FC Duo I (ohne Behälter)





## Technical data

### FC 85-20-2 to FC 85-30

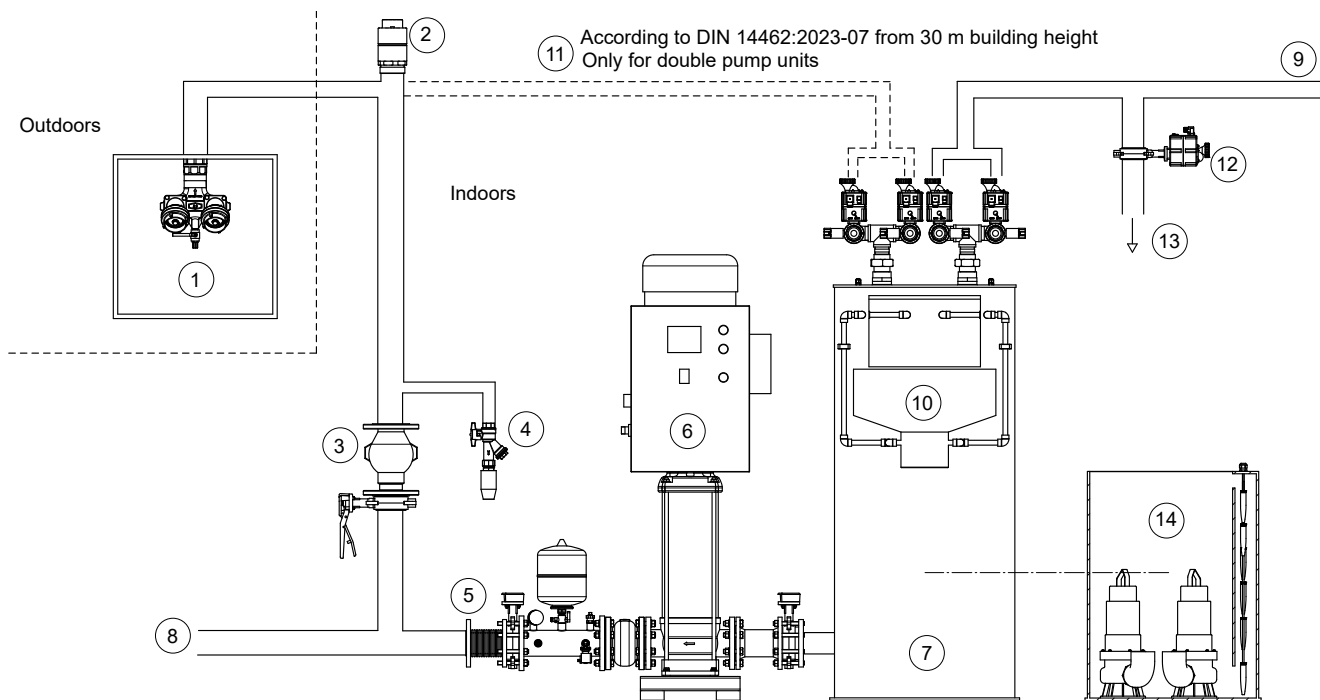
Type	Flow rate Q (m³/h)	Dynamic head at Q H (bar)	Dynamic head at Q = 0 m³/h H <sub>0</sub> (bar)	Pipe connections DNS/DND	Power output P <sub>z</sub> (kW) 3~400 V	Rated current 3~400 V (A)	Approx. Weight (kg)
FC I 85-20-2	96	2.60	4.70	DN100/DN100	11.00	19.30	433.00
FC I 85-20	96	4.00	5.70	DN100/DN100	15.00	26.20	463.00
FC I 85-30-2	96	4.50	7.50	DN100/DN100	18.50	32.10	485.00
FC I 85-30	96	6.00	8.60	DN100/DN100	22.00	38.10	510.00
FC II 85-20-2	96	2.60	4.70	Rp2/DN100	11.00	19.30	474.00
FC II 85-20	96	4.00	5.70	Rp2/DN100	15.00	26.20	504.00
FC II 85-30-2	96	4.50	7.50	Rp2/DN100	18.50	32.10	526.00
FC II 85-30	96	6.00	8.60	Rp2/DN100	22.00	38.10	551.00
FC I DUO 85-20-2	96	2.60	4.70	2 x DN100/2 x DN100	11.00	19.30	760.00
FC I DUO 85-20	96	4.00	5.70	2 x DN100/2 x DN100	15.00	26.20	825.00
FC I DUO 85-30-2	96	4.50	7.50	2 x DN100/2 x DN100	18.50	32.10	857.00
FC I DUO 85-30	96	6.00	8.60	2 x DN100/2 x DN100	22.00	38.10	929.00
FC II DUO 85-20-2	96	2.60	4.70	2 x Rp2/2 x DN100	11.00	19.30	801.00
FC II DUO 85-20	96	4.00	5.70	2 x Rp2/2 x DN100	15.00	26.20	866.00
FC II DUO 85-30-2	96	4.50	7.50	2 x Rp2/2 x DN100	18.50	32.10	898.00
FC II DUO 85-30	96	6.00	8.60	2 x Rp2/2 x DN100	22.00	38.10	970.00

Required flow pressure at the feed valve at least 3.5 bar for 96.0 m³/h feed volume

## Order information

Type	Article no.	Net RRP	Gross RRP
FC I 85-20-2	567.8502.211	27,033.29 €	32,169.62 €
FC I 85-20	567.8502.010	29,769.74 €	35,425.99 €
FC I 85-30-2	567.8503.210	32,895.05 €	39,145.11 €
FC I 85-30	567.8503.010	34,200.62 €	40,698.74 €
FC II 85-20-2	567.8502.220	38,364.24 €	45,653.45 €
FC II 85-20	567.8502.020	41,100.69 €	48,909.82 €
FC II 85-30-2	567.8503.220	44,226.00 €	52,628.94 €
FC II 85-30	567.8503.020	45,531.57 €	54,182.57 €
Commissioning (Net)	INBK02	550.00 €	654.50 €
Maintenance	Wartung02		auf Anfrage

Type	Article no.	Net RRP	Gross RRP
FC I DUO 85-20-2	562.8501.110	45,956.59 €	54,688.34 €
FC I DUO 85-20	562.8502.010	50,608.56 €	60,224.19 €
FC I DUO 85-30-2	562.8502.211	55,921.59 €	66,546.69 €
FC I DUO 85-30	562.8503.010	58,141.05 €	69,187.85 €
FC II DUO 85-20-2	562.8502.220	60,561.22 €	72,067.85 €
FC II DUO 85-20	562.8502.020	65,913.05 €	78,436.53 €
FC II DUO 85-30-2	562.8503.220	71,838.28 €	85,487.55 €
FC II DUO 85-30	562.8503.020	74,447.25 €	88,592.23 €
Commissioning (Net)	INBK02	550.00 €	654.50 €
Maintenance	Wartung02		auf Anfrage



- |  |   |
|--|---|
| 1. Emergency feed for the fire brigade           | 9. Drinking water supply line                                       |
| 2. Ventilator                                    | 10. "Controlled" overflow connection                                |
| 3. Non-return valve                              | 11. External water supply connection                                |
| 4. Hydraulic drainage                            | 12. Drinking water seal-off (optional)                              |
| 5. Compensator / stainless steel corrugated hose | 13. Drinking water installation, permanent drinking water consumers |
| 6. Fire extinguishing pressure boosting unit     | 14. Emergency drainage  |
| 7. Storage tank with inlet fitting               |   |
| 8. Extinguishing water pipe "wet"                |   |

Position container under controlled overflow (10)

### Accessories/supplements

Type	Article no.	Net RRP	Gross RRP
Rubber expansion joint DN 50	503.5200.050	525.89 €	625.81 €
Rubber expansion joint DN 65	503.5203.065	584.78 €	695.89 €
Rubber expansion joint DN 80	503.5200.080	613.70 €	730.30 €
Automatic transfer switch 7.50 kW	569.9500.007	3,948.60 €	4,698.83 €
Automatic transfer switch 11.00 kW	569.9500.015	4,290.15 €	5,105.28 €
Automatic transfer switch 15.00 kW	569.9500.015	4,290.15 €	5,105.28 €
Automatic transfer switch 18.50 kW	569.9500.018	4,770.08 €	5,676.40 €
Automatic transfer switch 22.00 kW	569.9500.022	4,770.08 €	5,676.40 €
Overvoltage protection (lightning protection)	567.9004.000	1,306.84 €	1,555.14 €
GSM emergency phone line	567.9001.000	1,374.93 €	1,636.17 €
Pressure reducing disc, stainless steel, variabel	567.9005.010	47.14 €	56.10 €
Pressure reducing disc, stainless steel, 10 mm	567.9005.110	47.14 €	56.10 €
Pressure reducing disc, stainless steel, 11 mm	567.9005.111	47.14 €	56.10 €
Pressure reducing disc, stainless steel, 12 mm	567.9005.112	47.14 €	56.10 €
Pressure reducing disc, stainless steel, 13 mm	567.9005.113	47.14 €	56.10 €
Pressure reducing disc, stainless steel, 14 mm	567.9005.114	47.14 €	56.10 €
Pressure reducing disc, stainless steel, 15 mm	567.9005.115	47.14 €	56.10 €
Pressure reducing disc, stainless steel, 16 mm	567.9005.116	47.14 €	56.10 €
Pressure reducing disc, stainless steel, 17 mm	567.9005.117	47.14 €	56.10 €
Pressure reducing disc, stainless steel, 18 mm	567.9005.118	47.14 €	56.10 €
Pressure reducing disc, stainless steel, 19 mm	567.9005.119	47.14 €	56.10 €
Pressure reducing disc, stainless steel, 20 mm	567.9005.120	47.14 €	56.10 €
Pressure reducing disc, stainless steel, 21 mm	567.9005.121	47.14 €	56.10 €





## Accessories

### Feuercell



#### Emergency drainage for Feuercell FC II 15

##### Emergency drainage design consisting of:

**1 overflow tank** with 2 triple cable glands and stabilising chamber, width approx. 750 mm, depth approx. 500 mm, height approx. 1000 mm

**5 electrodes** each with 10 m cable, installed ready for operation. Other cable lengths on request.

**1 control box** type SUP-A, special edition

operating voltage 400 V, 50 Hz,

control voltage 230 V, 50 Hz,

plastic enclosed,

consisting of:

Control box housing, protection class IP 54

Air protection for direct activation

Motor protection switch, thermal and magnetic, setting range from 3.5 to 5.0 A

Electrode relay for pump's level control

Electrode relay for overflow alarm

Selector switch: manual-0-automatic

Control fuse

Potential-free message "high water level" for the pressure boosting unit's control box

**1 submersible motor pump** TOP 300 VOX D, 400 V, 50 Hz,

2.20 kW, with adapter nipple and elbow

## Technical data

Flow rate (m <sup>3</sup> /h)	Dynamic head at operating point (m)	Max. dynamic head (m)	Power output P <sub>2</sub> (kW)	Rated current (A)	Motor speed (rpm)	DND	Cable length (m)	Motor protection class
48	approx. 3.5	approx. 17	2.20	4.40	2800	Rp 3	10	IP 68

## Materials used

Pump housing: ..... stainless steel AISI 304

Motor housing: ..... stainless steel AISI 304

Impeller: ..... stainless steel AISI 304

Shaft: ..... stainless steel AISI 303

O-rings: ..... NBR

Pump side mechanical seal: ..... SiC/SiC

Motor side mechanical seal: ..... carbon/ceramic

Tank: ..... PE

## Order information

Type	Article no.	Net RRP	Gross RRP
Emergency drainage for FC II 15, consisting of: 1 overflow tank 5 electrodes 1 submersible motor pump 1 control box	567.9006.020	4,971.14 €	5,915.66 €

## Accessories

### Feuercell/Feuercell FC Duo II



### Emergency drainage for Feuercell FC II 40/III 40 and Feuercell FC II Duo 15

#### Emergency drainage design consisting of:

**1 overflow tank** with 3 triple cable glands and stabilising chamber, width approx. 750 mm, depth approx. 500 mm, height approx. 1000 mm

**8 electrodes** each with 10 m cable, installed ready for operation. Other cable lengths on request.

**1 control box** type S 2, special edition

operating voltage 400 V, 50 Hz,  
control voltage 230 V, 50 Hz,  
steel enclosed,  
consisting of:

Control box housing, protection class IP 54

2 air protectors for direct activation

2 motor protection switches, thermal and magnetic,  
setting range from 3.5 to 5.0 A

2 electrode relays for pump's level control

1 electrode relay for overflow alarm

2 selector switches: manual-0-automatic

2 white light indicators for pump operation

2 red light indicators for excess current in pump motor

1 red light indicator for high water level

1 interchange relay

1 control fuse

Peak load activation

Potential-free message "high water level" for the pressure boosting unit's control box

**2 submersible motor pumps** TOP 300 VOX D, 400 V, 50 Hz, 2.20 kW, with adapter nipple and elbow

#### Technical data 50 Hz

Flow rate (m³/h)	Dynamic head at operating point (m)	Max. dynamic head (m)	Power output P2 (kW)	Rated current (A)	Motor speed (rpm)	DND	Cable length (m)	Motor protection class
2 x 48	approx. 3,5	approx. 17	2 x 2.20	2 x 4.40	2800	2 x Rp 3	10	IP 68

#### Materials used

Pump housing: ..... stainless steel AISI 304

Motor housing: ..... stainless steel AISI 304

Impeller: ..... stainless steel AISI 304

Shaft: ..... stainless steel AISI 303

O-rings: ..... NBR

Pump side mechanical seal: ..... SiC/SiC

Motor side mechanical seal: ..... carbon/ceramic

Tank: ..... PE

#### Order information

Type	Article no.	Net RRP	Gross RRP
Emergency drainage for FC II 40 and Feuercell FC II Duo consisting of: 1 overflow 8 electrodes 2 submersible motor pump 1 control box	567.9006.030	9,020.65 €	10,734.57 €



## Accessories

### Feuerzell



In the case of an indirect connection, an external water feed for the fire brigade, consisting of a feed device in accordance with DIN 14461-2, must be available to ensure readiness for extinguishing. For building heights greater than 30 m, the external water supply is fed into the storage tank of the extinguishing water system via an inflow control valve.

### External water supply, wet, type C

#### External water supply design consisting of:

**1 hanging cupboard**, BxHxT 740x300x740 mm, according to DIN 14461-2, painted according to RAL 3001 (red), doors with countersunk fire hydrant valve according to DIN 14925, 180° opening

**1 supply fitting** according to DIN 14461-4 with two 45° curved inlets including B couplings made from brass as well as B blind couplings made from brass and ½" drain ball valve.

**1 drain valve** ½", hydraulic

**1 non-return valve** DN 80, PN 16, spring loaded, housing made from cast iron, ECB coated with fluid plastic

**1 ventilation valve** G 2, according to DIN 14463-3

**1 coupling key** size B/C

**1 Key for wall-mounted cabinet**

**1 self-adhesive film** "External water supply", "Drainage external water supply", "Ventilation external water supply", "max. feed pressure for emergency external water supply"

**1 operating manual**

## Order information

Type	Article no.	Net RRP	Gross RRP
Extinguishing water feed type C/Red RAL 3001	567.9002.001	2,400.00 €	2,856.00 €
Extinguishing water feed type C/VA stainless steel	567.9002.003	3,300.00 €	3,927.00 €

Type	Article no.	Net RRP	Gross RRP
Drinking water isolation Rp 2"	567.9002.050	1,621.53 €	1,929.62 €
Drinking water isolation DN 65	567.9002.065	1,706.35 €	2,030.56 €
Drinking water isolation DN 80	567.9002.080	1,869.74 €	2,224.99 €
Drinking water isolation DN 100	567.9002.100	2,498.32 €	2,973.00 €





# Product overview

## Vertical pumps



---

### **IN-VB/IN-VC**

Performance: 1 to 160 m<sup>3</sup>/h

**Page 60**





### Materials used IN-VB 2 to IN-VB 60, IN-VC 15

Pump housing: ..... stainless steel AISI CF8  
 Sleeve: ..... stainless steel AISI 304  
 Diffusers: ..... stainless steel AISI 304  
 Top plate: ..... stainless steel AISI 304  
 Impellers: ..... stainless steel AISI 304  
 Shaft sleeve: ..... stainless steel AISI 304  
 Shaft: ..... stainless steel AISI 431  
 Bearings: ..... aluminium oxide  
 Shaft protection sleeve: ..... tungsten carbide  
 Base plate: ..... cast iron JS 1030  
 Lantern: ..... cast iron JL 1040  
 Plug: ..... stainless steel AISI 304  
 Elastomers: ..... EPDM  
 Counter flange: ..... cast iron JL 1040  
 Mechanical seal: ..... carbon/SiC

### Materials used IN-VB-S 2 to IN-VB-S 60, IN-VC-S 15

Pump housing: ..... stainless steel AISI CF8M  
 Sleeve: ..... stainless steel AISI 316 L  
 Diffusers: ..... stainless steel AISI 316 L  
 Top plate: ..... stainless steel AISI 316 L  
 Impellers: ..... stainless steel AISI 316 L  
 Shaft sleeve: ..... stainless steel AISI 316 L  
 Shaft: ..... stainless steel AISI 329  
 Bearings: ..... aluminium oxide  
 Shaft protection sleeve: ..... tungsten carbide  
 Base plate: ..... cast iron JS 1030  
 Lantern: ..... cast iron JL 1040  
 Plug: ..... stainless steel AISI 316 L  
 Elastomers: ..... VITON  
 Counter flange: ..... stainless steel AISI CF8M  
 Mechanical seal: ..... carbon/SiC

### Materials used IN-VB 85/125

Pump housing: ..... stainless steel AISI CF8  
 Sleeve: ..... stainless steel AISI 304  
 Diffusers: ..... stainless steel AISI CF8  
 Top plate: ..... stainless steel AISI CF8  
 Impellers: ..... stainless steel AISI CF8  
 Shaft sleeve: ..... stainless steel AISI 304  
 Shaft: ..... stainless steel AISI 431  
 Bearings: ..... aluminium oxide  
 Shaft protection sleeve: ..... tungsten carbide  
 Base plate: ..... cast iron JS 1030  
 Lantern: ..... cast iron JL 1040  
 Plug: ..... stainless steel AISI 304  
 Elastomers: ..... EPDM  
 Mechanical seal: ..... carbon/SiC

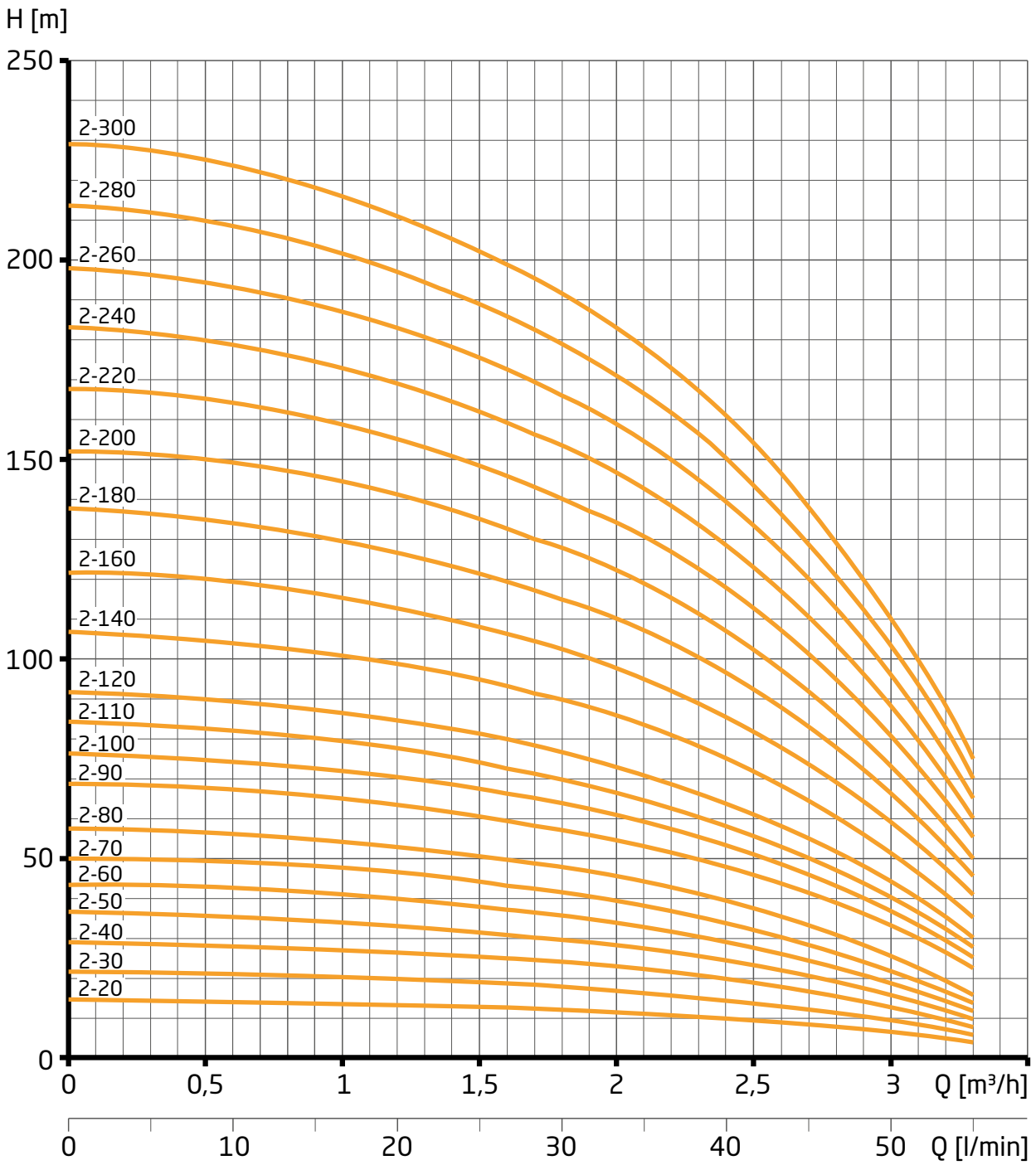
### Materials used IN-VB-S 85/125

Pump housing: ..... stainless steel AISI CF8M  
 Sleeve: ..... stainless steel AISI CF8M  
 Diffusers: ..... stainless steel AISI CF8M  
 Top plate: ..... stainless steel AISI CF8M  
 Impellers: ..... stainless steel AISI CF8M  
 Shaft sleeve: ..... stainless steel AISI 316 L  
 Shaft: ..... stainless steel AISI 329  
 Bearings: ..... aluminium oxide  
 Shaft protection sleeve: ..... tungsten carbide  
 Base plate: ..... cast iron JS 1030  
 Lantern: ..... cast iron JL 1040  
 Plug: ..... stainless steel AISI 316 L  
 Elastomers: ..... VITON  
 Mechanical seal: ..... carbon/SiC

#### Motor data

<b>P [kW]</b>		0.37	0.55	0.75	1.10	1.50	2.20	3.00	4.00	5.50
<b>I<sub>N</sub> [A]</b>	3~ 400 V	0.95	1.20	1.80	2.30	3.20	4.60	5.80	7.40	10.00
<b>I<sub>max.</sub> [A]</b>	3~ 400 V	1.40	1.50	2.40	3.10	4.60	6.20	7.50	9.80	15.00
<b>P [kW]</b>		7.50	11.00	15.00	18.00	22.00	30.00	37.00	45.00	
<b>I<sub>N</sub> [A]</b>	3~ 400 V	13.30	19.30	26.20	32.10	38.10	51.60	63.30	76.80	
<b>I<sub>max.</sub> [A]</b>	3~ 400 V	18.10	27.00	36.70	40.30	53.70	59.30	72.80	88.30	

IN-VB 2

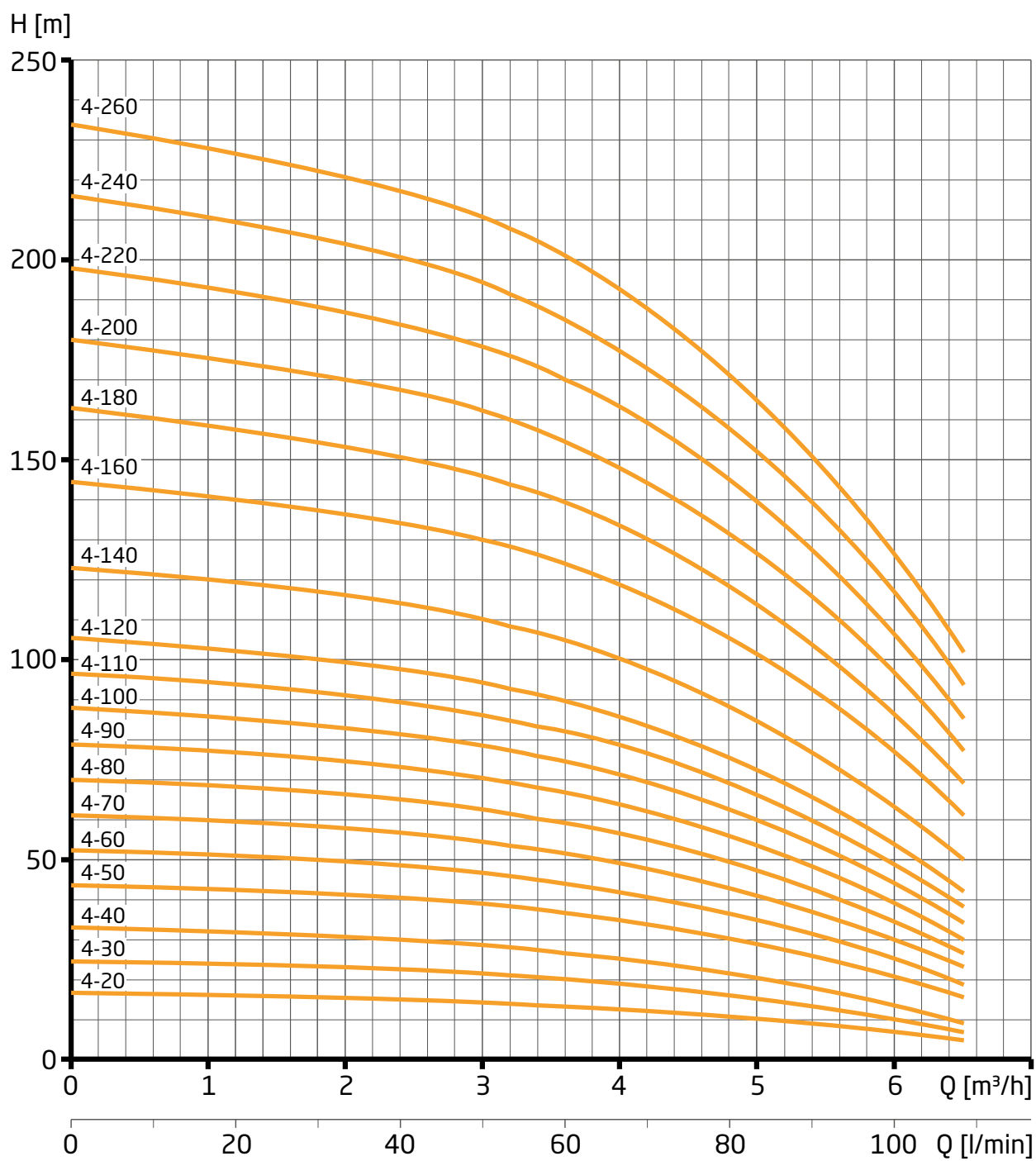






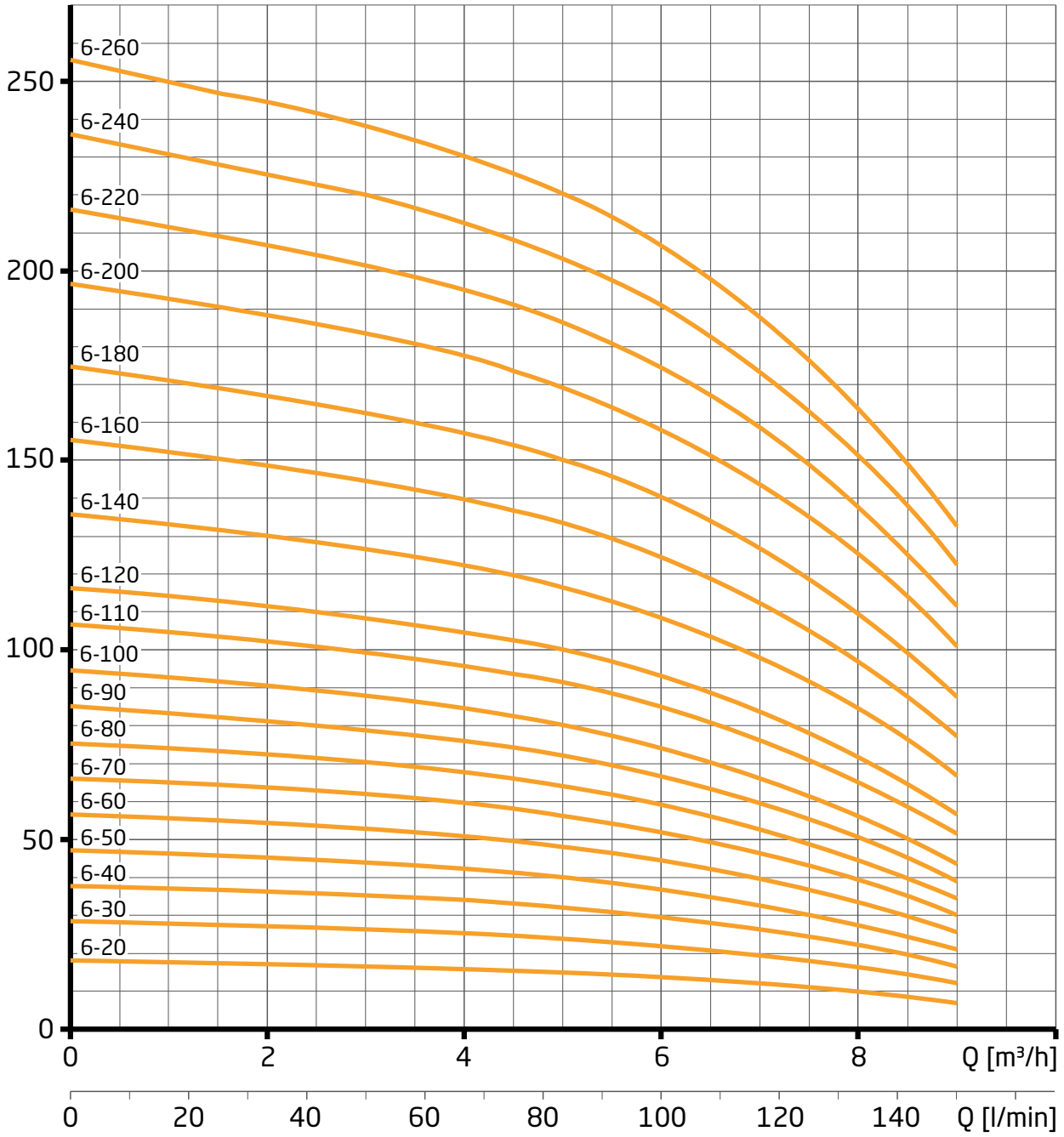
## Characteristics

### IN-VB 4



IN-VB 6

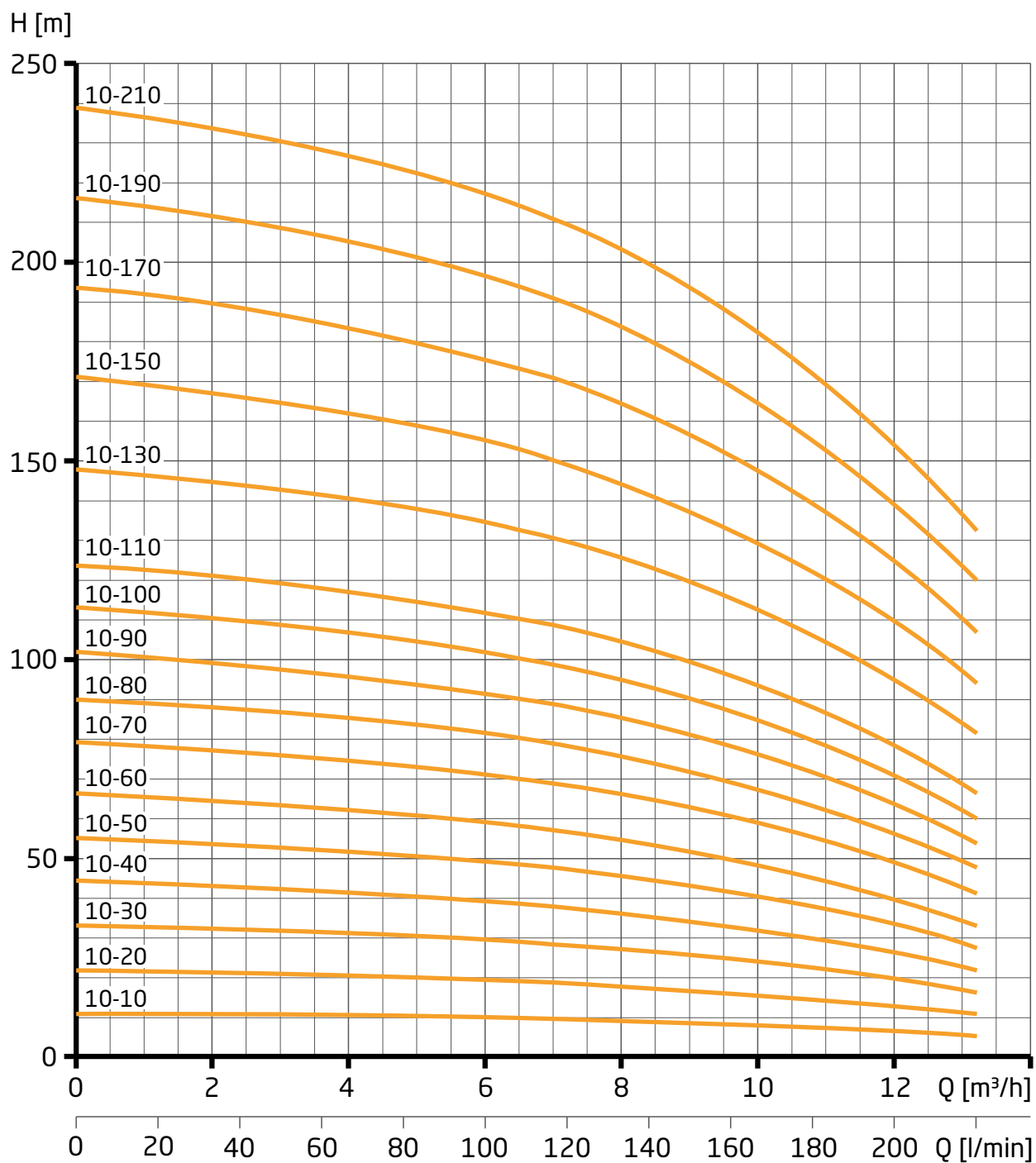
H [m]





## Characteristics

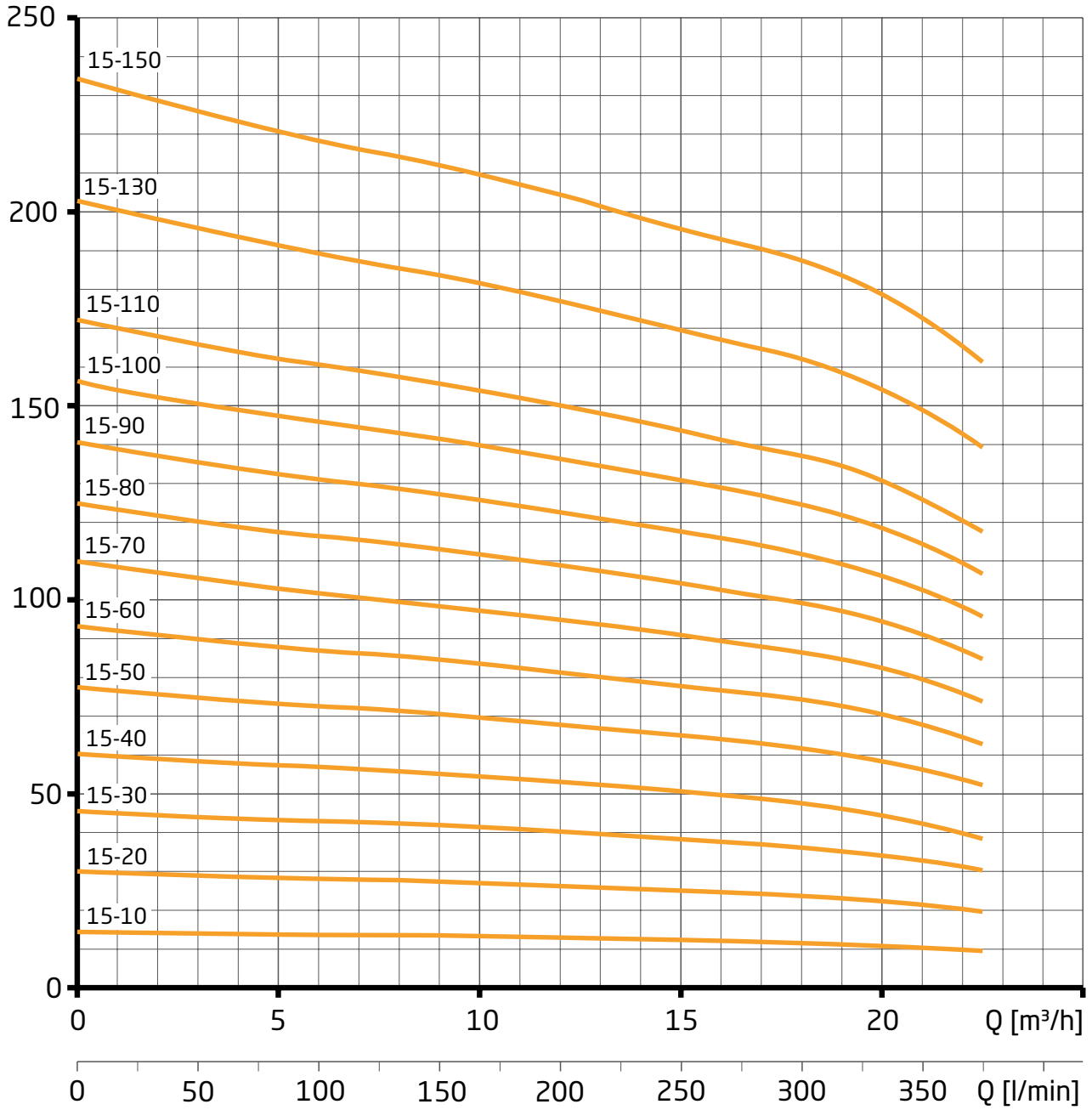
### IN-VB 10



Characteristics

IN-VC 15

H [m]



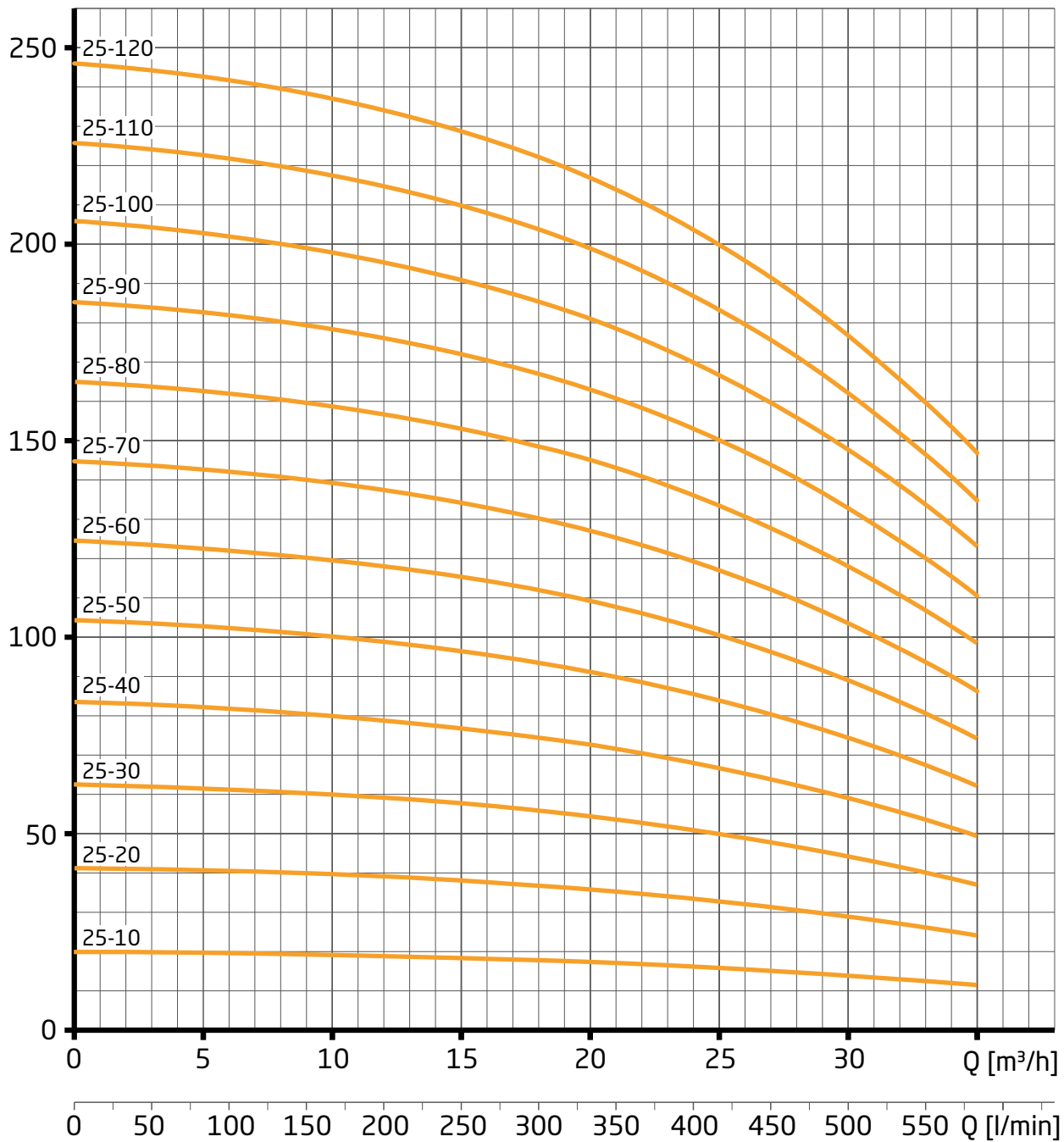
Vertical pumps



## Characteristics

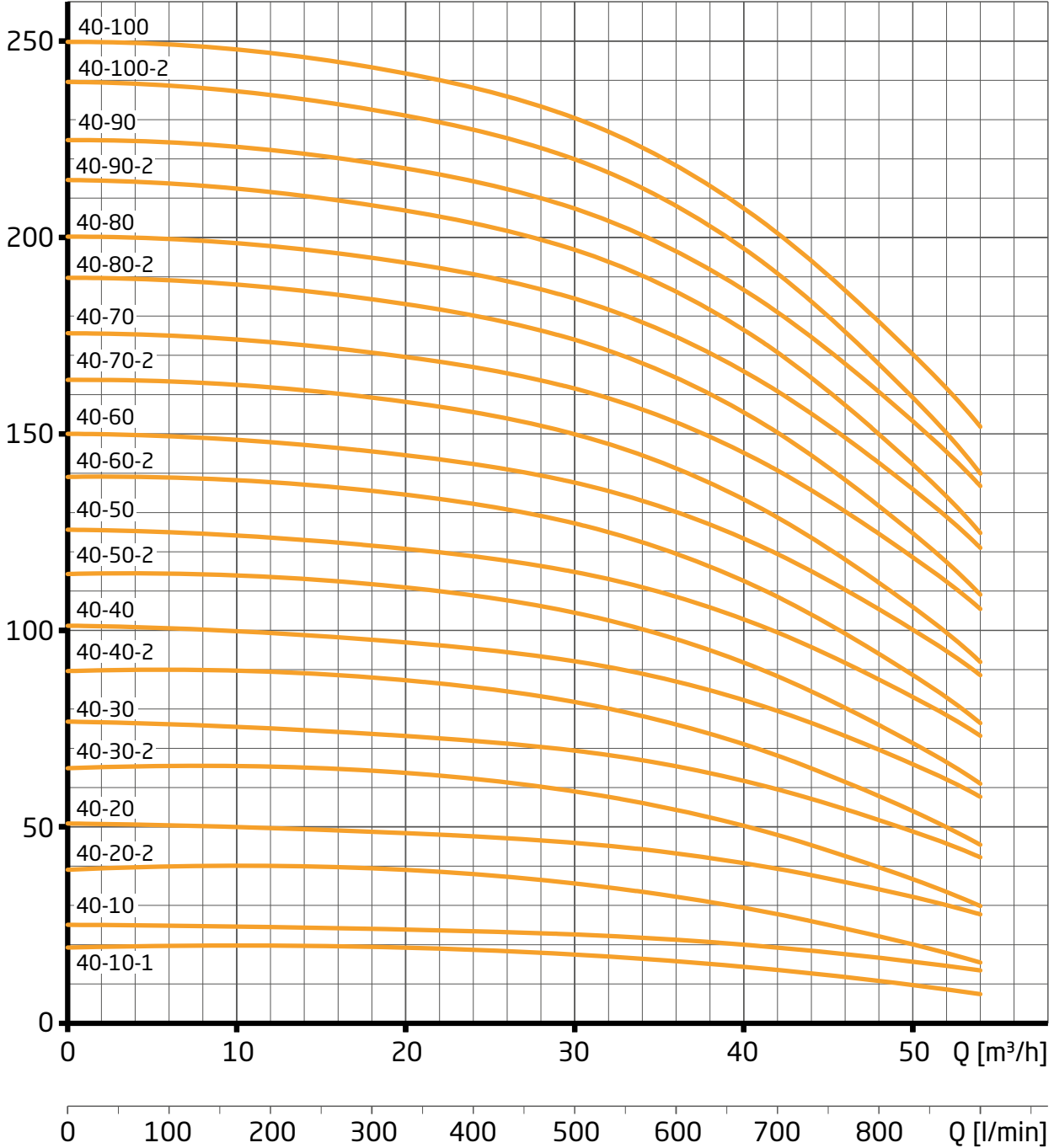
### IN-VB 25

H [m]



IN-VB 40

H [m]

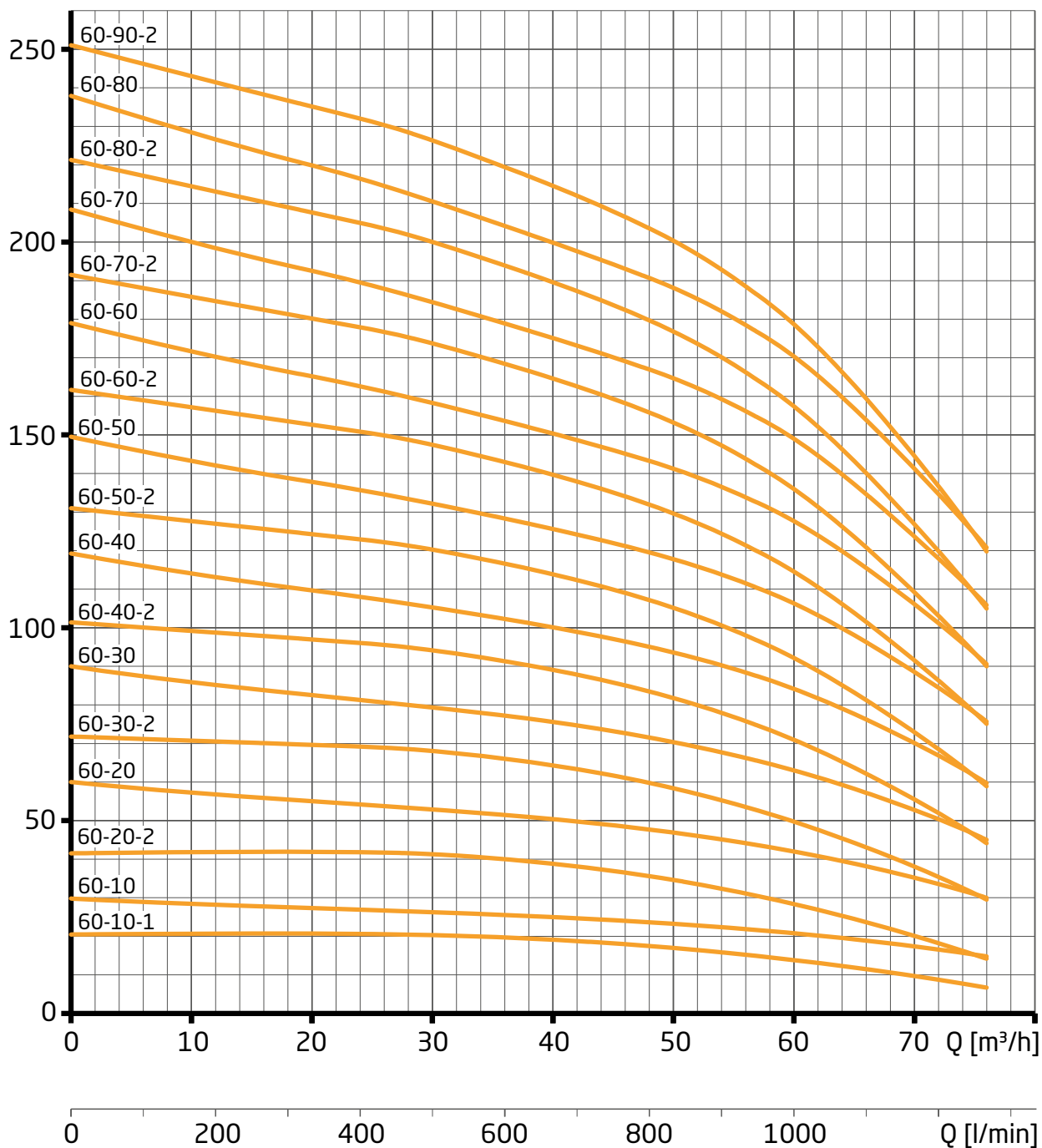




## Characteristics

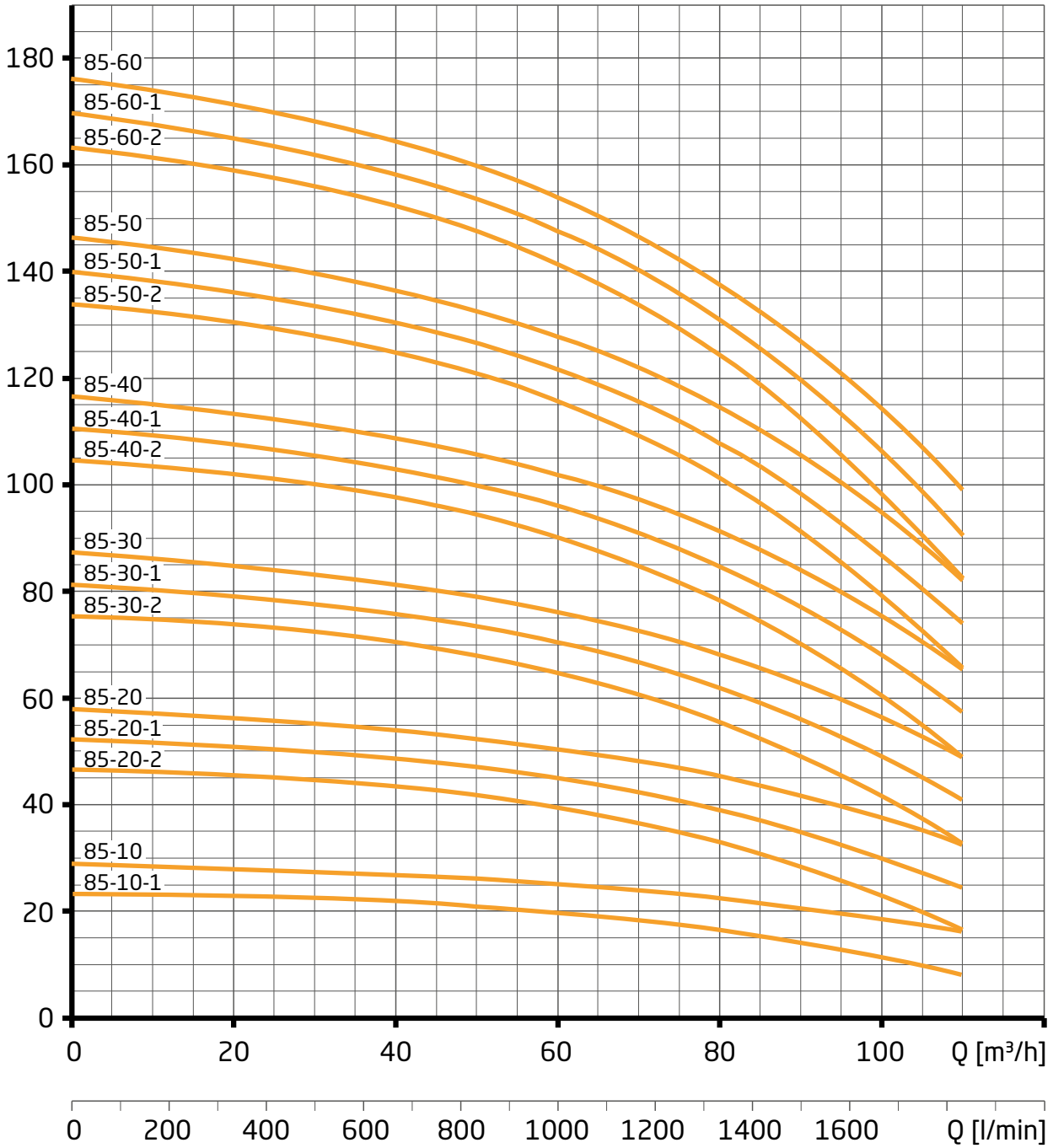
### IN-VB 60

H [m]



IN-VB 85

H [m]



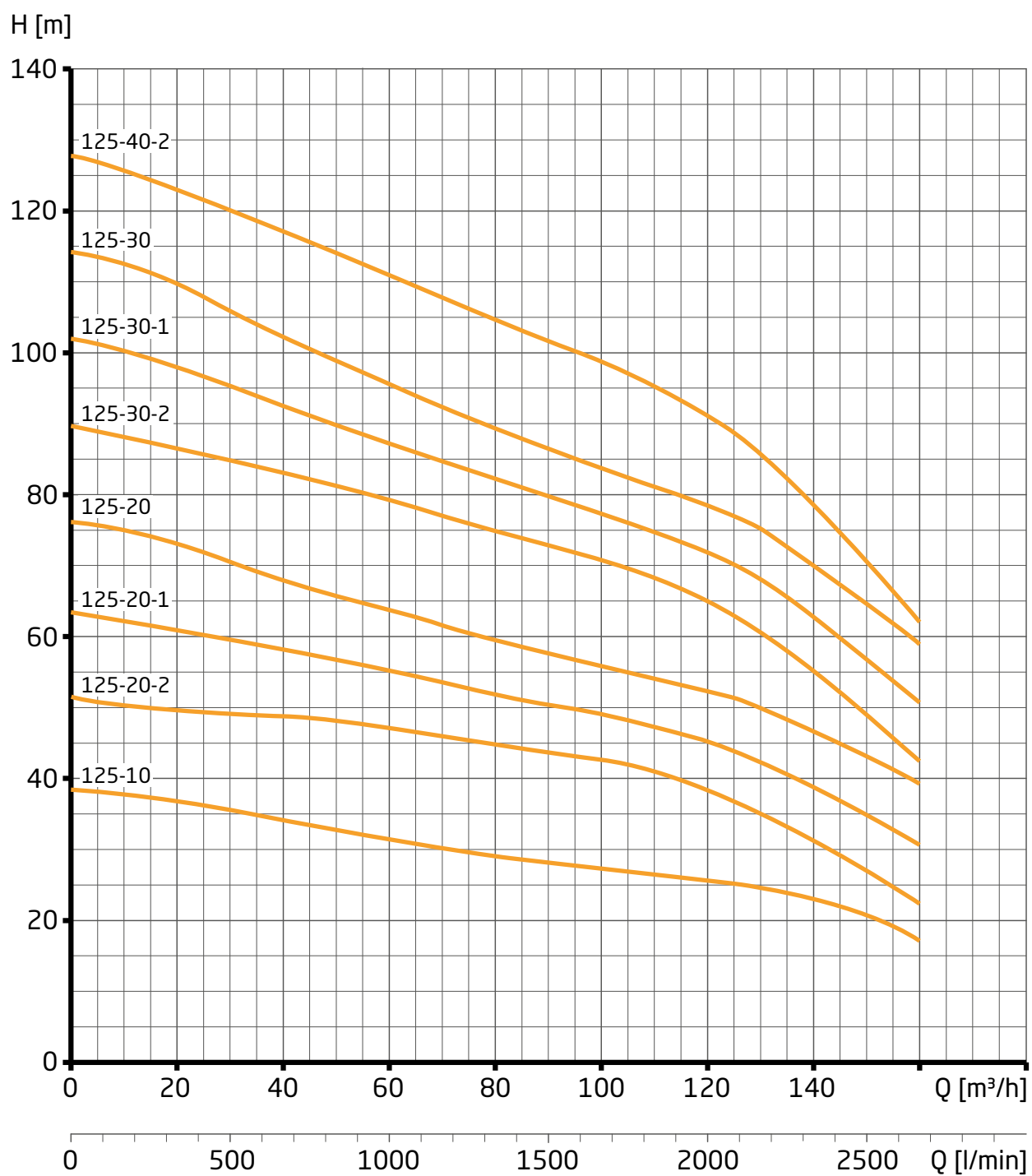
Vertical pumps





## Characteristics

### IN-VB 125



**Technical data**

Typ	Inlet connection	Outlet connection	Power output P <sub>2</sub> (kW)	Rated current (A) 3~ 400 V	Approx. weight (kg)
IN-VB(-S) 2-20	Rp 1	Rp 1	0.37	0.95	18.00
IN-VB(-S) 2-30	Rp 1	Rp 1	0.37	0.95	18.00
IN-VB(-S) 2-40	Rp 1	Rp 1	0.37	0.95	18.00
IN-VB(-S) 2-50	Rp 1	Rp 1	0.37	0.95	19.00
IN-VB(-S) 2-60	Rp 1	Rp 1	0.55	1.20	19.00
IN-VB(-S) 2-70	Rp 1	Rp 1	0.55	1.20	20.00
IN-VB(-S) 2-80	Rp 1	Rp 1	0.55	1.20	20.00
IN-VB(-S) 2-90	Rp 1	Rp 1	0.75	1.80	27.00
IN-VB(-S) 2-100	Rp 1	Rp 1	0.75	1.80	27.00
IN-VB(-S) 2-110	Rp 1	Rp 1	1.10	2.30	28.00
IN-VB(-S) 2-120	Rp 1	Rp 1	1.10	2.30	28.00
IN-VB(-S) 2-140	Rp 1	Rp 1	1.10	2.30	29.00
IN-VB(-S) 2-160	Rp 1	Rp 1	1.50	3.20	36.00
IN-VB(-S) 2-180	Rp 1	Rp 1	1.50	3.20	36.00
IN-VB(-S) 2-200	Rp 1	Rp 1	1.50	3.20	37.00
IN-VB(-S) 2-220 F	DN 25	DN 25	2.20	4.60	46.00
IN-VB(-S) 2-240 F	DN 25	DN 25	2.20	4.60	46.00
IN-VB(-S) 2-260 F	DN 25	DN 25	2.20	4.60	47.00
IN-VB(-S) 2-280 F	DN 25	DN 25	2.20	4.60	48.00
IN-VB(-S) 2-300 F	DN 25	DN 25	2.20	4.60	64.00
IN-VB(-S) 4-20	Rp 1 ¼	Rp 1 ¼	0.37	0.95	18.00
IN-VB(-S) 4-30	Rp 1 ¼	Rp 1 ¼	0.55	1.20	18.00
IN-VB(-S) 4-40	Rp 1 ¼	Rp 1 ¼	0.55	1.20	19.00
IN-VB(-S) 4-50	Rp 1 ¼	Rp 1 ¼	0.75	1.80	25.00
IN-VB(-S) 4-60	Rp 1 ¼	Rp 1 ¼	1.10	2.30	26.00
IN-VB(-S) 4-70	Rp 1 ¼	Rp 1 ¼	1.10	2.30	26.00
IN-VB(-S) 4-80	Rp 1 ¼	Rp 1 ¼	1.50	3.20	32.00
IN-VB(-S) 4-90	Rp 1 ¼	Rp 1 ¼	1.50	3.20	33.00
IN-VB(-S) 4-100	Rp 1 ¼	Rp 1 ¼	1.50	3.20	33.00
IN-VB(-S) 4-110	Rp 1 ¼	Rp 1 ¼	2.20	4.60	34.00
IN-VB(-S) 4-120	Rp 1 ¼	Rp 1 ¼	2.20	4.60	35.00
IN-VB(-S) 4-140	Rp 1 ¼	Rp 1 ¼	2.20	4.60	36.00
IN-VB(-S) 4-160	Rp 1 ¼	Rp 1 ¼	3.00	5.80	47.00
IN-VB(-S) 4-180 F	DN 32	DN 32	3.00	5.80	53.00
IN-VB(-S) 4-200 F	DN 32	DN 32	3.00	5.80	53.00
IN-VB(-S) 4-220 F	DN 32	DN 32	4.00	7.40	61.00
IN-VB(-S) 4-240 F	DN 32	DN 32	4.00	7.40	62.00
IN-VB(-S) 4-260 F	DN 32	DN 32	4.00	7.40	78.00
IN-VB(-S) 6-20	Rp 1 ¼	Rp 1 ¼	0.37	0.95	18.00
IN-VB(-S) 6-30	Rp 1 ¼	Rp 1 ¼	0.75	1.80	25.00
IN-VB(-S) 6-40	Rp 1 ¼	Rp 1 ¼	1.10	2.30	25.00
IN-VB(-S) 6-50	Rp 1 ¼	Rp 1 ¼	1.10	2.30	26.00
IN-VB(-S) 6-60	Rp 1 ¼	Rp 1 ¼	1.50	3.20	32.00
IN-VB(-S) 6-70	Rp 1 ¼	Rp 1 ¼	1.50	3.20	32.00
IN-VB(-S) 6-80	Rp 1 ¼	Rp 1 ¼	2.20	4.60	34.00
IN-VB(-S) 6-90	Rp 1 ¼	Rp 1 ¼	2.20	4.60	34.00
IN-VB(-S) 6-100	Rp 1 ¼	Rp 1 ¼	2.20	4.60	35.00
IN-VB(-S) 6-110	Rp 1 ¼	Rp 1 ¼	3.00	5.80	45.00
IN-VB(-S) 6-120	Rp 1 ¼	Rp 1 ¼	3.00	5.80	46.00
IN-VB(-S) 6-140	Rp 1 ¼	Rp 1 ¼	3.00	5.80	47.00
IN-VB(-S) 6-160	Rp 1 ¼	Rp 1 ¼	4.00	7.40	51.00
IN-VB(-S) 6-180 F	DN 32	DN 32	4.00	7.40	62.00
IN-VB(-S) 6-200 F	DN 32	DN 32	5.50	10.00	97.00
IN-VB(-S) 6-220 F	DN 32	DN 32	5.50	10.00	98.00
IN-VB(-S) 6-240 F	DN 32	DN 32	5.50	10.00	99.00
IN-VB(-S) 6-260 F	DN 32	DN 32	5.50	10.00	100.00



## Technical data

Typ	Inlet connection	Outlet connection	Power output $P_2$ (kW)	Rated current (A) 3~ 400 V	Approx. weight (kg)
IN-VB(-S) 10-10	Rp 1 ½	Rp 1 ½	0.75	1.80	32.00
IN-VB(-S) 10-20	Rp 1 ½	Rp 1 ½	0.75	1.80	33.00
IN-VB(-S) 10-30	Rp 1 ½	Rp 1 ½	1.10	2.30	36.00
IN-VB(-S) 10-40	Rp 1 ½	Rp 1 ½	1.50	3.20	41.00
IN-VB(-S) 10-50	Rp 1 ½	Rp 1 ½	2.20	4.60	45.00
IN-VB(-S) 10-60	Rp 1 ½	Rp 1 ½	2.20	4.60	45.00
IN-VB(-S) 10-70	Rp 1 ½	Rp 1 ½	3.00	5.80	54.00
IN-VB(-S) 10-80	Rp 1 ½	Rp 1 ½	3.00	5.80	55.00
IN-VB(-S) 10-90	Rp 1 ½	Rp 1 ½	4.00	7.40	62.00
IN-VB(-S) 10-100	Rp 1 ½	Rp 1 ½	4.00	7.40	63.00
IN-VB(-S) 10-110	Rp 1 ½	Rp 1 ½	4.00	7.40	64.00
IN-VB(-S) 10-130	Rp 1 ½	Rp 1 ½	5.50	10.00	104.00
IN-VB(-S) 10-150 F	DN 40	DN 40	5.50	10.00	108.00
IN-VB(-S) 10-170 F	DN 40	DN 40	7.50	13.30	116.00
IN-VB(-S) 10-190 F	DN 40	DN 40	7.50	13.30	118.00
IN-VB(-S) 10-210 F	DN 40	DN 40	7.50	13.30	120.00
IN-VC(-S) 15-10 F	DN 50	DN 50	1.10	2.30	39.00
IN-VC(-S) 15-20 F	DN 50	DN 50	2.20	4.60	49.00
IN-VC(-S) 15-30 F	DN 50	DN 50	3.00	5.80	58.00
IN-VC(-S) 15-40 F	DN 50	DN 50	4.00	7.40	68.00
IN-VC(-S) 15-50 F	DN 50	DN 50	5.50	10.00	108.00
IN-VC(-S) 15-60 F	DN 50	DN 50	7.50	13.30	109.00
IN-VC(-S) 15-70 F	DN 50	DN 50	7.50	13.30	110.00
IN-VC(-S) 15-80 F	DN 50	DN 50	11.00	19.30	189.00
IN-VC(-S) 15-90 F	DN 50	DN 50	11.00	19.30	196.00
IN-VC(-S) 15-100 F	DN 50	DN 50	11.00	19.30	197.00
IN-VC(-S) 15-110 F	DN 50	DN 50	11.00	19.30	198.00
IN-VC(-S) 15-130 F	DN 50	DN 50	15.00	26.20	230.00
IN-VC(-S) 15-150 F	DN 50	DN 50	15.00	26.20	235.00
IN-VB(-S) 25-10 F	DN 65	DN 65	2.20	4.60	70.00
IN-VB(-S) 25-20 F	DN 65	DN 65	4.00	7.40	85.00
IN-VB(-S) 25-30 F	DN 65	DN 65	5.50	10.00	114.00
IN-VB(-S) 25-40 F	DN 65	DN 65	7.50	13.30	121.00
IN-VB(-S) 25-50 F	DN 65	DN 65	11.00	19.30	203.00
IN-VB(-S) 25-60 F	DN 65	DN 65	11.00	19.30	206.00
IN-VB(-S) 25-70 F	DN 65	DN 65	15.00	26.20	218.00
IN-VB(-S) 25-80 F	DN 65	DN 65	15.00	26.20	218.00
IN-VB(-S) 25-90 F	DN 65	DN 65	15.00	26.20	231.00
IN-VB(-S) 25-100 F	DN 65	DN 65	18.50	32.10	251.00
IN-VB(-S) 25-110 F	DN 65	DN 65	18.50	32.10	253.00
IN-VB(-S) 25-120 F	DN 65	DN 65	22.00	38.10	294.00
IN-VB(-S) 40-10-1 F	DN 80	DN 80	3.00	5.80	92.00
IN-VB(-S) 40-10 F	DN 80	DN 80	4.00	7.40	98.00
IN-VB(-S) 40-20- 2 F	DN 80	DN 80	5.50	10.00	129.00
IN-VB(-S) 40-20 F	DN 80	DN 80	7.50	13.30	133.00
IN-VB(-S) 40-30-2 F	DN 80	DN 80	11.00	19.30	214.00
IN-VB(-S) 40-30 F	DN 80	DN 80	11.00	19.30	214.00
IN-VB(-S) 40-40-2 F	DN 80	DN 80	15.00	26.20	230.00
IN-VB(-S) 40-40 F	DN 80	DN 80	15.00	26.20	230.00
IN-VB(-S) 40-50-2 F	DN 80	DN 80	18.50	32.10	261.00
IN-VB(-S) 40-50 F	DN 80	DN 80	18.50	32.10	261.00
IN-VB(-S) 40-60-2 F	DN 80	DN 80	18.50	32.10	264.00
IN-VB(-S) 40-60 F	DN 80	DN 80	22.00	38.10	300.00

## Technical data

Type	Inlet connection	Outlet connection	Power output $P_2$ (kW)	Rated current (A) 3~ 400 V	Approx. weight (kg)
IN-VB(-S) 40-70-2 F	DN 80	DN 80	22.00	38.10	308.00
IN-VB(-S) 40-70 F	DN 80	DN 80	30.00	51.60	374.00
IN-VB(-S) 40-80-2 F	DN 80	DN 80	30.00	51.60	397.00
IN-VB(-S) 40-80 F	DN 80	DN 80	30.00	51.60	397.00
IN-VB(-S) 40-90-2 F	DN 80	DN 80	30.00	51.60	402.00
IN-VB(-S) 40-90 F	DN 80	DN 80	37.00	63.30	406.00
IN-VB(-S) 40-100-2 F	DN 80	DN 80	37.00	63.30	410.00
IN-VB(-S) 40-100 F	DN 80	DN 80	37.00	63.30	410.00
IN-VB(-S) 60-10-1 F	DN 100	DN 100	4.00	7.40	102.00
IN-VB(-S) 60-10 F	DN 100	DN 100	5.50	10.00	130.00
IN-VB(-S) 60-20-2 F	DN 100	DN 100	7.50	13.30	138.00
IN-VB(-S) 60-20 F	DN 100	DN 100	11.00	19.30	215.00
IN-VB(-S) 60-30-2 F	DN 100	DN 100	15.00	26.20	228.00
IN-VB(-S) 60-30 F	DN 100	DN 100	18.50	32.10	245.00
IN-VB(-S) 60-40-2 F	DN 100	DN 100	18.50	32.10	251.00
IN-VB(-S) 60-40 F	DN 100	DN 100	22.00	38.10	287.00
IN-VB(-S) 60-50-2 F	DN 100	DN 100	22.00	38.10	300.00
IN-VB(-S) 60-50 F	DN 100	DN 100	30.00	51.60	362.00
IN-VB(-S) 60-60-2 F	DN 100	DN 100	30.00	51.60	370.00
IN-VB(-S) 60-60 F	DN 100	DN 100	30.00	51.60	376.00
IN-VB(-S) 60-70-2 F	DN 100	DN 100	37.00	63.30	384.00
IN-VB(-S) 60-70 F	DN 100	DN 100	37.00	63.30	384.00
IN-VB(-S) 60-80-2 F	DN 100	DN 100	37.00	63.30	407.00
IN-VB(-S) 60-80 F	DN 100	DN 100	45.00	76.80	484.00
IN-VB(-S) 60-90-2 F	DN 100	DN 100	45.00	76.80	488.00
IN-VB(-S) 85-10-1 F	DN 100	DN 100	5.50	10.00	126.00
IN-VB(-S) 85-10 F	DN 100	DN 100	7.50	13.30	155.00
IN-VB(-S) 85-20-2 F	DN 100	DN 100	11.00	19.30	208.00
IN-VB(-S) 85-20-1 F	DN 100	DN 100	15.00	26.20	214.00
IN-VB(-S) 85-20 F	DN 100	DN 100	15.00	26.20	214.00
IN-VB(-S) 85-30-2 F	DN 100	DN 100	18.50	32.10	238.00
IN-VB(-S) 85-30-1 F	DN 100	DN 100	22.00	38.10	274.00
IN-VB(-S) 85-30 F	DN 100	DN 100	22.00	38.10	274.00
IN-VB(-S) 85-40-2 F	DN 100	DN 100	30.00	51.60	376.00
IN-VB(-S) 85-40-1 F	DN 100	DN 100	30.00	51.60	376.00
IN-VB(-S) 85-40 F	DN 100	DN 100	30.00	51.60	376.00
IN-VB(-S) 85-50-2 F	DN 100	DN 100	37.00	63.30	406.00
IN-VB(-S) 85-50-1 F	DN 100	DN 100	37.00	63.30	406.00
IN-VB(-S) 85-50 F	DN 100	DN 100	37.00	63.30	406.00
IN-VB(-S) 85-60-2 F	DN 100	DN 100	45.00	76.80	564.00
IN-VB(-S) 85-60-1 F	DN 100	DN 100	45.00	76.80	564.00
IN-VB(-S) 85-60 F	DN 100	DN 100	45.00	76.80	564.00
IN-VB(-S) 125-10 F	DN 125	DN 125	15.00	26.20	284.00
IN-VB(-S) 125-20-2 F	DN 125	DN 125	18.50	32.10	311.00
IN-VB(-S) 125-20-1 F	DN 125	DN 125	22.00	38.10	349.00
IN-VB(-S) 125-20 F	DN 125	DN 125	30.00	51.60	445.00
IN-VB(-S) 125-30-2 F	DN 125	DN 125	30.00	51.60	462.00
IN-VB(-S) 125-30-1 F	DN 125	DN 125	37.00	63.30	482.00
IN-VB(-S) 125-30 F	DN 125	DN 125	37.00	63.30	482.00
IN-VB(-S) 125-40-2 F	DN 125	DN 125	45.00	76.80	555.00



### Order information

Type	Article no.		Net RRP	Gross RRP
IN-VB 2-20	624.0202.067	X	643.87 €	766.21 €
IN-VB 2-30	624.0203.067	X	652.41 €	776.37 €
IN-VB 2-40	624.0204.067	X	692.90 €	824.55 €
IN-VB 2-50	624.0205.067	X	742.99 €	884.16 €
IN-VB 2-60	624.0206.067	X	776.06 €	923.51 €
IN-VB 2-70	624.0207.067	X	801.64 €	953.95 €
IN-VB 2-80	624.0208.067	X	833.61 €	992.00 €
IN-VB 2-90	624.0209.067	X	905.06 €	1,077.02 €
IN-VB 2-100	624.0210.067	X	948.76 €	1,129.02 €
IN-VB 2-110	624.0211.067	X	983.92 €	1,170.86 €
IN-VB 2-120	624.0212.067	X	1,029.76 €	1,225.41 €
IN-VB 2-140	624.0214.067	X	1,106.54 €	1,316.78 €
IN-VB 2-160	624.0216.067	X	1,261.10 €	1,500.71 €
IN-VB 2-180	624.0218.067	X	1,346.37 €	1,602.18 €
IN-VB 2-200	624.0220.067	X	1,431.66 €	1,703.68 €
IN-VB 2-220 F	624.0222.067		1,585.16 €	1,886.34 €
IN-VB 2-240 F	624.0224.067	X	1,673.64 €	1,991.63 €
IN-VB 2-260 F	624.0226.067	X	1,757.85 €	2,091.84 €
IN-VB 2-280 F	624.0228.067		1,845.26 €	2,195.86 €
IN-VB 2-300 F	624.0230.067		1,930.56 €	2,297.37 €
IN-VB 4-20	624.0402.067	X	672.65 €	800.45 €
IN-VB 4-30	624.0403.067	X	704.63 €	838.51 €
IN-VB 4-40	624.0404.067	X	778.21 €	926.07 €
IN-VB 4-50	624.0405.067	X	834.69 €	993.28 €
IN-VB 4-60	624.0406.067	X	907.17 €	1,079.53 €
IN-VB 4-70	624.0407.067	X	953.01 €	1,134.08 €
IN-VB 4-80	624.0408.067	X	1,079.88 €	1,285.06 €
IN-VB 4-90	624.0409.067	X	1,179.00 €	1,403.01 €
IN-VB 4-100	624.0410.067	X	1,268.55 €	1,509.57 €
IN-VB 4-110	624.0411.067	X	1,354.89 €	1,612.32 €
IN-VB 4-120	624.0412.067	X	1,383.70 €	1,646.60 €
IN-VB 4-140	624.0414.067	X	1,407.14 €	1,674.50 €
IN-VB 4-160	624.0416.067	X	1,633.13 €	1,943.42 €
IN-VB 4-180 F	624.0418.067		1,884.69 €	2,242.78 €
IN-VB 4-200 F	624.0420.067		1,965.72 €	2,339.21 €
IN-VB 4-220 F	624.0422.067		2,041.41 €	2,429.28 €
IN-VB 4-240 F	624.0424.067		2,358.02 €	2,806.04 €
IN-VB 4-260 F	624.0426.067		2,433.72 €	2,896.13 €

Type	Article no.	Net RRP	Gross RRP
IN-VB-S 2-20	624.0202.967	954.08 €	1,135.36 €
IN-VB-S 2-30	624.0203.967	1,000.99 €	1,191.18 €
IN-VB-S 2-40	624.0204.967	1,041.50 €	1,239.39 €
IN-VB-S 2-50	624.0205.967	1,076.67 €	1,281.24 €
IN-VB-S 2-60	624.0206.967	1,117.17 €	1,329.43 €
IN-VB-S 2-70	624.0207.967	1,143.83 €	1,361.16 €
IN-VB-S 2-80	624.0208.967	1,212.05 €	1,442.34 €
IN-VB-S 2-90	624.0209.967	1,304.80 €	1,552.71 €
IN-VB-S 2-100	624.0210.967	1,371.94 €	1,632.61 €
IN-VB-S 2-110	624.0211.967	1,428.46 €	1,699.87 €
IN-VB-S 2-120	624.0212.967	1,465.76 €	1,744.25 €
IN-VB-S 2-140	624.0214.967	1,547.85 €	1,841.94 €
IN-VB-S 2-160	624.0216.967	1,751.46 €	2,084.24 €
IN-VB-S 2-180	624.0218.967	1,877.26 €	2,233.94 €
IN-VB-S 2-200	624.0220.967	2,005.16 €	2,386.14 €
IN-VB-S 2-220 F	624.0222.967	2,275.93 €	2,708.36 €
IN-VB-S 2-240 F	624.0224.967	2,401.74 €	2,858.07 €
IN-VB-S 2-260 F	624.0226.967	2,530.71 €	3,011.54 €
IN-VB-S 2-280 F	624.0228.967	2,657.57 €	3,162.51 €
IN-VB-S 2-300 F	624.0230.967	2,786.56 €	3,316.01 €
IN-VB-S 4-20	624.0402.967	993.53 €	1,182.30 €
IN-VB-S 4-30	624.0403.967	1,022.30 €	1,216.54 €
IN-VB-S 4-40	624.0404.967	1,060.69 €	1,262.22 €
IN-VB-S 4-50	624.0405.967	1,139.56 €	1,356.08 €
IN-VB-S 4-60	624.0406.967	1,239.77 €	1,475.33 €
IN-VB-S 4-70	624.0407.967	1,347.44 €	1,603.45 €
IN-VB-S 4-80	624.0408.967	1,547.85 €	1,841.94 €
IN-VB-S 4-90	624.0409.967	1,667.26 €	1,984.04 €
IN-VB-S 4-100	624.0410.967	1,788.76 €	2,128.62 €
IN-VB-S 4-110	624.0411.967	1,890.04 €	2,249.15 €
IN-VB-S 4-120	624.0412.967	1,962.52 €	2,335.40 €
IN-VB-S 4-140	624.0414.967	2,032.87 €	2,419.12 €
IN-VB-S 4-160	624.0416.967	2,237.56 €	2,662.70 €
IN-VB-S 4-180 F	624.0418.967	2,444.36 €	2,908.79 €
IN-VB-S 4-200 F	624.0420.967	2,602.14 €	3,096.55 €
IN-VB-S 4-220 F	624.0422.967	2,724.74 €	3,242.44 €
IN-VB-S 4-240 F	624.0424.967	3,058.38 €	3,639.47 €
IN-VB-S 4-260 F	624.0426.967	3,282.24 €	3,905.87 €

Vertical pumps

X Warehouse goods, can be dispatched immediately

Order information

Type	Article no		Net RRP	Gross RRP
IN-VB 6-20	624.0602.067	X	832.54 €	990.72 €
IN-VB 6-30	624.0603.067	X	955.15 €	1,136.63 €
IN-VB 6-40	624.0604.067	X	1,059.60 €	1,260.92 €
IN-VB 6-50	624.0605.067	X	1,144.90 €	1,362.43 €
IN-VB 6-60	624.0606.067	X	1,323.99 €	1,575.55 €
IN-VB 6-70	624.0607.067	X	1,411.40 €	1,679.57 €
IN-VB 6-80	624.0608.067	X	1,510.54 €	1,797.54 €
IN-VB 6-90	624.0609.067	X	1,595.81 €	1,899.01 €
IN-VB 6-100	624.0610.067	X	1,685.36 €	2,005.58 €
IN-VB 6-110	624.0611.067		1,919.90 €	2,284.68 €
IN-VB 6-120	624.0612.067		2,004.10 €	2,384.88 €
IN-VB 6-140	624.0614.067		2,176.80 €	2,590.39 €
IN-VB 6-160	624.0616.067		2,444.36 €	2,908.79 €
IN-VB 6-180 F	624.0618.067		2,698.08 €	3,210.72 €
IN-VB 6-200 F	624.0620.067		3,231.07 €	3,844.97 €
IN-VB 6-220 F	624.0622.067		3,403.77 €	4,050.49 €
IN-VB 6-240 F	624.0624.067		3,578.61 €	4,258.55 €
IN-VB 6-260 F	624.0626.067		3,751.28 €	4,464.02 €
IN-VB 10-10	624.1001.067	X	938.10 €	1,116.34 €
IN-VB 10-20	624.1002.067	X	1,076.67 €	1,281.24 €
IN-VB 10-30	624.1003.067	X	1,283.48 €	1,527.34 €
IN-VB 10-40	624.1004.067	X	1,364.49 €	1,623.74 €
IN-VB 10-50	624.1005.067	X	1,555.31 €	1,850.82 €
IN-VB 10-60	624.1006.067	X	1,652.32 €	1,966.26 €
IN-VB 10-70	624.1007.067	X	1,870.85 €	2,226.31 €
IN-VB 10-80	624.1008.067	X	1,954.01 €	2,325.27 €
IN-VB 10-90	624.1009.067	X	2,168.27 €	2,580.24 €
IN-VB 10-100	624.1010.067	X	2,265.26 €	2,695.66 €
IN-VB 10-110	624.1011.067	X	2,358.02 €	2,806.04 €
IN-VB 10-130	624.1013.067	X	2,641.58 €	3,143.48 €
IN-VB 10-150 F	624.1015.067		3,336.62 €	3,970.58 €
IN-VB 10-170 F	624.1017.067		3,458.14 €	4,115.19 €
IN-VB 10-190 F	624.1019.067		4,067.90 €	4,840.80 €
IN-VB 10-210 F	624.1021.067		4,226.73 €	5,029.81 €
IN-VC 15-10 F	627.1501.067	X	1,123.58 €	1,337.06 €
IN-VC 15-20 F	627.1502.067	X	1,438.04 €	1,711.27 €
IN-VC 15-30 F	627.1503.067	X	1,607.54 €	1,912.97 €
IN-VC 15-40 F	627.1504.067	X	1,872.97 €	2,228.83 €
IN-VC 15-50 F	627.1505.067	X	2,399.61 €	2,855.54 €
IN-VC 15-60 F	627.1506.067	X	2,712.80 €	3,228.23 €
IN-VC 15-70 F	627.1507.067	X	2,887.82 €	3,436.51 €
IN-VC 15-80 F	627.1508.067		3,549.93 €	4,224.42 €
IN-VC 15-90 F	627.1509.067		3,789.68 €	4,509.72 €
IN-VC 15-100 F	627.1510.067		3,911.19 €	4,654.32 €
IN-VC 15-110 F	627.1511.067		4,034.86 €	4,801.48 €
IN-VC 15-130 F	627.1513.067		4,743.77 €	5,645.09 €
IN-VC 15-150 F	627.1515.067		5,392.93 €	6,417.59 €

Type	Article no.	Net RRP	Gross RRP
IN-VB-S 6-20	624.0602.967	1,057.49 €	1,258.41 €
IN-VB-S 6-30	624.0603.967	1,213.11 €	1,443.60 €
IN-VB-S 6-40	624.0604.967	1,349.59 €	1,606.01 €
IN-VB-S 6-50	624.0605.967	1,470.03 €	1,749.34 €
IN-VB-S 6-60	624.0606.967	1,691.76 €	2,013.19 €
IN-VB-S 6-70	624.0607.967	1,754.64 €	2,088.02 €
IN-VB-S 6-80	624.0608.967	1,883.64 €	2,241.53 €
IN-VB-S 6-90	624.0609.967	2,003.03 €	2,383.61 €
IN-VB-S 6-100	624.0610.967	2,116.03 €	2,518.08 €
IN-VB-S 6-110	624.0611.967	2,386.80 €	2,840.29 €
IN-VB-S 6-120	624.0612.967	2,502.99 €	2,978.56 €
IN-VB-S 6-140	624.0614.967	2,735.37 €	3,255.09 €
IN-VB-S 6-160	624.0616.967	3,064.80 €	3,647.11 €
IN-VB-S 6-180 F	624.0618.967	3,463.47 €	4,121.53 €
IN-VB-S 6-200 F	624.0620.967	4,071.11 €	4,844.62 €
IN-VB-S 6-220 F	624.0622.967	4,300.30 €	5,117.36 €
IN-VB-S 6-240 F	624.0624.967	4,533.74 €	5,395.15 €
IN-VB-S 6-260 F	624.0626.967	4,765.07 €	5,670.43 €
IN-VB-S 10-10	624.1001.967	1,407.14 €	1,674.50 €
IN-VB-S 10-20	624.1002.967	1,484.97 €	1,767.11 €
IN-VB-S 10-30	624.1003.967	1,579.83 €	1,880.00 €
IN-VB-S 10-40	624.1004.967	1,834.60 €	2,183.17 €
IN-VB-S 10-50	624.1005.967	2,028.63 €	2,414.07 €
IN-VB-S 10-60	624.1006.967	2,146.97 €	2,554.89 €
IN-VB-S 10-70	624.1007.967	2,292.98 €	2,728.65 €
IN-VB-S 10-80	624.1008.967	2,498.75 €	2,973.51 €
IN-VB-S 10-90	624.1009.967	2,819.59 €	3,355.31 €
IN-VB-S 10-100	624.1010.967	2,880.37 €	3,427.64 €
IN-VB-S 10-110	624.1011.967	2,973.12 €	3,538.01 €
IN-VB-S 10-130	624.1013.967	3,144.73 €	3,742.23 €
IN-VB-S 10-150 F	624.1015.967	4,071.11 €	4,844.62 €
IN-VB-S 10-170 F	624.1017.967	4,209.69 €	5,009.53 €
IN-VB-S 10-190 F	624.1019.967	4,982.54 €	5,929.22 €
IN-VB-S 10-210 F	624.1021.967	5,270.36 €	6,271.73 €
IN-VC-S 15-10 F	627.1501.967	1,577.71 €	1,877.47 €
IN-VC-S 15-20 F	627.1502.967	1,787.70 €	2,127.36 €
IN-VC-S 15-30 F	627.1503.967	1,965.72 €	2,339.21 €
IN-VC-S 15-40 F	627.1504.967	2,368.69 €	2,818.74 €
IN-VC-S 15-50 F	627.1505.967	2,884.62 €	3,432.70 €
IN-VC-S 15-60 F	627.1506.967	3,331.19 €	3,964.12 €
IN-VC-S 15-70 F	627.1507.967	3,437.89 €	4,091.09 €
IN-VC-S 15-80 F	627.1508.967	4,461.56 €	5,309.26 €
IN-VC-S 15-90 F	627.1509.967	4,582.78 €	5,453.51 €
IN-VC-S 15-100 F	627.1510.967	4,839.71 €	5,759.25 €
IN-VC-S 15-110 F	627.1511.967	5,113.66 €	6,085.26 €
IN-VC-S 15-130 F	627.1513.967	6,370.49 €	7,580.88 €
IN-VC-S 15-150 F	627.1515.967	6,718.02 €	7,994.44 €

X = Warehouse goods, can be dispatched immediately



### Order information

Type	Article no.		Net RRP	Gross RRP
IN-VB 25-10 F	624.2501.067	X	2,304.72 €	2,742.62 €
IN-VB 25-20 F	624.2502.067	X	2,575.48 €	3,064.82 €
IN-VB 25-30 F	624.2503.067	X	3,110.61 €	3,701.63 €
IN-VB 25-40 F	624.2504.067	X	3,400.58 €	4,046.69 €
IN-VB 25-50 F	624.2505.067	X	5,087.01 €	6,053.54 €
IN-VB 25-60 F	624.2506.067		5,379.12 €	6,401.15 €
IN-VB 25-70 F	624.2507.067		5,761.79 €	6,856.53 €
IN-VB 25-80 F	624.2508.067		6,097.59 €	7,256.13 €
IN-VB 25-90 F	624.2509.067		6,496.28 €	7,730.57 €
IN-VB 25-100 F	624.2510.067		7,619.85 €	9,067.62 €
IN-VB 25-110 F	624.2511.067		8,097.42 €	9,635.93 €
IN-VB 25-120 F	624.2512.067		8,648.55 €	10,291.77 €
IN-VB 40-10-1 F	624.4001.167		2,582.95 €	3,073.71 €
IN-VB 40-10 F	624.4001.067		2,969.92 €	3,534.20 €
IN-VB 40-20-2 F	624.4002.267		3,585.01 €	4,266.16 €
IN-VB 40-20 F	624.4002.067		3,785.39 €	4,504.61 €
IN-VB 40-30-2 F	624.4003.267		5,035.85 €	5,992.66 €
IN-VB 40-30 F	624.4003.067		5,387.62 €	6,411.27 €
IN-VB 40-40-2 F	624.4004.267	X	5,728.77 €	6,817.24 €
IN-VB 40-40 F	624.4004.067	X	5,981.40 €	7,117.87 €
IN-VB 40-50-2 F	624.4005.267	X	6,695.63 €	7,967.80 €
IN-VB 40-50 F	624.4005.067	X	7,653.96 €	9,108.21 €
IN-VB 40-60-2 F	624.4006.267	X	7,779.75 €	9,257.90 €
IN-VB 40-60 F	624.4006.067	X	7,900.20 €	9,401.24 €
IN-VB 40-70-2 F	624.4007.267		8,032.40 €	9,558.56 €
IN-VB 40-70 F	624.4007.067		9,282.83 €	11,046.57 €
IN-VB 40-80-2 F	624.4008.267		9,443.80 €	11,238.12 €
IN-VB 40-80 F	624.4008.067		9,451.27 €	11,247.01 €
IN-VB 40-90-2 F	624.4009.267		9,565.34 €	11,382.75 €
IN-VB 40-90 F	624.4009.067		12,571.47 €	14,960.05 €
IN-VB 40-100-2 F	624.4010.267		12,732.45 €	15,151.62 €
IN-VB 40-100 F	624.4010.067		13,200.41 €	15,708.49 €
IN-VB 60-10-1 F	624.6001.167		3,185.23 €	3,790.42 €
IN-VB 60-10 F	624.6001.067		3,755.57 €	4,469.13 €
IN-VB 60-20-2 F	624.6002.267		4,425.02 €	5,265.77 €
IN-VB 60-20 F	624.6002.067		5,510.22 €	6,557.16 €
IN-VB 60-30-2 F	624.6003.267		6,256.42 €	7,445.14 €
IN-VB 60-30 F	624.6003.067		7,030.35 €	8,366.12 €
IN-VB 60-40-2 F	624.6004.267		7,570.83 €	9,009.29 €
IN-VB 60-40 F	624.6004.067		8,195.50 €	9,752.65 €
IN-VB 60-50-2 F	624.6005.267		8,697.59 €	10,350.13 €
IN-VB 60-50 F	624.6005.067		9,158.12 €	10,898.16 €
IN-VB 60-60-2 F	624.6006.267		10,051.44 €	11,961.21 €
IN-VB 60-60 F	624.6006.067		10,523.68 €	12,523.18 €
IN-VB 60-70-2 F	624.6007.267		11,751.72 €	13,984.55 €
IN-VB 60-70 F	624.6007.067		11,839.13 €	14,088.56 €
IN-VB 60-80-2 F	624.6008.267		13,575.68 €	16,155.06 €
IN-VB 60-80 F	624.6008.067		13,586.31 €	16,167.71 €
IN-VB 60-90-2 F	624.6009.267		16,043.48 €	19,091.74 €

Type	Article no.	Net RRP	Gross RRP
IN-VB-S 25-10 F	624.2501.967	2,594.68 €	3,087.67 €
IN-VB-S 25-20 F	624.2502.967	3,134.08 €	3,729.56 €
IN-VB-S 25-30 F	624.2503.967	4,337.61 €	5,161.76 €
IN-VB-S 25-40 F	624.2504.967	5,028.38 €	5,983.77 €
IN-VB-S 25-50 F	624.2505.967	6,646.59 €	7,909.44 €
IN-VB-S 25-60 F	624.2506.967	6,959.98 €	8,282.38 €
IN-VB-S 25-70 F	624.2507.967	8,775.41 €	10,442.74 €
IN-VB-S 25-80 F	624.2508.967	8,818.05 €	10,493.48 €
IN-VB-S 25-90 F	624.2509.967	8,857.50 €	10,540.43 €
IN-VB-S 25-100 F	624.2510.967	9,982.13 €	11,878.73 €
IN-VB-S 25-110 F	624.2511.967	10,255.03 €	12,203.49 €
IN-VB-S 25-120 F	624.2512.967	11,608.87 €	13,814.56 €
IN-VB-S 40-10-1 F	624.4001.867	3,497.58 €	4,162.12 €
IN-VB-S 40-10 F	624.4001.967	3,753.42 €	4,466.57 €
IN-VB-S 40-20-2 F	624.4002.767	4,676.59 €	5,565.14 €
IN-VB-S 40-20 F	624.4002.967	4,893.00 €	5,822.67 €
IN-VB-S 40-30-2 F	624.4003.767	6,567.70 €	7,815.56 €
IN-VB-S 40-30 F	624.4003.967	6,833.13 €	8,131.42 €
IN-VB-S 40-40-2 F	624.4004.767	7,255.30 €	8,633.81 €
IN-VB-S 40-40 F	624.4004.967	8,245.61 €	9,812.28 €
IN-VB-S 40-50-2 F	624.4005.767	8,793.53 €	10,464.30 €
IN-VB-S 40-50 F	624.4005.967	9,886.20 €	11,764.58 €
IN-VB-S 40-60-2 F	624.4006.767	10,180.41 €	12,114.69 €
IN-VB-S 40-60 F	624.4006.967	11,079.06 €	13,184.08 €
IN-VB-S 40-70-2 F	624.4007.767	11,418.05 €	13,587.48 €
IN-VB-S 40-70 F	624.4007.967	12,746.31 €	15,168.11 €
IN-VB-S 40-80-2 F	624.4008.767	13,208.97 €	15,718.67 €
IN-VB-S 40-80 F	624.4008.967	13,215.35 €	15,726.27 €
IN-VB-S 40-90-2 F	624.4009.767	13,502.12 €	16,067.52 €
IN-VB-S 40-90 F	624.4009.967	14,373.05 €	17,103.93 €
IN-VB-S 40-100-2 F	624.4010.767	14,676.86 €	17,465.46 €
IN-VB-S 40-100 F	624.4010.967	14,677.93 €	17,466.74 €
IN-VB-S 60-10-1 F	624.6001.867	3,881.35 €	4,618.81 €
IN-VB-S 60-10 F	624.6001.967	4,458.07 €	5,305.10 €
IN-VB-S 60-20-2 F	624.6002.767	5,671.17 €	6,748.69 €
IN-VB-S 60-20 F	624.6002.967	6,910.97 €	8,224.05 €
IN-VB-S 60-30-2 F	624.6003.767	7,796.82 €	9,278.22 €
IN-VB-S 60-30 F	624.6003.967	8,730.63 €	10,389.45 €
IN-VB-S 60-40-2 F	624.6004.767	9,373.45 €	11,154.41 €
IN-VB-S 60-40 F	624.6004.967	10,160.16 €	12,090.59 €
IN-VB-S 60-50-2 F	624.6005.767	10,762.45 €	12,807.32 €
IN-VB-S 60-50 F	624.6005.967	11,326.37 €	13,478.38 €
IN-VB-S 60-60-2 F	624.6006.767	12,452.09 €	14,817.99 €
IN-VB-S 60-60 F	624.6006.967	13,020.26 €	15,494.11 €
IN-VB-S 60-70-2 F	624.6007.767	14,494.57 €	17,248.54 €
IN-VB-S 60-70 F	624.6007.967	14,643.80 €	17,426.12 €
IN-VB-S 60-80-2 F	624.6008.767	16,701.22 €	19,874.45 €
IN-VB-S 60-80 F	624.6008.967	16,726.79 €	19,904.88 €
IN-VB-S 60-90-2 F	624.6009.767	19,661.52 €	23,397.21 €

X = Warehouse goods, can be dispatched immediately

## Order information

Type	Article no.	Net RRP	Gross RRP
IN-VB 85-10-1 F	623.8501.167	4,152.11 €	4,941.01 €
IN-VB 85-10 F	623.8501.067	5,483.56 €	6,525.44 €
IN-VB 85-20-2 F	623.8502.267	6,745.72 €	8,027.41 €
IN-VB 85-20-1 F	623.8502.167	7,684.88 €	9,145.01 €
IN-VB 85-20 F	623.8502.067	8,503.57 €	10,119.25 €
IN-VB 85-30-2 F	623.8503.267	9,300.95 €	11,068.13 €
IN-VB 85-30-1 F	623.8503.167	9,923.51 €	11,808.98 €
IN-VB 85-30 F	623.8503.067	10,502.34 €	12,497.78 €
IN-VB 85-40-2 F	623.8504.267	11,108.91 €	13,219.60 €
IN-VB 85-40-1 F	623.8504.167	11,650.43 €	13,864.01 €
IN-VB 85-40 F	623.8504.067	12,204.78 €	14,523.69 €
IN-VB 85-50-2 F	623.8505.267	12,858.23 €	15,301.29 €
IN-VB 85-50-1 F	623.8505.167	13,495.73 €	16,059.92 €
IN-VB 85-50 F	623.8505.067	14,193.96 €	16,890.81 €
IN-VB 85-60-2 F	623.8506.267	15,057.43 €	17,918.34 €
IN-VB 85-60-1 F	623.8506.167	15,921.94 €	18,947.11 €
IN-VB 85-60 F	623.8506.067	16,864.31 €	20,068.53 €
IN-VB 125-10 F	624.1251.067	8,024.95 €	9,549.69 €
IN-VB 125-20-2 F	624.1252.267	9,529.08 €	11,339.61 €
IN-VB 125-20-1 F	624.1252.167	9,933.10 €	11,820.39 €
IN-VB 125-20 F	624.1252.067	10,524.73 €	12,524.43 €
IN-VB 125-30-2 F	624.1253.267	11,539.59 €	13,732.11 €
IN-VB 125-30-1 F	624.1253.167	11,728.27 €	13,956.64 €
IN-VB 125-30 F	624.1253.067	11,833.80 €	14,082.22 €
IN-VB 125-40-2 F	624.1254.267	13,814.45 €	16,439.20 €

Type	Article no.	Net RRP	Gross RRP
IN-VB-S 85-10-1 F	623.8501.867	4,427.16 €	5,268.32 €
IN-VB-S 85-10 F	623.8501.967	5,844.94 €	6,955.48 €
IN-VB-S 85-20-2 F	623.8502.767	7,193.45 €	8,560.21 €
IN-VB-S 85-20-1 F	623.8502.867	8,193.35 €	9,750.09 €
IN-VB-S 85-20 F	623.8502.967	9,067.50 €	10,790.33 €
IN-VB-S 85-30-2 F	623.8503.767	9,916.06 €	11,800.11 €
IN-VB-S 85-30-1 F	623.8503.867	10,575.89 €	12,585.31 €
IN-VB-S 85-30 F	623.8503.967	11,196.32 €	13,323.62 €
IN-VB-S 85-40-2 F	623.8504.767	11,841.25 €	14,091.09 €
IN-VB-S 85-40-1 F	623.8504.867	12,421.19 €	14,781.22 €
IN-VB-S 85-40 F	623.8504.967	13,013.87 €	15,486.51 €
IN-VB-S 85-50-2 F	623.8505.767	13,705.72 €	16,309.81 €
IN-VB-S 85-50-1 F	623.8505.867	14,389.03 €	17,122.95 €
IN-VB-S 85-50 F	623.8505.967	15,133.11 €	18,008.40 €
IN-VB-S 85-60-2 F	623.8506.767	16,048.81 €	19,098.08 €
IN-VB-S 85-60-1 F	623.8506.867	16,971.97 €	20,196.64 €
IN-VB-S 85-60 F	623.8506.967	17,979.36 €	21,395.44 €
IN-VB-S 125-10 F	624.1251.967	8,552.62 €	10,177.62 €
IN-VB-S 125-20-2 F	624.1252.767	10,016.23 €	11,919.31 €
IN-VB-S 125-20-1 F	624.1252.867	10,409.60 €	12,387.42 €
IN-VB-S 125-20 F	624.1252.967	10,983.12 €	13,069.91 €
IN-VB-S 125-30-2 F	624.1253.767	11,975.59 €	14,250.95 €
IN-VB-S 125-30-1 F	624.1253.867	12,155.74 €	14,465.33 €
IN-VB-S 125-30 F	624.1253.967	12,293.25 €	14,628.97 €
IN-VB-S 125-40-2 F	624.1254.767	14,187.55 €	16,883.18 €

## Supplements

Type	Article no.	Net RRP	Gross RRP
<b>IN-VB-L with low NPSH impeller</b>			
IN-VB-L 2 - 6	623.0200.084	68.86 €	81.94 €
IN-VB-L 10, IN-VC-L 15	623.1000.084	82.30 €	97.94 €
IN-VB-L 25 - 85 F	-		
IN-VB-L 125 F	-		
<b>IN-VB-C with cast iron housing</b>			
IN-VB-C 2 - 6	623.0200.094	132.19 €	157.31 €
IN-VB-C 10, IN-VC-C 15	623.1000.094	132.19 €	157.31 €
IN-VB-C 25 - 85 F	623.3200.094	198.27 €	235.94 €
IN-VB-C 125 F	623.1250.094	198.27 €	235.94 €
<b>Venting support</b>			
Venting support	560.6004.036	289.95 €	345.04 €





## Supplements

Type	Article no.	Max. rated pressure	Connections	Net RRP	Gross RRP
<b>Set of stainless steel, oval counter flanges, incl. screws and seals</b>					
IN-VB 2	623.0200.077		Rp 1	78.88 €	93.87 €
IN-VB 4	623.0400.077		Rp 1 ¼	113.01 €	134.48 €
IN-VB 6	623.0400.077		Rp 1 ¼	113.01 €	134.48 €
IN-VB 10	623.1000.077		Rp 1 ½	135.38 €	161.10 €
IN-VB 10	623.1000.078		Rp 2	163.10 €	194.09 €
<b>Round flanges instead of oval flanges</b>					
IN-VB 2	623.0200.076		Rp 1" up to DN 25	77.41 €	92.12 €
IN-VB-S 2	623.0200.976		Rp 1" up to DN 25	91.56 €	108.96 €
IN-VB 4	623.0400.076		Rp 1 ¼" up to DN 32	80.16 €	95.39 €
IN-VB-S 4	623.0400.976		Rp 1 ¼" up to DN 32	94.44 €	112.38 €
IN-VB 6	623.0400.076		Rp 1 ¼" up to DN 32	80.16 €	95.39 €
IN-VB-S 6	623.0400.976		Rp 1 ¼" up to DN 32	94.44 €	112.38 €
IN-VB 10	623.1000.076		Rp 1 ½" up to DN 40	84.54 €	100.60 €
IN-VB-S 10	623.1000.976		Rp 1 ½" up to DN 40	108.72 €	129.38 €
<b>Set of stainless steel, round counter flanges, incl. screws and seals</b>					
IN-VB 2 F	623.0200.075	PN 25	DN 25 up to Rp 1"	213.20 €	253.71 €
IN-VB 4 F	623.0400.075	PN 25	DN 32 up to Rp 1 ¼"	269.71 €	320.95 €
IN-VB 6 F	623.0400.075	PN 25	DN 32 up to Rp 1 ¼"	269.71 €	320.95 €
IN-VB 10 F	623.1000.075	PN 25	DN 40 up to Rp 1 ½"	296.35 €	352.66 €
IN-VC 15 F	623.1800.075	PN 25	DN 50 up to Rp 2"	390.15 €	464.28 €
IN-VB 25 F	623.3200.075	PN 25	DN 65 up to Rp 2 ½"	447.73 €	532.80 €
IN-VB 40 F	623.4500.075	PN 25	DN 80 up to Rp 3"	507.42 €	603.83 €
IN-VB 60/85 F	623.6500.074	PN 16	DN 100 up to Rp 4"	454.11 €	540.39 €
IN-VB 60/85 F	623.6500.075	PN 25	DN 100 up to Rp 4"	603.37 €	718.01 €
IN-VB 125 F	623.1250.076	PN 16	DN 125 up to Rp 5"	813.37 €	967.91 €
IN-VB 125 F	623.1250.075	PN 25	DN 125 up to Rp 5"	1,595.81 €	1,899.01 €

## Special mechanical seals

Type	Article no.	Size	Pressure	Net RRP	Gross RRP
<b>Easy Access (Standard IN-VB 25 - 85)</b>					
IN-VB 2 - 6	623.0200.095			77.49 €	92.21 €
IN-VB 10, IN-VC 15	623.1000.095			90.39 €	107.56 €
<b>Cartridge (Standard IN-VB 125)</b>					
IN-VB 2 - 6	623.0200.096			148.17 €	176.32 €
IN-VB 10, IN-VC 15	623.1000.096			160.96 €	191.54 €
IN-VB 25 - 85 F	623.3200.096			194.01 €	230.87 €
<b>Carbon/SiC/EPDM, code 11 (Standard IN-VB/IN-VC, PN 10)</b>					
IN-VB 2 - 6	623.0200.070	12	PN 10	74.61 €	88.79 €
IN-VB 10, IN-VC 15	623.1000.070	16	PN 10	84.54 €	100.60 €
IN-VB 25 - 85 F	623.3200.070	22	PN 10	183.36 €	218.20 €
<b>Carbon/SiC/Viton, code 12 (Standard, IN-VB-S/IN-VC-S, PN 10)</b>					
IN-VB 2 - 6	623.0200.071	12	PN 10	74.61 €	88.79 €
IN-VB 10, IN-VC 15	623.1000.071	16	PN 10	84.54 €	100.60 €
IN-VB 25 - 85 F	623.3200.071	22	PN 10	183.36 €	218.20 €

## Special mechanical seals

Type	Article no.	Size Ø	Pressure	Net RRP	Gross RRP
<b>SiC/carbon/EPDM, WRAS, code 13</b>					
IN-VB 2 - 6	623.0200.087	12	PN 25	74.61 €	88.79 €
IN-VB 10, IN-VC 15	623.1000.087	16	PN 25	84.54 €	100.60 €
IN-VB 25 - 85 F	623.3200.087	22	PN 25	183.36 €	218.20 €
<b>SiC/carbon/Viton, code 14 (Standard IN-VB-S/IN-VC-S, PN 25)</b>					
IN-VB 2 - 6	623.0200.068	12	PN 25	74.61 €	88.79 €
IN-VB 10, IN-VC 15	623.1000.068	16	PN 25	84.54 €	100.60 €
IN-VB 25 - 85 F	623.3200.068	22	PN 25	183.36 €	218.20 €
<b>TuC/TuC/HNBR, code 15</b>					
IN-VB 2 - 6	623.0200.066	12	PN 25	108.72 €	129.38 €
IN-VB 10, IN-VC 15	623.1000.073	16	PN 25	118.33 €	140.81 €
IN-VB 25 - 85 F	623.3200.073	22	PN 25	222.78 €	265.11 €
<b>TuC/TuC/Viton, code 16</b>					
IN-VB 2 - 6	623.0200.074	12	PN 25	108.72 €	129.38 €
IN-VB 10, IN-VC 15	623.1000.074	16	PN 25	118.33 €	140.81 €
IN-VB 25 - 85 F	623.3200.074	22	PN 25	222.78 €	265.11 €
<b>TuC/carbon/EPDM, code 18</b>					
IN-VB 2 - 6	623.0200.085	12	PN 25	108.72 €	129.38 €
IN-VB 10, IN-VC 15	623.1000.085	16	PN 25	118.33 €	140.81 €
IN-VB 25 - 85 F	623.3200.085	22	PN 25	222.78 €	265.11 €
<b>SiC/carbon/EPDM, code 23 (Standard IN-VB/IN-VC, PN 25)</b>					
IN-VB 2 - 6	623.0200.067	12	PN 25	74.61 €	88.79 €
IN-VB 10, IN-VC 15	623.1000.067	16	PN 25	84.54 €	100.60 €
IN-VB 25 - 85 F	623.3200.067	22	PN 25	183.36 €	218.20 €
<b>SiC/SiC/Viton, code 24</b>					
IN-VB 2 - 6	623.0200.091	12	PN 10	74.61 €	88.79 €
IN-VB 10, IN-VC 15	623.1000.091	16	PN 10	84.54 €	100.60 €
IN-VB 25 - 85 F	623.3200.091	22	PN 10	183.36 €	218.20 €
<b>SiC/SiC/HNBR, code 28</b>					
IN-VB 2 - 6	623.0200.092	12	PN 10	74.61 €	88.79 €
IN-VB 10, IN-VC 15	623.1000.092	16	PN 10	84.54 €	100.60 €
IN-VB 25 - 85 F	623.3200.092	22	PN 10	183.36 €	218.20 €
<b>SiC/SiC/EPDM, code 29</b>					
IN-VB 2 - 6	623.0200.093	12	PN 10	74.61 €	88.79 €
IN-VB 10, IN-VC 15	623.1000.093	16	PN 10	84.54 €	100.60 €
IN-VB 25 - 85 F	623.3200.093	22	PN 10	183.36 €	218.20 €
<b>eCa/eSiC/EPDM, Code 35 (Standard IN-VB 125)</b>					
IN-VB 125 F	623.1250.063	28	PN 25	74.61 €	88.79 €
<b>eCa/eSiC/Viton, Code 36 (Standard IN-VB-S 125)</b>					
IN-VB 125 F	623.1250.064	28	PN 25	74.61 €	88.79 €
<b>TuC/Kohle/Viton, Code 37</b>					
IN-VB 125 F	623.1250.065	28	PN 25	201.47 €	239.75 €

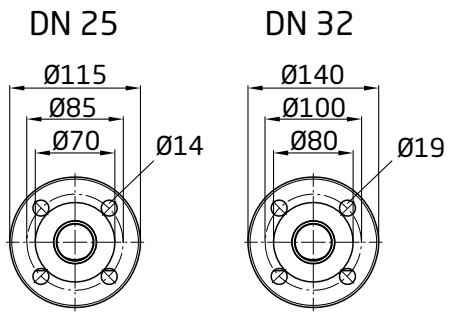


### Additional charges

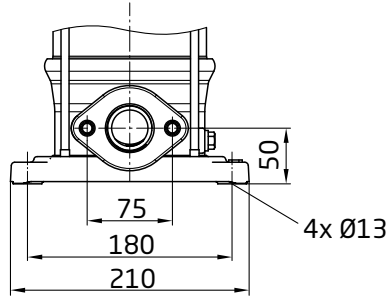
Motor-kw	Article no.	Net RRP	Gross RRP
<b>Enhanced motor performance 50/60 Hz</b>			
from 0.37 kW to 0.55 kW	629.9999.970	<b>68.76 €</b>	81.82 €
from 0.55 kW to 0.75 kW	629.9999.971	<b>103.72 €</b>	123.43 €
from 0.75 kW to 1.10 kW	629.9999.972	<b>114.07 €</b>	135.74 €
from 1.10 kW to 1.50 kW	629.9999.973	<b>120.45 €</b>	143.34 €
from 1.50 kW to 2.20 kW	629.9999.974	<b>149.24 €</b>	177.60 €
from 2.20 kW to 3.00 kW	629.9999.975	<b>183.36 €</b>	218.20 €
from 3.00 kW to 4.00 kW	629.9999.976	<b>268.62 €</b>	319.66 €
from 4.00 kW to 5.50 kW	629.9999.977	<b>301.69 €</b>	359.01 €
from 5.50 kW to 7.50 kW	629.9999.978	<b>407.22 €</b>	484.59 €
from 7.50 kW to 11.00 kW	629.9999.979	<b>953.01 €</b>	1,134.08 €
from 11.00 kW to 15.00 kW	629.9999.980	<b>983.92 €</b>	1,170.86 €
from 15.00 kW to 18.50 kW	629.9999.981	<b>1,071.33 €</b>	1,274.88 €
from 18.50 kW to 22.00 kW	629.9999.982	<b>1,140.64 €</b>	1,357.36 €
<b>PTC resistor</b>			
0,37 kW up to 2,20 kW	629.9999.995	<b>181.23 €</b>	215.66 €
<b>Improved efficiency IE3 to IE4 asynchronous motors</b>			
3.00 kW up to 4.00 kW	623.0000.010	<b>234.68 €</b>	279.27 €
5.50 kW up to 7.50 kW	623.0000.011	<b>507.42 €</b>	603.83 €
11.0 kW up to 18.5 kW	623.0000.012	<b>570.85 €</b>	679.31 €
22.0 kW	623.0000.013	<b>634.28 €</b>	754.79 €
30.0 kW up to 37.0 kW	623.0000.014	<b>761.14 €</b>	905.76 €
45.0 kW	623.0000.015	<b>951.42 €</b>	1,132.19 €
<b>IE5 motors</b>			upon request

Dimensions

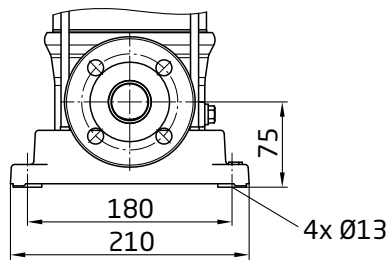
IN-VB 2, IN-VB 4, IN-VB 6



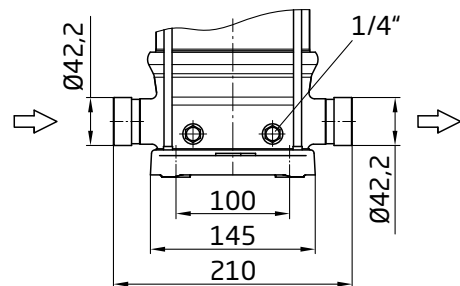
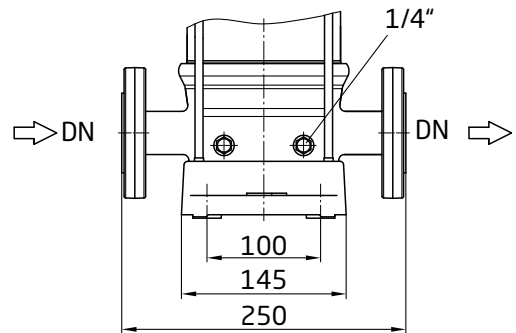
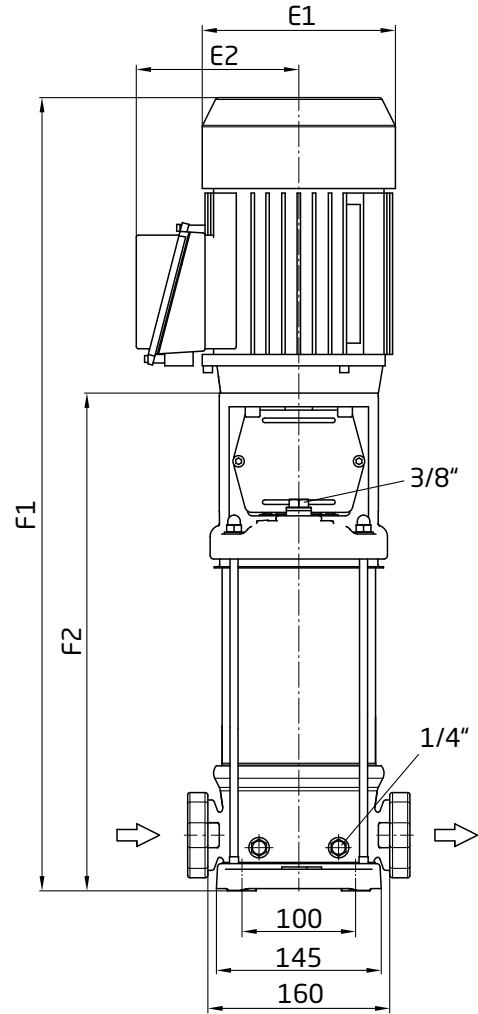
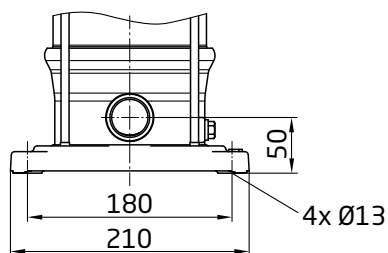
IN-VB(-S)



IN-VB(-S)-F



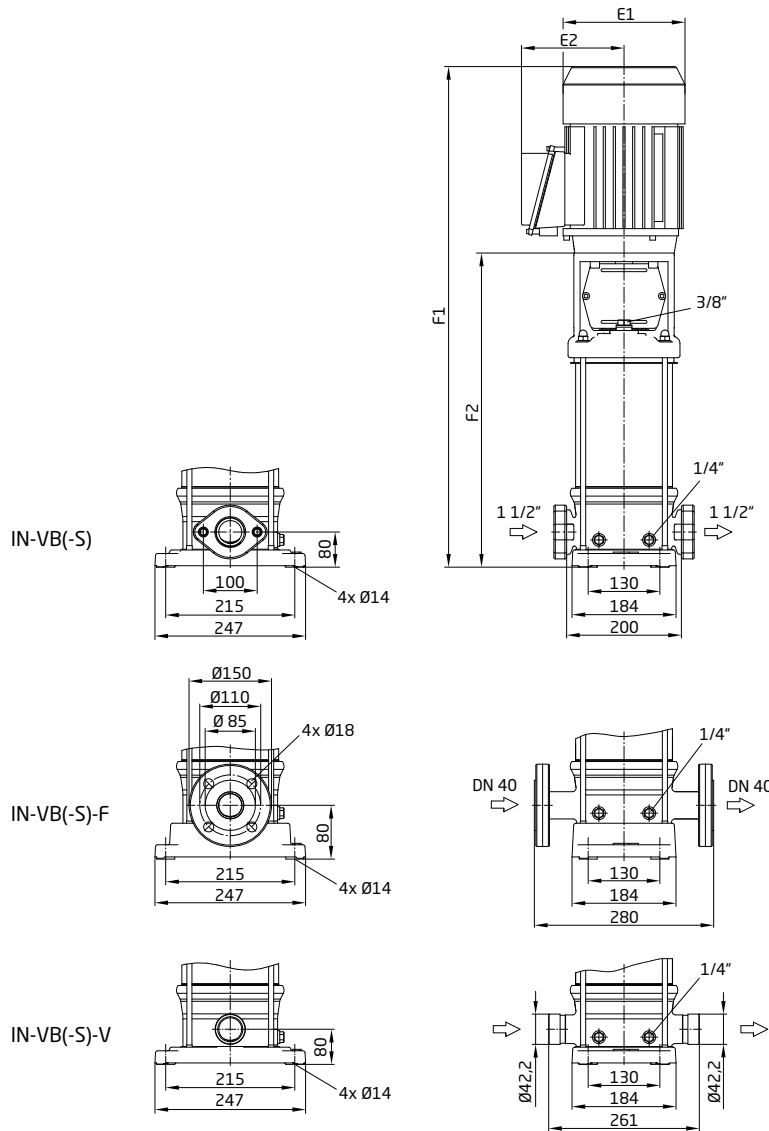
IN-VB(-S)-V





Type	Universal		IN-VB(-S/-S-V) *)			IN-VB(-S)... F *)		
	E1	E2	F1	F2	Connection	F1	F2	DN
IN-VB 2-20	134	107	478	259	1"	503	284	DN 25
IN-VB 2-30	134	107	499	280	1"	524	305	DN 25
IN-VB 2-40	134	107	521	302	1"	546	327	DN 25
IN-VB 2-50	134	107	542	323	1"	567	348	DN 25
IN-VB 2-60	134	107	588	345	1"	613	370	DN 25
IN-VB 2-70	134	107	609	366	1"	634	391	DN 25
IN-VB 2-80	134	107	641	398	1"	666	423	DN 25
IN-VB 2-90	150	115	653	419	1"	678	444	DN 25
IN-VB 2-100	150	115	675	441	1"	700	466	DN 25
IN-VB 2-110	150	115	726	462	1"	751	487	DN 25
IN-VB 2-120	150	115	748	484	1"	773	509	DN 25
IN-VB 2-140	150	115	791	527	1"	816	552	DN 25
IN-VB 2-160	185	139	861	580	1"	886	605	DN 25
IN-VB 2-180	185	139	904	623	1"	929	648	DN 25
IN-VB 2-200	185	139	947	666	1"	972	691	DN 25
IN-VB 2-220 F	185	139	-	-	1"	1040	734	DN 25
IN-VB 2-240 F	185	139	-	-	1"	1083	777	DN 25
IN-VB 2-260 F	185	139	-	-	1"	1126	820	DN 25
IN-VB 2-280 F	185	139	-	-	1"	1169	863	DN 25
IN-VB 2-300 F	185	139	-	-	1"	1212	906	DN 25
IN-VB 4-20	134	107	478	259	1¼"	503	284	DN 32
IN-VB 4-30	134	107	523	280	1¼"	548	305	DN 32
IN-VB 4-40	134	107	545	302	1¼"	570	327	DN 32
IN-VB 4-50	150	115	567	333	1¼"	592	358	DN 32
IN-VB 4-60	150	115	619	355	1¼"	644	380	DN 32
IN-VB 4-70	150	115	640	376	1¼"	665	401	DN 32
IN-VB 4-80	185	139	689	408	1¼"	714	433	DN 32
IN-VB 4-90	185	139	710	429	1¼"	735	454	DN 32
IN-VB 4-100	185	139	732	451	1¼"	757	476	DN 32
IN-VB 4-110	185	139	778	472	1¼"	803	497	DN 32
IN-VB 4-120	185	139	775	494	1¼"	800	519	DN 32
IN-VB 4-140	185	139	818	537	1¼"	843	562	DN 32
IN-VB 4-160	199	150	907	590	1¼"	932	615	DN 32
IN-VB 4-180 F	199	150	-	-	1¼"	975	658	DN 32
IN-VB 4-200 F	199	150	-	-	1¼"	1018	701	DN 32
IN-VB 4-220 F	241	165	-	-	1¼"	1100	744	DN 32
IN-VB 4-240 F	241	165	-	-	1¼"	1143	787	DN 32
IN-VB 4-260 F	241	165	-	-	1¼"	1186	830	DN 32
IN-VB 6-20	134	107	485	266	1¼"	510	291	DN 32
IN-VB 6-30	150	115	535	301	1¼"	560	326	DN 32
IN-VB 6-40	150	115	590	326	1¼"	615	351	DN 32
IN-VB 6-50	150	115	615	351	1¼"	640	376	DN 32
IN-VB 6-60	185	139	667	386	1¼"	692	411	DN 32
IN-VB 6-70	185	139	692	411	1¼"	717	436	DN 32
IN-VB 6-80	185	139	742	436	1¼"	767	461	DN 32
IN-VB 6-90	185	139	767	461	1¼"	792	486	DN 32
IN-VB 6-100	185	139	792	486	1¼"	817	511	DN 32
IN-VB 6-110	199	150	838	521	1¼"	863	546	DN 32
IN-VB 6-120	199	150	863	546	1¼"	888	571	DN 32
IN-VB 6-140	199	150	913	596	1¼"	938	621	DN 32
IN-VB 6-160	241	165	1002	646	1¼"	1027	671	DN 32
IN-VB 6-180 F	241	165	-	-	1¼"	1077	721	DN 32
IN-VB 6-200 F	288	197	-	-	1¼"	1279	847	DN 32
IN-VB 6-220 F	288	197	-	-	1¼"	1329	897	DN 32
IN-VB 6-240 F	288	197	-	-	1¼"	1379	947	DN 32
IN-VB 6-260 F	288	197	-	-	1¼"	1429	997	DN 32

IN-VB 10

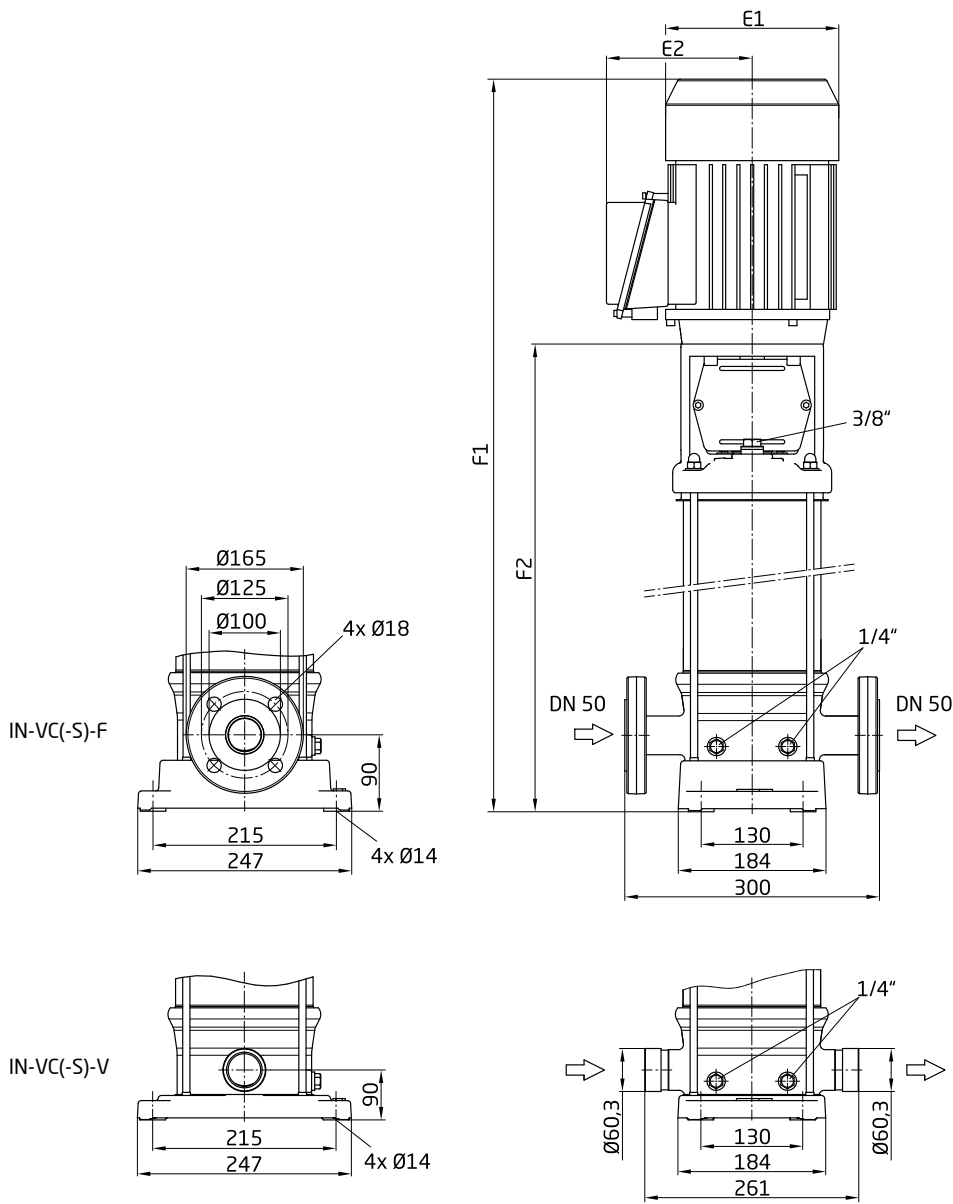


Type	Universal		IN-VB(-S/-S-V) *		IN-VB(-S)... F *)	
	E1	E2	F1	F2	F1	F2
IN-VB 10-10	150	115	580	346	580	346
IN-VB 10-20	150	115	580	346	580	346
IN-VB 10-30	150	115	636	372	636	372
IN-VB 10-40	185	139	690	409	690	409
IN-VB 10-50	185	139	741	435	741	435
IN-VB 10-60	185	139	760	462	768	462
IN-VB 10-70	199	150	815	498	815	498
IN-VB 10-80	199	150	842	525	842	525
IN-VB 10-90	241	165	907	551	907	551
IN-VB 10-100	241	165	934	578	934	578
IN-VB 10-110	241	165	960	604	960	604
IN-VB 10-130	288	197	1169	737	1169	737
IN-VB 10-150 F	288	197	-	-	1222	790
IN-VB 10-170 F	288	197	-	-	1275	843
IN-VB 10-190 F	288	197	-	-	1328	896
IN-VB 10-210 F	288	197	-	-	1381	949



Dimensions

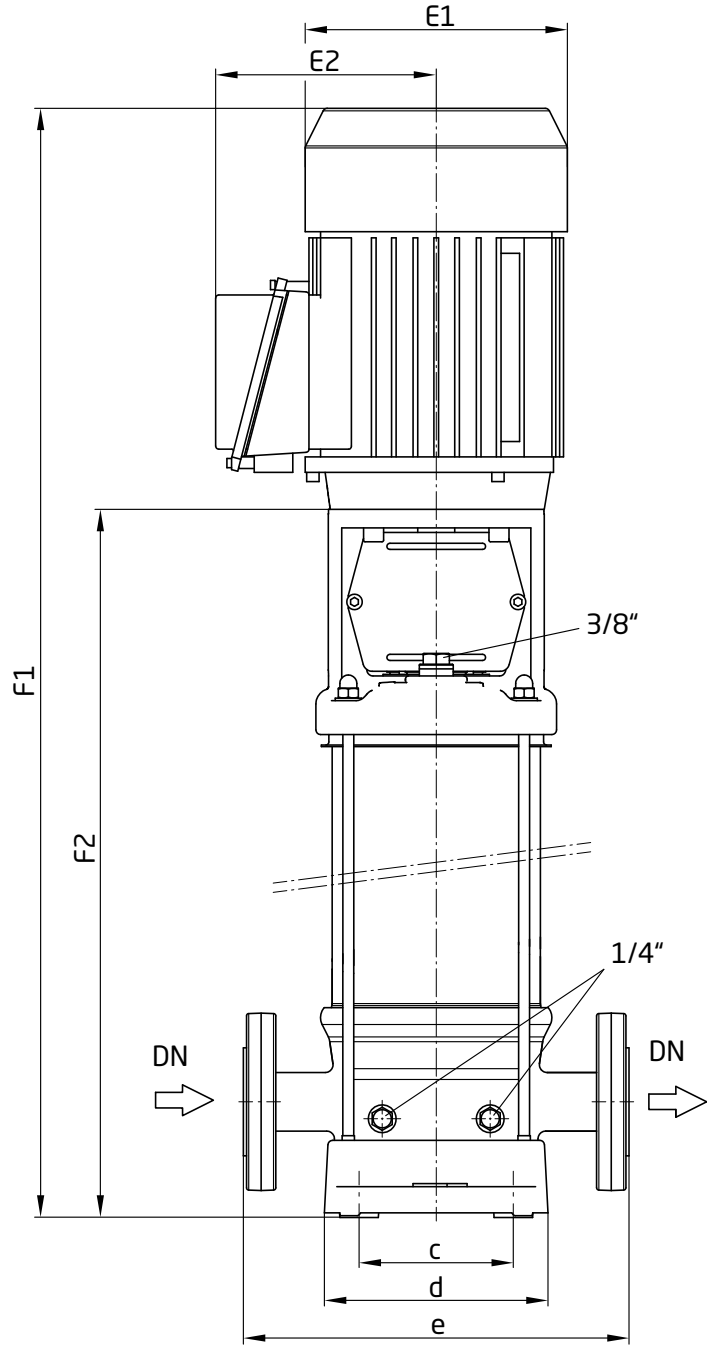
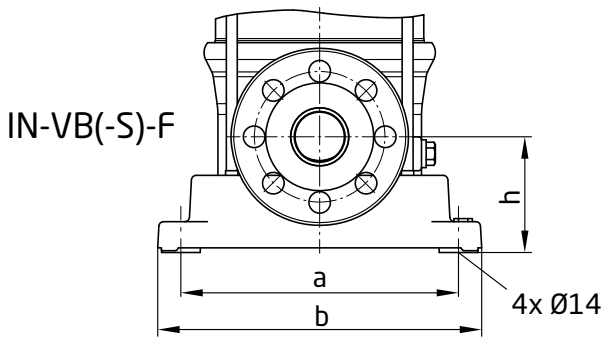
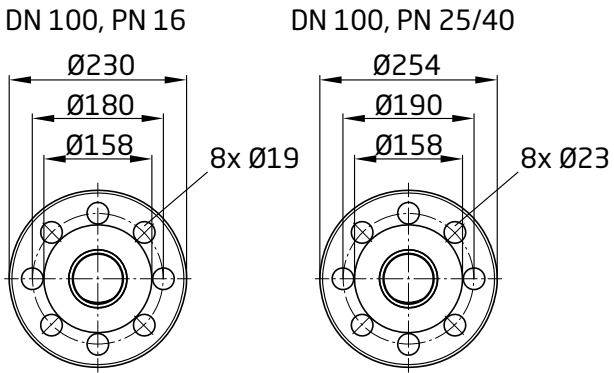
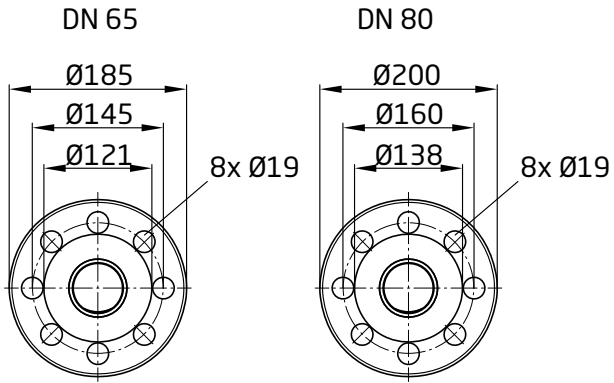
IN-VC 15



Type	Universal		IN-VC(-S)... F *) / IN-VC(-S/-S-V) *)	
	E1	E2	F1	F2
IN-VC 15-10	150	115	637	373
IN-VC 15-20	200	148	664	383
IN-VC 15-30	215	157	751	434
IN-VC 15-40	248	168	831	475
IN-VC 15-50	288	197	1027.50	595.50
IN-VC 15-60	288	197	1068.50	636.50
IN-VC 15-70	288	197	1109.50	677.50
IN-VC 15-80	340	223	1271.50	738.50
IN-VC 15-90	340	223	1322.50	789.50
IN-VC 15-100	340	223	1363.50	830.50
IN-VC 15-110	340	223	1404.50	781.50
IN-VC 15-130	340	223	1486.50	953.50
IN-VC 15-150	340	223	1568.50	1035.50

Dimensions

IN-VB 25, IN-VB 40, IN-VB 60



Vertical pumps

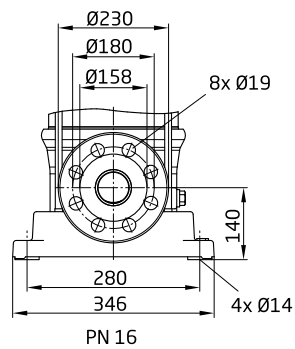




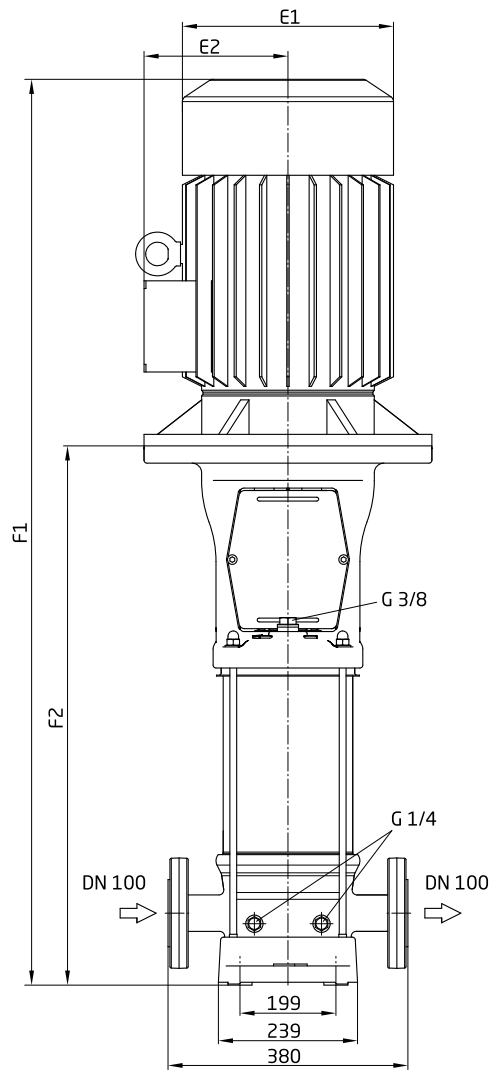
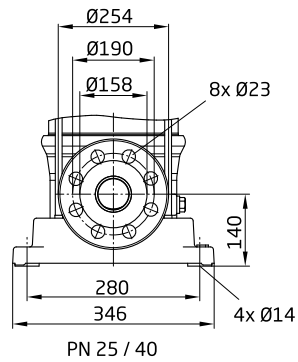
Type	Universal				IN-VB(-S)... F *)							
	E1	E2	F1	F2	a	b	c	d	e	h	DN	
IN-VB 25-10	185	139	714	408	240	280	170	210	320	105	65	
IN-VB 25-20	241	165	834	478	240	280	170	210	320	105	65	
IN-VB 25-30	288	197	1066	634	240	280	170	210	320	105	65	
IN-VB 25-40	288	197	1131	699	240	280	170	210	320	105	65	
IN-VB 25-50	340	223	1327	794	240	280	170	210	320	105	65	
IN-VB 25-60	340	223	1392	859	240	280	170	210	320	105	65	
IN-VB 25-70	340	223	1457	924	240	280	170	210	320	105	65	
IN-VB 25-80	340	223	1522	989	240	280	170	210	320	105	65	
IN-VB 25-90	340	223	1587	1054	240	280	170	210	320	105	65	
IN-VB 25-100	340	223	1652	1119	240	280	170	210	320	105	65	
IN-VB 25-110	340	223	1717	1184	240	280	170	210	320	105	65	
IN-VB 25-120	360	234	1897	1249	240	280	170	210	320	105	65	
IN-VB 40-10-1	199	150	804	487	266	306	190	230	365	140	80	
IN-VB 40-10	241	165	843	487	266	306	190	230	365	140	80	
IN-VB 40-20-2	288	197	1087	655	266	306	190	230	365	140	80	
IN-VB 40-20	288	197	1087	655	266	306	190	230	365	140	80	
IN-VB 40-30-2	340	223	1296	763	266	306	190	230	365	140	80	
IN-VB 40-30	340	223	1296	763	266	306	190	230	365	140	80	
IN-VB 40-40-2	340	223	1374	841	266	306	190	230	365	140	80	
IN-VB 40-40	340	223	1374	841	266	306	190	230	365	140	80	
IN-VB 40-50-2	340	223	1452	919	266	306	190	230	365	140	80	
IN-VB 40-50	340	223	1452	919	266	306	190	230	365	140	80	
IN-VB 40-60-2	340	223	1530	997	266	306	190	230	365	140	80	
IN-VB 40-60	360	234	1645	997	266	306	190	230	365	140	80	
IN-VB 40-70-2	360	234	1723	1075	266	306	190	230	365	140	80	
IN-VB 40-70	400	340	1745	1075	266	306	190	230	365	140	80	
IN-VB 40-80-2	400	340	1823	1153	266	306	190	230	365	140	80	
IN-VB 40-80	400	340	1823	1153	266	306	190	230	365	140	80	
IN-VB 40-90-2	400	340	1901	1231	266	306	190	230	365	140	80	
IN-VB 40-90	400	340	1901	1231	266	306	190	230	365	140	80	
IN-VB 40-100-2	400	340	1979	1309	266	306	190	230	365	140	80	
IN-VB 40-100	400	340	1979	1309	266	306	190	230	365	140	80	
IN-VB 60-10-1	241	165	843	487	266	306	190	230	365	140	100	
IN-VB 60-10	288	197	1009	577	266	306	190	230	365	140	100	
IN-VB 60-20-2	288	197	1087	655	266	306	190	230	365	140	100	
IN-VB 60-20	340	223	1218	685	266	306	190	230	365	140	100	
IN-VB 60-30-2	340	223	1296	763	266	306	190	230	365	140	100	
IN-VB 60-30	340	223	1296	763	266	306	190	230	365	140	100	
IN-VB 60-40-2	340	223	1374	841	266	306	190	230	365	140	100	
IN-VB 60-40	360	234	1489	841	266	306	190	230	365	140	100	
IN-VB 60-50-2	360	234	1567	919	266	306	190	230	365	140	100	
IN-VB 60-50	400	340	1589	919	266	306	190	230	365	140	100	
IN-VB 60-60-2	400	340	1667	997	266	306	190	230	365	140	100	
IN-VB 60-60	400	340	1667	997	266	306	190	230	365	140	100	
IN-VB 60-70-2	400	340	1745	1075	266	306	190	230	365	140	100	
IN-VB 60-70	400	340	1745	1075	266	306	190	230	365	140	100	
IN-VB 60-80-2	400	340	1823	1153	266	306	190	230	365	140	100	
IN-VB 60-80	450	365	1863	1153	266	306	190	230	365	140	100	
IN-VB 60-90-2	450	365	1941	1231	266	306	190	230	365	140	100	

## Dimensions

### IN-VB 85



IN-VB(-S)-F

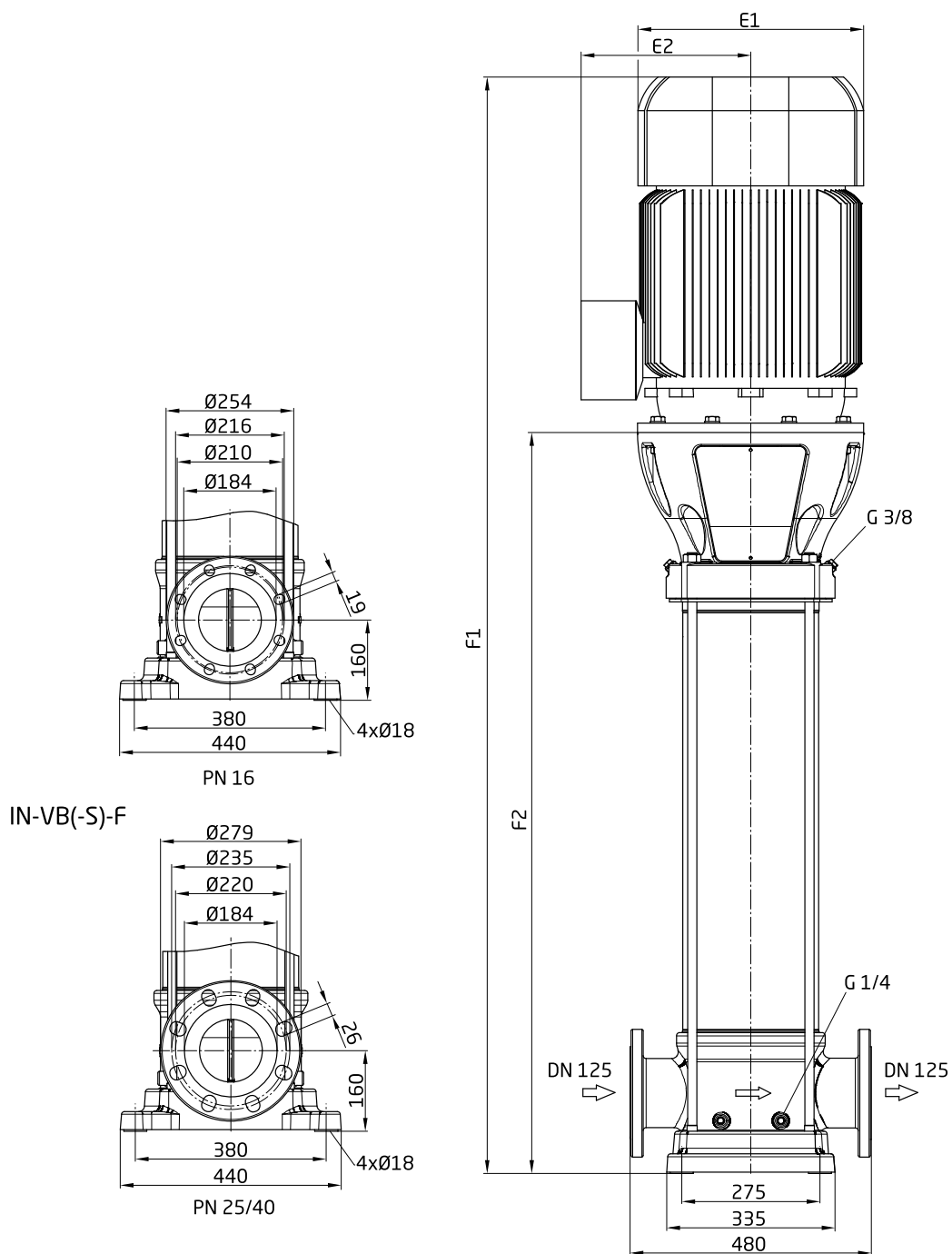


Type	Universal		IN-VB(-S)... F *	
	E1	E2	F1	F2
IN-VB 85-10-1	288	197	1073	641
IN-VB 85-10	288	197	1073	641
IN-VB 85-20-2	340	223	1313	780
IN-VB 85-20-1	340	223	1313	780
IN-VB 85-20	340	223	1313	780
IN-VB 85-30-2	340	223	1422	889
IN-VB 85-30-1	360	234	1537	889
IN-VB 85-30	360	234	1537	889
IN-VB 85-40-2	400	340	1668	998
IN-VB 85-40-1	400	340	1668	998
IN-VB 85-40	400	340	1668	998
IN-VB 85-50-2	400	340	1777	1107
IN-VB 85-50-1	400	340	1777	1107
IN-VB 85-50	400	340	1777	1107
IN-VB 85-60-2	450	365	1926	1216
IN-VB 85-60-1	450	365	1926	1216
IN-VB 85-60	450	365	1926	1216



## Dimensions

### IN-VB 125



Type	Universal		IN-VB(-S)... F *	
	E1	E2	F1	F2
IN-VB 125-10	340	223	1272	739
IN-VB 125-20-2	340	223	1402	869
IN-VB 125-20-1	360	234	1517	869
IN-VB 125-20	400	340	1539	869
IN-VB 125-30-2	400	340	1669	999
IN-VB 125-30-1	400	340	1669	999
IN-VB 125-30	400	340	1669	999
IN-VB 125-40-2	450	365	1829	1119



# Product overview

## Horizontal pumps



---

### **VGX/2VGX**

Performance: 1 bis 15 m<sup>3</sup>/h

**Page 92**



---

### **MTX**

Performance: 1 bis 27 m<sup>3</sup>/h

**Page 100**

# VGX/2 VGX



## Centrifugal pumps

### Field of application

- > Water treatment
- > Water supply
- > Cooling units
- > Engineering

### Design

Monoblock pump with surface-cooled motor, extended motor shaft to accommodate the impellers, shaft seal in the form of a mechanical seal, configured for constant operation.

### Motor

Protection class: ..... IP 55  
Class of insulation: ..... F  
Voltage: ..... 1~ 230 V ± 10 %  
built in overloaf protection  
3~ 230/400 V ± 10 %  
Speed: ..... 2850 rpm  
Frequency: ..... 50 Hz

### Field of application

- > Special voltages
- > Special elastomers
- > Special mechanical seals
- > Higher fluid temperatures

### Technical data

Flow rate: ..... Q up to max. 15 m<sup>3</sup>/h  
Total dynamic head: ..... H up to max. 75 m  
Fluid temperature: ..... t from -5 to max. 90 °C  
Operating pressure: ..... p up to max. 8 bar

### Pumped fluid

Clear, moderately aggressive fluids, which don't chemically and mechanically attack the pump materials.

### Materials used

Pump housing: ..... stainless steel AISI 304  
Impellers: ..... stainless steel AISI 304  
Shaft: ..... stainless steel AISI 303  
Engine mount: ..... die cast aluminium  
Elastomers: ..... NBR  
Mechanical seal: ..... carbon/ceramic

### Type key

#### 2 VGX 12/30

VGX: ..... 1 stage pump type  
2 VGX: ..... 2 stage pump type  
12/30: ..... pump size

### \*Exceptions:

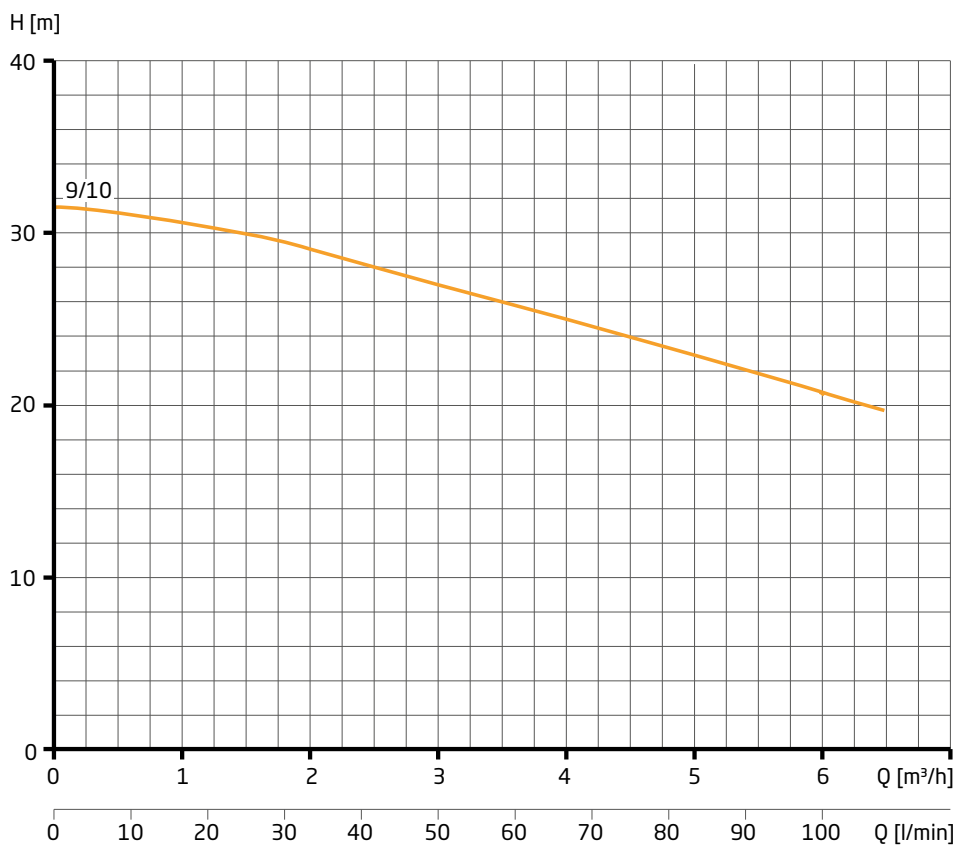
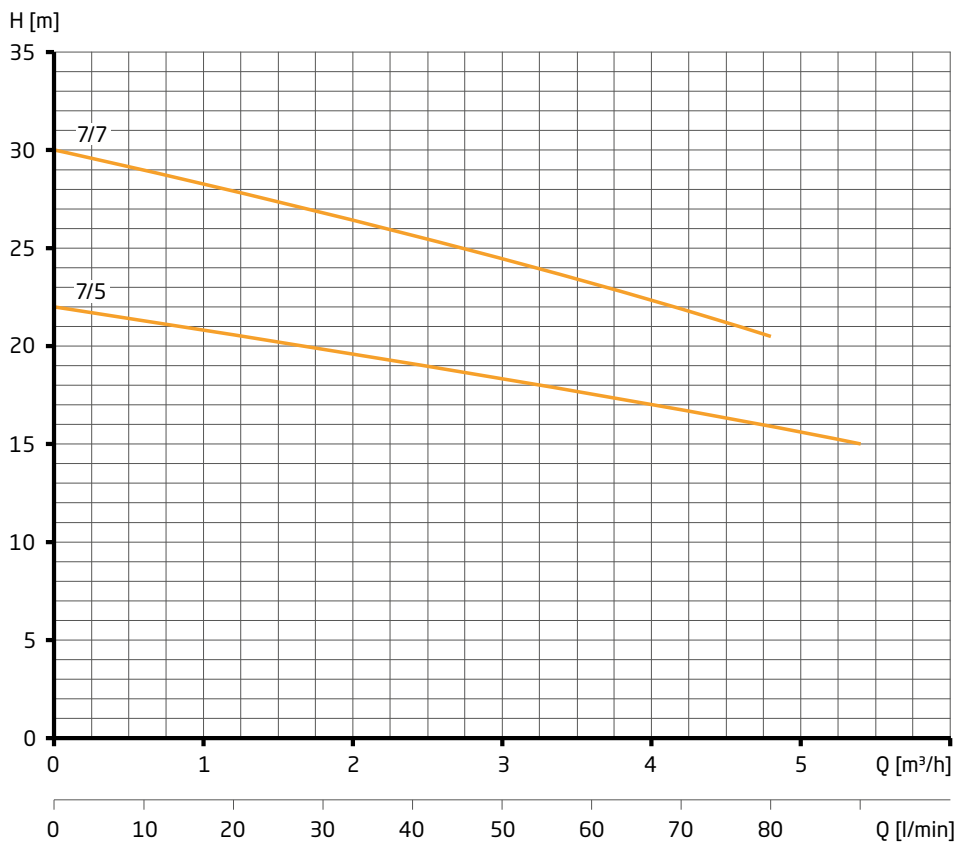
VGX 7/5, VGX 7/7, VGX 9/10

Fluid temperature: ..... t from -5 to max. 60 °C  
All models with Viton elastomers:  
Fluid temperature: ..... t from -5 to max. 110 °C  
All models with EPDB elastomers:  
Fluid temperature: ..... t from -5 to max. 120 °C



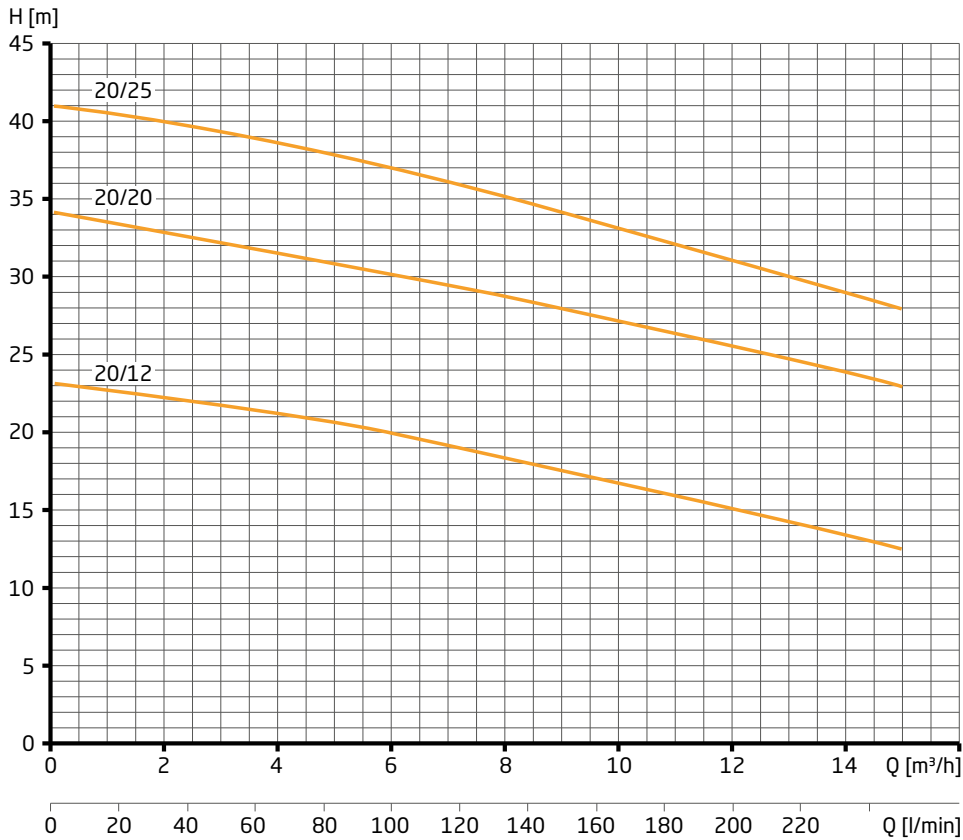
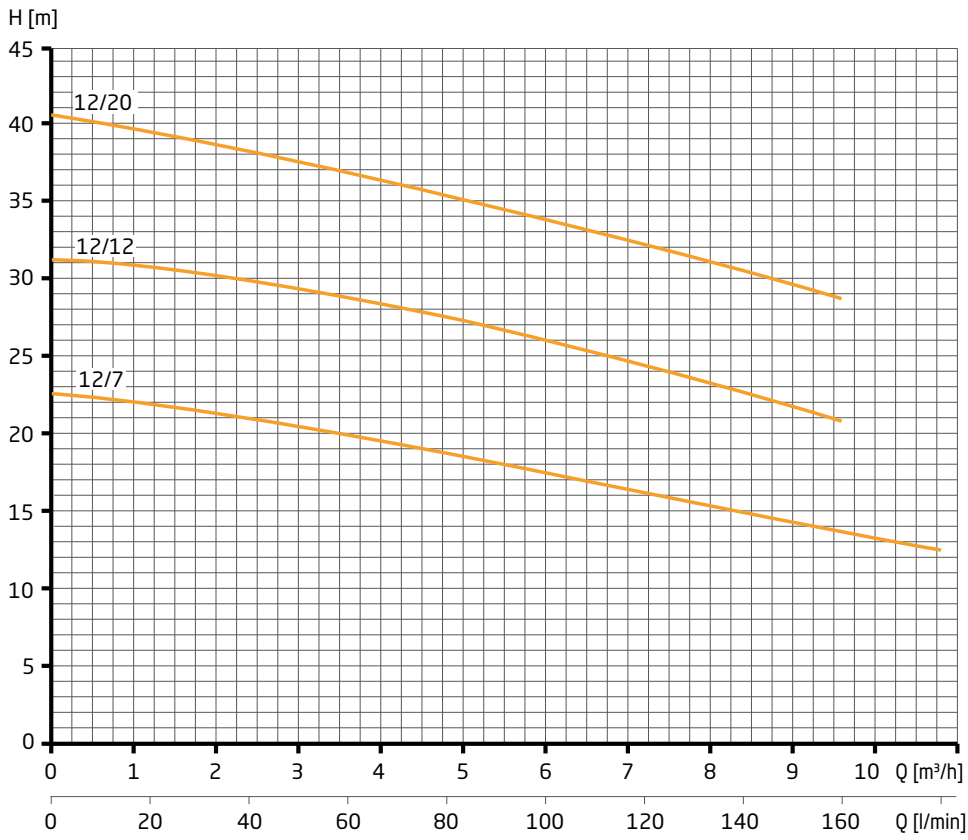
## Characteristics

### VGX



Characteristics

VGX



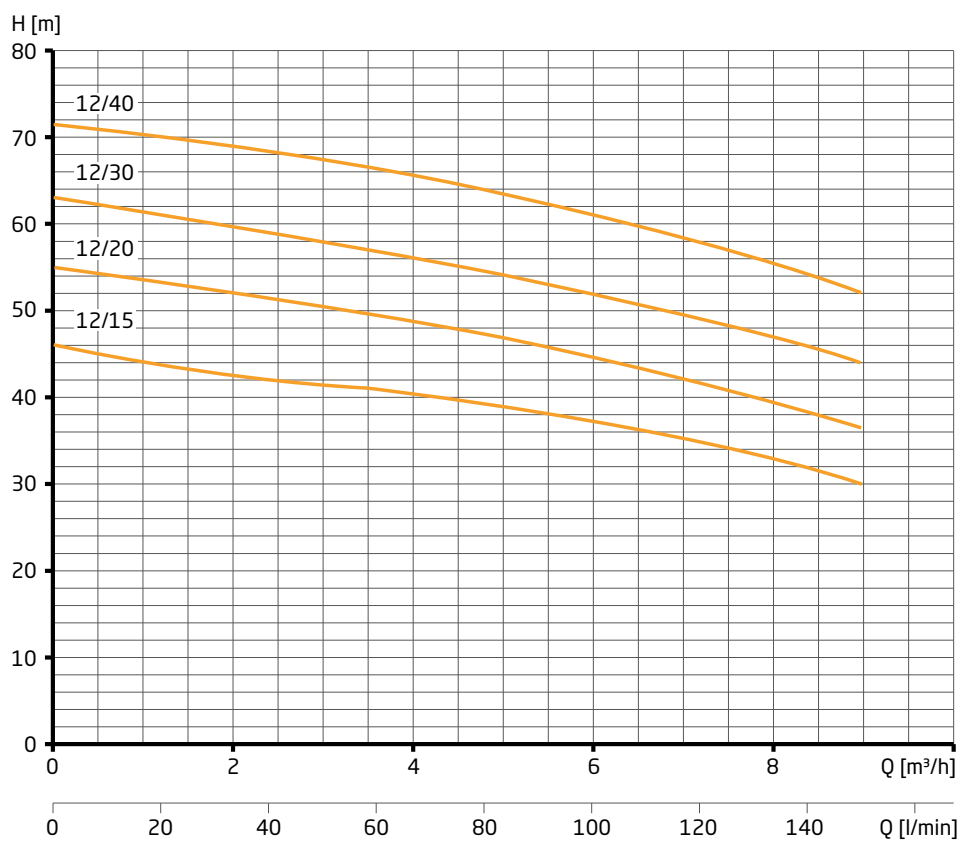
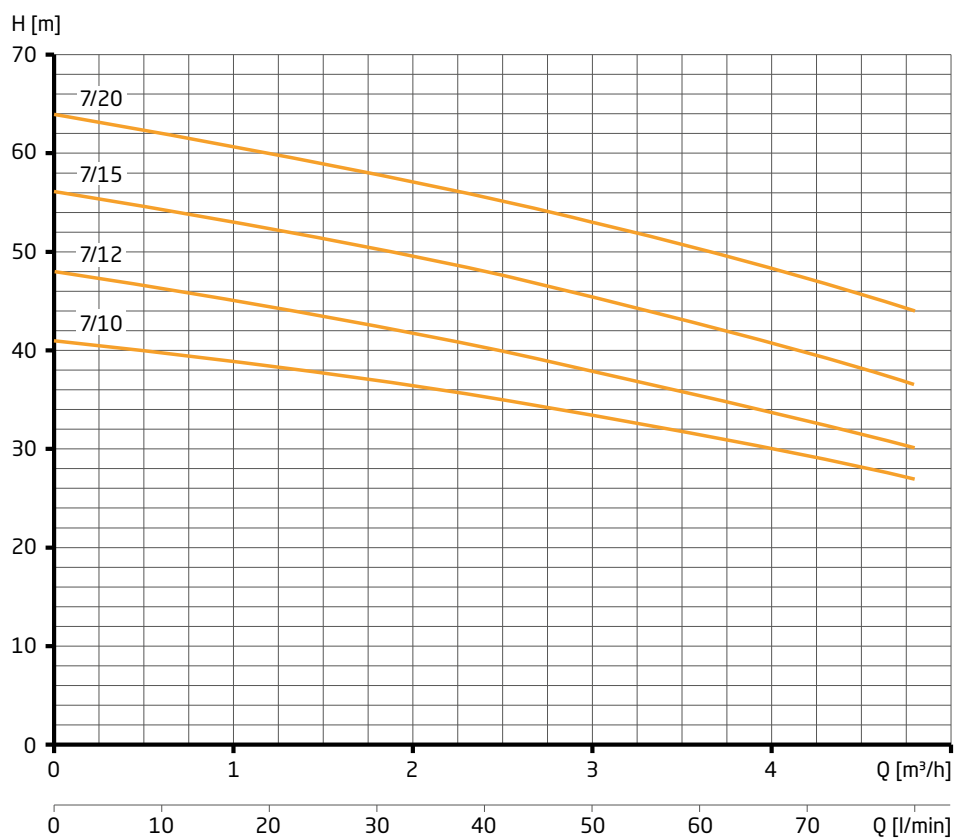
Horizontal pumps





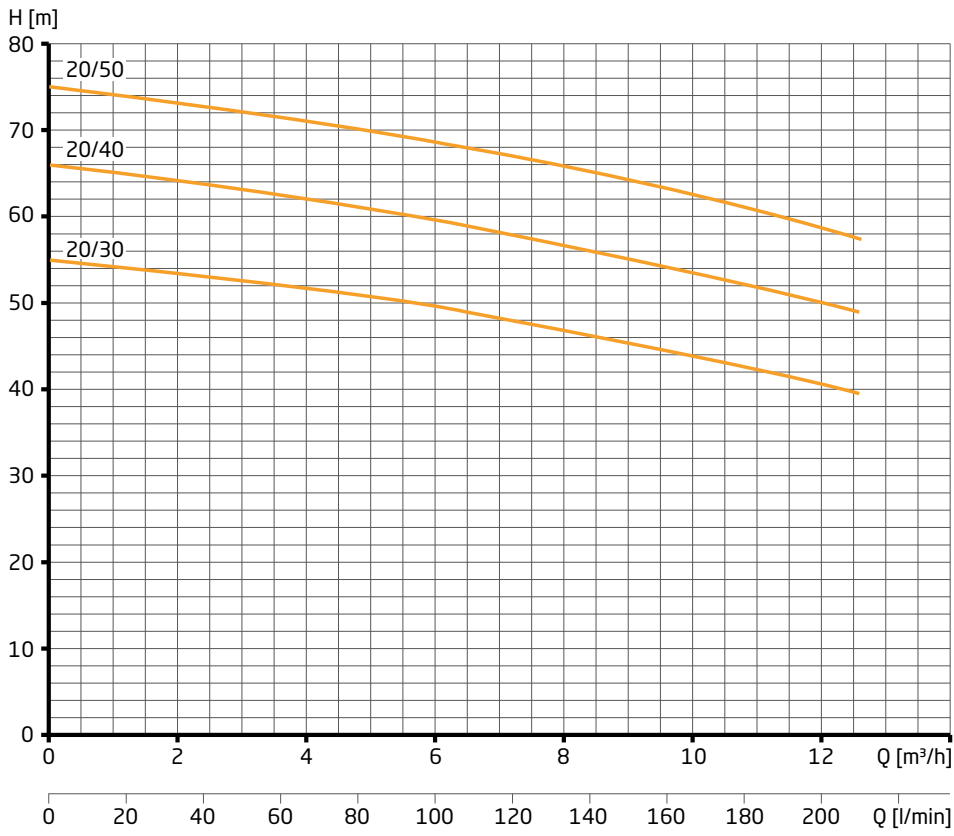
## Characteristics

### VGX



## Characteristics

### VGX





### Technical data

Type	Inlet connection (Rp)	Outlet connection (R)	Power output P <sub>2</sub> (kW) 400/230 V	Rated current (A) 3~ Y/Δ 400/230 V	Rated current (A) 1~ 230 V	Weight (kg) 3~/1~
VGX 7/5	1 ¼	1	0.37/0.45	1.40/2.40	3.00	9.10/9.10
VGX 7/7	1 ¼	1	0.55/0.75	2.00/3.50	4.50	10.40/10.40
VGX 9/10	1 ¼	1	0.75/0.90	1.70/3.00	5.30	11.90/11.90
VGX 12/7	1 ¼	1	0.55/0.75	1.85/3.20	4.50	10.40/10.40
VGX 12/12	1 ¼	1	0.90/0.90	2.50/4.30	5.50	12.50/12.50
VGX 12/20	1 ½	1	1.50/1.50	4.10/7.10	8.90	17.20/17.20
VGX 20/12	1 ½	1	0.90/0.90	2.50/4.30	5.50	16.30/11.50
VGX 20/20	1 ½	1	1.50/1.50	4.10/7.10	9.00	15.30/16.50
VGX 20/25	1 ½	1	1.80/-	4.70/8.20	-	17.00/-
2 VGX 7/10	1 ¼	1	0.75/0.75	1.70/3.00	6.00	12.60/12.60
2 VGX 7/12	1 ¼	1	0.90/0.90	2.50/4.30	7.00	13.70/13.70
2 VGX 7/15	1 ¼	1	1.10/1.10	3.30/5.80	8.10	17.00/17.00
2 VGX 7/20	1 ¼	1	1.50/1.50	4.10/7.10	10.00	20.10/19.20
2 VGX 12/15	1 ¼	1	1.10/1.10	3.30/5.80	8.30	15.60/15.60
2 VGX 12/20	1 ¼	1	1.50/1.50	4.10/7.10	10.20	18.30/17.40
2 VGX 12/30	1 ¼	1	2.20/-	4.70/8.20	-	26.10/-
2 VGX 12/40	1 ¼	1	3.00/-	6.40/11.10	-	27.80/-
2 VGX 20/30	1 ½	1	2.20/-	4.70/8.20	-	26.60/-
2 VGX 20/40	1 ½	1	3.00/-	6.40/11.10	-	27.60/-
2 VGX 20/50	1 ½	1	3.70/-	8.70/15.10	-	35.60/-

Horizontal pumps

### Order information

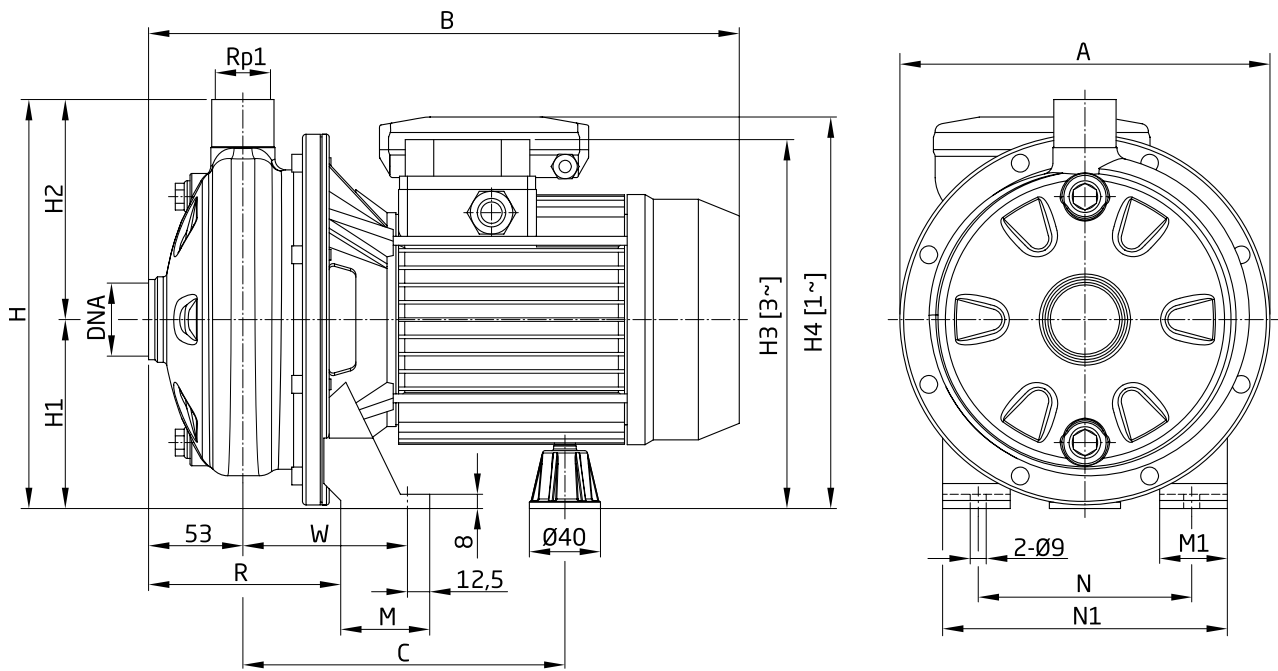
Type	Three-phase 3~ 400/230 V Article no.		Net RRP	Gross RRP
VGX 7/5	641.1100.137A	X	386.95 €	460.47 €
VGX 7/7	641.1101.137A	X	407.22 €	484.59 €
VGX 9/10	641.1202.137A	X	531.94 €	633.01 €
VGX 12/7	641.1301.137A	X	552.19 €	657.11 €
VGX 12/12	641.1303.137A	X	606.55 €	721.79 €
VGX 12/20	641.1305.137A	X	734.48 €	874.03 €
VGX 20/12	641.1403.137A	X	639.61 €	761.14 €
VGX 20/20	641.1405.137A	X	756.88 €	900.69 €
VGX 20/25	641.1406.137A	X	809.11 €	962.84 €
2 VGX 7/10	641.2102.137A	X	565.01 €	672.36 €
2 VGX 7/12	641.2103.137A	X	625.76 €	744.65 €
2 VGX 7/15	641.2104.137A	X	711.03 €	846.13 €
2 VGX 7/20	641.2105.137A	X	791.00 €	941.29 €
2 VGX 12/15	641.2304.137A	X	776.06 €	923.51 €
2 VGX 12/20	641.2305.137A	X	873.07 €	1,038.95 €
2 VGX 12/30	641.2307.137A	X	1,177.94 €	1,401.75 €
2 VGX 12/40	641.2308.137A	X	1,248.29 €	1,485.47 €
2 VGX 20/30	641.2407.137A	X	1,159.84 €	1,380.21 €
2 VGX 20/40	641.2408.137A	X	1,205.66 €	1,434.74 €
2 VGX 20/50	641.2409.137A	X	1,394.34 €	1,659.26 €

Type	Single phase 1~ 230 V Article no.		Net RRP	Gross RRP
VGX 7/5	641.1100.138A	X	412.54 €	490.92 €
VGX 7/7	641.1101.138A	X	432.81 €	515.04 €
VGX 9/10	641.1202.138A	X	542.60 €	645.69 €
VGX 12/7	641.1301.138A	X	590.57 €	702.78 €
VGX 12/12	641.1303.138A	X	685.45 €	815.69 €
VGX 12/20	641.1305.138A	X	813.37 €	967.91 €
VGX 20/12	641.1403.138A	X	705.70 €	839.78 €
VGX 20/20	641.1405.138A	X	903.99 €	1,075.75 €
2 VGX 7/10	641.2102.138A	X	588.45 €	700.26 €
2 VGX 7/12	641.2103.138A	X	659.86 €	785.23 €
2 VGX 7/15	641.2104.138A	X	717.43 €	853.74 €
2 VGX 7/20	641.2105.138A	X	806.97 €	960.29 €
2 VGX 12/15	641.2304.138A	X	850.68 €	1,012.31 €
2 VGX 12/20	641.2305.138A	X	1,003.12 €	1,193.71 €
<b>Additional cost for elastomers (mechanical seal + O-Ring)</b>				
SiC/SiC + Viton 004	641.1000.170		200.00 €	238.00 €
Carbon/SiC + Viton 006	641.1000.174		240.00 €	285.60 €
SiC/SiC + EPDM 005	641.1000.171		200.00 €	238.00 €
Carbon/SiC + EPDM 008	641.1000.175		240.00 €	285.60 €
Carbon/ceramic + Viton (open spring) 002	641.1000.168		200.00 €	238.00 €

X = Warehouse goods, can be dispatched immediately

## Dimensions

### VGX

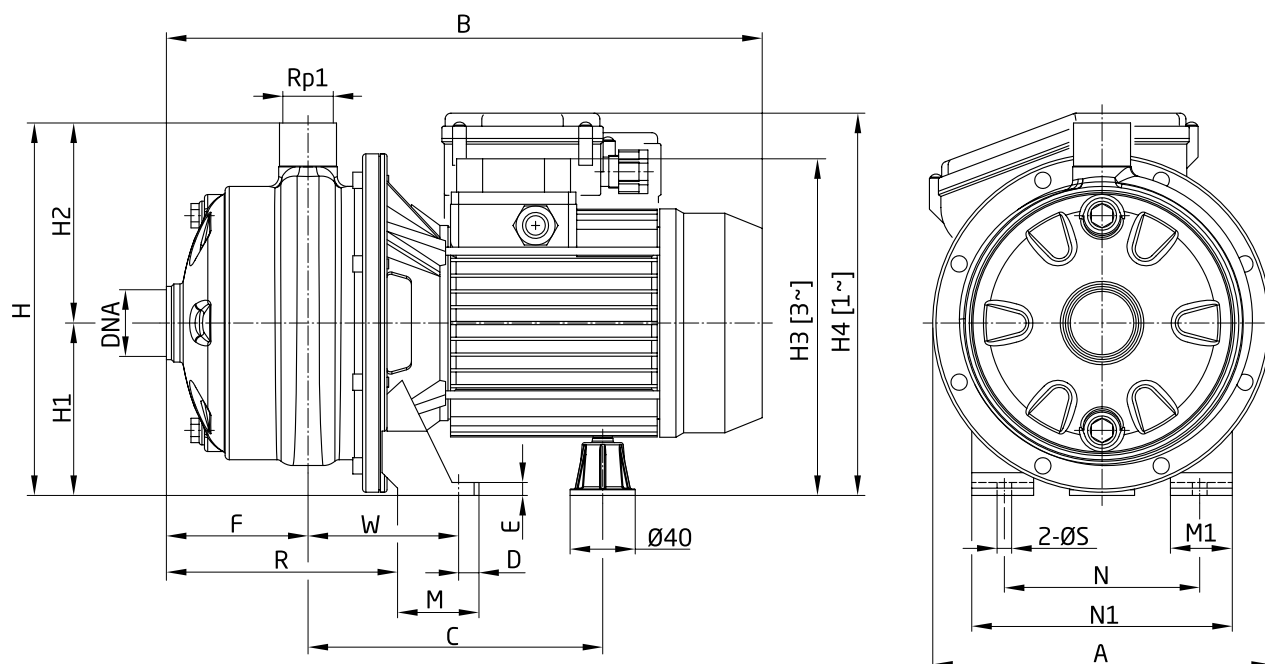


Type	A	B 3~/1~	C	H	H1	H2	H3	H4	M	M1	N	N1	R	W	DNA Rp
VGX 7/5	208	320/321	181	229.5	106	123.5	207	216	50	38	120	160	108	92.5	1 ¼
VGX 7/7	208	320/321	181	229.5	106	123.5	207	216	50	38	120	160	108	92.5	1 ¼
VGX 9/10	208	320/321	198.5	229.5	106	123.5	207	216	50	38	120	160	108	92.5	1 ¼
VGX 12/7	208	320/321	198.5	229.5	106	123.5	207	216	50	38	120	160	108	92.5	1 ¼
VGX 12/12	208	332/321	198.5	229.5	106	123.5	207	235	50	38	120	160	108	92.5	1 ¼
VGX 12/20	232	371.5/371.5	198.5	250	118	132	237	248.5	55	40	140	180	105.5	95	1 ¼
VGX 20/12	208	332/321	181	229.5	106	123.5	207	235	50	38	120	160	108	92.5	1 ½
VGX 20/20	208	371.5/371.5	198.5	229.5	106	123.5	225	236.5	55	40	140	180	105.5	95	1 ½
VGX 20/25	232	371.5/-	198.5	250	118	132	237	--	55	40	140	180	105.5	95	1 ½



## Dimensions

### 2 VGX



Horizontal pumps

Type	A	B 3~/1~	C	D	E	F	H	H1	H2	H3	H4	M	M1	N	N1	R	W	S	DNA Rp
2 VGX 7/10	208	354/355	181	12.5	8	87	229	106	123	209	216	50	38	120	160	142	92,5	9	1 ¼
2 VGX 7/12	210	366/355	181	12.5	8	87	229	106	123	209	235	50	38	120	160	142	92,5	9	1 ¼
2 VGX 7/15	232	407/395.5	198.5	12.5	8	89	250	118	132	235	248.5	55	40	140	180	141.5	95	9	1 ¼
2 VGX 7/20	232	407.5/382.5	198.5	12.5	8	89	250	118	132	235	248.5	55	40	140	180	141.5	95	9	1 ¼
2 VGX 12/15	210	407/395.5	198.5	12.5	8	89	229	106	123	223	236.5	55	40	140	180	141.5	95	9	1 ¼
2 VGX 12/20	210	407.5/382.5	198.5	12.5	8	89	229	106	123	223	236.5	55	40	140	180	141.5	95	9	1 ¼
2 VGX 12/30	232	405/-	198.5	12.5	10	87	250	118	132	240	-	65	40	140	180	143.5	109	9	1 ¼
2 VGX 12/40	232	458/-	234.5	12.5	10	87	250	118	132	240	-	65	40	140	180	143.5	109	9	1 ¼
2 VGX 20/30	208	458/-	234.5	12.5	10	87	229	106	123	240	-	65	40	140	180	143.5	109	9	1 ½
2 VGX 20/40	232	458/-	234.5	12.5	10	87	250	118	132	240	-	65	40	140	180	143.5	109	9	1 ½
2 VGX 20/50	232	481/-	232.5	16	12	87	250	118	132	252	-	68	50	160	210	143.5	108.5	12	1 ½



## Centrifugal pumps

### Field of application

- > Water treatment
- > Water supply
- > Cooling units
- > Engineering

### Design

Monoblock pump with surface-cooled motor, extended motor shaft to accommodate the impellers, shaft seal in the form of a mechanical seal, configured for constant operation.

### Motor

Protection class: ..... IP 55  
 Class of insulation: ..... F  
 Voltage: ..... 1~ 230 V  $\pm$  10 %  
   built in overloaf protection  
   3~ 230/400 V  $\pm$  10 %  
 Spedd: ..... 2850 rpm  
 Frequency: ..... 50 Hz

### Field of application

- > Special voltages
- > Special elastomers
- > Special mechanical seals
- > Higher fluid temperatures

### Technical data

Flow rate: ..... Q up to max. 27 m<sup>3</sup>/h  
 Total dynamic head: ..... H up to max. 105 m  
 Fluid temperature: ..... t from -15 to max. 85 °C  
 Operating pressure: ..... p up to max. 10 bar

### Pumped fluid

Clear, moderately aggressive fluids, which don't chemically and mechanically attack the pump materials.

### Materials used

Pump housing: ..... stainless steel AISI 304  
 Impellers: ..... stainless steel AISI 304  
 Shaft: ..... stainless steel AISI 304  
 Seal mount: ..... stainless steal AISI 304  
 Engine mount: ..... die cast aluminium  
 Elastomers: ..... EPDM  
 Mechanical seal: ..... carbon/ceramic

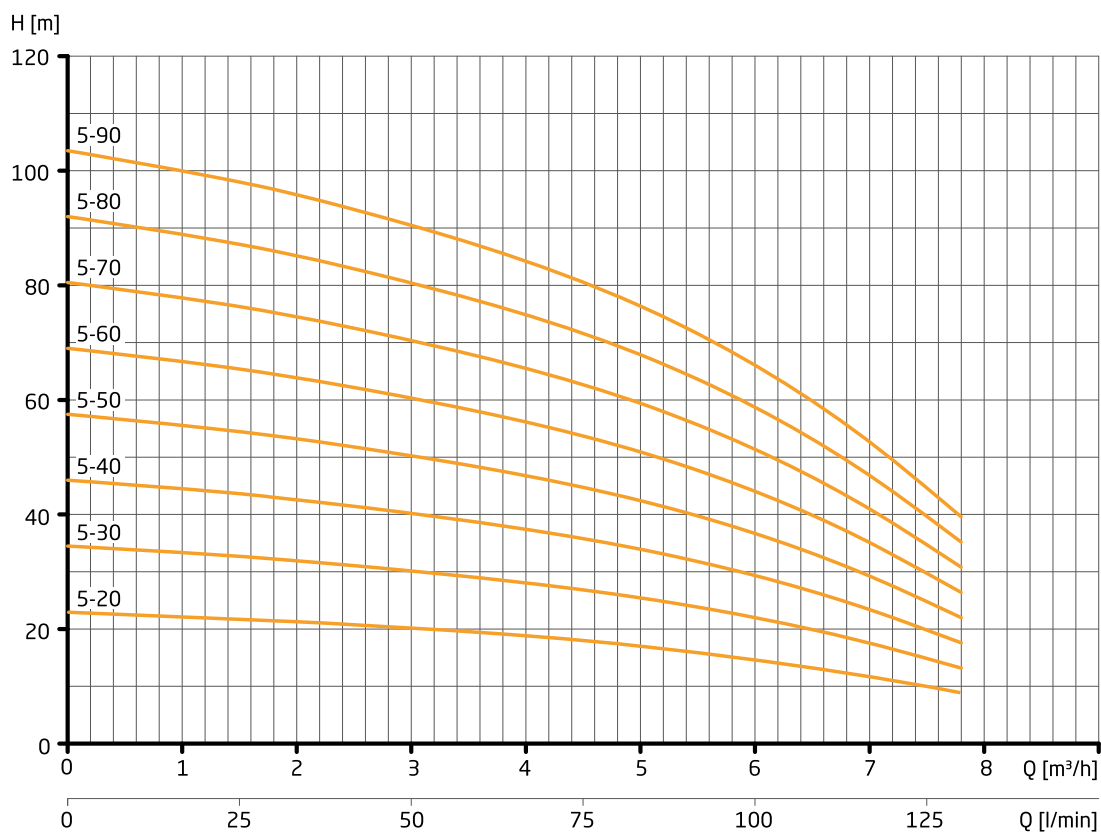
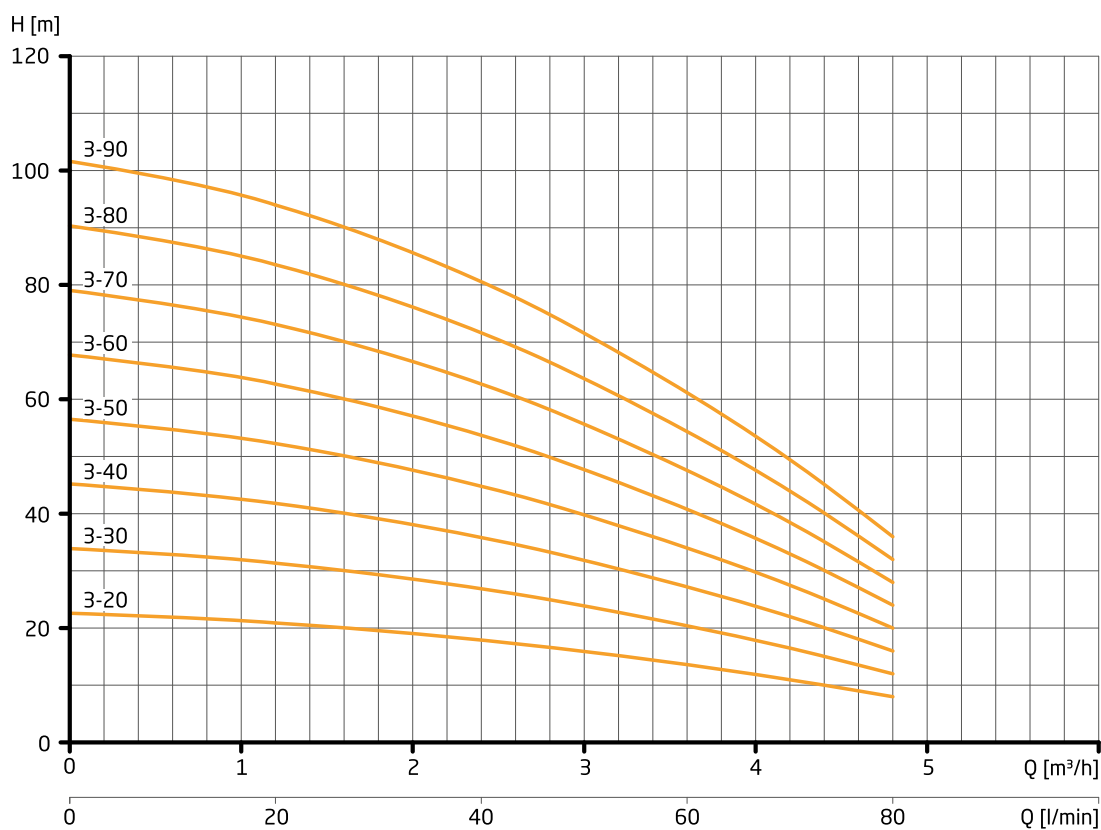
### Type key

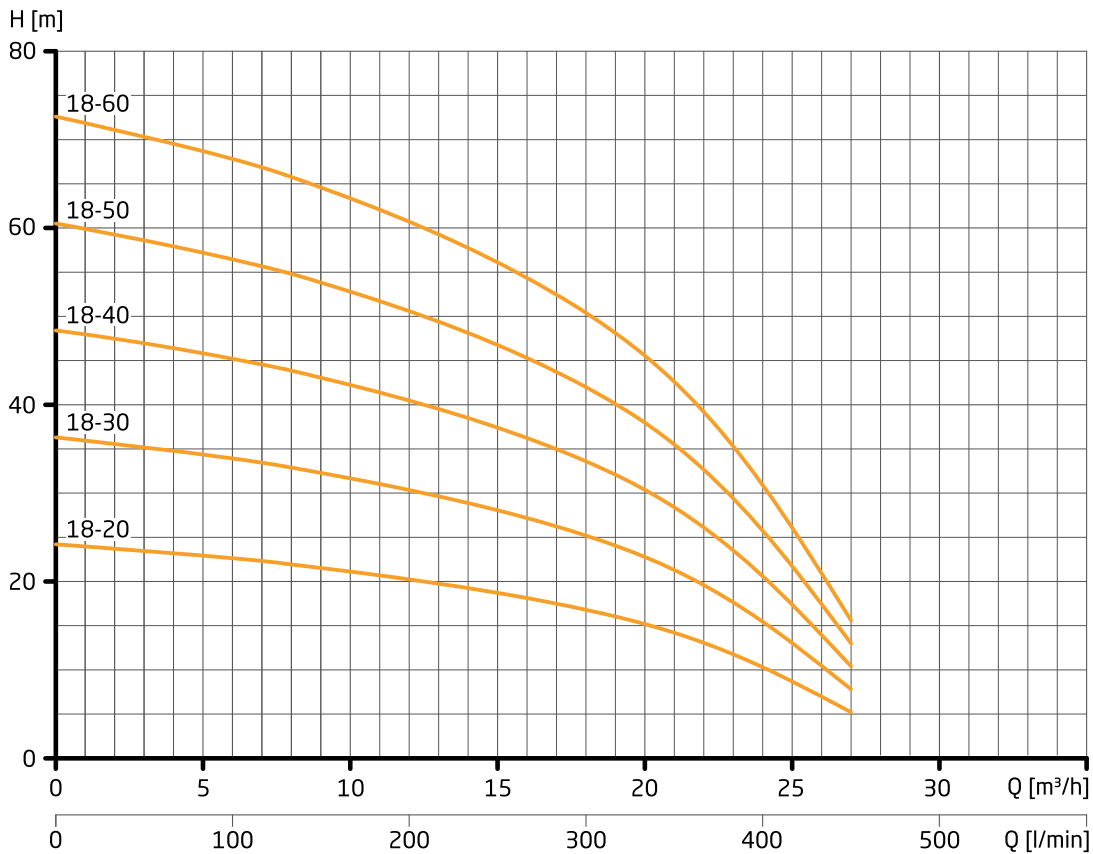
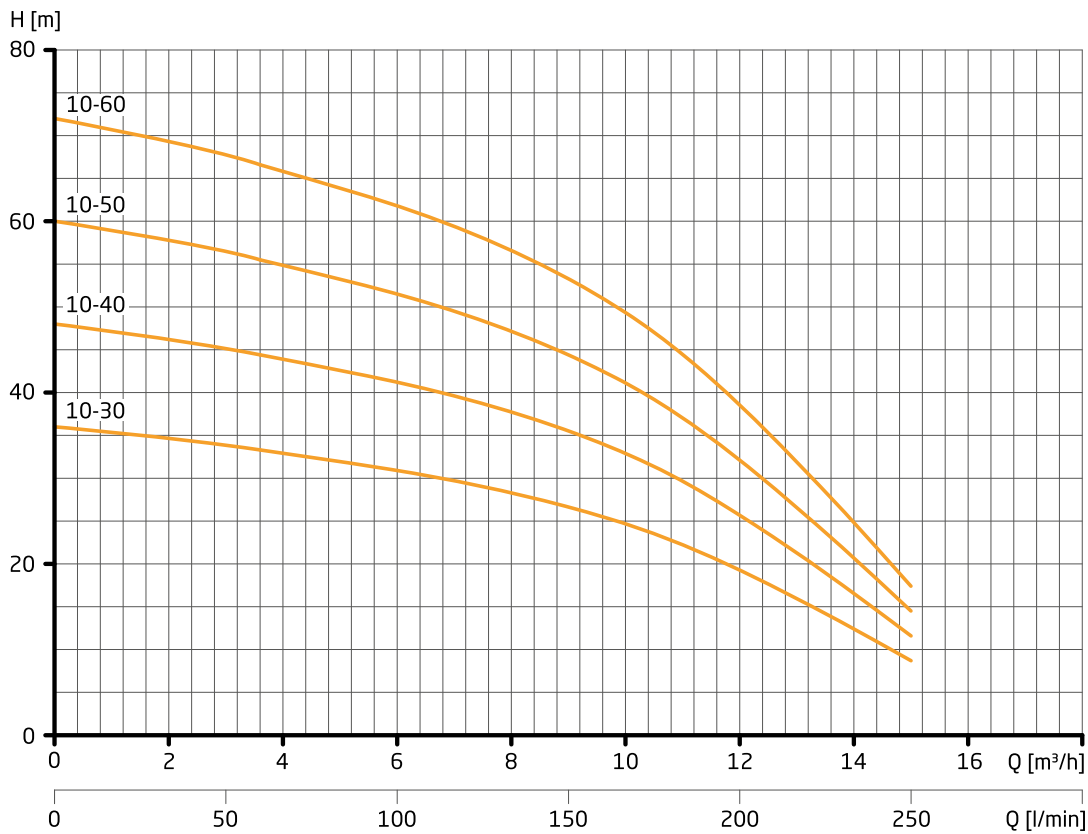
#### MTX 5-60

MTX: ..... pump type  
 5: ..... pump size  
 60: ..... number of stages x 10



### Characteristics









### Technical data

Type	Inlet connection (Rp)	Outlet connection (R)	Power output P <sub>2</sub> (kW)	Rated current (A) 3~ Y/Δ 400/230 V	Rated current (A) 1~ 230 V	Weight (kg) 3~/1~
MTX 3-20	1	1	0.45	1.30/2.30	3.00	8.50/9.00
MTX 3-30	1	1	0.65	1.60/2.80	4.20	9.90/10.20
MTX 3-40	1	1	0.65	1.60/2.80	4.20	10.90/10.90
MTX 3-50	1	1	0.75	1.70/3.00	5.20	12.40/12.70
MTX 3-60	1	1	0.90	2.50/4.30	5.50	13.60/14.20
MTX 3-70	1	1	1.30	3.30/5.80	7.50	17.90/18.00
MTX 3-80	1	1	1.30	3.30/5.80	7.50	18.70/18.50
MTX 3-90	1	1	1.50	3.80/6.60	8.50	20.90/20.50
MTX 5-20	1 ¼	1	0.45	1.30/2.30	3.20	8.50/9.00
MTX 5-30	1 ¼	1	0.65	1.60/2.80	4.50	9.90/10.20
MTX 5-40	1 ¼	1	0.90	2.50/4.30	5.70	12.40/12.70
MTX 5-50	1 ¼	1	1.30	3.30/5.80	7.50	16.70/17.00
MTX 5-60	1 ¼	1	1.30	3.30/5.80	7.50	17.10/17.60
MTX 5-70	1 ¼	1	1.50	3.80/6.60	8.50	19.60/18.70
MTX 5-80	1 ¼	1	2.20	4.70/8.20	12.30	19.60/27.00
MTX 5-90	1 ¼	1	2.20	4.70/8.20	12.30	19.70/27.50
MTX 10-30	1 ½	1 ¼	1.30	3.30/5.80	7.50	14.50/15.00
MTX 10-40	1 ½	1 ¼	1.50	3.80/6.60	8.50	18.20/16.40
MTX 10-50	1 ½	1 ¼	2.20	4.70/8.20	12.30	18.80/22.00
MTX 10-60	1 ½	1 ¼	2.20	4.70/8.20	12.30	19.20/27.10
MTX 18-20	2	1 ½	1.50	3.80/6.60	8.50	17.10/17.50
MTX 18-30	2	1 ½	2.20	4.70/8.20	12.30	18.10/25.70
MTX 18-40	2	1 ½	3.00	6.40/11.10	-	23.80/-
MTX 18-50	2	1 ½	4.00	8.70/15.10	-	33.20/-
MTX 18-60	2	1 ½	4.00	8.70/15.10	-	34.20/-

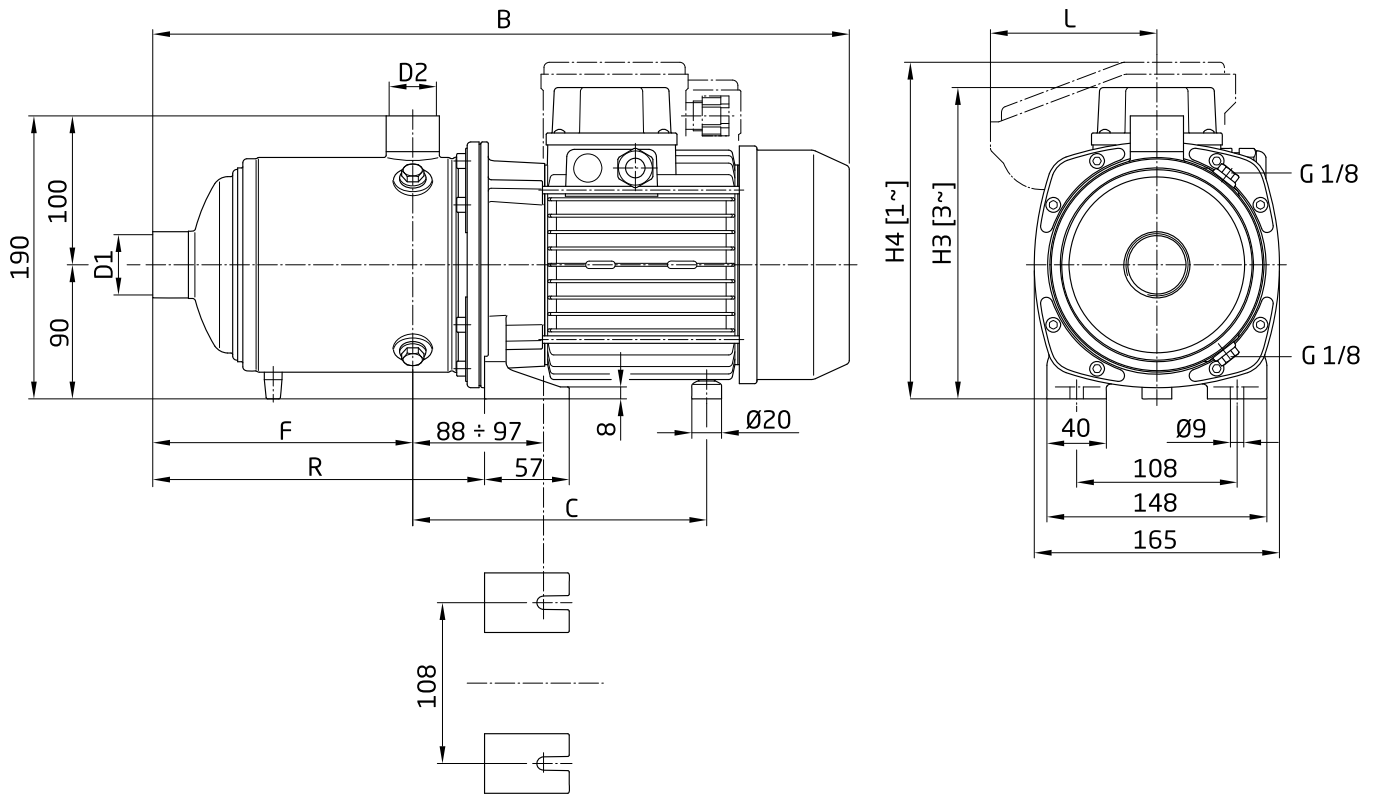
Horizontal pumps

### Order information

Type	Three phase 3~ 400/230 V Article no.	Net RRP	Gross RRP
MTX 3-20	644.0302.067A	385.90 €	459.22 €
MTX 3-30	644.0303.067A	410.43 €	488.41 €
MTX 3-40	644.0304.067A	463.71 €	551.81 €
MTX 3-50	644.0305.067A	510.62 €	607.64 €
MTX 3-60	644.0306.067A	580.98 €	691.37 €
MTX 3-70	644.0307.067A	724.89 €	862.62 €
MTX 3-80	644.0308.067A	766.48 €	912.11 €
MTX 3-90	644.0309.067A	812.32 €	966.66 €
MTX 5-20	644.0502.067A	426.40 €	507.42 €
MTX 5-30	644.0503.067A	462.67 €	550.58 €
MTX 5-40	644.0504.067A	554.32 €	659.64 €
MTX 5-50	644.0505.067A	637.48 €	758.60 €
MTX 5-60	644.0506.067A	677.97 €	806.78 €
MTX 5-70	644.0507.067A	740.86 €	881.62 €
MTX 5-80	644.0508.067A	869.86 €	1,035.13 €
MTX 5-90	644.0509.067A	909.32 €	1,082.09 €
MTX 10-30	644.1003.067A	766.48 €	912.11 €
MTX 10-40	644.1004.067A	845.34 €	1,005.95 €
MTX 10-50	644.1005.067A	877.34 €	1,044.03 €
MTX 10-60	644.1006.067A	931.69 €	1,108.71 €
MTX 18-20	644.1802.067A	891.19 €	1,060.52 €
MTX 18-30	644.1803.067A	955.15 €	1,136.63 €
MTX 18-40	644.1804.067A	1,109.71 €	1,320.55 €
MTX 18-50	644.1805.067A	1,159.84 €	1,380.21 €
MTX 18-60	644.1806.067A	1,226.99 €	1,460.12 €

Type	Single phase 1~ 230 V Article no.	Net RRP	Gross RRP
MTX 3-20	644.0302.068A	408.29 €	485.87 €
MTX 3-30	644.0303.068A	429.61 €	511.24 €
MTX 3-40	644.0304.068A	483.97 €	575.92 €
MTX 3-50	644.0305.068A	514.87 €	612.70 €
MTX 3-60	644.0306.068A	582.03 €	692.62 €
MTX 3-70	644.0307.068A	722.77 €	860.10 €
MTX 3-80	644.0308.068A	763.27 €	908.29 €
MTX 3-90	644.0309.068A	806.97 €	960.29 €
MTX 5-20	644.0502.068A	456.25 €	542.94 €
MTX 5-30	644.0503.068A	483.97 €	575.92 €
MTX 5-40	644.0504.068A	559.67 €	666.01 €
MTX 5-50	644.0505.068A	640.66 €	762.39 €
MTX 5-60	644.0506.068A	676.92 €	805.53 €
MTX 5-70	644.0507.068A	740.86 €	881.62 €
MTX 5-80	644.0508.068A	863.48 €	1,027.54 €
MTX 5-90	644.0509.068A	901.84 €	1,073.19 €
MTX 10-30	644.1003.068A	763.27 €	908.29 €
MTX 10-40	644.1004.068A	838.95 €	998.35 €
MTX 10-50	644.1005.068A	871.99 €	1,037.67 €
MTX 10-60	644.1006.068A	927.43 €	1,103.64 €
MTX 18-20	644.1802.068A	884.79 €	1,052.90 €
MTX 18-30	644.1803.068A	949.82 €	1,130.29 €

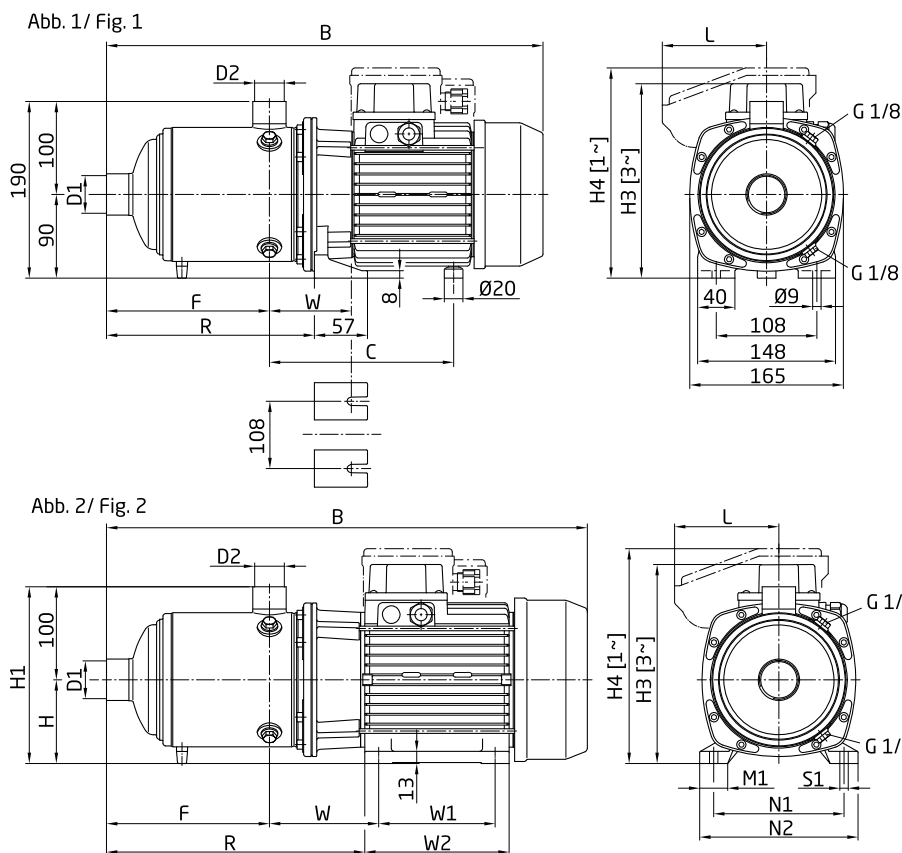
## Dimensions



Type	D1	D2	B	C	F	H3	H4	L	R
MTX 3-20 1~	Rp 1	Rp 1	360	171	103	-	200	86.5	151.5
MTX 3-20 3~	Rp 1	Rp 1	360	171	103	192	-	-	151.5
MTX 3-30 1~	Rp 1	Rp 1	360	171	103	-	200	86.5	151.5
MTX 3-30 3~	Rp 1	Rp 1	360	171	103	192	-	-	151.5
MTX 3-40 1~	Rp 1	Rp 1	384	171	127	-	200	86.5	175.5
MTX 3-40 3~	Rp 1	Rp 1	384	171	127	192	-	-	175.5
MTX 3-50 1~	Rp 1	Rp 1	408	171	151	-	200	86.5	199.5
MTX 3-50 3~	Rp 1	Rp 1	408	171	151	192	-	-	199.5
MTX 3-60 1~	Rp 1	Rp 1	432	171	175	-	219	106	223.5
MTX 3-60 3~	Rp 1	Rp 1	444	171	175	192	-	-	223.5
MTX 3-70 1~	Rp 1	Rp 1	518	198	199	-	226	112	247.5
MTX 3-70 3~	Rp 1	Rp 1	518	198	199	209	-	-	247.5
MTX 3-80 1~	Rp 1	Rp 1	542	198	223	-	226	112	271.5
MTX 3-80 3~	Rp 1	Rp 1	542	198	223	209	-	-	271.5
MTX 3-90 1~	Rp 1	Rp 1	566	198	247	-	226	112	295.5
MTX 3-90 3~	Rp 1	Rp 1	567	198	247	209	-	-	295.5



## Dimensions



**Figure 1**

Type	D1	D2	B	C	F	H3	H4	L	R	W
MTX 5-20 1~	Rp 1 ¼	Rp 1	360	171	103	-	200	86,5	151,5	88-97
MTX 5-20 3~	Rp 1 ¼	Rp 1	360	171	103	192	-	-	151,5	88-97
MTX 5-30 1~	Rp 1 ¼	Rp 1	360	171	103	-	200	86,5	151,5	88-97
MTX 5-30 3~	Rp 1 ¼	Rp 1	360	171	103	192	-	-	151,5	88-97
MTX 5-40 1~	Rp 1 ¼	Rp 1	384	171	127	-	219	106	175,5	88-97
MTX 5-40 3~	Rp 1 ¼	Rp 1	396	171	127	192	-	-	175,5	88-97
MTX 5-50 1~	Rp 1 ¼	Rp 1	470	198	151	-	226	112	199,5	88-97
MTX 5-50 3~	Rp 1 ¼	Rp 1	470	198	151	209	-	-	199,5	88-97
MTX 5-60 1~	Rp 1 ¼	Rp 1	494	198	175	-	226	112	223,5	88-97
MTX 5-60 3~	Rp 1 ¼	Rp 1	494	198	175	209	-	-	223,5	88-97
MTX 5-70 1~	Rp 1 ¼	Rp 1	518	198	199	-	226	112	247,5	88-97
MTX 5-70 3~	Rp 1 ¼	Rp 1	518,5	198	199	209	-	-	247,5	88-97
MTX 5-80 1~	Rp 1 ¼	Rp 1	603	-	223	-	231	112	325,5	117,5
MTX 5-80 3~	Rp 1 ¼	Rp 1	542,5	198	223	209	-	-	271,5	88-97
MTX 5-90 1~	Rp 1 ¼	Rp 1	627	-	247	-	231	112	349,5	117,5
MTX 5-90 3~	Rp 1 ¼	Rp 1	566,5	198	247	209	-	-	295,5	88-97

**Figure 2**

Type	H	H1	W1	W2	M1	N1	N2	S1
MTX 5-80 1~	90	190	125	155	30	140	170	9
MTX 5-90 1~	90	190	125	155	30	140	170	9

Missing dimensions can be taken from the table "Figure 1".

## Dimensions

Abb. 1/ Fig. 1

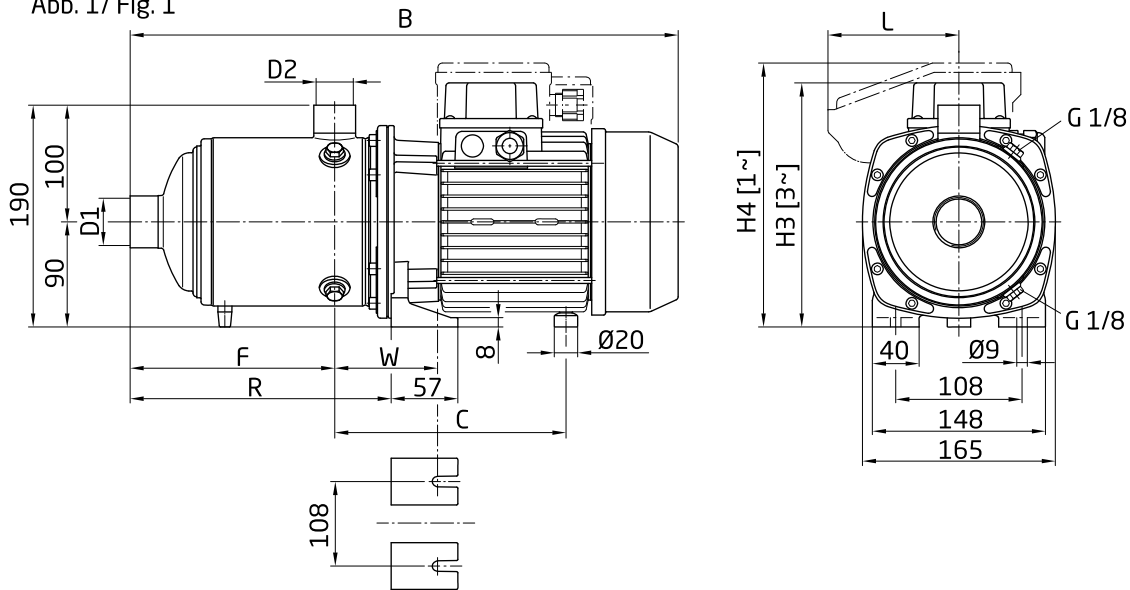


Abb. 2/ Fig. 2

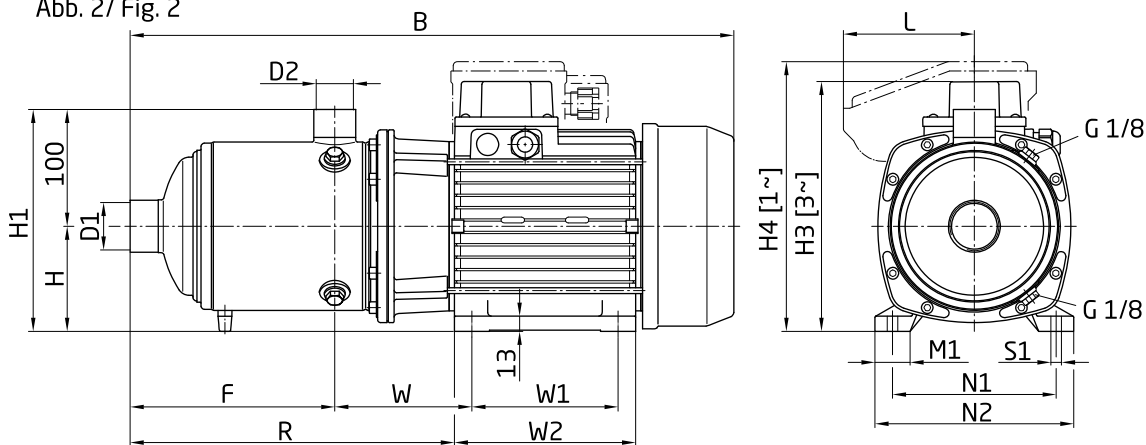


Figure 1

Type	D1	D2	B	C	F	H3	H4	L	R	W
MTX 10-20 1~	Rp 1 1/2	Rp 1 1/4	379	175	118	-	200	86,5	170,5	92-101
MTX 10-20 3~	Rp 1 1/2	Rp 1 1/4	379	175	118	192	-	-	170,5	92-101
MTX 10-30 1~	Rp 1 1/2	Rp 1 1/4	441	202	118	-	226	112	170,5	92-101
MTX 10-30 3~	Rp 1 1/2	Rp 1 1/4	441	202	118	209	-	-	170,5	92-101
MTX 10-40 1~	Rp 1 1/2	Rp 1 1/4	471	202	148	-	226	112	200,5	92-101
MTX 10-40 3~	Rp 1 1/2	Rp 1 1/4	471,5	202	148	209	-	-	200,5	92-101
MTX 10-50 1~	Rp 1 1/2	Rp 1 1/4	562	-	178	-	231	112	284,5	121,5
MTX 10-50 3~	Rp 1 1/2	Rp 1 1/4	501,5	202	178	209	-	-	230,5	92-101
MTX 10-60 1~	Rp 1 1/2	Rp 1 1/4	592	-	208	-	231	112	314,5	121,5
MTX 10-60 3~	Rp 1 1/2	Rp 1 1/4	531,5	202	208	209	-	-	260,5	92-101

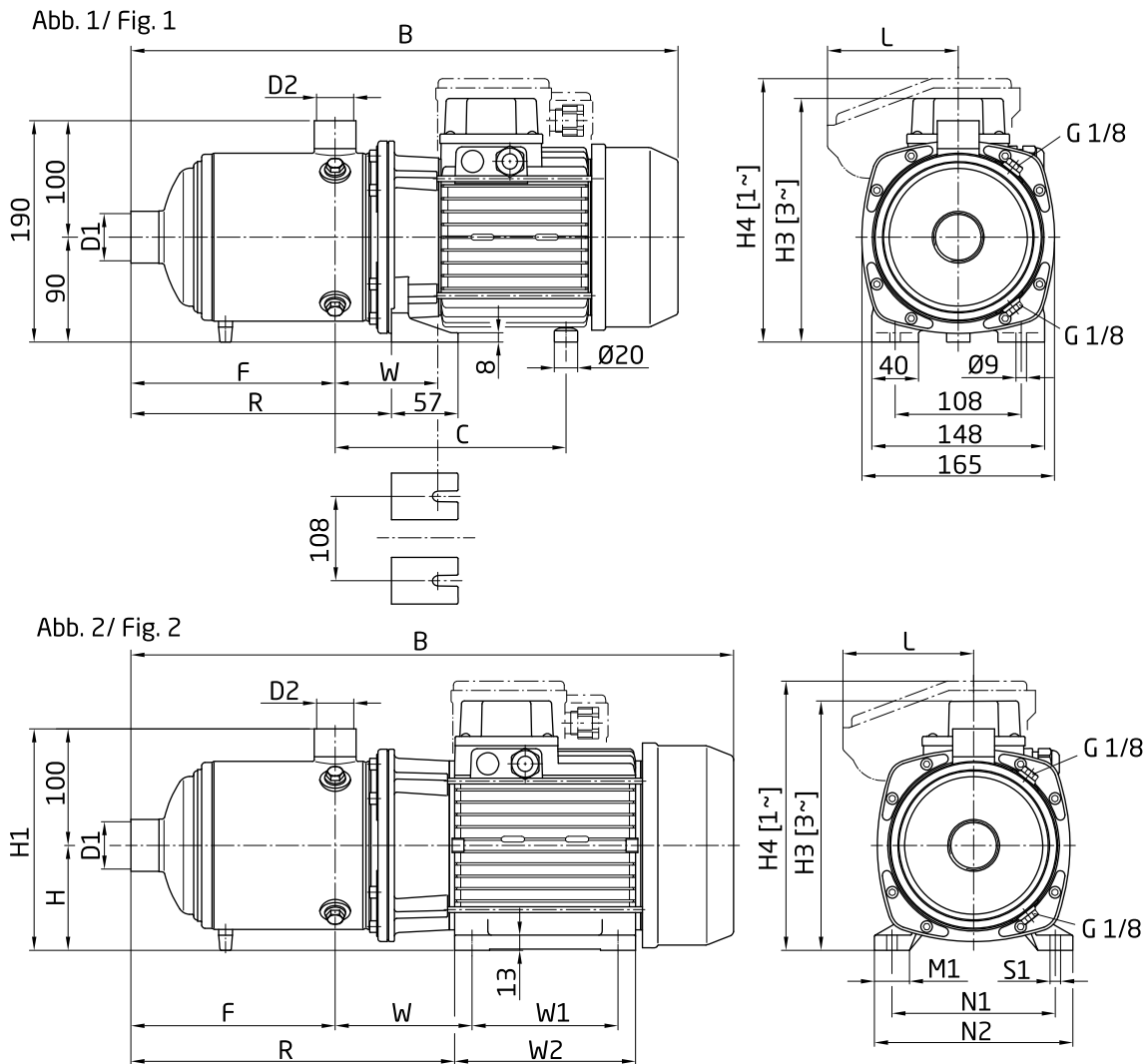
Figure 2

Typ	H	H1	W1	W2	M1	N1	N2	S1
MTX 10-50 1~	90	190	125	155	30	140	170	9
MTX 10-60 1~	90	190	125	155	30	140	170	9

Missing dimensions can be taken from the table "Figure 1".



## Dimensions



**Figure 1**

Typ	D1	D2	B	C	F	H3	H4	L	R	W
MTX 18-20 1~	Rp 2	Rp 1 ½	467	205	141	-	226	112	196,5	95-104
MTX 18-20 3~	Rp 2	Rp 1 ½	467,5	205	141	209	-	-	196,5	95-104
MTX 18-30 1~	Rp 2	Rp 1 ½	528	-	141	-	231	112	250,5	124,5
MTX 18-30 3~	Rp 2	Rp 1 ½	467,5	205	141	209	-	-	196,5	95-104
MTX 18-40 3~	Rp 2	Rp 1 ½	565	-	178,5	214	-	-	288	124,5
MTX 18-50 3~	Rp 2	Rp 1 ½	615	-	216	241	-	-	315	114
MTX 18-60 3~	Rp 2	Rp 1 ½	652	-	253,5	241	-	-	352,5	114

**Figure 2**

Typ	H	H1	W1	W2	M1	N1	N2	S1
MTX 18-30 1~	90	190	125	155	30	140	170	9
MTX 18-40 3~	90	190	125	155	30	140	170	9
MTX 18-50 3~	100	200	140	170	35	160	192	11
MTX 18-60 3~	100	200	140	170	35	160	192	11

Missing dimensions can be taken from the table "Figure 1".



# Product overview

## Pump controls



---

### Pump controls SPR-MIDA

Performance: 0.55 kW to 22.0 kW

**Page 110**

---

### Pump controls SPR-VTL® AQUA DRIVE

Performance: 0.75 kW to 45 kW

**Page 112**



---

### Pump controls SPR-H

Performance: 0.75 kW bis 45 kW, 1 to 6 Pumpen

**Page 114**

# SPR-MIDA



## Pump control

### Field of application

- > Water supply
- > Cooling circuit
- > Irrigation
- > Industrial applications

### Design

The pump is perfectly adjusted to the system with the SPR-MIDA speed control. The pump control is available with the following types of control:

- > constant pressure control
- > temperature control
- > level control
- > external speed signal/1-2 fixed values

The SPR-MIDA speed control can be adapted directly on the motor optionally. All versions are suitable for wall mounting (wall mounting kit necessary).

The speed controls are equipped with a OLED display, PTC thermistor connection and keyboard. Bluetooth monitoring and programming are possible via App and smartphone.

The system is parameterised in the factory.

The series MIDA 2xx requires an input voltage of 1~ 230 V.

The series MIDA 4xx requires an input voltage of 3~ 380-400 V.

### Type key

#### SPR-MIDA-010-404-P

SPR: ..... SPECK pump controls  
MIDA: ..... Type of frequency converter  
0: ..... Pilot pump  
1: ..... Main pump  
0: ..... Booster pump  
4: ..... 400 V, 3~/230 V, 1~  
04: ..... Max. rated current in Ampere  
P: ..... parameterised

### Technical data

- > Performance range: 0.55 kW - 22.00 kW
- > Power supply frequency: 50 - 60 Hz
- > Ambient temperature: -10 °C - 40 °C
- > Interface, Bluetooth and Modbus RTU RS 485
- > Freely programmable pump control with keyboard and OLED display
- > Display for all operating messages
- > Four digital inputs for the start command, reset, manual operation, switching between nominal values, float switch etc.
- > Two adjustable relay outputs for error, operation, lack of water, sensor failure etc.
- > 4 analogue inputs 2x 4-20 mA, 2x 0-10 V
- > Speed control system for 1 pump
- > Monitoring and programming via Bluetooth and App.
- > Adjustable PI control for fast pressure control
- > Adjustable zero volume switch-off system to switch the pump into "standby" mode
- > Manual operation with adjustable constant speed for emergency supply if the sensors fail
- > Adjustable electronic dry run protection
- > Adjustable electronic pressure monitoring
- > Adjustable sensor mode
- > Adjustable motor characteristics
- > Temperature dependent fan control
- > IP 66 aluminium housing
- > Fault log
- > Operating hours meter





## Technical data

Type	Input voltage	Output voltage	approx. performance (kW) each pump	Max. potential motor rated current (A)	Dimensions L x B x H
SPR-MIDA-203	1~, 230 V	3~, 230 V	0.55	3.00	215 x 180 x 130
SPR-MIDA-205	1~, 230 V	3~, 230 V	1.10	5.00	215 x 180 x 130
SPR-MIDA-207	1~, 230 V	3~, 230 V	1.50	7.50	215 x 180 x 130
SPR-MIDA-404	3~, 380-400 V	3~, 400 V	1.50	4.00	215 x 180 x 130
SPR-MIDA-406	3~, 380-400 V	3~, 400 V	2.20	6.00	215 x 180 x 130
SPR-MIDA-409	3~, 380-400 V	3~, 400 V	4.00	9.00	215 x 180 x 130
SPR-MIDA-414	3~, 380-400 V	3~, 400 V	5.50	14.00	340 x 250 x 190
SPR-MIDA-418	3~, 380-400 V	3~, 400 V	7.50	18.00	340 x 250 x 190
SPR-MIDA-425	3~, 380-400 V	3~, 400 V	11.00	25.00	340 x 250 x 190
SPR-MIDA-430	3~, 380-400 V	3~, 400 V	15.00	30.00	340 x 250 x 190
SPR-MIDA-438	3~, 380-400 V	3~, 400 V	18.50	38.00	340 x 250 x 190
SPR-MIDA-444	3~, 380-400 V	3~, 400 V	22.00	44.00	340 x 250 x 190

## Order information

### Additional charges

Type	Article no.	Approx. weight (kg)		Net RRP	Gross RRP
SPR-MIDA-203*, 0.55 kW	569.9912.030	2.20	X	648.73 €	771.99 €
SPR-MIDA-205*, 1.10 kW	569.9912.050	2.70	X	688.26 €	819.03 €
SPR-MIDA-207*, 1.50 kW	569.9912.070	2.70	X	741.78 €	882.72 €
SPR-MIDA-404*, 1.10 kW	569.9912.020	2.70	X	1,122.45 €	1,335.72 €
SPR-MIDA-406*, 2.20 kW	569.9912.040	3.40	X	1,253.98 €	1,492.24 €
SPR-MIDA-409*, 4.00 kW	569.9912.060	4.20	X	1,663.22 €	1,979.23 €
SPR-MIDA-414*, 5.50 kW	569.9912.080	5.60	X	2,189.73 €	2,605.78 €
SPR-MIDA-418*, 7.50 kW	569.9912.090	7.90	X	2,408.59 €	2,866.22 €
SPR-MIDA-425*, 11.00 kW	569.9912.100	11.30	X	2,668.74 €	3,175.80 €
SPR-MIDA-430*, 15.00 kW	569.9912.110	14.80	X	3,431.65 €	4,083.66 €
SPR-MIDA-438*, 18.50 kW	569.9912.120	19.30	X	4,127.33 €	4,911.52 €
SPR-MIDA-444*, 22.00 kW	569.9912.130	22.50	X	4,668.10 €	5,555.04 €
Wall mount SPR-MIDA up to 4.00 kW	569.9912.001	0.45		52.61 €	62.61 €
Wall mount SPR-MIDA from 5.50 kW	569.9912.002	0.70		59.92 €	71.30 €
Surcharge for motor assembly	569.9912.000			187.29 €	222.88 €
Interface-relay SPR-MIDA, 24V	569.9912.003			82.66 €	98.37 €

\*) incl. parameterisation

### Accessories

Type	Article no.	Approx. weight (kg)	Net RRP	Gross RRP
Pressure sensor 0 - 10 bar, G ¼, 4 - 20 mA, DST	500.8500.035	0.15	125.63 €	149.50 €
Pressure sensor 0 - 16 bar, G ¼, 4 - 20 mA, DST	500.8500.036	0.15	125.63 €	149.50 €
Pressure sensor 0 - 10 bar, G ¼, 4 - 20 mA, MBS	500.8500.015	0.20	198.14 €	235.79 €
Pressure sensor 0 - 16 bar, G ¼, 4 - 20 mA, MBS	500.8500.016	0.20	198.14 €	235.79 €
Pressure sensor 0 - 25 bar, G ¼, 4 - 20 mA, MBS	500.8500.025	0.20	235.62 €	280.39 €
Pressure sensor 0 - 40 bar, G ¼, 4 - 20 mA, MBS	500.8500.019	0.20	327.74 €	390.01 €
Sensor cable 2 m, with plug	500.8500.102	0.10	45.71 €	54.39 €
Sensor cable 5 m, with plug	500.8500.105	0.30	60.96 €	72.54 €
Sensor cable 10 m, with plug	500.8500.110	0.50	83.21 €	99.02 €
Sensor cable 30 m, with plug	500.8500.130	1.30	254.92 €	303.35 €

Note: Pump controls are generally selected according to the max. possible rated motor current. Please select the correct control with a reserve of 10 %.  
Example: IN (A) = 5.80 + 10 % = SPR-MIDA 409

= Warehouse goods, can be dispatched immediately

# SPR-VLT® AQUA DRIVE



## Pump control

### Field of application

- > Water supply
- > Cooling circuit
- > Industrial applications

### Design

The pump is perfectly adjusted to the system with the SPR-VLT speed control. The pump control is available with the following types of control:

- > Setpoint control
- > External setpoint value
- > Fixed setpoint value

The SPR-VLT speed control can be mounted directly on the wall.

The speed control is equipped with plain text display, PTC thermistor connection, operating selection keys and repair switch. The system is parameterised in the factory.

### Type key

#### SPR-VLT-010-403-P

SPR: ..... SPECK pump controls  
VLT: ..... Type of frequency converter  
0: ..... Pilot pump  
1: ..... Main pump  
0: ..... Booster pump  
4: ..... 400 V, 3~/230 V, 1~  
04: ..... Max. rated current in Ampere  
P: ..... parameterised

### Technical data

- > Performance range: 0.75 kW - 45 kW
- > Input voltage: 3~ 380-480 V AC
- > Output voltage: 3~ 380-480 V AC
- > Frequency range: 50/60 Hz
- > Factory-parameterised pump control with keypad and backlit plain text display
- > Display for all operating messages, setpoints and values
- > 6 digital inputs for the start command, reset, manual operation, switching between nominal values, float switch etc.
- > 2 analogue inputs, 1 analogue output
- > 2 adjustable relay outputs for error messages
- > Speed control system for 1 pump
- > Password protection
- > Pipe filling mode
- > Connection for sensor 4-20 mA/0-10 V
- > Manual operation with adjustable constant speed for emergency supply if the sensors fail
- > Temperature dependent fan control
- > IP 66 aluminium housing
- > PM mode
- > Fault log
- > Operating hours meter
- > Interface: RS 485 Modbus
- > Further bus options on request



## Technical data

Type	Max. performance (kW) 3~ 400 V each pump	Max. potential motor rated current (A) for output voltage 380-440 V / 441-480 V	Dimensions H x B x T	Approx. weight (kg)
SPR-VLT-402	0.75	2.40 / 2.10	390 x 200 x 175	8.40
SPR-VLT-403	1.10	3.00 / 2.70	390 x 200 x 175	8.40
SPR-VLT-404	1.50	4.10 / 3.40	390 x 200 x 175	8.90
SPR-VLT-405	2.20	5.60 / 4.80	390 x 200 x 175	8.90
SPR-VLT-407	3.00	7.20 / 6.30	390 x 200 x 175	8.90
SPR-VLT-410	4.00	10.00 / 8.20	390 x 200 x 175	8.90
SPR-VLT-413	5.50	13.00 / 11.00	420 x 242 x 200	14.10
SPR-VLT-416	7.50	16.00 / 14.50	420 x 242 x 200	14.30
SPR-VLT-424	11.00	24.00 / 21.00	480 x 242 x 260	21.50
SPR-VLT-432	15.00	32.00 / 27.00	480 x 242 x 260	22.10
SPR-VLT-437	18.50	37.50 / 34.00	480 x 242 x 260	22.10
SPR-VLT-444	22.00	44.00 / 40.00	650 x 242 x 260	28.60
SPR-VLT-461	30.00	61.00 / 52.00	650 x 242 x 260	30.00
SPR-VLT-473	37.00	73.00 / 65.00	680 x 308 x 310	40.00
SPR-VLT-490	45.00	90.00 / 80.00	680 x 308 x 310	41.00

## Order information

Type	Article no.		Net RRP	Gross RRP
SPR-VLT-402	560.6140.210	X	1,283.82 €	1,527.75 €
SPR-VLT-403	560.6140.310	X	1,420.90 €	1,690.87 €
SPR-VLT-404	560.6140.410	X	1,523.63 €	1,813.12 €
SPR-VLT-405	560.6140.510	X	1,735.84 €	2,065.65 €
SPR-VLT-407	560.6140.710	X	1,970.91 €	2,345.38 €
SPR-VLT-410	560.6141.010	X	2,141.19 €	2,548.02 €
SPR-VLT-413	560.6141.310	X	2,415.42 €	2,874.35 €
SPR-VLT-416	560.6141.610	X	3,014.65 €	3,587.43 €
SPR-VLT-424	560.6142.410	X	3,542.18 €	4,215.19 €
SPR-VLT-432	560.6143.210	X	4,132.96 €	4,918.22 €
SPR-VLT-437	560.6143.710	X	5,365.13 €	6,384.50 €
SPR-VLT-444	560.6144.410		6,048.98 €	7,198.29 €
SPR-VLT-461	560.6146.110		7,340.99 €	8,735.78 €
SPR-VLT-473	560.6147.310		8,843.98 €	10,524.34 €
SPR-VLT-490	560.6149.010		10,399.67 €	12,375.61 €

## Accessoires

Type	Article no.	approx. Weight (kg)	Net RRP	Gross RRP
Pressure sensor 0 - 10 bar, G ¼, 4 - 20 mA, MBS	500.8500.015	0,20	198.14 €	235.79 €
Pressure sensor 0 - 16 bar, G ¼, 4 - 20 mA, MBS	500.8500.016	0,20	198.14 €	235.79 €
Pressure sensor 0 - 25 bar, G ¼, 4 - 20 mA, MBS	500.8500.025	0,20	235.62 €	280.39 €
Pressure sensor 0 - 40 bar, G ¼, 4 - 20 mA, MBS	500.8500.019	0,20	327.74 €	390.01 €
Sensor cable 2 m, with plug	500.8500.102	0,10	45.71 €	54.39 €
Sensor cable 5 m, with plug	500.8500.105	0,30	60.96 €	72.54 €
Sensor cable 10 m, with plug	500.8500.110	0,50	83.21 €	99.02 €
Sensor cable 30 m, with plug	500.8500.130	1,30	254.92 €	303.35 €
Commissioning (net)	INBK02		550.00 €	654.50 €
Price reduction without factory parameterisation			70.00 €	83.30 €
Interface-relay 24 V	569.9912.003		82.66 €	98.37 €

= Warehouse goods, can be dispatched immediately

# SPR-H



## Pump control

### Field of application

- > Water supply
- > Cooling circuit
- > Irrigation
- > Industrial applications

### Design

The pump is adjusted to the system perfectly with the SPR-H speed control. The pump control is available with the following types of control:

- > constant pressure control
- > temperature control
- > level control
- > vacuum control

The SPR-H speed control is delivered as an IP 54 steel enclosed control box.

The speed control is equipped with a clear text display, keyboard, main switch and motor protection. The system is parameterised in the factory. Fuses for each pump, manual-O-automatic switch for each pump PTC thermistor connection.

### Type key

#### SPR-H-010-404-P

SPR: ..... SPECK pump controls  
H: ..... Type of frequency converter  
0: ..... Pilot pump  
1: ..... Main pump  
0: ..... Booster pump  
4: ..... 400 V, 3~/230 V, 1~  
04: ..... Max. rated current in Ampere  
P: ..... parameterised

### Special editions

- > Remote adjustment
- > Remote adjustment
- > Water meter
- > Water level control/feed

### Technical data

- > Performance range: 0.75 kW - 45.00 kW
- > Freely programmable pump control with keyboard and backlit clear text display
- > Display for all operating messages, nominal values and commissioning values
- > Four digital inputs for the start command, reset, manual operation, switching between nominal values, float switch etc.
- > 4 adjustable relay outputs for faults, operation, low water, sensor error etc.
- > Speed control system for 1 to 6 pumps
- > Triple password protection
- > Connection for two 4-20 mA sensors
- > Adjustable PI control for fast pressure control
- > Adjustable zero volume switch-off system to switch the pump into "standby" mode
- > Safe start function to fill pipework following a power cut
- > Manual operation with adjustable constant speed for emergency supply if the sensors fail
- > Guard for operation with submersible pumps
- > Adjustable run time monitoring
- > Adjustable leak monitoring
- > Adjustable pressure reduction
- > Adjustable electronic dry run protection
- > Adjustable electronic pressure monitoring
- > Sensor monitoring with emergency switch to constant speed
- > Multi operation with base/peak load operation, automatic fault changeover and pump changeover function
- > Automatic fault changeover and pump changeover function
- > Adjustable type of sensor operation
- > Adjustable test run
- > Adjustable motor characteristics
- > Real time clock with 16 fault logs with time stamp and operating hours meter
- > Interface: RS 232 Slave/GSM2 and RS 485 ModBus Slave
- > Large steel sheet control box IP54 (SPR-H)
- > Temperature dependent fan control (depending on motor capacity) passive fan < 5.4 kW, active fan > 5.5 kW
- > Lockable front switch, fuses
- > Separate power pack with optional double power pack
- > Low leakage current filter C1 installed
- > PTC thermistor connection, as standard
- > SD card for data collection, as standard



## Technical data

Type	Max. performance (kW) 3~ 400 V each pump	Max. potential motor rated current (A)	Dimensions H x B x T	Approx. weight (kg)
<b>For units with 1 pump</b>				
SPR-H 010-402-P	0.75	2.00	600 x 380 x 260	35.00
SPR-H 010-404-P	1.50	4.00	600 x 380 x 260	35.00
SPR-H 010-406-P	2.20	6.50	600 x 400 x 260	38.00
SPR-H 010-407-P	3.00	7.00	600 x 400 x 260	39.00
SPR-H 010-409-P			600 x 400 x 260	
SPR-H 010-412-P	5.50	12.00	700 x 500 x 260	55.00
SPR-H 010-417-P	7.50	17.00	700 x 500 x 260	60.00
SPR-H 010-423-P	11.00	23.00	800 x 600 x 300	65.00
SPR-H 010-432-P	15.00	32.00	800 x 600 x 300	70.00
SPR-H 010-438-P	18.50	38.00	1000 x 600 x 300	85.00
SPR-H 010-444-P	22.00	44.00	1000 x 600 x 300	90.00
SPR-H 010-460-P	30.00	60.00	1000 x 600 x 300	95.00
SPR-H 010-475-P	37.00	75.00	1200 x 800 x 400	150.00
SPR-H 010-490-P	45.00	90.00	1200 x 800 x 400	175.00
<b>For units with 2 pumps</b>				
SPR-H 020-402-P	0.75	2.00	700 x 500 x 260	65.00
SPR-H 020-404-P	1.50	4.00	700 x 500 x 260	66.00
SPR-H 020-406-P	2.20	6.50	700 x 500 x 260	75.00
SPR-H 020-407-P	3.00	7.00	700 x 500 x 260	79.00
SPR-H 020-409-P	4.00	9.00	700 x 500 x 260	80.00
SPR-H 020-412-P	5.50	12.00	700 x 500 x 260	95.00
SPR-H 020-417-P	7.50	17.00	700 x 500 x 260	105.00
SPR-H 020-423-P	11.00	23.00	800 x 800 x 300	110.00
SPR-H 020-432-P	15.00	32.00	800 x 800 x 300	130.00
SPR-H 020-438-P	18.50	38.00	1000 x 1000 x 300	160.00
SPR-H 020-444-P	22.00	44.00	1000 x 1000 x 300	165.00
SPR-H 020-460-P	30.00	60.00	1000 x 1000 x 300	170.00
SPR-H 020-475-P	37.00	75.00	standing cabinet	280.00
SPR-H 020-490-P	45.00	90.00	standing cabinet	330.00
<b>For units with 3 pumps</b>				
SPR-H 030-402-P	0.75	2.00	700 x 500 x 260	94.00
SPR-H 030-404-P	1.50	4.00	700 x 500 x 260	95.00
SPR-H 030-406-P	2.20	6.50	700 x 500 x 260	98.00
SPR-H 030-407-P	3.00	7.00	700 x 500 x 260	105.00
SPR-H 030-409-P	4.00	9.00	800 x 600 x 300	110.00
SPR-H 030-412-P	5.50	12.00	800 x 600 x 300	140.00
SPR-H 030-417-P	7.50	17.00	800 x 600 x 300	160.00
SPR-H 030-423-P	11.00	23.00	1000 x 1000 x 300	180.00
SPR-H 030-432-P	15.00	32.00	1000 x 1000 x 300	235.00
SPR-H 030-438-P	18.50	37.00	1200 x 1200 x 300	255.00
SPR-H 030-444-P	22.00	44.00	1200 x 1200 x 300	290.00
SPR-H 030-460-P	30.00	60.00	standing cabinet	310.00
SPR-H 030-475-P	37.00	75.00	standing cabinet	445.00
SPR-H 030-490-P	45.00	90.00	standing cabinet	520.00

Order information

Type	Article no.	Net RRP	Gross RRP
<b>For units with 1 pump</b>			
SPR-H 010-402-P	560.6410.201	2,872.80 €	3,418.63 €
SPR-H 010-404-P	560.6410.402	3,146.40 €	3,744.22 €
SPR-H 010-406-P	560.6410.602	3,462.75 €	4,120.67 €
SPR-H 010-407-P	560.6410.701	3,779.10 €	4,497.13 €
SPR-H 010-409-P	560.6410.901	4,300.65 €	5,117.77 €
SPR-H 010-412-P	560.6411.202	4,907.70 €	5,840.16 €
SPR-H 010-417-P	560.6411.702	5,215.50 €	6,206.45 €
SPR-H 010-423-P	560.6412.302	5,643.00 €	6,715.17 €
SPR-H 010-432-P	560.6413.201	7,096.50 €	8,444.84 €
SPR-H 010-438-P	560.6413.801	8,806.50 €	10,479.74 €
SPR-H 010-444-P	560.6414.401	9,234.00 €	10,988.46 €
SPR-H 010-460-P	560.6414.601	11,140.65 €	13,257.37 €
SPR-H 010-475-P	560.6417.501	15,304.50 €	18,212.36 €
SPR-H 010-490-P	560.6419.001	17,219.70 €	20,491.44 €
<b>For units with 2 pumps</b>			
SPR-H 020-402-P	560.6420.202	4,309.20 €	5,127.95 €
SPR-H 020-404-P	560.6420.402	4,719.60 €	5,616.32 €
SPR-H 020-406-P	560.6420.605	5,194.98 €	6,182.03 €
SPR-H 020-407-P	560.6420.702	5,668.65 €	6,745.69 €
SPR-H 020-409-P	560.6420.901	6,451.83 €	7,677.68 €
SPR-H 020-412-P	560.6421.201	7,361.55 €	8,760.24 €
SPR-H 020-417-P	560.6421.701	7,823.25 €	9,309.67 €
SPR-H 020-423-P	560.6422.301	8,464.50 €	10,072.76 €
SPR-H 020-432-P	560.6423.201	10,644.75 €	12,667.25 €
SPR-H 020-438-P	560.6423.801	13,209.75 €	15,719.60 €
SPR-H 020-444-P	560.6424.401	13,851.00 €	16,482.69 €
SPR-H 020-460-P	560.6424.601	16,711.83 €	19,887.08 €
SPR-H 020-475-P	560.6427.501	24,487.20 €	29,139.77 €
SPR-H 020-490-P	560.6429.001	27,551.52 €	32,786.31 €
<b>For units with 3 pumps</b>			
SPR-H 030-402-P	560.6430.203	5,458.32 €	6,495.40 €
SPR-H 030-404-P	560.6430.402	5,978.16 €	7,114.01 €
SPR-H 030-406-P	560.6430.602	6,580.08 €	7,830.30 €
SPR-H 030-407-P	560.6430.701	7,180.29 €	8,544.55 €
SPR-H 030-409-P	560.6430.901	8,173.80 €	9,726.82 €
SPR-H 030-412-P	560.6431.201	9,324.63 €	11,096.31 €
SPR-H 030-417-P	560.6431.701	9,909.45 €	11,792.25 €
SPR-H 030-423-P	560.6432.301	11,286.00 €	13,430.34 €
SPR-H 030-432-P	560.6433.201	14,193.00 €	16,889.67 €
SPR-H 030-438-P	560.6433.801	17,613.00 €	20,959.47 €
SPR-H 030-444-P	560.6434.401	18,468.00 €	21,976.92 €
SPR-H 030-460-P	560.6436.001	22,281.30 €	26,514.75 €
SPR-H 030-475-P	560.6437.501	33,669.90 €	40,067.18 €
SPR-H 030-490-P	560.6439.001	37,883.34 €	45,081.17 €

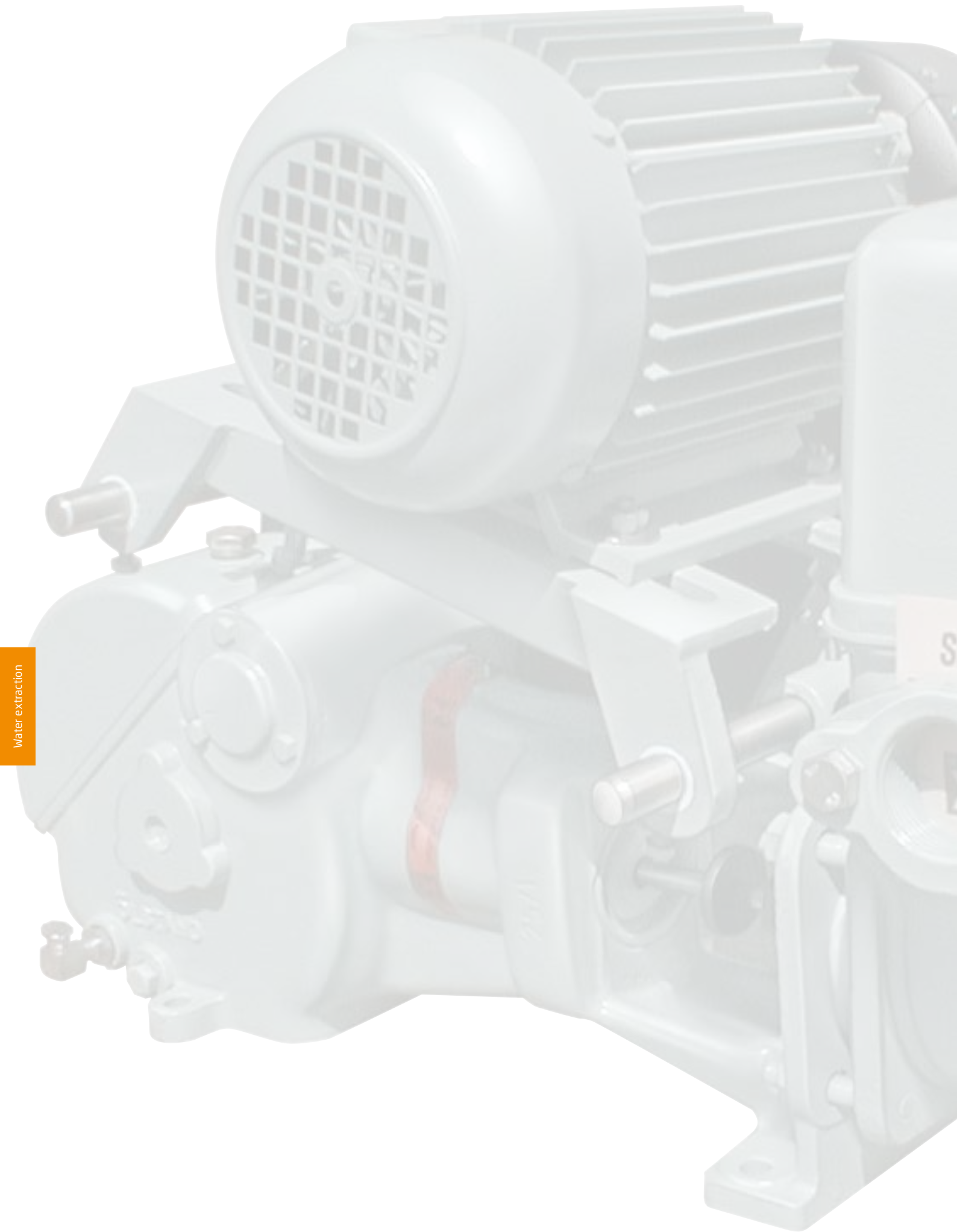


## Accessories

Type	Article no.	aaprox. Weight (kg)	Net RRP	Gross RRP
Pressure sensor 0 - 10 bar, G ¼, 4-20 mA, DST	500.8500.035	0.15	125.63 €	149.50 €
Pressure sensor 0 - 16 bar, G ¼, 4-20 mA, DST	500.8500.036	0.15	125.63 €	149.50 €
Pressure sensor 0 - 10 bar, G ¼, 4-20 mA, MBS	500.8500.015	0.20	198.14 €	235.79 €
Pressure sensor 0 - 16 bar, G ¼, 4-20 mA, MBS	500.8500.016	0.20	198.14 €	235.79 €
Pressure sensor 0 - 25 bar, G ¼, 4-20 mA, MBS	500.8500.025	0.20	235.62 €	280.39 €
Pressure sensor 0 - 40 bar, G ¼, 4-20 mA, MBS	500.8500.019	0.20	327.74 €	390.01 €
Vacuum sensor -1 - 0 bar, G ¼, 0-10 V	391.8380.168	0.20	374.80 €	446.01 €
Temperature sensor -50 - +150 °C, 4 - 20 mA	500.8500.021	0.20	330.93 €	393.81 €
Sensor cable 2 m, with plug	500.8500.102	0.10	45.71 €	54.39 €
Sensor cable 5 m, with plug	500.8500.105	0.30	60.96 €	72.54 €
Sensor cable 10 m, with plug	500.8500.110	0.50	83.21 €	99.02 €
Sensor cable 30 m, with plug	500.8500.130	1.30	254.92 €	303.35 €
Submersible pressure sensor 0 - 0.4 bar, 4 - 20 mA, 15 m cable	500.8500.029	1.00	911.47 €	1,084.65 €
Submersible pressure sensor 0 - 0.4 bar, 4 - 20 mA, 30 m cable	500.8500.028	1.80	1,042.12 €	1,240.12 €

## Supplements

Type	Article no.	Net RRP	Gross RRP
Sine wave filter up to 1.50 kW, 4 A, per pump	560.6902.015	828.99 €	986.50 €
Sine wave filter up to 4.00 kW, 10 A, per pump	560.6902.040	1,032.48 €	1,228.65 €
Sine wave filter up to 7.50 kW, 17 A, per pump	560.6902.075	1,285.25 €	1,529.45 €
Sine wave filter up to 11.00 kW, 23,50 A, per pump	560.6902.110	1,546.60 €	1,840.45 €
Sine wave filter up to 15.00 kW, 32 A, per pump	560.6902.150	1,927.88 €	2,294.18 €
Sine wave filter up to 18.50 kW, 37 A, per pump	560.6902.185	2,101.38 €	2,500.64 €
Sine wave filter up to 22.00 kW, 48 A, per pump	560.6902.220	2,424.84 €	2,885.56 €
Sine wave filter up to 30.00 kW, 61 A, per pump	560.6902.300	2,781.51 €	3,310.00 €
Sine wave filter up to 37.00 kW, 72 A, per pump	560.6902.370	3,187.43 €	3,793.04 €
Sine wave filter up to 45.00 kW, 90 A, per pump	560.6902.450	3,853.63 €	4,585.82 €
Integrated GSM modem (terminal/antenne/3.5 m cable)	560.6901.000	867.55 €	1,032.38 €
Lamp display per function	560.6901.001	96.41 €	114.73 €
Control box lighting/socket	560.6901.002	299.88 €	356.86 €
2/4 nominal value selection switch per control	560.6901.003	133.87 €	159.31 €
Built in potentiometer IP 66 to set the speed	560.6901.004	168.16 €	200.11 €
Relay 24 V AC per irrigation control device	560.6901.005	132.81 €	158.04 €
Control box heating 10/20 W, 230 V	560.6901.006	299.88 €	356.86 €
Active fan per control 1.5 - 5.4 kW (from 5.5 kW series)	569.9900.011	390.93 €	465.21 €
Emergency stop button 16 - 125 A per control	560.6901.007	299.88 €	356.86 €
Ground fault circuit interrupter 40/0,3 type B, selective	560.6901.008	1,479.10 €	1,760.13 €
Ground fault circuit interrupter 63/0,3 type B, selective	560.6901.009	2,084.24 €	2,480.25 €
Feed function via submerged pressure transmitter	560.6901.010	532.30 €	633.44 €
Electrode relay for dry running protection, via electrodes	560.6901.011	255.97 €	304.60 €
Actual pressure module/signal converter 230 V	560.6901.012	386.65 €	460.11 €
Overvoltage/lightning protection module	560.6901.013	2,377.71 €	2,829.47 €
Air conditioner heating + cooling	560.6901.014	4,489.82 €	5,342.89 €
Feed function via floating toggle switch	560.6901.015	594.43 €	707.37 €
Flush according to DIN EN 1717	560.6901.017	530.54 €	631.34 €
Modbus-Profibus module	560.6901.018	1,625.14 €	1,933.92 €
Aktive/passive transformer sensor	560.6901.019	171.53 €	204.12 €
Commissioning (net)	INBK02	550.00 €	654.50 €





# Product overview

## Water extraction



---

### SUPS Borehole pumps

Performance: up to 80 m<sup>3</sup>/h

**Page 120**



---

### Water extraction accessories

**Page 143**



---

### PM Piston pumps + domestic waterwork pumps

Performance: up to 3 m<sup>3</sup>/h

**Page 158**



---

### BS Piston pumps + domestic waterwork pumps

Performance: up to 5 m<sup>3</sup>/h

**Page 162**

# SUPS-EM



## Water supply set

### Field of application

- > Water supply
- > Irrigation
- > Fountain systems
- > Heat pumps
- > Rainwater utilisaton

### Design

The units are automatically switched on and off by a pressure transmitter located in the piping unit. An 18 l diaphragm pressure vessel is mounted as the control tank. An electronic dry-running protection is integrated. The speed is controlled via a frequency converter, incl. wall bracket, LED display and keypad. Bluetooth monitoring via app on smartphone, frequency converter ready to plug in with 3.0 m cable and plug. Including underwater cable 20 m.

### Motor

Protection class: ..... IP 68  
 Class of insulation: ..... B  
 Voltage: ..... 1~ 230 V ± 10 %  
 Motor speed: ..... 2800 rpm  
 Frequency: ..... 50 Hz

### Irrigation package

Consisting of SUPS 4 borehole pump with 20 m underwater cable and free cable end, SPR-MIDA frequency converter, piping unit incl. pressure gauge, pressure sensor and 5 m cable, 18 l diaphragm pressure vessel, PN 10 incl. flow valve.

### Technical data

Flow rate: ..... Q up to max. 8 m<sup>3</sup>/h  
 Total dynamic head: ..... H up to max. 80 m  
 Fluid temperature: ..... t up to max. 30 °C  
 Operating pressure: ..... p up to max. 10 bar

### Pumped fluid

Pure, cold water

### Materials used

Pump housing: ..... stainless steel AISI 304  
 Stages/impellers: ..... stainless steel AISI 304  
 Shaft: ..... stainless steel AISI 304  
 Coupling: ..... stainless steel AISI 316  
 Wear ring: ..... PTFE  
 Bearings/intermediate bearings: ..... NBR  
 Strainer: ..... stainless steel AISI 304

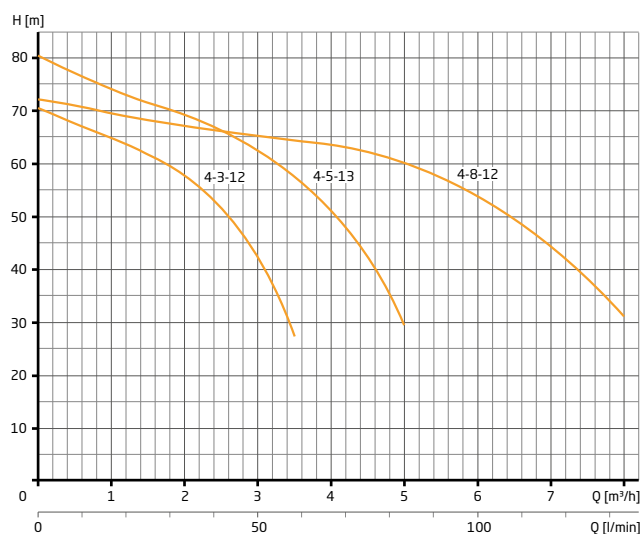
### Type key

#### SUPS-EM 4-5-13

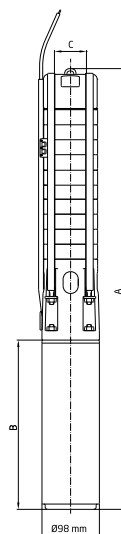
SUPS-EM: ..... unit type  
 E: ..... frequency controlled  
 M: ..... single phase  
 4: ..... pump type 4"  
 5: ..... pump size  
 13: ..... number of stages



## Characteristics



## Dimensions



Type	A	B	C
SUPS-EM 4-3-12	764	271	Rp 1½
SUPS-EM 4-5-13	815	297	Rp 1½
SUPS-EM 4-8-12	814	321	Rp 2

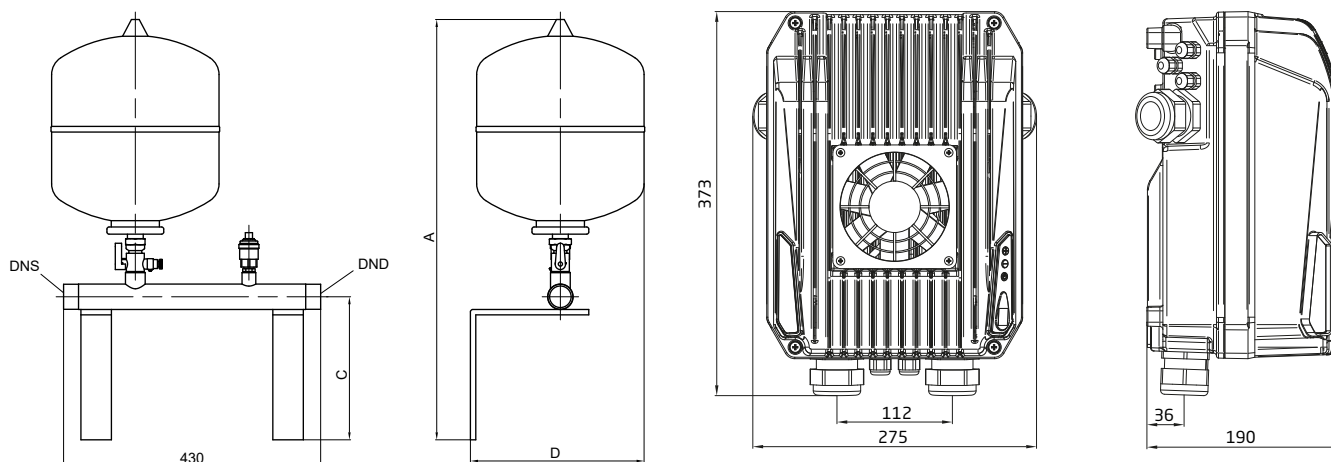
## Technical data

Type	Pipe connection (Rp)	Power output P <sub>2</sub> (kW)	Input voltage	Rated current (A) 1 x 230 V	Weight (kg)
SUPS-EM 4-3-12, with 20 m cable	1½	0.75	1~ 230 V	3.50	24.00
SUPS-EM 4-5-13, with 20 m cable	1½	1.10	1~ 230 V	4.90	24.00
SUPS-EM 4-8-12, with 20 m cable	2	1.50	1~ 230 V	6.70	25.50

## Order information

Type	Article no.	Flow rate (m³/h)	Target pressure (bar)		Net RRP	Gross RRP
SUPS-EM 4-3-12, with 20 m cable	514.1403.124	2.50	3.00	✘	2,049.00 €	2,438.31 €
SUPS-EM 4-5-13, with 20 m cable	514.1405.134	4.00	3.00	✘	2,234.00 €	2,658.46 €
SUPS-EM 4-8-12, with 20 m cable	514.1408.124	6.50	3.00	✘	2,314.00 €	2,753.66 €

## Dimensions



DNS/DND	A	B	C	D
R 1¼	703	430	239	288
R 1½	641	430	242	290

✘ = Warehouse goods, can be dispatched immediately

# SUPS 4



## Borehole pumps

### Field of application

- > Water supply
- > Irrigation
- > Fountain units
- > Heat pumps
- > Rainwater utilisation

### Design

#### Three-phase:

Pump complete with three phase motor 3~ 400V, 50 Hz, 2800 rpm, including non-return valve, without cable connectors.

#### Single phase:

Pump complete with single-phase motor 1~ 230V, 50 Hz, 2800 rpm, with start-up device, including motor protection switch and non-return valve, without cable connectors

### Motor

Protection class: ..... IP 68

Class of insulation: ..... B

Voltage: ..... 1~ 230 V ± 10 %  
with start-up device in ISO housing  
3~ 400 V ± 10 %

Start type: ..... direct start

Motor speed: ..... 2800 rpm

Frequency: ..... 50 Hz

### Special editions

- > Special material AISI 316
- > Higher fluid temperatures

### Technical data

Flow rate: ..... Q up to max. 18 m<sup>3</sup>/h  
Total dynamic head: ..... H up to max. 415 mWs  
Fluid temperature: ..... t up to max. 30 °C  
Sand content: ..... up to max. 150 g/m<sup>3</sup>

### Pumped fluid

Pure, cold water.

### Materials used

Pump housing: ..... stainless steel AISI 304  
Stages/impellers: ..... stainless steel AISI 304  
Shaft: ..... stainless steel AISI 304  
Coupling: ..... stainless steel AISI 304  
Wear ring: ..... PTFE  
Bearings/intermediate bearings: ..... NBR  
Strainer: ..... stainless steel AISI 304

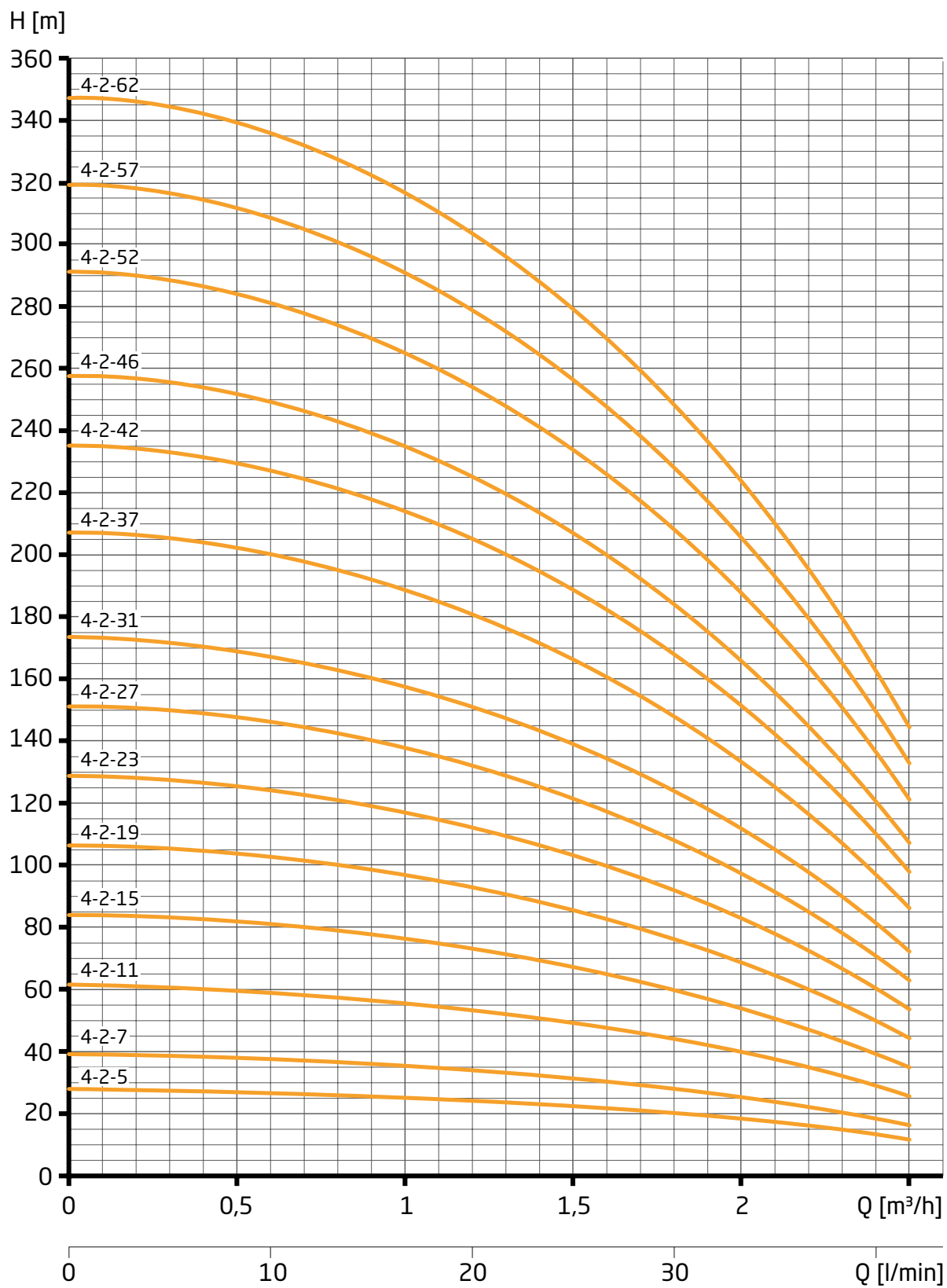
### Type key

#### SUPS 4-3-12

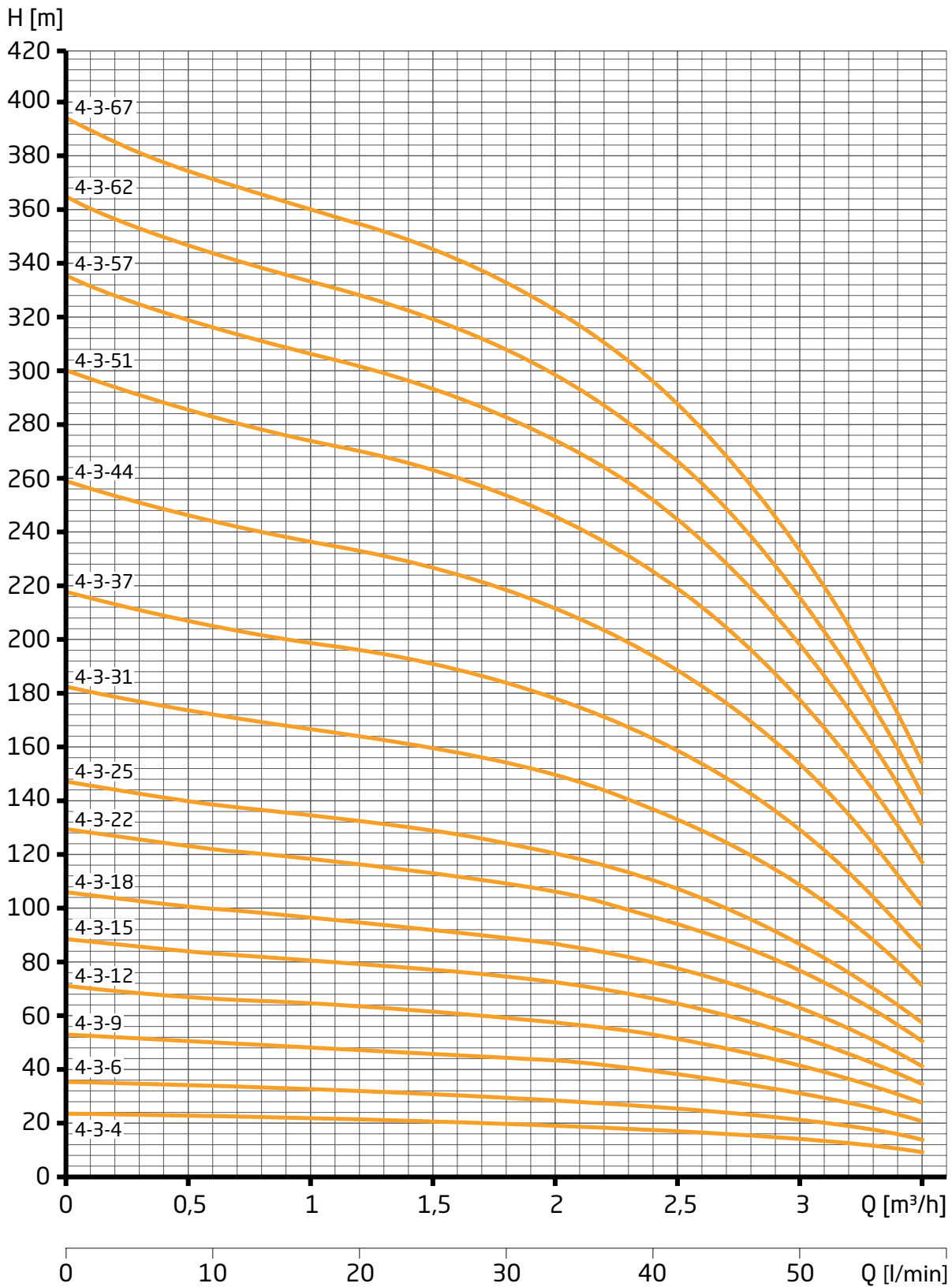
SUP: ..... SPECK borehole pump  
S: ..... stainless steel design  
4: ..... pump type 4"  
3: ..... pump size  
12: ..... number of stages



## Characteristics



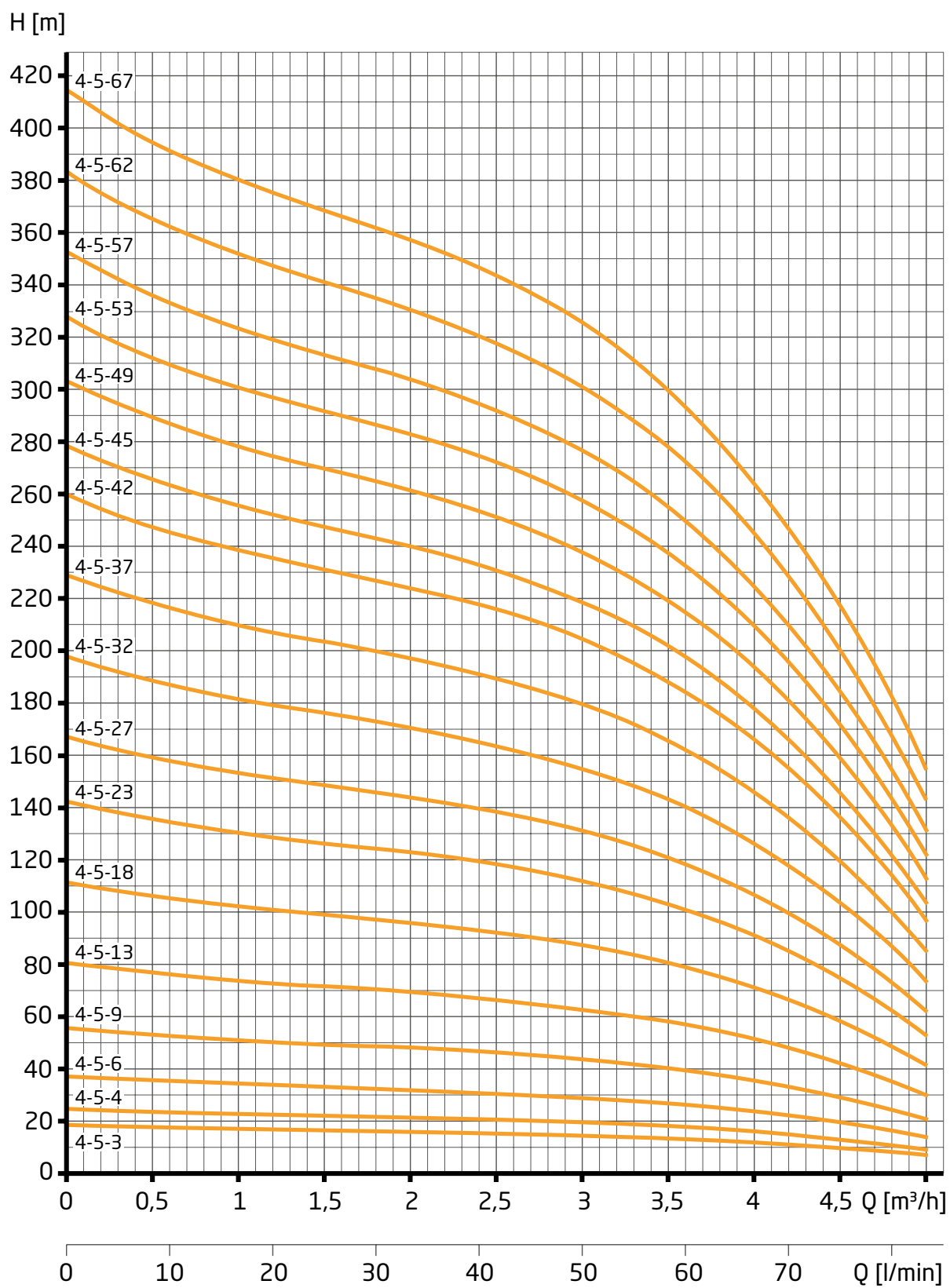
Characteristics



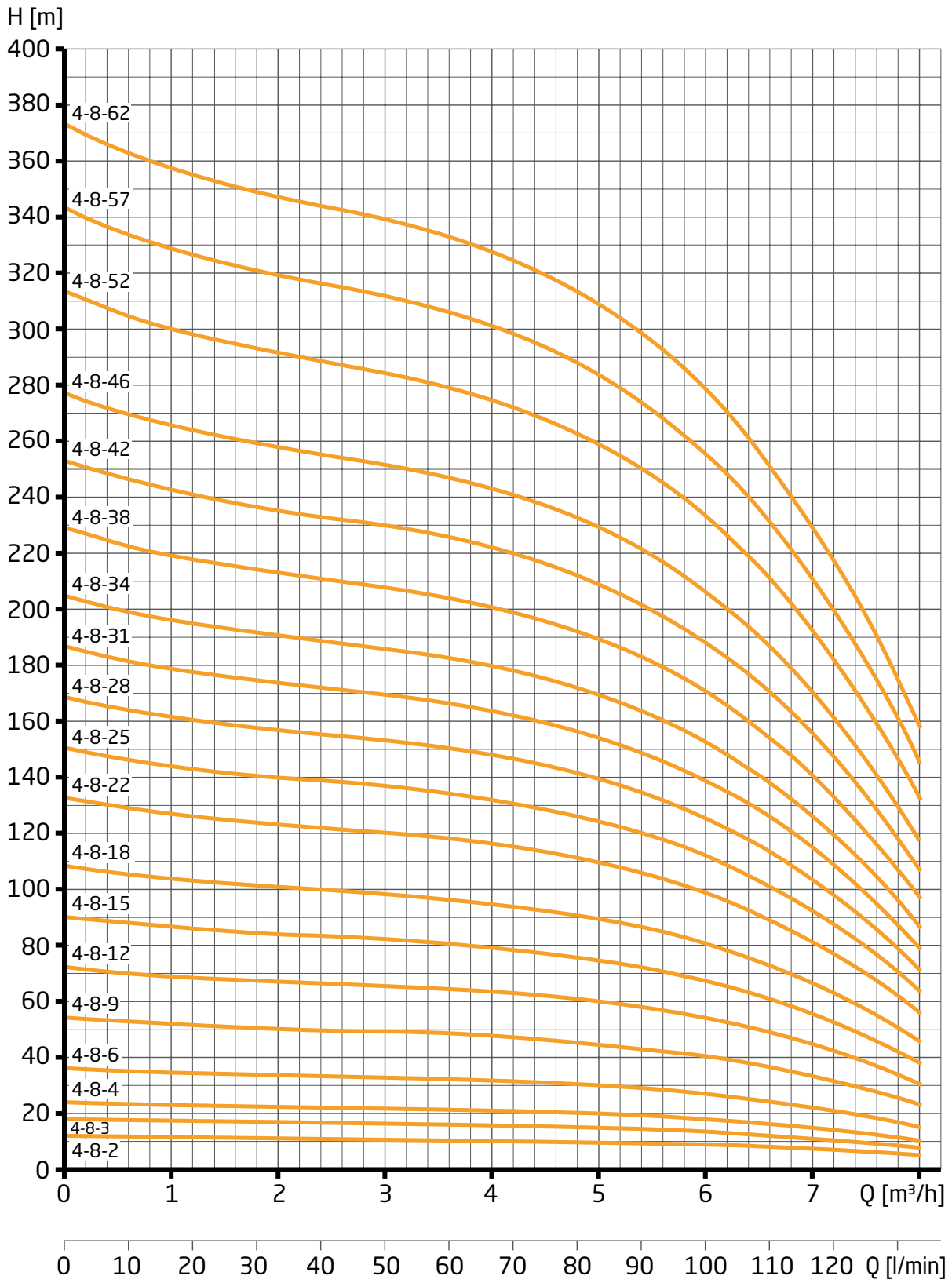
Water extraction



## Characteristics



Characteristics

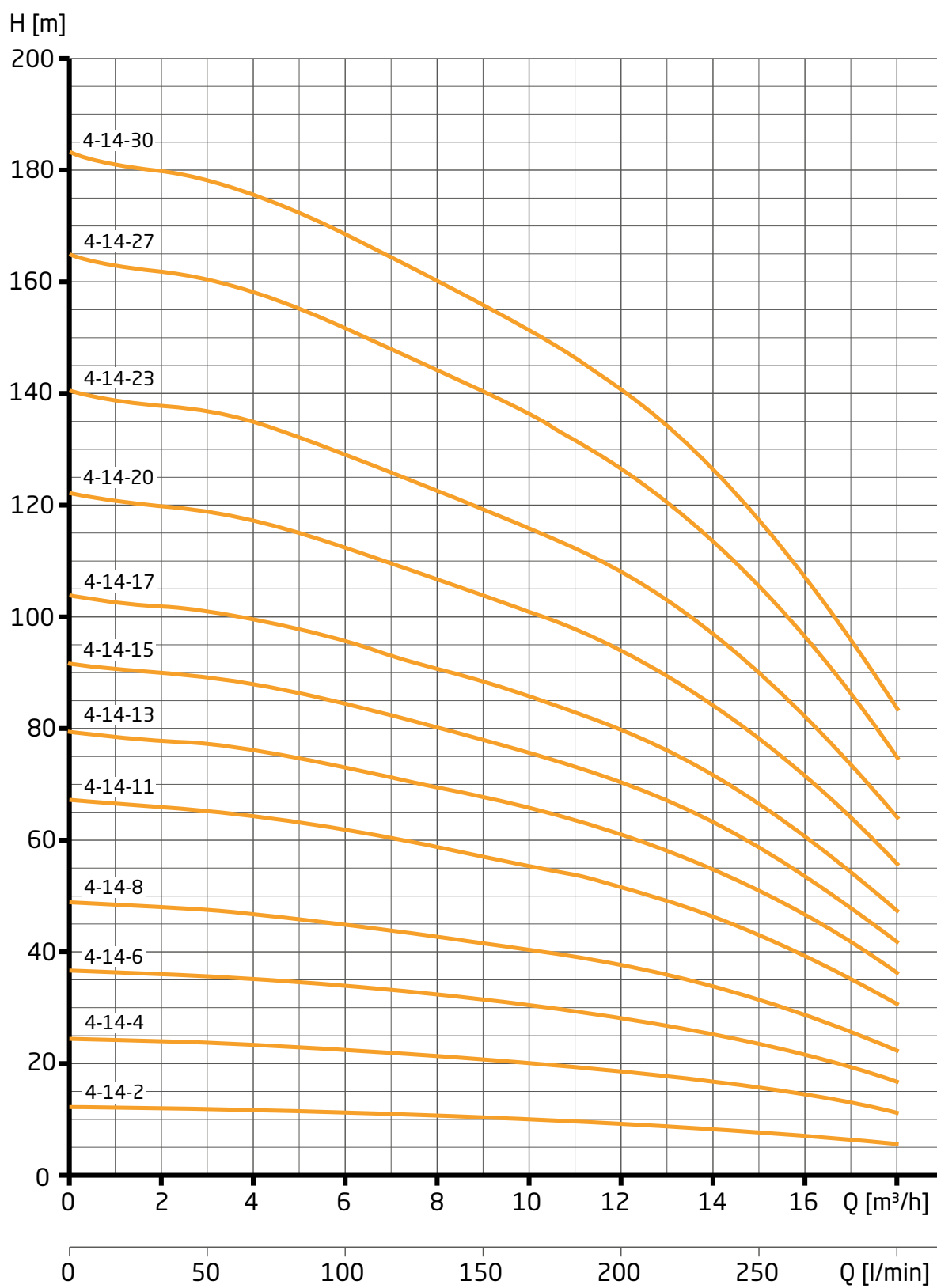


Water extraction





## Characteristics



## Technical data

Type	Pipe connection (Rp)	Power output P <sub>2</sub> (kW)	Rated current (A) 3 x 400 V	Rated current (A) 1 x 230 V	Weight 3~/1~ (kg)
SUPS 4-2-5	1 ½	0.25	0.68	2.40	8.80/9.80
SUPS 4-2-7	1 ½	0.37	1.10	3.30	9.80/11.40
SUPS 4-2-11	1 ½	0.55	1.60	4.30	11.90/12.70
SUPS 4-2-15	1 ½	0.75	2.00	5.70	14.20/16.20
SUPS 4-2-19	1 ½	1.10	2.80	8.40	16.80/18.70
SUPS 4-2-23	1 ½	1.10	2.80	8.40	18.10/20.00
SUPS 4-2-27	1 ½	1.50	3.90	10.70	20.50/22.80
SUPS 4-2-31	1 ½	1.50	3.90	10.70	21.80/24.10
SUPS 4-2-37	1 ½	2.20	5.50	14.70	25.30/30.90
SUPS 4-2-42	1 ½	2.20	5.50	14.70	27.00/32.60
SUPS 4-2-46	1 ½	2.20	5.50	14.70	28.30/33.90
SUPS 4-2-52	1 ½	3.00	7.50	-	32.80/-
SUPS 4-2-57	1 ½	3.00	7.50	-	34.50/-
SUPS 4-2-62	1 ½	3.00	7.50	-	36.20/-
SUPS 4-3-4	1 ½	0.25	0.68	2.40	8.70/9.70
SUPS 4-3-6	1 ½	0.37	1.10	3.30	9.40/11.00
SUPS 4-3-9	1 ½	0.55	1.60	4.30	11.20/13.20
SUPS 4-3-12	1 ½	0.75	2.00	5.70	13.10/15.10
SUPS 4-3-15	1 ½	1.10	2.80	8.40	15.40/17.30
SUPS 4-3-18	1 ½	1.10	2.80	8.40	16.30/18.20
SUPS 4-3-22	1 ½	1.50	3.90	10.70	18.70/21.00
SUPS 4-3-25	1 ½	1.50	3.90	10.70	19.70/22.00
SUPS 4-3-31	1 ½	2.20	5.50	14.70	23.10/28.70
SUPS 4-3-37	1 ½	2.20	5.50	14.70	25.10/30.70
SUPS 4-3-44	1 ½	3.00	7.50	-	29.90/-
SUPS 4-3-51	1 ½	3.00	7.50	-	32.20/-
SUPS 4-3-57	1 ½	3.70	9.00	-	39.70/-
SUPS 4-3-62	1 ½	3.70	9.00	-	41.30/-
SUPS 4-3-67	1 ½	4.00	9.90	-	44.20/-
SUPS 4-5-3	1 ½	0.25	0.68	2.40	8.40/9.40
SUPS 4-5-4	1 ½	0.37	1.10	3.30	8.70/10.30
SUPS 4-5-6	1 ½	0.55	1.60	4.30	10.20/12.20
SUPS 4-5-9	1 ½	0.75	2.00	5.70	12.10/14.10
SUPS 4-5-13	1 ½	1.10	2.80	8.40	14.70/16.60
SUPS 4-5-18	1 ½	1.50	3.90	10.70	17.30/19.60
SUPS 4-5-23	1 ½	2.20	5.50	14.70	20.50/26.10
SUPS 4-5-27	1 ½	2.20	5.50	14.70	21.80/27.40
SUPS 4-5-32	1 ½	3.00	7.50	-	26.00/-
SUPS 4-5-37	1 ½	3.00	7.50	-	27.60/-
SUPS 4-5-42	1 ½	3.70	9.00	-	34.70/-
SUPS 4-5-45	1 ½	3.70	9.00	-	35.70/-
SUPS 4-5-49	1 ½	4.00	9.90	-	37.90/-
SUPS 4-5-53	1 ½	5.50	12.60	-	45.90/-
SUPS 4-5-57	1 ½	5.50	12.60	-	47.20/-
SUPS 4-5-62	1 ½	5.50	12.60	-	48.80/-
SUPS 4-5-67	1 ½	5.50	12.60	-	50.50/-



## Technical data

Type	Pipe connection (Rp)	Power output P <sub>2</sub> (kW)	Rated current (A) 3 x 400 V	Rated current (A) 1 x 230 V	Weight 3~/1~ (kg)
SUPS 4-8-2	2	0.25	0.68	2.40	8.10/9.10
SUPS 4-8-3	2	0.37	1.10	3.30	8.50/10.10
SUPS 4-8-4	2	0.55	1.60	4.30	9.60/11.60
SUPS 4-8-6	2	0.75	2.00	5.70	11.20/13.20
SUPS 4-8-9	2	1.10	2.80	8.40	13.50/15.40
SUPS 4-8-12	2	1.50	3.90	10.70	15.60/17.90
SUPS 4-8-15	2	2.20	5.50	14.70	18.10/23.70
SUPS 4-8-18	2	2.20	5.50	14.70	19.10/24.70
SUPS 4-8-22	2	3.00	7.50	-	23.00/-
SUPS 4-8-25	2	3.00	7.50	-	24.10/-
SUPS 4-8-28	2	3.70	9.00	-	30.60/-
SUPS 4-8-31	2	3.70	9.00	-	31.60/-
SUPS 4-8-34	2	4.00	9.90	-	33.60/-
SUPS 4-8-38	2	5.50	12.60	-	41.50/-
SUPS 4-8-42	2	5.50	12.60	-	42.90/-
SUPS 4-8-46	2	5.50	12.60	-	44.30/-
SUPS 4-8-52	2	7.50	17.10	-	50.40/-
SUPS 4-8-57	2	7.50	17.10	-	52.10/-
SUPS 4-8-62	2	7.50	17.10	-	53.80/-
SUPS 4-14-2	2	0.55	1.60	-	13.10/-
SUPS 4-14-4	2	1.10	2.80	-	17.50/-
SUPS 4-14-6	2	1.50	3.90	-	20.50/-
SUPS 4-14-8	2	2.20	5.50	-	23.70/-
SUPS 4-14-11	2	3.00	7.50	-	28.90/-
SUPS 4-14-13	2	3.00	7.50	-	30.90/-
SUPS 4-14-15	2	3.70	9.00	-	36.80/-
SUPS 4-14-17	2	4.00	9.90	-	39.40/-
SUPS 4-14-20	2	5.50	12.60	-	49.10/-
SUPS 4-14-23	2	5.50	12.60	-	51.80/-
SUPS 4-14-27	2	7.50	17.10	-	59.70/-
SUPS 4-14-30	2	7.50	17.10	-	62.60/-

Order information

Type	Three phase 3~ 400 V article no.		Net RRP	Gross RRP
SUPS 4-2-5	514.1402.057	X	916.63 €	1,090.79 €
SUPS 4-2-7	514.1402.077	X	930.67 €	1,107.50 €
SUPS 4-2-11	514.1402.117	X	1,060.38 €	1,261.85 €
SUPS 4-2-15	514.1402.157	X	1,239.81 €	1,475.37 €
SUPS 4-2-19	514.1402.197	X	1,387.88 €	1,651.58 €
SUPS 4-2-23	514.1402.237		1,501.41 €	1,786.68 €
SUPS 4-2-27	514.1402.277		1,678.65 €	1,997.59 €
SUPS 4-2-31	514.1402.317		1,810.53 €	2,154.53 €
SUPS 4-2-37	514.1402.377		2,372.61 €	2,823.41 €
SUPS 4-2-42	514.1402.427		2,554.19 €	3,039.49 €
SUPS 4-2-46	514.1402.467		2,717.43 €	3,233.74 €
SUPS 4-2-52	514.1402.527		2,984.41 €	3,551.45 €
SUPS 4-2-57	514.1402.577		3,111.95 €	3,703.22 €
SUPS 4-2-62	514.1402.627		3,159.51 €	3,759.82 €
SUPS 4-3-4	514.1403.047	X	1,007.40 €	1,198.81 €
SUPS 4-3-6	514.1403.067	X	898.24 €	1,068.91 €
SUPS 4-3-9	514.1403.097	X	980.38 €	1,166.65 €
SUPS 4-3-12	514.1403.127	X	1,077.68 €	1,282.44 €
SUPS 4-3-15	514.1403.157	X	1,186.84 €	1,412.34 €
SUPS 4-3-18	514.1403.187	X	1,321.96 €	1,573.13 €
SUPS 4-3-22	514.1403.227	X	1,572.73 €	1,871.55 €
SUPS 4-3-25	514.1403.257		1,653.80 €	1,968.02 €
SUPS 4-3-31	514.1403.317		1,884.04 €	2,242.01 €
SUPS 4-3-37	514.1403.377		2,063.47 €	2,455.53 €
SUPS 4-3-44	514.1403.447		2,694.72 €	3,206.72 €
SUPS 4-3-51	514.1403.517		2,907.66 €	3,460.12 €
SUPS 4-3-57	514.1403.577		3,208.16 €	3,817.71 €
SUPS 4-3-62	514.1403.627		3,344.35 €	3,979.78 €
SUPS 4-3-67	514.1403.677		3,521.64 €	4,190.75 €
SUPS 4-5-3	514.1405.037		1,044.21 €	1,242.61 €
SUPS 4-5-4	514.1405.047	X	884.18 €	1,052.17 €
SUPS 4-5-6	514.1405.067	X	971.75 €	1,156.38 €
SUPS 4-5-9	514.1405.097	X	1,018.23 €	1,211.69 €
SUPS 4-5-13	514.1405.137	X	1,204.13 €	1,432.91 €
SUPS 4-5-18	514.1405.187	X	1,448.43 €	1,723.63 €
SUPS 4-5-23	514.1405.237	X	1,730.56 €	2,059.37 €
SUPS 4-5-27	514.1405.277		1,931.59 €	2,298.59 €
SUPS 4-5-32	514.1405.327		2,229.93 €	2,653.62 €
SUPS 4-5-37	514.1405.377		2,366.13 €	2,815.69 €
SUPS 4-5-42	514.1405.427		3,244.92 €	3,861.45 €
SUPS 4-5-45	514.1405.457		3,405.97 €	4,053.10 €
SUPS 4-5-49	514.1405.497		3,599.45 €	4,283.35 €
SUPS 4-5-53	514.1405.537		3,931.30 €	4,678.25 €
SUPS 4-5-57	514.1405.577		4,017.78 €	4,781.16 €
SUPS 4-5-62	514.1405.627		4,102.09 €	4,881.49 €
SUPS 4-5-67	514.1405.677		4,174.51 €	4,967.67 €

Type	Single-phase 1~ 230 V article no.	Net RRP	Gross RRP
SUPS 4-2-5	514.1402.058	968.51 €	1,152.53 €
SUPS 4-2-7	514.1402.078	982.55 €	1,169.23 €
SUPS 4-2-11	514.1402.118	1,126.32 €	1,340.32 €
SUPS 4-2-15	514.1402.158	1,313.32 €	1,562.85 €
SUPS 4-2-19	514.1402.198	1,484.09 €	1,766.07 €
SUPS 4-2-23	514.1402.238	1,596.52 €	1,899.86 €
SUPS 4-2-27	514.1402.278	1,948.90 €	2,319.19 €
SUPS 4-2-31	514.1402.318	2,075.37 €	2,469.69 €
SUPS 4-2-37	514.1402.378	2,764.99 €	3,290.34 €
SUPS 4-2-42	514.1402.428	2,950.91 €	3,511.58 €
SUPS 4-2-46	514.1402.468	3,113.04 €	3,704.52 €
SUPS 4-2-52	-		
SUPS 4-2-57	-		
SUPS 4-2-62	-		
SUPS 4-3-4	514.1403.048	937.17 €	1,115.23 €
SUPS 4-3-6	514.1403.068	953.37 €	1,134.51 €
SUPS 4-3-9	514.1403.098	1,047.41 €	1,246.42 €
SUPS 4-3-12	514.1403.128	1,149.02 €	1,367.33 €
SUPS 4-3-15	514.1403.158	1,283.05 €	1,526.83 €
SUPS 4-3-18	514.1403.188	1,417.08 €	1,686.33 €
SUPS 4-3-22	514.1403.228	1,838.63 €	2,187.97 €
SUPS 4-3-25	514.1403.258	1,919.72 €	2,284.47 €
SUPS 4-3-31	514.1403.318	2,277.49 €	2,710.21 €
SUPS 4-3-37	514.1403.378	2,459.08 €	2,926.31 €
SUPS 4-3-44	-		
SUPS 4-3-51	-		
SUPS 4-3-57	-		
SUPS 4-3-62	-		
SUPS 4-3-67	-		
SUPS 4-5-3	514.1405.038	923.09 €	1,098.48 €
SUPS 4-5-4	514.1405.048	936.07 €	1,113.92 €
SUPS 4-5-6	514.1405.068	1,038.75 €	1,236.11 €
SUPS 4-5-9	514.1405.098	1,091.72 €	1,299.15 €
SUPS 4-5-13	514.1405.138	1,299.25 €	1,546.11 €
SUPS 4-5-18	514.1405.188	1,726.22 €	2,054.20 €
SUPS 4-5-23	514.1405.238	2,125.09 €	2,528.86 €
SUPS 4-5-27	514.1405.278	2,327.21 €	2,769.38 €
SUPS 4-5-32	-		
SUPS 4-5-37	-		
SUPS 4-5-42	-		
SUPS 4-5-45	-		
SUPS 4-5-49	-		
SUPS 4-5-53	-		
SUPS 4-5-57	-		
SUPS 4-5-62	-		
SUPS 4-5-67	-		

X = Warehouse goods, can be dispatched immediately



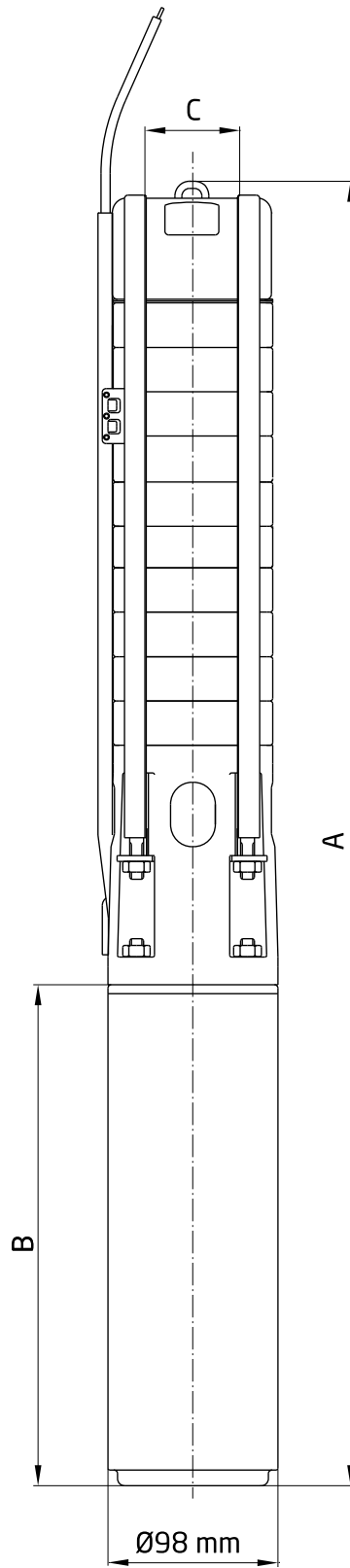
### Order information

Type	Three phase 3~ 400 V article no.	Net RRP	Gross RRP
SUPS 4-8-2	514.1408.027	974.99 €	1,160.24 €
SUPS 4-8-3	514.1408.037	865.82 €	1,030.33 €
SUPS 4-8-4	514.1408.047	X 900.40 €	1,071.48 €
SUPS 4-8-6	514.1408.067	X 976.06 €	1,161.51 €
SUPS 4-8-9	514.1408.097	X 1,105.77 €	1,315.87 €
SUPS 4-8-12	514.1408.127	X 1,277.65 €	1,520.40 €
SUPS 4-8-15	514.1408.157	X 1,612.73 €	1,919.15 €
SUPS 4-8-18	514.1408.187	X 1,704.61 €	2,028.49 €
SUPS 4-8-22	514.1408.227	X 2,053.76 €	2,443.97 €
SUPS 4-8-25	514.1408.257	X 2,148.87 €	2,557.16 €
SUPS 4-8-28	514.1408.287	2,420.16 €	2,879.99 €
SUPS 4-8-31	514.1408.317	2,516.36 €	2,994.47 €
SUPS 4-8-34	514.1408.347	2,645.00 €	3,147.55 €
SUPS 4-8-38	514.1408.387	3,193.02 €	3,799.69 €
SUPS 4-8-42	514.1408.427	3,849.16 €	4,580.50 €
SUPS 4-8-46	514.1408.467	4,035.05 €	4,801.71 €
SUPS 4-8-52	514.1408.527	4,520.41 €	5,379.29 €
SUPS 4-8-57	514.1408.577	4,707.38 €	5,601.78 €
SUPS 4-8-62	514.1408.627	4,898.71 €	5,829.46 €
SUPS 4-14-2	514.1414.027	1,110.11 €	1,321.03 €
SUPS 4-14-4	514.1414.047	1,358.71 €	1,616.86 €
SUPS 4-14-6	514.1414.067	1,593.27 €	1,895.99 €
SUPS 4-14-8	514.1414.087	1,869.99 €	2,225.29 €
SUPS 4-14-11	514.1414.117	2,425.58 €	2,886.44 €
SUPS 4-14-13	514.1414.137	2,623.37 €	3,121.81 €
SUPS 4-14-15	514.1414.157	2,962.80 €	3,525.73 €
SUPS 4-14-17	514.1414.177	3,257.87 €	3,876.87 €
SUPS 4-14-20	514.1414.207	3,696.73 €	4,399.11 €
SUPS 4-14-23	514.1414.237	3,991.82 €	4,750.27 €
SUPS 4-14-27	514.1414.277	4,673.88 €	5,561.92 €
SUPS 4-14-30	514.1414.307	4,976.54 €	5,922.08 €

Type	Single-phase 1~ 230 V article no.	Net RRP	Gross RRP
SUPS 4-8-2	514.1408.028	905.80 €	1,077.90 €
SUPS 4-8-3	514.1408.038	920.94 €	1,095.92 €
SUPS 4-8-4	514.1408.048	967.40 €	1,151.21 €
SUPS 4-8-6	514.1408.068	1,049.58 €	1,249.00 €
SUPS 4-8-9	514.1408.098	1,204.13 €	1,432.91 €
SUPS 4-8-12	514.1408.128	1,601.92 €	1,906.28 €
SUPS 4-8-15	514.1408.158	2,020.23 €	2,404.07 €
SUPS 4-8-18	514.1408.188	2,114.28 €	2,515.99 €
SUPS 4-8-22	-	-	-
SUPS 4-8-25	-	-	-
SUPS 4-8-28	-	-	-
SUPS 4-8-31	-	-	-
SUPS 4-8-34	-	-	-
SUPS 4-8-38	-	-	-
SUPS 4-8-42	-	-	-
SUPS 4-8-46	-	-	-
SUPS 4-8-52	-	-	-
SUPS 4-8-57	-	-	-
SUPS 4-8-62	-	-	-
SUPS 4-14-2	-	-	-
SUPS 4-14-4	-	-	-
SUPS 4-14-6	-	-	-
SUPS 4-14-8	-	-	-
SUPS 4-14-11	-	-	-
SUPS 4-14-13	-	-	-
SUPS 4-14-15	-	-	-
SUPS 4-14-17	-	-	-
SUPS 4-14-20	-	-	-
SUPS 4-14-23	-	-	-
SUPS 4-14-27	-	-	-
SUPS 4-14-30	-	-	-

X = Warehouse goods, can be dispatched immediately

## Dimensions





## Dimensions

Type	A 3~/1~	B 3~/1~	C
SUPS 4-2-5	538/538	237/237	Rp 1 ½
SUPS 4-2-7	610/624	237/251	Rp 1 ½
SUPS 4-2-11	721/746	251/276	Rp 1 ½
SUPS 4-2-15	837/863	271/297	Rp 1 ½
SUPS 4-2-19	960/984	297/321	Rp 1 ½
SUPS 4-2-23	1056/1080	297/321	Rp 1 ½
SUPS 4-2-27	1177/1209	321/353	Rp 1 ½
SUPS 4-2-31	1273/1305	321/353	Rp 1 ½
SUPS 4-2-37	1450/1548	353/451	Rp 1 ½
SUPS 4-2-42	1570/1668	353/451	Rp 1 ½
SUPS 4-2-46	1667/1765	353/451	Rp 1 ½
SUPS 4-2-52	1867/-	408/-	Rp 1 ½
SUPS 4-2-57	1987/-	408/-	Rp 1 ½
SUPS 4-2-62	2108/-	408/-	Rp 1 ½
SUPS 4-3-4	537/537	237/237	Rp 1 ½
SUPS 4-3-6	568/600	237/251	Rp 1 ½
SUPS 4-3-9	672/697	251/276	Rp 1 ½
SUPS 4-3-12	764/790	271/297	Rp 1 ½
SUPS 4-3-15	863/887	297/321	Rp 1 ½
SUPS 4-3-18	935/959	297/321	Rp 1 ½
SUPS 4-3-22	1056/1088	321/353	Rp 1 ½
SUPS 4-3-25	112 /1160	321/353	Rp 1 ½
SUPS 4-3-31	1305/1403	353/451	Rp 1 ½
SUPS 4-3-37	1449/1547	353/451	Rp 1 ½
SUPS 4-3-44	1673/-	408/-	Rp 1 ½
SUPS 4-3-51	1842/-	408/-	Rp 1 ½
SUPS 4-3-57	2099/-	520/-	Rp 1 ½
SUPS 4-3-62	2219/-	520/-	Rp 1 ½
SUPS 4-3-67	2363/-	543/-	Rp 1 ½
SUPS 4-5-3	513/513	237/237	Rp 1 ½
SUPS 4-5-4	537/551	237/251	Rp 1 ½
SUPS 4-5-6	600/625	251/276	Rp 1 ½
SUPS 4-5-9	692/718	271/297	Rp 1 ½
SUPS 4-5-13	815/839	297/321	Rp 1 ½
SUPS 4-5-18	959/991	321/353	Rp 1 ½
SUPS 4-5-23	1112/1210	353/451	Rp 1 ½
SUPS 4-5-27	1208/1306	353/451	Rp 1 ½
SUPS 4-5-32	1384/-	408/-	Rp 1 ½
SUPS 4-5-37	1504/-	408/-	Rp 1 ½
SUPS 4-5-42	1737/-	520/-	Rp 1 ½
SUPS 4-5-45	1809/-	520/-	Rp 1 ½
SUPS 4-5-49	1929/-	543/-	Rp 1 ½
SUPS 4-5-53	2135/-	652/-	Rp 1 ½
SUPS 4-5-57	2232/-	652/-	Rp 1 ½
SUPS 4-5-62	2352/-	652/-	Rp 1 ½
SUPS 4-5-67	2473/-	652/-	Rp 1 ½

Type	A 3~/1~	B 3~/1~	C
SUPS 4-8-2	489/489	237/237	Rp 2
SUPS 4-8-3	513/527	237/251	Rp 2
SUPS 4-8-4	551/576	251/276	Rp 2
SUPS 4-8-6	620/646	271/297	Rp 2
SUPS 4-8-9	718/742	297/321	Rp 2
SUPS 4-8-12	814/846	321/353	Rp 2
SUPS 4-8-15	919/1017	353/451	Rp 2
SUPS 4-8-18	991/1089	353/451	Rp 2
SUPS 4-8-22	1143/-	408/-	Rp 2
SUPS 4-8-25	1215/-	408/-	Rp 2
SUPS 4-8-28	1399/-	520/-	Rp 2
SUPS 4-8-31	1472/-	520/-	Rp 2
SUPS 4-8-34	1567/-	543/-	Rp 2
SUPS 4-8-38	1774/-	652/-	Rp 2
SUPS 4-8-42	1870/-	652/-	Rp 2
SUPS 4-8-46	1967/-	652/-	Rp 2
SUPS 4-8-52	2189/-	730/-	Rp 2
SUPS 4-8-57	2340/-	730/-	Rp 2
SUPS 4-8-62	2340/-	730/-	Rp 2
SUPS 4-14-2	567/-	226/-	Rp 2
SUPS 4-14-4	773/-	282/-	Rp 2
SUPS 4-14-6	948/-	307/-	Rp 2
SUPS 4-14-8	1130/-	339/-	Rp 2
SUPS 4-14-11	1410/-	394/-	Rp 2
SUPS 4-14-13	1560/-	394/-	Rp 2
SUPS 4-14-15	1836/-	520/-	Rp 2
SUPS 4-14-17	2009/-	543/-	Rp 2
SUPS 4-14-20	2344/-	653/-	Rp 2
SUPS 4-14-23	2569/-	653/-	Rp 2
SUPS 4-14-27	2947/-	731/-	Rp 2
SUPS 4-14-30	3172/-	731/-	Rp 2

# SUPS 6



## Submersible pumps

### Field of application

- > Water supply
- > Irrigation
- > Fountain systems
- > Rainwater utilisation
- > Groundwater reduction

### Design

Pump complete with 4" three phase motor, direct start, 3~ 400 V, 50 Hz, 2800 rpm, up to 4.00 kW  
Pump complete with 6" three-phase motor, direct or star-delta start, 3~ 400 V, 50 Hz, 2800 rpm, from 5.50 kW  
All pumps include spring-loaded non-return valve.

### Motor

Protection class: ..... IP 68  
Class of insulation: ..... B  
Voltage: ..... 3~ 400 V  $\pm$  10 %  
Start type: ..... Direct start or star-delta start  
Motor speed: ..... 2800 rpm  
Frequency: ..... 50 Hz

### Special editions

- > Special material AISI 316
- > Higher fluid temperatures

### Technical data

Flow rate: ..... Q up to max. 80 m<sup>3</sup>/h  
Total dynamic head: ..... H up to max. 340 mWs  
Fluid temperature: ..... t up to max. 30 °C  
Sand content: ..... up to max. 150 g/m<sup>3</sup>

### Pumped fluid

Pure, cold water.

### Materials used

Lantern with inlet housing: ..... stainless steel AISI CF8M  
Stages/impellers: ..... stainless steel AISI 304  
Shaft: ..... stainless steel AISI 431  
Coupling: ..... stainless steel AISI CF8  
Wear ring: ..... stainless steel AISI 316 L  
Bearings/intermediate bearings: ..... NBR  
Strainer: ..... stainless steel AISI 304

### Type key

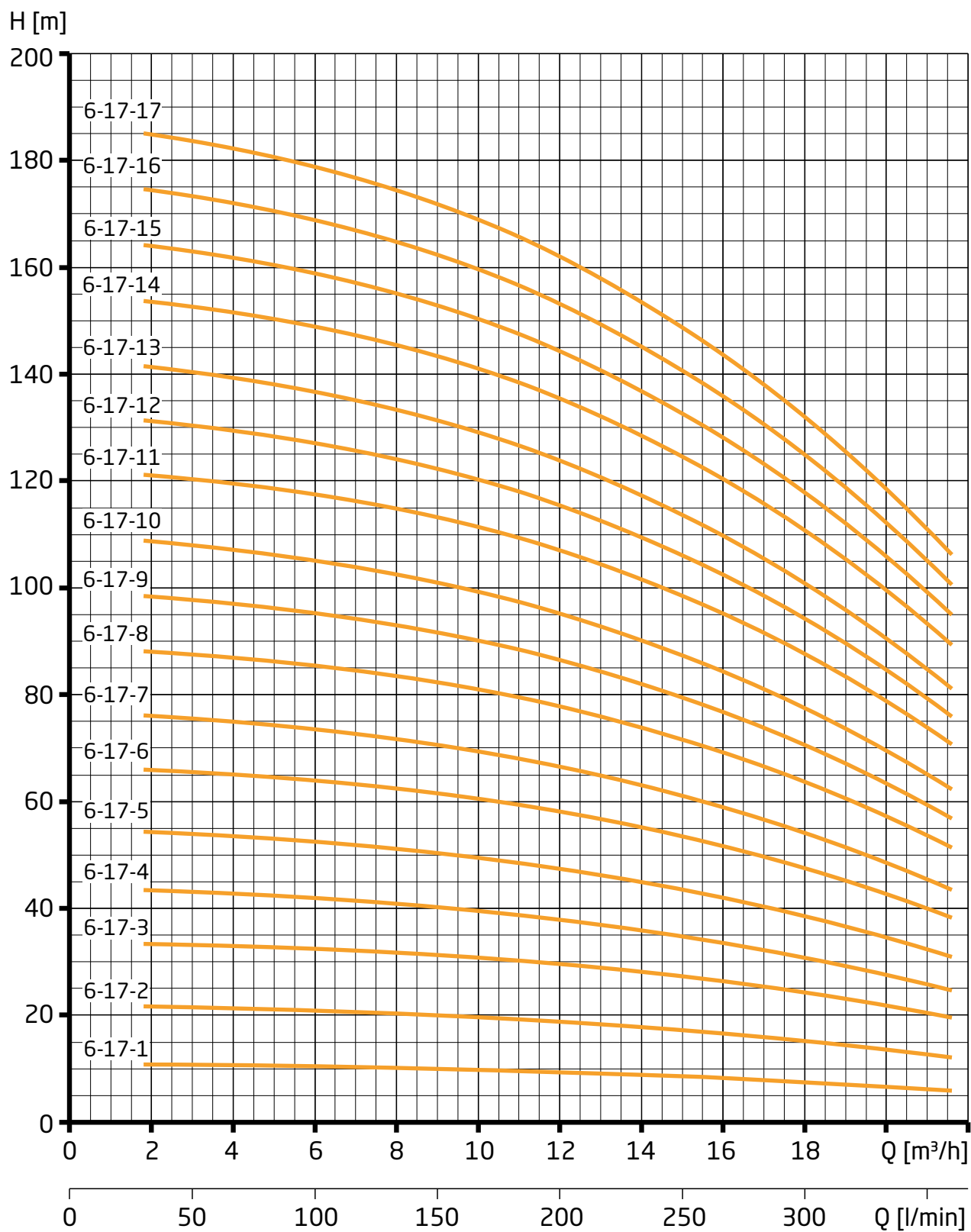
#### SUPS 6-17-10

SUP: ..... SPECK borehole pump  
S: ..... stainless steel design  
6: ..... pump type 6"  
17: ..... pump size  
10: ..... number of stages

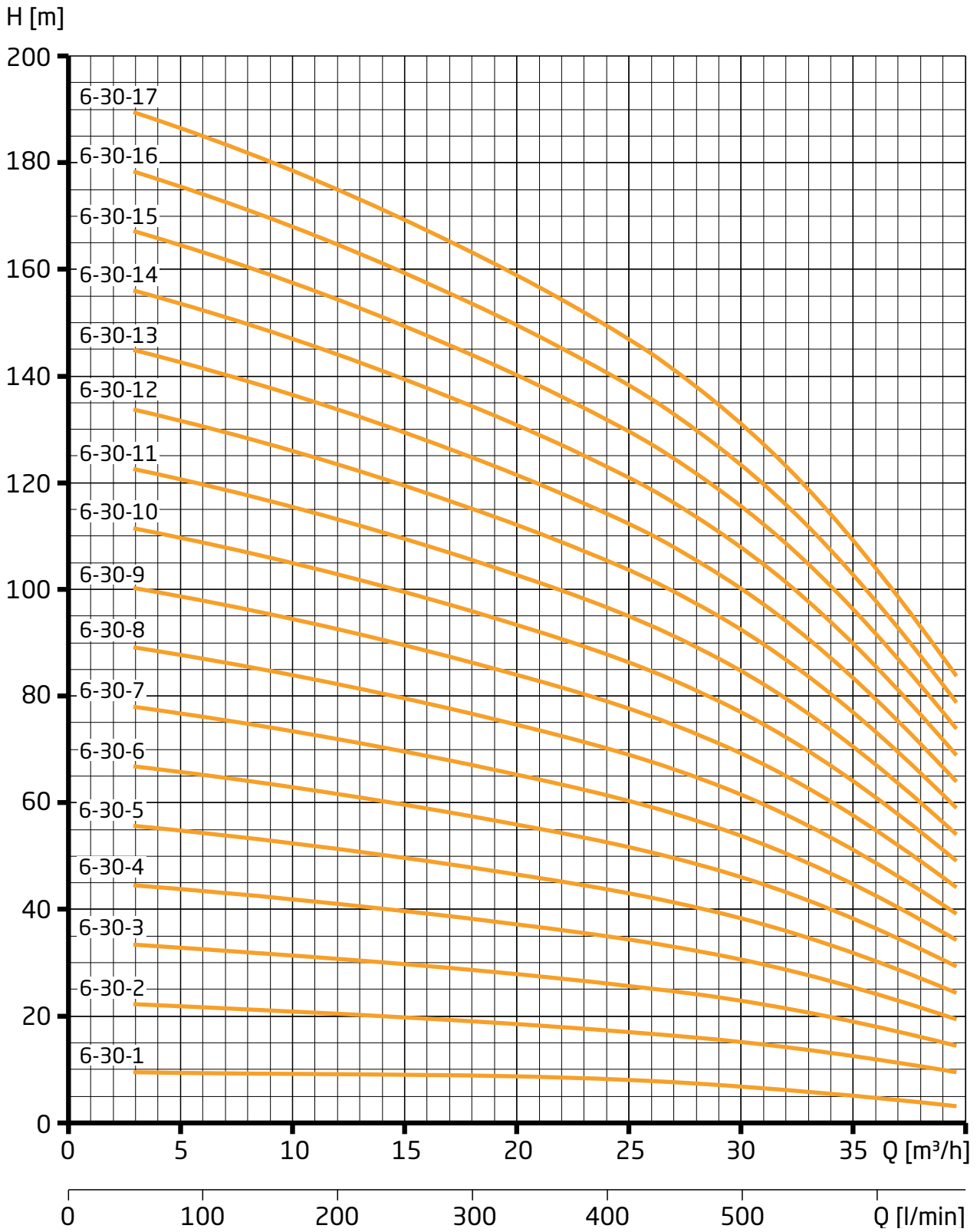




## Characteristics



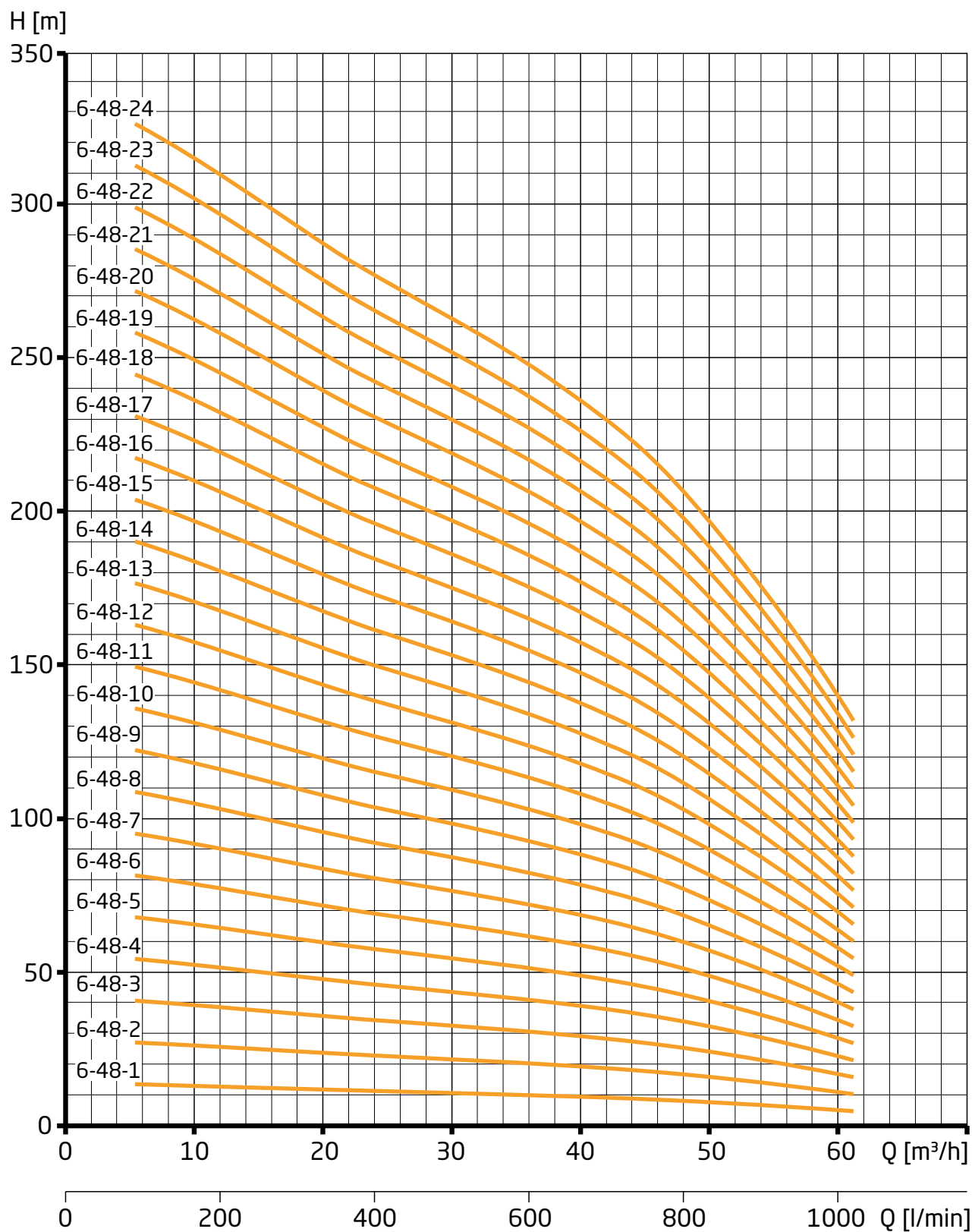
Characteristics



Water extraction

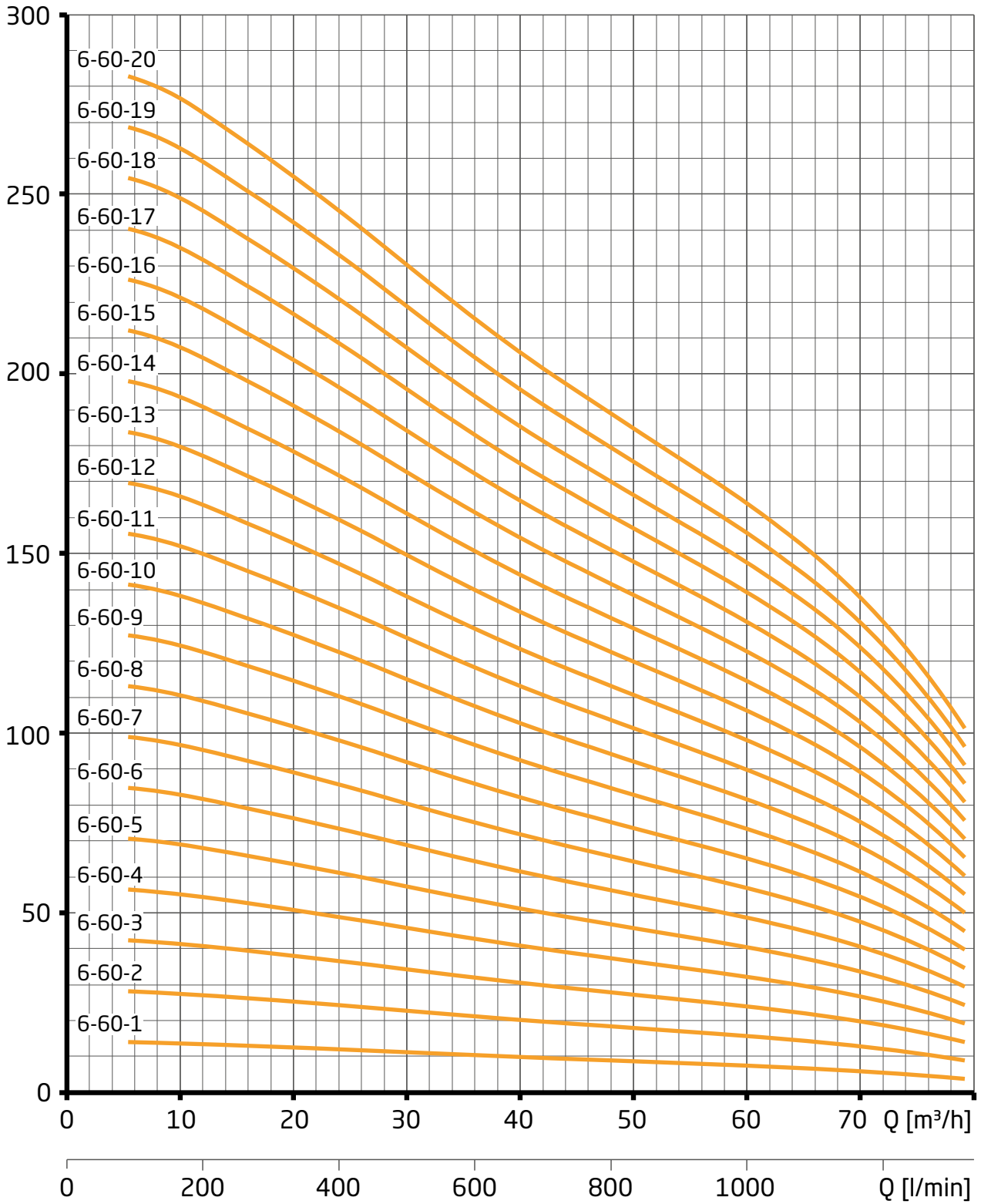


### Characteristics



Characteristics

H [m]



Water extraction



## Technical data

Typ	Pipe connection (Rp)	Power output P <sub>z</sub> (kW)	Motor Ø	Rated current (A) 3 x 400 V	Weight (kg)
SUPS 6-17-1	2 ½	0.55	4"	1.60	15.00
SUPS 6-17-2	2 ½	1.10	4"	2.80	19.00
SUPS 6-17-3	2 ½	2.20	4"	5.50	23.00
SUPS 6-17-4	2 ½	2.20	4"	5.50	24.00
SUPS 6-17-5	2 ½	3.00	4"	7.50	28.00
SUPS 6-17-6	2 ½	4.00	4"	9.90	38.00
SUPS 6-17-7	2 ½	4.00	4"	9.90	39.00
SUPS 6-17-8	2 ½	5.50	6"	12.50	66.00
SUPS 6-17-9	2 ½	5.50	6"	12.50	67.00
SUPS 6-17-10	2 ½	5.50	6"	12.50	68.00
SUPS 6-17-11	2 ½	7.50	6"	16.00	72.00
SUPS 6-17-12	2 ½	7.50	6"	16.00	73.00
SUPS 6-17-13	2 ½	7.50	6"	16.00	74.00
SUPS 6-17-14	2 ½	9.30	6"	20.70	79.00
SUPS 6-17-15	2 ½	9.30	6"	20.70	80.00
SUPS 6-17-16	2 ½	9.30	6"	20.70	82.00
SUPS 6-17-17	2 ½	9.30	6"	20.70	83.00
SUPS 6-30-1	3	1.10	4"	2.80	18.00
SUPS 6-30-2	3	2.20	4"	5.50	22.00
SUPS 6-30-3	3	3.00	4"	7.50	27.00
SUPS 6-30-4	3	4.00	4"	9.90	36.00
SUPS 6-30-5	3	5.50	6"	12.50	63.00
SUPS 6-30-6	3	5.50	6"	12.50	64.00
SUPS 6-30-7	3	7.50	6"	16.00	68.00
SUPS 6-30-8	3	7.50	6"	16.00	70.00
SUPS 6-30-9	3	9.30	6"	20.70	74.00
SUPS 6-30-10	3	9.30	6"	20.70	76.00
SUPS 6-30-11	3	9.30	6"	20.70	77.00
SUPS 6-30-12	3	11.00	6"	23.30	82.00
SUPS 6-30-13	3	11.00	6"	23.30	84.00
SUPS 6-30-14	3	15.00	6"	31.30	90.00
SUPS 6-30-15	3	15.00	6"	31.30	92.00
SUPS 6-30-16	3	15.00	6"	31.30	98.00
SUPS 6-30-17	3	15.00	6"	31.30	100.00

## Technical data

Type	Pipe connection (Rp)	Power output $P_2$ (kW)	Motor $\emptyset$	Rated current (A) 3 x 400 V	Weight (kg)
SUPS 6-48-1	3	2.20	4"	5.50	23.00
SUPS 6-48-2	3	3.00	4"	7.50	28.00
SUPS 6-48-3	3	5.50	6"	12.50	63.00
SUPS 6-48-4	3	7.50	6"	16.00	68.00
SUPS 6-48-5	3	7.50	6"	16.00	70.00
SUPS 6-48-6	3	9.30	6"	20.70	75.00
SUPS 6-48-7	3	11.00	6"	23.30	80.00
SUPS 6-48-8	3	15.00	6"	31.30	88.00
SUPS 6-48-9	3	15.00	6"	31.30	95.00
SUPS 6-48-10	3	15.00	6"	31.30	97.00
SUPS 6-48-11	3	18.50	6"	38.50	103.00
SUPS 6-48-12	3	18.50	6"	38.50	106.00
SUPS 6-48-13	3	22.00	6"	45.30	117.00
SUPS 6-48-14	3	22.00	6"	45.30	119.00
SUPS 6-48-15	3	22.00	6"	45.30	122.00
SUPS 6-48-16	3	30.00	6"	63.50	135.00
SUPS 6-48-17	3	30.00	6"	63.50	137.00
SUPS 6-48-18	3	30.00	6"	63.50	149.00
SUPS 6-48-19	3	30.00	6"	63.50	152.00
SUPS 6-48-20	3	30.00	6"	63.50	154.00
SUPS 6-48-21	3	37.00	6"	77.90	163.00
SUPS 6-48-22	3	37.00	6"	77.90	165.00
SUPS 6-48-23	3	37.00	6"	77.90	168.00
SUPS 6-48-24	3	37.00	6"	77.90	170.00
SUPS 6-60-1	3	2.20	4"	5.50	23.00
SUPS 6-60-2	3	4.00	4"	9.90	36.00
SUPS 6-60-3	3	5.50	6"	12.50	63.00
SUPS 6-60-4	3	7.50	6"	16.00	67.00
SUPS 6-60-5	3	9.30	6"	20.70	73.00
SUPS 6-60-6	3	11.00	6"	23.30	78.00
SUPS 6-60-7	3	15.00	6"	31.30	85.00
SUPS 6-60-8	3	15.00	6"	31.30	93.00
SUPS 6-60-9	3	18.50	6"	38.50	99.00
SUPS 6-60-10	3	18.50	6"	38.50	101.00
SUPS 6-60-11	3	22.00	6"	45.30	112.00
SUPS 6-60-12	3	22.00	6"	45.30	115.00
SUPS 6-60-13	3	30.00	6"	63.50	128.00
SUPS 6-60-14	3	30.00	6"	63.50	130.00
SUPS 6-60-15	3	30.00	6"	63.50	132.00
SUPS 6-60-16	3	30.00	6"	63.50	145.00
SUPS 6-60-17	3	30.00	6"	63.50	147.00
SUPS 6-60-18	3	37.00	6"	77.90	156.00
SUPS 6-60-19	3	37.00	6"	77.90	158.00
SUPS 6-60-20	3	37.00	6"	77.90	161.00



### Order information

Type	Motor Ø	Direct start DOL article no.	Net RRP	Gross RRP
SUPS 6-17-1	4"	517.1617.017	1,813.78 €	2,158.40 €
SUPS 6-17-2	4"	517.1617.027	2,035.37 €	2,422.09 €
SUPS 6-17-3	4"	517.1617.037	2,313.15 €	2,752.65 €
SUPS 6-17-4	4"	517.1617.047	2,460.18 €	2,927.61 €
SUPS 6-17-5	4"	517.1617.057	2,761.74 €	3,286.47 €
SUPS 6-17-6	4"	517.1617.067	3,097.90 €	3,686.50 €
SUPS 6-17-7	4"	517.1617.077	3,221.14 €	3,833.16 €
SUPS 6-17-8	6"	517.1617.087	4,374.46 €	5,205.61 €
SUPS 6-17-9	6"	517.1617.097	4,500.95 €	5,356.13 €
SUPS 6-17-10	6"	517.1617.107	4,700.90 €	5,594.07 €
SUPS 6-17-11	6"	517.1617.117	5,357.04 €	6,374.88 €
SUPS 6-17-12	6"	517.1617.127	5,525.65 €	6,575.52 €
SUPS 6-17-13	6"	517.1617.137	5,868.29 €	6,983.27 €
SUPS 6-17-14	6"	517.1617.147	6,517.94 €	7,756.35 €
SUPS 6-17-15	6"	517.1617.157	6,684.39 €	7,954.42 €
SUPS 6-17-16	6"	517.1617.167	6,858.41 €	8,161.51 €
SUPS 6-17-17	6"	517.1617.177	7,032.45 €	8,368.62 €
SUPS 6-30-1	4"	517.1630.017	2,154.28 €	2,563.59 €
SUPS 6-30-2	4"	517.1630.027	2,394.22 €	2,849.12 €
SUPS 6-30-3	4"	517.1630.037	2,569.34 €	3,057.51 €
SUPS 6-30-4	4"	517.1630.047	2,967.11 €	3,530.86 €
SUPS 6-30-5	6"	517.1630.057	4,171.26 €	4,963.80 €
SUPS 6-30-6	6"	517.1630.067	4,250.16 €	5,057.69 €
SUPS 6-30-7	6"	517.1630.077	4,472.83 €	5,322.67 €
SUPS 6-30-8	6"	517.1630.087	4,709.55 €	5,604.36 €
SUPS 6-30-9	6"	517.1630.097	5,137.61 €	6,113.76 €
SUPS 6-30-10	6"	517.1630.107	5,372.15 €	6,392.86 €
SUPS 6-30-11	6"	517.1630.117	5,602.39 €	6,666.84 €
SUPS 6-30-12	6"	517.1630.127	6,168.80 €	7,340.87 €
SUPS 6-30-13	6"	517.1630.137	6,431.45 €	7,653.43 €
SUPS 6-30-14	6"	517.1630.147	7,701.53 €	9,164.82 €
SUPS 6-30-15	6"	517.1630.157	7,968.52 €	9,482.54 €
SUPS 6-30-16	6"	517.1630.167	8,233.34 €	9,797.67 €
SUPS 6-30-17	6"	517.1630.177	8,498.16 €	10,112.81 €

Type	Motor Ø	Star-delta start Y/Δ article no.	Net RRP	Gross RRP
SUPS 6-17-1	4"	-		
SUPS 6-17-2	4"	-		
SUPS 6-17-3	4"	-		
SUPS 6-17-4	4"	-		
SUPS 6-17-5	4"	-		
SUPS 6-17-6	4"	-		
SUPS 6-17-7	4"	-		
SUPS 6-17-8	6"	517.1617.089	4,374.46 €	5,205.61 €
SUPS 6-17-9	6"	517.1617.099	4,500.95 €	5,356.13 €
SUPS 6-17-10	6"	517.1617.109	4,700.90 €	5,594.07 €
SUPS 6-17-11	6"	517.1617.119	5,357.04 €	6,374.88 €
SUPS 6-17-12	6"	517.1617.129	5,525.65 €	6,575.52 €
SUPS 6-17-13	6"	517.1617.139	5,868.29 €	6,983.27 €
SUPS 6-17-14	6"	517.1617.149	6,517.94 €	7,756.35 €
SUPS 6-17-15	6"	517.1617.159	6,684.39 €	7,954.42 €
SUPS 6-17-16	6"	517.1617.169	6,858.41 €	8,161.51 €
SUPS 6-17-17	6"	517.1617.179	7,032.45 €	8,368.62 €
SUPS 6-30-1	4"	-		
SUPS 6-30-2	4"	-		
SUPS 6-30-3	4"	-		
SUPS 6-30-4	4"	-		
SUPS 6-30-5	6"	517.1630.059	4,171.26 €	4,963.80 €
SUPS 6-30-6	6"	517.1630.069	4,250.16 €	5,057.69 €
SUPS 6-30-7	6"	517.1630.079	4,472.83 €	5,322.67 €
SUPS 6-30-8	6"	517.1630.089	4,709.55 €	5,604.36 €
SUPS 6-30-9	6"	517.1630.099	5,137.61 €	6,113.76 €
SUPS 6-30-10	6"	517.1630.109	5,372.15 €	6,392.86 €
SUPS 6-30-11	6"	517.1630.119	5,602.39 €	6,666.84 €
SUPS 6-30-12	6"	517.1630.129	6,168.80 €	7,340.87 €
SUPS 6-30-13	6"	517.1630.139	6,431.45 €	7,653.43 €
SUPS 6-30-14	6"	517.1630.149	7,701.53 €	9,164.82 €
SUPS 6-30-15	6"	517.1630.159	7,968.52 €	9,482.54 €
SUPS 6-30-16	6"	517.1630.169	8,233.34 €	9,797.67 €
SUPS 6-30-17	6"	517.1630.179	8,498.16 €	10,112.81 €

## Order information

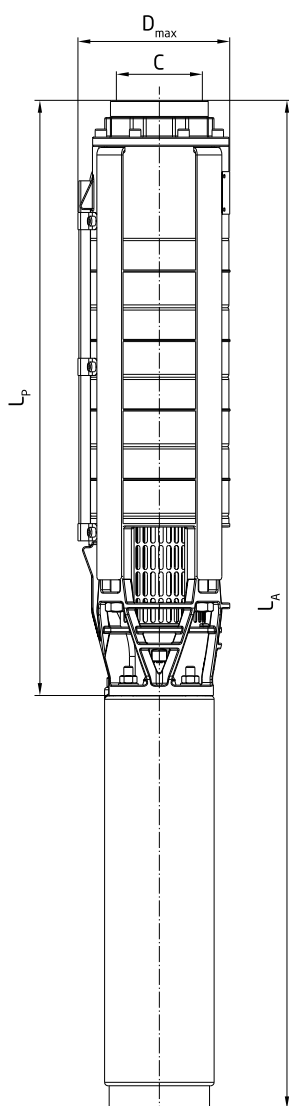
Type	Motor Ø	Direct start DOL article no.	Net RRP	Gross RRP
SUPS 6-48-1	4"	517.1648.017	<b>2,356.40 €</b>	2,804.12 €
SUPS 6-48-2	4"	517.1648.027	<b>2,708.78 €</b>	3,223.45 €
SUPS 6-48-3	6"	517.1648.037	<b>4,292.31 €</b>	5,107.85 €
SUPS 6-48-4	6"	517.1648.047	<b>4,549.57 €</b>	5,413.99 €
SUPS 6-48-5	6"	517.1648.057	<b>4,736.57 €</b>	5,636.52 €
SUPS 6-48-6	6"	517.1648.067	<b>5,137.61 €</b>	6,113.76 €
SUPS 6-48-7	6"	517.1648.077	<b>5,394.87 €</b>	6,419.90 €
SUPS 6-48-8	6"	517.1648.087	<b>6,472.52 €</b>	7,702.30 €
SUPS 6-48-9	6"	517.1648.097	<b>6,575.21 €</b>	7,824.50 €
SUPS 6-48-10	6"	517.1648.107	<b>7,015.15 €</b>	8,348.03 €
SUPS 6-48-11	6"	517.1648.117	<b>8,779.20 €</b>	10,447.25 €
SUPS 6-48-12	6"	517.1648.127	<b>9,273.19 €</b>	11,035.10 €
SUPS 6-48-13	6"	517.1648.137	<b>10,323.83 €</b>	12,285.36 €
SUPS 6-48-14	6"	517.1648.147	<b>10,809.15 €</b>	12,862.89 €
SUPS 6-48-15	6"	517.1648.157	<b>11,304.23 €</b>	13,452.03 €
SUPS 6-48-16	6"	517.1648.167	<b>12,418.65 €</b>	14,778.19 €
SUPS 6-48-17	6"	517.1648.177	<b>13,093.15 €</b>	15,580.85 €
SUPS 6-48-18	6"	517.1648.187	<b>13,649.81 €</b>	16,243.27 €
SUPS 6-48-19	6"	517.1648.197	<b>14,414.02 €</b>	17,152.68 €
SUPS 6-48-20	6"	517.1648.207	<b>14,897.18 €</b>	17,727.64 €
SUPS 6-48-21	6"	517.1648.217	<b>15,661.40 €</b>	18,637.07 €
SUPS 6-48-22	6"	517.1648.227	<b>16,114.30 €</b>	19,176.02 €
SUPS 6-48-23	6"	517.1648.237	<b>16,566.13 €</b>	19,713.69 €
SUPS 6-48-24	6"	517.1648.247	<b>17,012.55 €</b>	20,244.93 €
SUPS 6-60-1	4"	517.1660.017	<b>2,453.68 €</b>	2,919.88 €
SUPS 6-60-2	4"	517.1660.027	<b>2,874.16 €</b>	3,420.25 €
SUPS 6-60-3	6"	517.1660.037	<b>3,964.81 €</b>	4,718.12 €
SUPS 6-60-4	6"	517.1660.047	<b>4,850.08 €</b>	5,771.60 €
SUPS 6-60-5	6"	517.1660.057	<b>5,126.77 €</b>	6,100.86 €
SUPS 6-60-6	6"	517.1660.067	<b>5,227.32 €</b>	6,220.51 €
SUPS 6-60-7	6"	517.1660.077	<b>5,598.06 €</b>	6,661.69 €
SUPS 6-60-8	6"	517.1660.087	<b>6,186.09 €</b>	7,361.45 €
SUPS 6-60-9	6"	517.1660.097	<b>6,725.47 €</b>	8,003.31 €
SUPS 6-60-10	6"	517.1660.107	<b>7,097.30 €</b>	8,445.79 €
SUPS 6-60-11	6"	517.1660.117	<b>8,613.83 €</b>	10,250.46 €
SUPS 6-60-12	6"	517.1660.127	<b>9,356.40 €</b>	11,134.12 €
SUPS 6-60-13	6"	517.1660.137	<b>10,328.17 €</b>	12,290.52 €
SUPS 6-60-14	6"	517.1660.147	<b>10,856.73 €</b>	12,919.51 €
SUPS 6-60-15	6"	517.1660.157	<b>11,239.38 €</b>	13,374.86 €
SUPS 6-60-16	6"	517.1660.167	<b>11,705.25 €</b>	13,929.25 €
SUPS 6-60-17	6"	517.1660.177	<b>12,096.54 €</b>	14,394.88 €
SUPS 6-60-18	6"	517.1660.187	<b>13,680.07 €</b>	16,279.28 €
SUPS 6-60-19	6"	517.1660.197	<b>14,068.12 €</b>	16,741.06 €
SUPS 6-60-20	6"	517.1660.207	<b>14,454.01 €</b>	17,200.27 €

Type	Motor Ø	Star-delta start Y/Δ article no.	Net RRP	Gross RRP
SUPS 6-48-1	4"	-		
SUPS 6-48-2	4"	-		
SUPS 6-48-3	6"	517.1648.039	<b>4,292.31 €</b>	5,107.85 €
SUPS 6-48-4	6"	517.1648.049	<b>4,549.57 €</b>	5,413.99 €
SUPS 6-48-5	6"	517.1648.059	<b>4,736.57 €</b>	5,636.52 €
SUPS 6-48-6	6"	517.1648.069	<b>5,137.61 €</b>	6,113.76 €
SUPS 6-48-7	6"	517.1648.079	<b>5,394.87 €</b>	6,419.90 €
SUPS 6-48-8	6"	517.1648.089	<b>6,472.52 €</b>	7,702.30 €
SUPS 6-48-9	6"	517.1648.099	<b>6,575.21 €</b>	7,824.50 €
SUPS 6-48-10	6"	517.1648.109	<b>7,015.15 €</b>	8,348.03 €
SUPS 6-48-11	6"	517.1648.119	<b>8,779.20 €</b>	10,447.25 €
SUPS 6-48-12	6"	517.1648.129	<b>9,273.19 €</b>	11,035.10 €
SUPS 6-48-13	6"	517.1648.139	<b>10,323.83 €</b>	12,285.36 €
SUPS 6-48-14	6"	517.1648.149	<b>10,809.15 €</b>	12,862.89 €
SUPS 6-48-15	6"	517.1648.159	<b>11,304.23 €</b>	13,452.03 €
SUPS 6-48-16	6"	517.1648.169	<b>12,418.65 €</b>	14,778.19 €
SUPS 6-48-17	6"	517.1648.179	<b>13,093.15 €</b>	15,580.85 €
SUPS 6-48-18	6"	517.1648.189	<b>13,649.81 €</b>	16,243.27 €
SUPS 6-48-19	6"	517.1648.199	<b>14,414.02 €</b>	17,152.68 €
SUPS 6-48-20	6"	517.1648.209	<b>14,897.18 €</b>	17,727.64 €
SUPS 6-48-21	6"	517.1648.219	<b>15,661.40 €</b>	18,637.07 €
SUPS 6-48-22	6"	517.1648.229	<b>16,114.30 €</b>	19,176.02 €
SUPS 6-48-23	6"	517.1648.239	<b>16,566.13 €</b>	19,713.69 €
SUPS 6-48-24	6"	517.1648.249	<b>17,012.55 €</b>	20,244.93 €
SUPS 6-60-1	4"	-		
SUPS 6-60-2	4"	-		
SUPS 6-60-3	6"	517.1660.039	<b>3,964.81 €</b>	4,718.12 €
SUPS 6-60-4	6"	517.1660.049	<b>4,850.08 €</b>	5,771.60 €
SUPS 6-60-5	6"	517.1660.059	<b>5,126.77 €</b>	6,100.86 €
SUPS 6-60-6	6"	517.1660.069	<b>5,227.32 €</b>	6,220.51 €
SUPS 6-60-7	6"	517.1660.079	<b>5,598.06 €</b>	6,661.69 €
SUPS 6-60-8	6"	517.1660.089	<b>6,186.09 €</b>	7,361.45 €
SUPS 6-60-9	6"	517.1660.099	<b>6,725.47 €</b>	8,003.31 €
SUPS 6-60-10	6"	517.1660.109	<b>7,097.30 €</b>	8,445.79 €
SUPS 6-60-11	6"	517.1660.119	<b>8,613.83 €</b>	10,250.46 €
SUPS 6-60-12	6"	517.1660.129	<b>9,356.40 €</b>	11,134.12 €
SUPS 6-60-13	6"	517.1660.139	<b>10,328.17 €</b>	12,290.52 €
SUPS 6-60-14	6"	517.1660.149	<b>10,856.73 €</b>	12,919.51 €
SUPS 6-60-15	6"	517.1660.159	<b>11,239.38 €</b>	13,374.86 €
SUPS 6-60-16	6"	517.1660.169	<b>11,705.25 €</b>	13,929.25 €
SUPS 6-60-17	6"	517.1660.179	<b>12,096.54 €</b>	14,394.88 €
SUPS 6-60-18	6"	517.1660.189	<b>13,680.07 €</b>	16,279.28 €
SUPS 6-60-19	6"	517.1660.199	<b>14,068.12 €</b>	16,741.06 €
SUPS 6-60-20	6"	517.1660.209	<b>14,454.01 €</b>	17,200.27 €





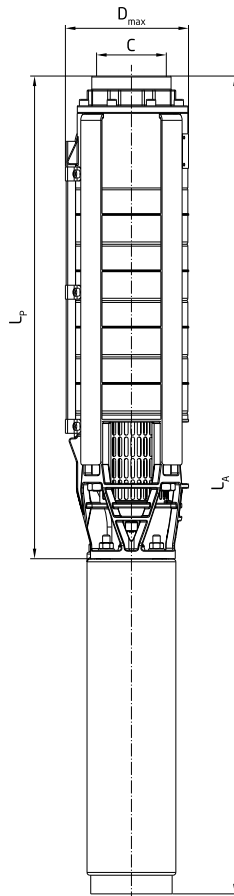
## Dimensions



Type	Motor Ø	L <sub>A</sub>	L <sub>P</sub>	D <sub>max</sub>	C
SUPS 6-17-1	4"	579	337	139	Rp 2 ½
SUPS 6-17-2	4"	696	397	139	Rp 2 ½
SUPS 6-17-3	4"	814	458	139	Rp 2 ½
SUPS 6-17-4	4"	874	518	139	Rp 2 ½
SUPS 6-17-5	4"	1002	579	139	Rp 2 ½
SUPS 6-17-6	4"	1222	639	139	Rp 2 ½
SUPS 6-17-7	4"	1283	700	139	Rp 2 ½
SUPS 6-17-8	6"	1491	792	142	Rp 2 ½
SUPS 6-17-9	6"	1551	852	142	Rp 2 ½
SUPS 6-17-10	6"	1612	913	142	Rp 2 ½
SUPS 6-17-11	6"	1692	973	142	Rp 2 ½
SUPS 6-17-12	6"	1753	1034	142	Rp 2 ½
SUPS 6-17-13	6"	1813	1094	142	Rp 2 ½
SUPS 6-17-14	6"	1904	1155	142	Rp 2 ½
SUPS 6-17-15	6"	1964	1215	142	Rp 2 ½
SUPS 6-17-16	6"	2025	1276	142	Rp 2 ½
SUPS 6-17-17	6"	2085	1336	142	Rp 2 ½

Type	Motor Ø	L <sub>A</sub>	L <sub>P</sub>	D <sub>max</sub>	C
SUPS 6-30-1	4"	688	389	139	Rp 3
SUPS 6-30-2	4"	841	485	139	Rp 3
SUPS 6-30-3	4"	1004	581	139	Rp 3
SUPS 6-30-4	4"	1260	677	139	Rp 3
SUPS 6-30-5	6"	1504	805	142	Rp 3
SUPS 6-30-6	6"	1600	901	142	Rp 3
SUPS 6-30-7	6"	1716	997	142	Rp 3
SUPS 6-30-8	6"	1812	1093	142	Rp 3
SUPS 6-30-9	6"	1938	1189	142	Rp 3
SUPS 6-30-10	6"	2034	1285	142	Rp 3
SUPS 6-30-11	6"	2130	1381	142	Rp 3
SUPS 6-30-12	6"	2256	1477	142	Rp 3
SUPS 6-30-13	6"	2352	1573	142	Rp 3
SUPS 6-30-14	6"	2498	1669	142	Rp 3
SUPS 6-30-15	6"	2594	1765	142	Rp 3
SUPS 6-30-16	6"	2735	1861	142	Rp 3
SUPS 6-30-17	6"	2831	1957	142	Rp 3

## Dimensions

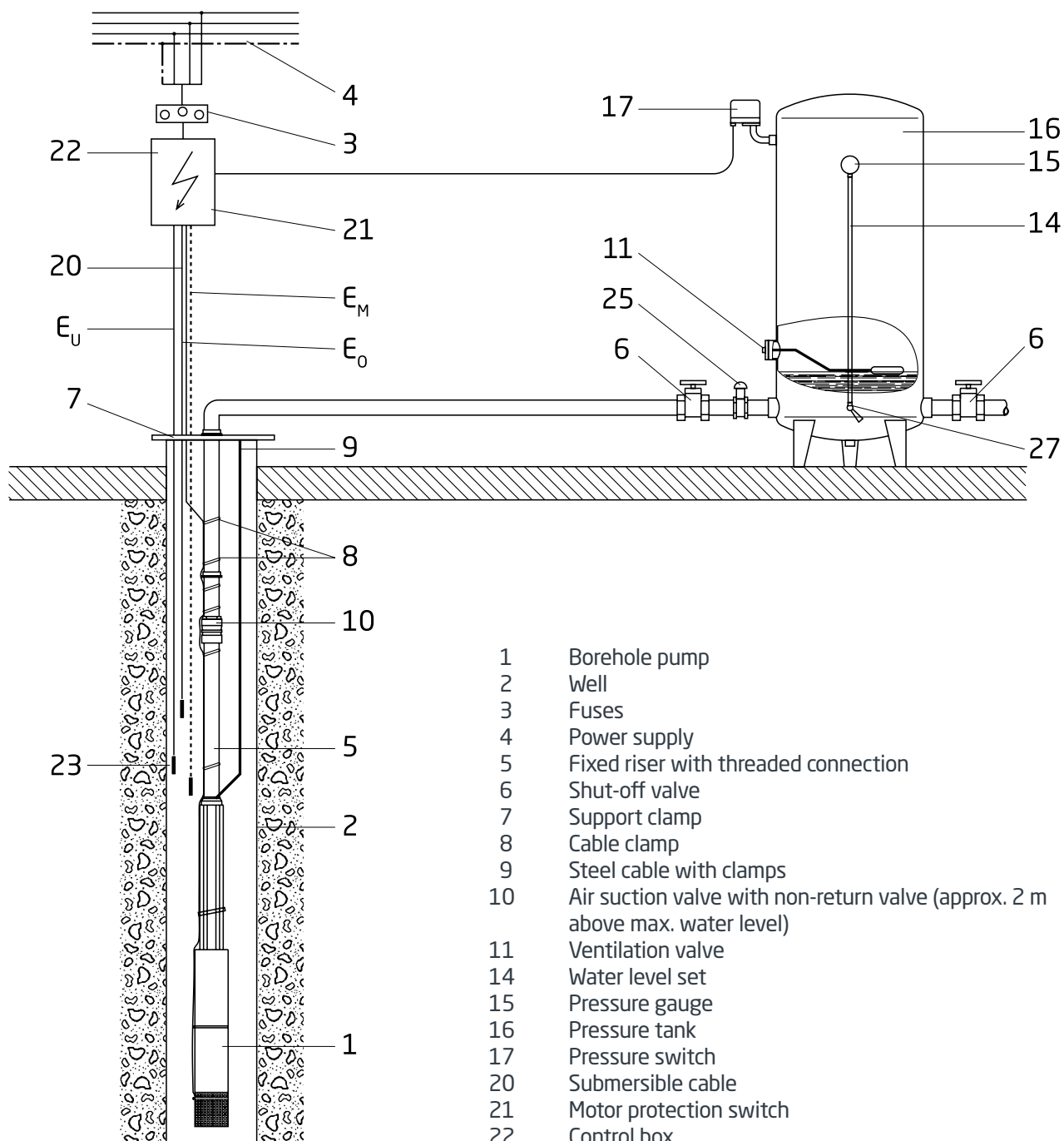


Type	Motor Ø	$L_A$	$L_p$	$D_{max}$	C
SUPS 6-48-1	4"	807	451	150	Rp 3
SUPS 6-48-2	4"	987	564	150	Rp 3
SUPS 6-48-3	6"	1407	708	150	Rp 3
SUPS 6-48-4	6"	1540	821	150	Rp 3
SUPS 6-48-5	6"	1653	934	150	Rp 3
SUPS 6-48-6	6"	1796	1047	150	Rp 3
SUPS 6-48-7	6"	1939	1160	150	Rp 3
SUPS 6-48-8	6"	2102	1273	150	Rp 3
SUPS 6-48-9	6"	2260	1386	150	Rp 3
SUPS 6-48-10	6"	2373	1499	150	Rp 3
SUPS 6-48-11	6"	2531	1612	150	Rp 3
SUPS 6-48-12	6"	2644	1725	150	Rp 3
SUPS 6-48-13	6"	2847	1838	150	Rp 3
SUPS 6-48-14	6"	2960	1951	150	Rp 3
SUPS 6-48-15	6"	3073	2064	150	Rp 3
SUPS 6-48-16	6"	3291	2177	150	Rp 3
SUPS 6-48-17	6"	3404	2290	150	Rp 3
SUPS 6-48-18	6"	3617	2403	150	Rp 3
SUPS 6-48-19	6"	3730	2516	150	Rp 3
SUPS 6-48-20	6"	3843	2629	150	Rp 3
SUPS 6-48-21	6"	4036	2742	150	Rp 3
SUPS 6-48-22	6"	4149	2855	150	Rp 3
SUPS 6-48-23	6"	4262	2968	150	Rp 3
SUPS 6-48-24	6"	4375	3081	150	Rp 3

Type	Motor Ø	$L_A$	$L_p$	$D_{max}$	C
SUPS 6-60-1	4"	807	451	150	Rp 3
SUPS 6-60-2	4"	1147	564	150	Rp 3
SUPS 6-60-3	6"	1407	708	150	Rp 3
SUPS 6-60-4	6"	1540	821	150	Rp 3
SUPS 6-60-5	6"	1683	934	150	Rp 3
SUPS 6-60-6	6"	1826	1047	150	Rp 3
SUPS 6-60-7	6"	1989	1160	150	Rp 3
SUPS 6-60-8	6"	2147	1273	150	Rp 3
SUPS 6-60-9	6"	2305	1386	150	Rp 3
SUPS 6-60-10	6"	2418	1499	150	Rp 3
SUPS 6-60-11	6"	2621	1612	150	Rp 3
SUPS 6-60-12	6"	2734	1725	150	Rp 3
SUPS 6-60-13	6"	2952	1838	150	Rp 3
SUPS 6-60-14	6"	3065	1951	150	Rp 3
SUPS 6-60-15	6"	3178	2064	150	Rp 3
SUPS 6-60-16	6"	3391	2177	150	Rp 3
SUPS 6-60-17	6"	3504	2290	150	Rp 3
SUPS 6-60-18	6"	3697	2403	150	Rp 3
SUPS 6-60-19	6"	3810	2516	150	Rp 3
SUPS 6-60-20	6"	3923	2629	150	Rp 3

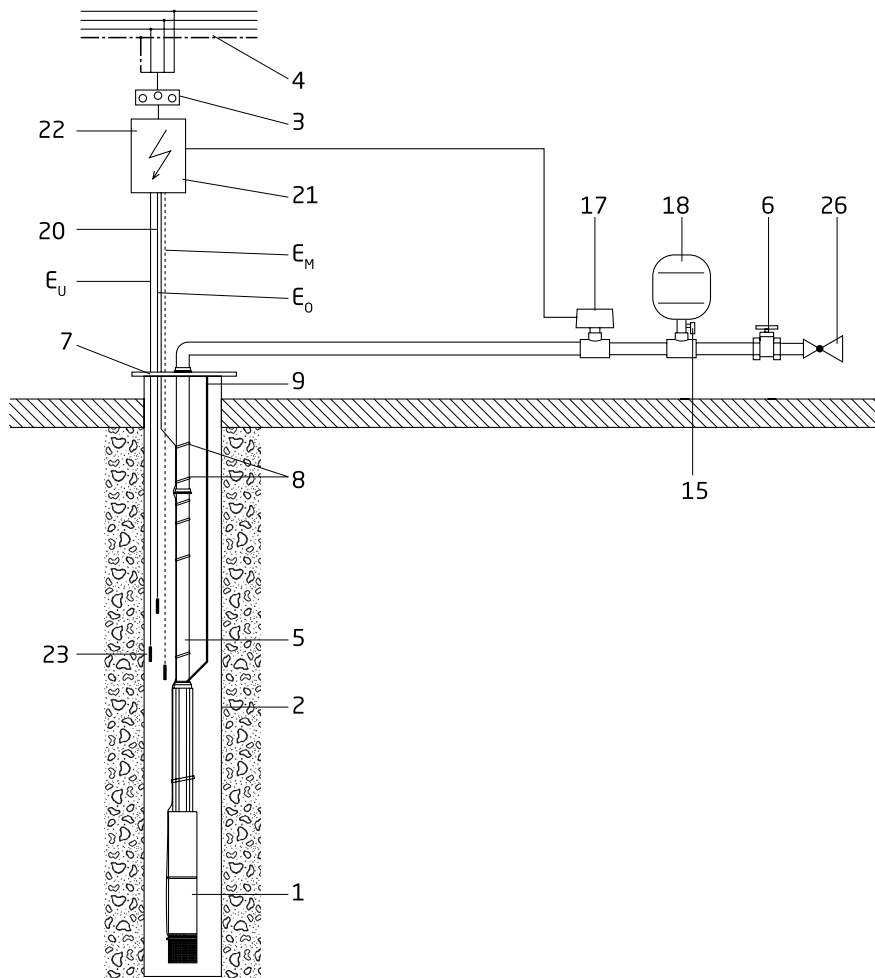


## Accessories



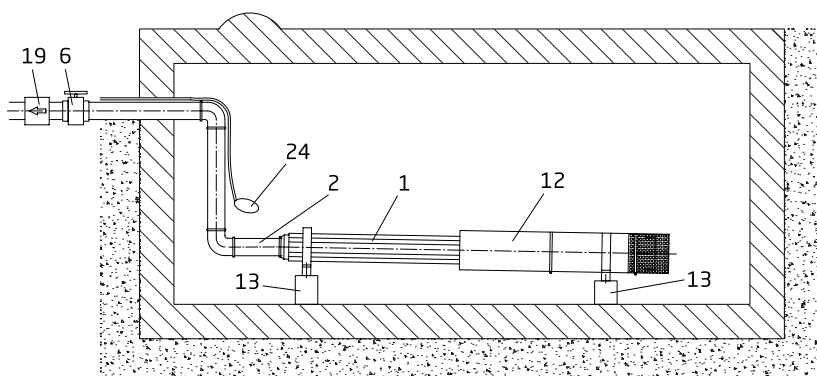
- 1 Borehole pump
- 2 Well
- 3 Fuses
- 4 Power supply
- 5 Fixed riser with threaded connection
- 6 Shut-off valve
- 7 Support clamp
- 8 Cable clamp
- 9 Steel cable with clamps
- 10 Air suction valve with non-return valve (approx. 2 m above max. water level)
- 11 Ventilation valve
- 14 Water level set
- 15 Pressure gauge
- 16 Pressure tank
- 17 Pressure switch
- 20 Submersible cable
- 21 Motor protection switch
- 22 Control box
- 23 Electrodes or float switch for dry run protection
- EU = lower electrode
- EO = upper electrode
- Em = ground electrode
- 25 Safety valve
- 27 Air tap with car valve for manual tank ventilation

## Accessories



- 1 Borehole pump
- 2 Well
- 3 Fuses
- 4 Power supply
- 5 Fixed riser with threaded connection
- 6 Shut-off valve
- 7 Support clamp
- 8 Cable clamp
- 9 Steel cable with clamps
- 12 Cooling jacket
- 15 Pressure gauge
- 17 Pressure switch
- 18 Diaphragm pressure vessel
- 20 Submersible cable
- 21 Motor protection switch
- 22 Control box with follow-up relay
- 23 Electrodes or float switch for dry run protection
- EU = lower electrode
- EO = upper electrode
- EM = ground electrode
- 26 Pressure reducer

## Installation diagram for a borehole pump in horizontal operation



All SUPS pumps are suitable for installation with cooling jackets, even those installed horizontally.

- 1 Install the pump with a slight incline
- 2 Calming track 20 - 30 cm
- 12 Cooling jacket (required for standing waters and longer run times)
- 13 Bearing block
- 19 Spring-loaded non-return valve\*
- 24 Float switch as dry run protection
- \* (only in connection with speed regulation)

Design with float switch as dry run protection

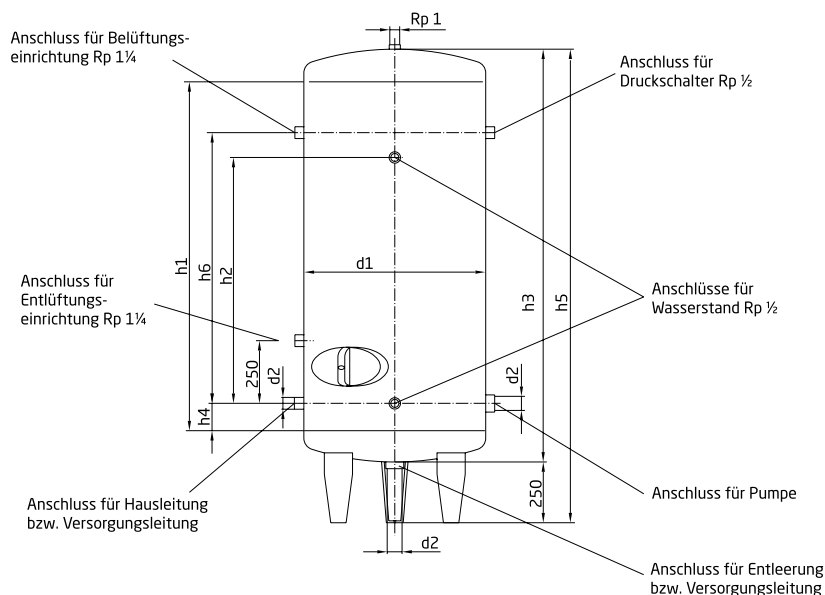


## Order information

Article/design	Connection	Article no.	Net RRP	Gross RRP
<b>Shut-off valve PN 16, Ms</b>	Rp ¾	507.2100.019	<b>16.49 €</b>	19.62 €
	Rp 1	507.2100.025	<b>27.55 €</b>	32.78 €
	Rp 1 ¼	507.2100.032	<b>39.95 €</b>	47.54 €
	Rp 1 ½	507.2100.038	<b>49.47 €</b>	58.87 €
	Rp 2	507.2100.050	<b>81.08 €</b>	96.49 €
<b>Support clamp, galvanised, complete, for pipe</b>	1 ¼"	510.0004.032	<b>155.30 €</b>	184.81 €
	1 ½"	510.0004.038	<b>156.37 €</b>	186.08 €
	2"	510.0004.050	<b>157.45 €</b>	187.37 €
	2 ½"	510.0004.065	<b>162.79 €</b>	193.72 €
	3"	510.0004.075	<b>243.12 €</b>	289.31 €
<b>Support clamp (KTW approval) with button for pipe</b>	1 ¼"-2 ½"	510.0003.032	<b>5.26 €</b>	6.26 €
<b>Roll support clamp band with buttons</b>	approx. 7.5 m	510.0003.999	<b>113.55 €</b>	135.12 €
<b>Stainless steel cable, Ø 4 mm, AISI 316 (up to 200 kg)</b>	per metre	510.0005.004	<b>2.67 €</b>	3.18 €
<b>Cable clamps, 4 mm, AISI 316 (4 pcs required per cable)</b>	per unit	510.0006.004	<b>2.57 €</b>	3.06 €
<b>Stainless steel cable, Ø 6 mm, AISI 316</b>	per metre	510.0005.006	<b>7.82 €</b>	9.31 €
<b>Cable clamps, 6 mm, AISI 316 (4 pcs required per cable)</b>	per unit	510.0006.006	<b>10.60 €</b>	12.61 €
<b>Cooling jacket, SUPS 4, 0.25 kW, 0.37 kW, 0.55 kW 3~</b>	DN 100	510.0009.402	<b>309.55 €</b>	368.36 €
<b>Cooling jacket, SUPS 4, 0.75 kW 3~, 0.55 kW 1~</b>	DN 100	510.0009.407	<b>309.55 €</b>	368.36 €
<b>Cooling jacket, SUPS 4, 1.10 kW 3~, 0.75 kW 1~</b>	DN 100	510.0009.411	<b>309.55 €</b>	368.36 €
<b>Cooling jacket, SUPS 4, 1.50 kW 3~, 1.10 kW 1~</b>	DN 100	510.0009.415	<b>309.55 €</b>	368.36 €
<b>Cooling jacket, SUPS 4, 2.20 kW 3~, 1.50 kW 1~</b>	DN 100	510.0009.422	<b>309.55 €</b>	368.36 €
<b>Cooling jacket, SUPS 4, 2.20 kW 1~</b>	DN 100	510.0009.423	<b>309.55 €</b>	368.36 €
<b>Cooling jacket, SUPS 4, 3.00 kW</b>	DN 100	510.0009.430	<b>309.55 €</b>	368.36 €
<b>Cooling jacket, SUPS 4, 3.70 kW</b>	DN 100	510.0009.437	<b>309.55 €</b>	368.36 €
<b>Cooling jacket, SUPS 4, 4.00 kW</b>	DN 100	510.0009.440	<b>309.55 €</b>	368.36 €
<b>Cooling jacket, SUPS 4, 5.50 kW</b>	DN 100	510.0009.455	<b>309.55 €</b>	368.36 €
<b>Cooling jacket, SUPS 4, 7.50 kW</b>	DN 100	510.0009.475	<b>309.55 €</b>	368.36 €
<b>Cooling jacket, SUPS 6-17, 0.55 kW</b>	DN 150	510.0009.505	<b>440.21 €</b>	523.85 €
<b>Cooling jacket, SUPS 6-17+30, 1.10 kW</b>	DN 150	510.0009.511	<b>440.21 €</b>	523.85 €
<b>Cooling jacket, SUPS 6-17+30, 2.20 kW</b>	DN 150	510.0009.522	<b>440.21 €</b>	523.85 €
<b>Cooling jacket, SUPS 6-48+60, 2.20 kW</b>	DN 150	510.0009.523	<b>440.21 €</b>	523.85 €
<b>Cooling jacket, SUPS 6-17+30, 3.00 kW</b>	DN 150	510.0009.530	<b>440.21 €</b>	523.85 €
<b>Cooling jacket, SUPS 6-48, 3.00 kW</b>	DN 150	510.0009.531	<b>440.21 €</b>	523.85 €
<b>Cooling jacket, SUPS 6-17+30, 4.00 kW</b>	DN 150	510.0009.540	<b>440.21 €</b>	523.85 €
<b>Cooling jacket, SUPS 6-60, 4.00 kW</b>	DN 150	510.0009.541	<b>440.21 €</b>	523.85 €
<b>Cooling jacket, SUPS 6-17+30, 5.50 kW; SUPI 6, 5.50 kW</b>	DN 150	510.0009.655	<b>440.21 €</b>	523.85 €
<b>Cooling jacket, SUPS 6-48+60, 5.50 kW</b>	DN 150	510.0009.656	<b>440.21 €</b>	523.85 €
<b>Cooling jacket, SUPS 6-17+30, 7.50 kW; SUPI 6, 7.50 kW</b>	DN 150	510.0009.675	<b>440.21 €</b>	523.85 €
<b>Cooling jacket, SUPS 6-48+60, 7.50 kW</b>	DN 150	510.0009.676	<b>440.21 €</b>	523.85 €
<b>Cooling jacket, SUPS 6-17+30, 9.30 kW</b>	DN 150	510.0009.693	<b>440.21 €</b>	523.85 €
<b>Cooling jacket, SUPS 6-48+60, 9.30 kW</b>	DN 150	510.0009.694	<b>440.21 €</b>	523.85 €
<b>Cooling jacket, SUPS 6-17+30, 11.00 kW</b>	DN 150	510.0009.611	<b>440.21 €</b>	523.85 €
<b>Cooling jacket, SUPS 6-48+60, 11.00 kW</b>	DN 150	510.0009.612	<b>440.21 €</b>	523.85 €
<b>Cooling jacket, SUPS 6-30, 15.00 kW</b>	DN 150	510.0009.615	<b>440.21 €</b>	523.85 €
<b>Cooling jacket, SUPS 6-48+60, 15.00 kW</b>	DN 150	510.0009.616	<b>440.21 €</b>	523.85 €
<b>Cooling jacket, SUPS 6-48+60, 18.50 kW</b>	DN 150	510.0009.618	<b>440.21 €</b>	523.85 €
<b>Cooling jacket, SUPS 6-48+60, 22.00 kW</b>	DN 150	510.0009.622	<b>440.21 €</b>	523.85 €
<b>Cooling jacket, SUPS 6-48+60, 30.00 kW</b>	DN 150	510.0009.630	<b>440.21 €</b>	523.85 €
<b>Cooling jacket, SUPS 6-48+60, 37.00 kW</b>	DN 150	510.0009.637	<b>440.21 €</b>	523.85 €
<b>Strainer basket cover (for low water coverage)</b>		510.5001.100	<b>124.12 €</b>	147.70 €

## Order information

Article/design	Connection	Article no.	Net RRP	Gross RRP
<b>Set of bearing blocks</b> (2 pcs), stainless steel (horizontal installation) <b>for SUPS 4, up to:</b> SUPS 4-2-42 SUPS 4-3-37 SUPS 4-5-42 SUPS 4-8-42 SUPS 4-14-13		510.0010.120	<b>270.98 €</b>	322.47 €
<b>Set of bearing blocks</b> (3 pcs), stainless steel (horizontal installation) <b>from 1.30 m pump length, for SUPS 4 from:</b> SUPS 4-2-46 SUPS 4-3-44 SUPS 4-5-45 SUPS 4-8-46 SUPS 4-14-15		510.0010.121	<b>393.06 €</b>	467.74 €
<b>Set of bearing blocks</b> (2 pcs), stainless steel (horizontal installation) <b>for SUPS 6, up to:</b> SUPS 6-17-19 SUPS 6-30-12		510.0010.160	<b>393.06 €</b>	467.74 €
<b>Set of bearing blocks</b> (2 pcs), stainless steel (horizontal installation) <b>for SUPS 6 up to:</b> SUPS 6-48-9 SUPS 6-60-9		510.0010.161	<b>393.06 €</b>	467.74 €
<b>Set of bearing blocks</b> (3 pcs), stainless steel (horizontal installation) <b>from 1.50 m pump length, for SUPS 6 from:</b> SUPS 6-17-20 SUPS 6-30-13		510.0010.162	<b>490.54 €</b>	583.74 €
<b>Set of bearing blocks</b> (3 pcs), stainless steel (horizontal installation) <b>from 1.50 m pump length, for SUPS 6 from:</b> SUPS 6-48-10 SUPS 6-60-10		510.0010.163	<b>490.54 €</b>	583.74 €
<b>Additional charge for flange design</b>				
from 1 ½" up to DN 40		510.5001.000	<b>179.21 €</b>	213.26 €
from 2" up to DN 50		510.5001.001	<b>191.03 €</b>	227.33 €
from 2 ½" up to DN 65		510.5001.002	<b>256.12 €</b>	304.78 €
from 3" up to DN 80		510.5001.003	<b>331.28 €</b>	394.22 €
<b>Light water level set</b> , Ms, complete, up to PN 6 including pressure gauge 0 - 6 bar, Ø 63 mm water level taps, R ½ drain tap, R ¼, including:	R ½			
Sight tube, 0.7 m long or		507.3200.000	<b>155.30 €</b>	184.81 €
Sight tube, 1.0 m long		507.3210.000	<b>155.30 €</b>	184.81 €
<b>Heavy water level set</b> , Ms, complete, up to PN 10 including pressure gauge 0 - 10 bar, Ø 80 mm water level taps, R ½ pressure gauge three-way tap with test flange drain tap, R ¼, including:	R ½			
Glass tube and protective tube 0.5 m long		507.3320.000	<b>329.88 €</b>	392.56 €
Glass tube and protective tube 0.7 m long		507.3300.000	<b>329.88 €</b>	392.56 €
Glass tube and protective tube 1.0 m long		507.3310.000	<b>329.88 €</b>	392.56 €
<b>Pressure gauge</b> Ø 63 mm, 0 - 6 bar, rear, glycerine-filled	R ¼	507.6325.010	<b>38.47 €</b>	45.78 €
Ø 63 mm, 0 - 10 bar, rear, glycerine-filled	R ¼	507.6325.016	<b>38.47 €</b>	45.78 €
Ø 63 mm, 0 - 10 bar, VA, rear, glycerine-filled	R ¼	507.6325.110	<b>94.43 €</b>	112.37 €
Ø 63 mm, 0 - 25 bar, VA, rear, glycerine-filled	R ¼	507.6325.116	<b>94.43 €</b>	112.37 €
<b>Non-return valve</b> PN 16, Ms	Rp 1	507.2300.025	<b>60.51 €</b>	72.01 €
	Rp 1 ¼	507.2300.032	<b>82.47 €</b>	98.14 €
	Rp 1 ½	507.2300.038	<b>131.73 €</b>	156.76 €
	Rp 2	507.2300.050	<b>229.20 €</b>	272.75 €



## Pressure vessel dimensions

Nominal capacity litres	d1	d2	h1 +25/-0	h2 +/- 5	h3 max	h4 +/- 3	h5 max.	h6 +/- 5
150	450	Rp 2	790	500	1055	85	1275	500
300	550	Rp 2	1100	700	1405	85	1625	675
500	650	Rp 2	1310	700	1655	85	1875	800
750	800	Rp 2	1250	700	1665	85	1885	800
1000	800	Rp 2	1750	1000	2165	85	2385	1050
1500	1000	Rp 3	1560	1000	2060	120	2280	1000
2000	1100	Rp 3	1770	1000	2315	120	2535	1125
3000	1150	Rp 3	2500	1000	3085	120	3305	1500

## Order information

Article/design	litre	Weight	Article no.		Net RRP	Gross RRP
<b>Pressure vessel according to DIN 4810 - galvanised and including factory certification</b>						
<b>6 bar</b>	150	46.00	504.8600.150	X	802.73 €	955.25 €
	300	69.00	504.8600.300	X	996.87 €	1,186.28 €
	500	108.00	504.8600.500	X	1,335.84 €	1,589.65 €
	750	155.00	504.8600.750	X	2,036.57 €	2,423.52 €
	1000	192.00	504.8601.000	X	2,594.42 €	3,087.36 €
	1500	312.00	504.8601.500		6,751.61 €	8,034.42 €
	2000	382.00	504.8602.000		8,701.40 €	10,354.67 €
	3000	494.00	504.8603.000		9,988.82 €	11,886.70 €
<b>10 bar</b>	150	54.00	504.8000.150	X	1,465.90 €	1,744.42 €
	300	92.00	504.8000.300	X	1,851.30 €	2,203.05 €
	500	141.00	504.8000.500	X	2,412.39 €	2,870.74 €
	750	200.00	504.8000.750	X	3,114.06 €	3,705.73 €
	1000	249.00	504.8001.000	X	4,090.21 €	4,867.35 €
	1500	414.00	504.8001.500		8,041.66 €	9,569.58 €
	2000	508.00	504.8002.000		9,744.55 €	11,596.01 €
	3000	701.00	504.8003.000		12,184.37 €	14,499.40 €

X = Warehouse goods, can be dispatched immediately

## Order information

Article/Design	Settings range	Connection	Article no.	Net RRP	Gross RRP
<b>Pressure switch, single pole, protection class IP 54</b>					
<b>FF 4-2 DAH</b>	- max. 2 bar	Rp ¾	500.8200.001	<b>121.03 €</b>	144.03 €
<b>FF 4-4 DAH</b>	- max. 4 bar	Rp ¾	500.8200.002	<b>122.11 €</b>	145.31 €
<b>FF 4-8 DAH</b>	- max. 8 bar	Rp ¾	500.8200.003	<b>126.38 €</b>	150.39 €
<b>FF 4-16 DAH</b>	- max. 16 bar	Rp ¾	500.8200.004	<b>136.02 €</b>	161.86 €
<b>FF 4-32 DAH</b>	- max. 32 bar	Rp ¾	500.8200.005	<b>149.96 €</b>	178.45 €
<b>Pressure switch, three pole, protection class IP 55</b>					
<b>MDR 5/5 (preset 1.5 - 3 bar)</b>	- max. 5 bar	Rp ½	500.8100.001	<b>53.65 €</b>	63.84 €
<b>MDR 5/5 (preset 2 - 4 bar)</b>	- max. 5 bar	Rp ½	500.8100.011	<b>53.65 €</b>	63.84 €
<b>MDR 5/8</b>	- max. 8 bar	Rp ½	500.8100.002	<b>77.02 €</b>	91.65 €
<b>MDR 5/11</b>	- max. 11 bar	Rp ½	500.8100.003	<b>162.79 €</b>	193.72 €
<b>MDR 5/16</b>	- max. 16 bar	Rp ½	500.8100.004	<b>181.01 €</b>	215.40 €
<b>Speckmat 1, 10 A, 230 V, IP 65</b>	- max. 10 bar	R 1	569.8003.450	<b>164.94 €</b>	196.28 €
<b>Speckmat 2, 16 A, 230 V, IP 65</b>	- max. 12 bar	R 1 ¼	569.8003.500	<b>305.25 €</b>	363.25 €
<b>Diaphragm pressure vessel with food quality diaphragm, inner coating and foot valve, preloaded: approx. 10 % under starting pressure.</b>					
<b>Refix DD 8, 8 l, max. 16 bar</b>		R ¾	505.4100.008	<b>105.96 €</b>	126.09 €
<b>Refix DD 8, 8 l, max. 25 bar</b>		R ¾	505.4200.008	<b>214.35 €</b>	255.08 €
<b>Refix DD 18, 18 l, max. 10 bar</b>		R ¾	505.4100.018	<b>126.67 €</b>	150.74 €
<b>Flow fitting for diaphragm pressure vessel above</b>		R ¾	505.4100.009	<b>48.20 €</b>	57.36 €
<b>Diaphragm pressure vessel with food quality diaphragm, inner coating and foot valve, with mounting brackets for wall assembly.</b>					
<b>ADF 50.10, 50 l, max. 10 bar</b>		R 1 x R 1	505.5300.051	<b>734.42 €</b>	873.96 €
<b>ADF 80.10, 80 l, max. 10 bar</b>		R 1 x R 1	505.5300.081	<b>982.88 €</b>	1,169.63 €

See page 30 for larger diaphragm pressure vessels.





## Order information

Article/design	Article no.	Net RRP	Gross RRP
<b>Submersible cable for drinking water, type Hydrofirm T, blue, only available in 5 m stages</b>			
4 x 1.5 mm <sup>2</sup>	510.0002.415	4.18 €	4.97 €
4 x 2.5 mm <sup>2</sup>	510.0002.425	6.32 €	7.52 €
4 x 4.0 mm <sup>2</sup>	510.0002.440	8.35 €	9.94 €
4 x 6.0 mm <sup>2</sup>	510.0002.460	16.49 €	19.62 €
4 x 10.0 mm <sup>2</sup>	510.0002.490	31.38 €	37.34 €
4 x 16.0 mm <sup>2</sup>	510.0002.491	40.69 €	48.42 €
Cable connection, max. 2.5 mm <sup>2</sup> up to 4 kW	510.5000.020	77.98 €	92.80 €
Cable connection, max. 6 mm <sup>2</sup> up to 15 kW	510.5000.050	42.52 €	50.60 €
Cable connection, max. 16 mm <sup>2</sup>	510.5000.022	299.88 €	356.86 €
Cable set for 4" motors, 4 x 1.5 mm <sup>2</sup> , 5 m	510.5015.005	111.38 €	132.54 €
Cable set for 4" motors, 4 x 1.5 mm <sup>2</sup> , 10 m	510.5015.010	122.11 €	145.31 €
Cable set for 4" motors, 4 x 1.5 mm <sup>2</sup> , 15 m	510.5015.015	142.46 €	169.53 €
Cable set for 4" motors, 4 x 1.5 mm <sup>2</sup> , 20 m	510.5015.020	163.87 €	195.01 €
Cable set for 4" motors, 4 x 1.5 mm <sup>2</sup> , 25m	510.5015.025	184.22 €	219.22 €
Cable set for 4" motors, 4 x 1.5 mm <sup>2</sup> , 30 m	510.5015.030	204.56 €	243.43 €
Cable set for 4" motors, 4 x 1.5 mm <sup>2</sup> , 35 m	510.5015.035	225.99 €	268.93 €
Cable set for 4" motors, 4 x 1.5 mm <sup>2</sup> , 40 m	510.5015.040	246.33 €	293.13 €
Cable set for 4" motors, 4 x 1.5 mm <sup>2</sup> , 45 m	510.5015.045	266.68 €	317.35 €
Cable set for 4" motors, 4 x 1.5 mm <sup>2</sup> , 50 m	510.5015.050	288.11 €	342.85 €
Cable set for 4" motors, 4 x 1.5 mm <sup>2</sup> , 55 m	510.5015.055	308.47 €	367.08 €
Cable set for 4" motors, 4 x 1.5 mm <sup>2</sup> , 60 m	510.5015.060	328.81 €	391.28 €
Cable set for 4" motors, 4 x 2.5 mm <sup>2</sup> , 5 m	510.5025.005	118.80 €	141.37 €
Cable set for 4" motors, 4 x 2.5 mm <sup>2</sup> , 10 m	510.5025.010	142.46 €	169.53 €
Cable set for 4" motors, 4 x 2.5 mm <sup>2</sup> , 15 m	510.5025.015	174.56 €	207.73 €
Cable set for 4" motors, 4 x 2.5 mm <sup>2</sup> , 20 m	510.5025.020	205.64 €	244.71 €
Cable set for 4" motors, 4 x 2.5 mm <sup>2</sup> , 25 m	510.5025.025	237.77 €	282.95 €
Cable set for 4" motors, 4 x 2.5 mm <sup>2</sup> , 30 m	510.5025.030	268.82 €	319.90 €
Cable set for 4" motors, 4 x 2.5 mm <sup>2</sup> , 35 m	510.5025.035	300.97 €	358.15 €
Cable set for 4" motors, 4 x 2.5 mm <sup>2</sup> , 40 m	510.5025.040	330.93 €	393.81 €
Cable set for 4" motors, 4 x 2.5 mm <sup>2</sup> , 45 m	510.5025.045	363.08 €	432.07 €
Cable set for 4" motors, 4 x 2.5 mm <sup>2</sup> , 50 m	510.5025.050	395.21 €	470.30 €
Cable set for 4" motors, 4 x 2.5 mm <sup>2</sup> , 55 m	510.5025.055	425.20 €	505.99 €
Cable set for 4" motors, 4 x 2.5 mm <sup>2</sup> , 60 m	510.5025.060	458.40 €	545.50 €

Article/design	Settings range (A)	Motor performance (kW)	Article no.	Net RRP	Gross RRP
<b>Motor protection switch, thermal and magnetic, (not required if complete control box [22] is delivered)</b>					
	-1.60	0.37	510.0050.081	103.14 €	122.74 €
for 3~ 400 V	-2.50	0.55 - 0.75	510.0050.082	103.14 €	122.74 €
PKZ M01, plastic enclosed	-4.00	1.10 - 1.50	510.0050.083	103.14 €	122.74 €
	-6.30	2.20	510.0050.084	103.14 €	122.74 €
	-10.00	4.00	510.0050.085	124.25 €	147.86 €

## Order information

### Article/design

**Control box, type SUP-A/B/C/D, for three phase or single phase supply,  
dry run protection via electrodes, relating to SUP-A or SUP-C  
dry run protection via float switch, relating to SUP-B or SUP-D  
without follow-up for pump, for pressure vessel operation, relating to SUP-A or SUP-B  
with follow-up for pump, for diaphragm pressure vessel operation, relating to SUP-C or SUP-D**  
Operating voltage 3~ 400 V or 1~ 230 V, 50 Hz, control voltage 230 V,  
50 Hz, plastic or steel enclosed, consisting of:  
1 control box housing, protection class IP 54  
1 air protection for direct start or star-delta combination  
1 motor protection switch, thermal and magnetic  
1 connection for pressure switch  
1 on/off switch  
1 control fuse

### Article/design

**Control box, type SUP-A, for single-phase supply,  
dry run protection via electrodes,  
without follow-up for pump.**  
Operating voltage 3~ 400 V, 50 Hz, control voltage 230 V, 50 Hz  
plastic enclosed (steel enclosed at star-delta start)

	Settings range (A)	Motor performance (kW)	Article no.	Net RRP	Gross RRP
<b>Direct start</b>	-1.25	0.37	510.0051.012	<b>532.24 €</b>	633.37 €
	-1.60	0.55	510.0051.016	<b>532.24 €</b>	633.37 €
	-2.50	0.75	510.0051.025	<b>532.24 €</b>	633.37 €
	-4.00	1.10	510.0051.040	<b>532.24 €</b>	633.37 €
	-5.00	1.50	510.0051.050	<b>532.24 €</b>	633.37 €
	-8.00	2.20 - 3.00	510.0051.060	<b>532.24 €</b>	633.37 €
	-12.50	3.70 - 4.00	510.0051.100	<b>532.24 €</b>	633.37 €
	-16.00	5.50	510.0051.161	<b>607.75 €</b>	723.22 €
	-20.00	7.50	510.0051.200	<b>607.75 €</b>	723.22 €
Dimensions (L x B x H): 240 x 160 x 160 mm					
<b>Star-delta start</b>	-16.00	5.50	510.0051.160	<b>1,124.60 €</b>	1,338.27 €
	-20.00	7.50	510.0051.250	<b>1,132.10 €</b>	1,347.20 €
	-25.00	9.30 - 11.00	510.0051.251	<b>1,437.33 €</b>	1,710.42 €
	-40.00	15.00 - 18.50	510.0051.400	<b>1,752.24 €</b>	2,085.17 €
	-50.00	22.00	510.0051.500	<b>1,792.94 €</b>	2,133.60 €
Dimensions (L x B x H): 500 x 400 x 200 mm					



## Order information

### Article/design

**Control box, type SUP-B, for three phase supply,  
dry run protection via float switch,  
without follow-up for pump.**

Operating voltage 3~ 400 V, 50 Hz, control voltage 230 V, 50 Hz  
plastic enclosed (steel enclosed at star-delta start)

	Settings range (A)	Motor performance (kW)	Article no.	Net RRP	Gross RRP
<b>Direct start</b>	-1.25	0.37	510.0053.012	<b>364.16 €</b>	433.35 €
	-1.60	0.55	510.0053.016	<b>364.16 €</b>	433.35 €
	-2.50	0.75	510.0053.025	<b>364.16 €</b>	433.35 €
	-4.00	1.10	510.0053.040	<b>364.16 €</b>	433.35 €
	-5.00	1.50	510.0053.050	<b>364.16 €</b>	433.35 €
	-8.00	2.20 - 3.00	510.0053.060	<b>364.16 €</b>	433.35 €
	-12.50	3.70 - 4.00	510.0053.100	<b>364.16 €</b>	433.35 €
	-16.00	5.50	510.0053.161	<b>544.42 €</b>	647.86 €
	-20.00	7.50	510.0053.200	<b>544.42 €</b>	647.86 €
Dimensions (L x B x H): 240 x 160 x 160 mm					
<b>Star-delta start</b>	-16.00	5.50	510.0053.160	<b>994.98 €</b>	1,184.03 €
	-20.00	7.50	510.0053.250	<b>1,003.57 €</b>	1,194.25 €
	-25.00	9.30 - 11.00	510.0053.251	<b>1,314.18 €</b>	1,563.87 €
	-40.00	15.00 - 18.50	510.0053.400	<b>1,629.06 €</b>	1,938.58 €
	-50.00	22.00	510.0053.500	<b>1,662.26 €</b>	1,978.09 €
Dimensions (L x B x H): 500 x 400 x 200 mm					

### Article/design

**Control box, type SUP-C, for three phase supply,  
dry run protection via electrodes,  
with follow-up for pump.**

Operating voltage 3~ 400 V, 50 Hz, control voltage 230 V, 50 Hz  
plastic enclosed (steel enclosed at star-delta start)

	Settings range (A)	Motor performance (kW)	Article no.	Net RRP	Gross RRP
<b>Direct start</b>	-1.25	0.37	510.0055.012	<b>688.13 €</b>	818.87 €
	-1.60	0.55	510.0055.016	<b>688.13 €</b>	818.87 €
	-2.50	0.75	510.0055.025	<b>688.13 €</b>	818.87 €
	-4.00	1.10	510.0055.040	<b>688.13 €</b>	818.87 €
	-5.00	1.50	510.0055.050	<b>688.13 €</b>	818.87 €
	-8.00	2.20 - 3.00	510.0055.060	<b>688.13 €</b>	818.87 €
	-12.50	3.70 - 4.00	510.0055.100	<b>688.13 €</b>	818.87 €
	-16.00	5.50	510.0055.161	<b>791.66 €</b>	942.08 €
	-20.00	7.50	510.0055.200	<b>791.66 €</b>	942.08 €
Dimensions (L x B x H): 240 x 160 x 160 mm					
<b>Star-delta start</b>	-16.00	5.50	510.0055.160	<b>1,208.14 €</b>	1,437.69 €
	-20.00	7.50	510.0055.250	<b>1,216.71 €</b>	1,447.88 €
	-25.00	9.30 - 11.00	510.0055.251	<b>1,508.02 €</b>	1,794.54 €
	-40.00	15.00 - 18.50	510.0055.400	<b>1,819.71 €</b>	2,165.45 €
	-50.00	22.00	510.0055.500	<b>1,875.40 €</b>	2,231.73 €
Dimensions (L x B x H): 500 x 400 x 200 mm					

## Order information

### Article/design

**Control box, type SUP-D, for three phase supply,  
dry run protection via float switch,  
with follow-up for pump.**

Operating voltage 3~ 400 V, 50 Hz, control voltage 230 V, 50 Hz  
plastic enclosed (steel enclosed at star-delta start)

	Settings range (A)	Motor performance (kW)	Article no.	Net RRP €	Gross RRP €
<b>Direct start</b>	-1.25	0.37	510.0057.012	<b>544.42 €</b>	647.86 €
	-1.60	0.55	510.0057.016	<b>544.42 €</b>	647.86 €
	-2.50	0.75	510.0057.025	<b>544.42 €</b>	647.86 €
	-4.00	1.10	510.0057.040	<b>544.42 €</b>	647.86 €
	-5.00	1.50	510.0057.050	<b>544.42 €</b>	647.86 €
	-8.00	2.20 - 3.00	510.0057.060	<b>544.42 €</b>	647.86 €
	-12.50	3.70 - 4.00	510.0057.100	<b>544.42 €</b>	647.86 €
	-16.00	5.50	510.0057.161	<b>727.11 €</b>	865.26 €
	-20.00	7.50	510.0057.200	<b>727.11 €</b>	865.26 €
Dimensions (L x B x H): 240 x 160 x 160 mm					
<b>Star-delta start</b>	-16.00	5.50	510.0057.160	<b>1,079.61 €</b>	1,284.74 €
	-20.00	7.50	510.0057.250	<b>1,087.12 €</b>	1,293.67 €
	-25.00	9.30 - 11.00	510.0057.251	<b>1,384.85 €</b>	1,647.97 €
	-40.00	15.00 - 18.50	510.0057.400	<b>1,697.61 €</b>	2,020.16 €
	-50.00	22.00	510.0057.500	<b>1,745.81 €</b>	2,077.51 €
Dimensions (L x B x H): 500 x 400 x 200 mm					

### Article/design

**Control box, type SUP-A, for single-phase supply,  
dry run protection via electrodes,  
with follow-up for pump.**

Operating voltage 1~ 230 V, 50 Hz, control voltage 230 V, 50 Hz  
plastic enclosed

Dimensions (L x B x H): 240 x 160 x 160 mm

**Control box, type SUP-B, for single-phase supply,  
dry run protection via float switch,  
without follow-up for pump.**

Operating voltage 1~ 230 V, 50 Hz, control voltage 230 V, 50 Hz  
plastic enclosed

Dimensions (L x B x H): 240 x 160 x 160 mm

**Control box, type SUP-C, for single-phase supply,  
dry run protection via electrodes,  
with follow-up for pump.**

Operating voltage 1~ 230 V, 50 Hz, control voltage 230 V, 50 Hz  
plastic enclosed

Dimensions (L x B x H): 240 x 160 x 160 mm

**Control box, type SUP-D, for single-phase supply,  
dry run protection via float switch,  
with follow-up for pump.**

Operating voltage 1~ 230 V, 50 Hz, control voltage 230 V, 50 Hz  
plastic enclosed

Dimensions (L x B x H): 240 x 160 x 160 mm

	Article no.	Net RRP €	Gross RRP €
Control box, type SUP-A, for single-phase supply, dry run protection via electrodes, with follow-up for pump. Operating voltage 1~ 230 V, 50 Hz, control voltage 230 V, 50 Hz plastic enclosed Dimensions (L x B x H): 240 x 160 x 160 mm	510.0057.012	<b>426.27 €</b>	507.26 €
Control box, type SUP-B, for single-phase supply, dry run protection via float switch, without follow-up for pump. Operating voltage 1~ 230 V, 50 Hz, control voltage 230 V, 50 Hz plastic enclosed Dimensions (L x B x H): 240 x 160 x 160 mm	510.0057.016	<b>247.24 €</b>	294.22 €
Control box, type SUP-C, for single-phase supply, dry run protection via electrodes, with follow-up for pump. Operating voltage 1~ 230 V, 50 Hz, control voltage 230 V, 50 Hz plastic enclosed Dimensions (L x B x H): 240 x 160 x 160 mm	510.0057.025	<b>576.08 €</b>	685.54 €
Control box, type SUP-D, for single-phase supply, dry run protection via float switch, with follow-up for pump. Operating voltage 1~ 230 V, 50 Hz, control voltage 230 V, 50 Hz plastic enclosed Dimensions (L x B x H): 240 x 160 x 160 mm	510.0057.040	<b>395.83 €</b>	471.04 €



## Order information

### Additional charges

Article/design	Article no.	Net RRP	Gross RRP
<b>Kalkulationsbasis Schaltkasten 240x160x160</b>			
↳ Larger ISO control box 280x200x160	560.6005.070	68.75 €	81.81 €
↳ Larger steel control box 400x400x200	560.6005.071	499.12 €	593.95 €
↳ Larger steel control box 500x400x200	560.6005.072	97.37 €	115.87 €
↳ Larger steel control box 500x500x200	560.6005.073	97.37 €	115.87 €
↳ Larger steelTiT	560.6005.074	97.37 €	115.87 €
↳ Larger steel control box 600x600x200	560.6005.075	97.37 €	115.87 €
↳ Larger steel control box 700x500x250	560.6005.076	175.66 €	209.04 €
↳ Larger steel control box 800x600x200	560.6005.077	175.66 €	209.04 €
↳ Larger steel control box 1000x800x300	560.6005.078	175.66 €	209.04 €
Soft starter up to 12.5 A	560.6006.001	159.59 €	189.91 €
Soft starter up to 17.6 A	560.6006.011	209.92 €	249.80 €
Soft starter up to 25.0 A	560.6006.021	267.75 €	318.62 €
Soft starter up to 32.0 A	560.6006.031	337.38 €	401.48 €
Soft starter up to 45.0 A	560.6006.041	395.21 €	470.30 €
Soft starter up to 63.0 A	560.6006.051	471.26 €	560.80 €
Soft starter up to 80.0 A	560.6006.061	583.71 €	694.61 €
Light indicator, 230 V, white (operation)	560.6001.001	54.50 €	64.86 €
Light indicator, 230 V, red (overvoltage)	560.6001.002	54.50 €	64.86 €
Light indicator, 230 V, red (water shortage)	560.6001.003	54.50 €	64.86 €
Light indicator, 230 V, red (flooding)	560.6001.004	54.50 €	64.86 €
Light indicator, 230 V, red (error)	560.6001.005	54.50 €	64.86 €
Light indicator, 230 V, white (ball valve open)	560.6001.006	54.50 €	64.86 €
Light indicator, 230 V, white (ball valve closed)	560.6001.007	54.50 €	64.86 €
Light indicator, 230 V, white (magnetic valve open)	560.6001.008	54.50 €	64.86 €
Light indicator, 230 V, green (ready for operation)	560.6001.009	54.50 €	64.86 €
Potential-free contact (operation)	560.6002.001	54.50 €	64.86 €
Potential-free contact (overvoltage)	560.6002.002	54.50 €	64.86 €
Potential-free contact (water shortage)	560.6002.003	54.50 €	64.86 €
Potential-free contact (flooding)	560.6002.004	54.50 €	64.86 €
Potential-free contact (error)	560.6002.005	54.50 €	64.86 €
Potential-free contact (ball valve open)	560.6002.006	54.50 €	64.86 €
Potential-free contact (magnetic valve open)	560.6002.007	54.50 €	64.86 €
Selector switch manual-0-automatic (locking)	560.6003.001	54.50 €	64.86 €
Selector switch manual-0-automatic (non-locking)	560.6003.002	54.50 €	64.86 €
Key switch manual-0-automatic	560.6003.003	80.43 €	95.71 €
Key switch manual-0-on-off	560.6003.004	99.92 €	118.90 €
Electrode relay	560.6004.001	219.57 €	261.29 €
Phase sequence relay with light indicator	560.6004.011	179.94 €	214.13 €
Interface relay for external start/stop signal	560.6004.021	76.57 €	91.12 €
Flow sensor incl. 5 m cable	560.6004.031	996.06 €	1,185.31 €
Timer, analogue	560.6004.041	140.30 €	166.96 €
Timer, digital, 1 channel	560.6004.042	269.89 €	321.17 €
Timer, flushing according to VDI 6023	560.6004.043	245.26 €	291.86 €
Bluetooth modul for timer	589.8001.042	118.81 €	141.38 €
Contact sensor	560.6004.051	141.37 €	168.23 €
Operating hour meter, analogue	560.6005.021	140.30 €	166.96 €
Heating, 20 Watt, with thermostat	560.6005.031	127.45 €	151.67 €
Transformer 400/24 V, 63 VA, incl.	560.6005.041	253.84 €	302.07 €
Horn off button	560.6005.051	71.35 €	84.91 €
Logo control with display	560.6005.061	1,662.26 €	1,978.09 €
Contact water meter 1", Reed 100 L/pulse (Logo cotrol required)	560.6901.016	617.99 €	735.41 €

Order information

Article/design	Article no.	Net RRP	Gross RRP									
<b>Dry run protection via electrodes, assembled completely, 3 units required</b>												
with 5 m cable	510.0060.005	64.68 €	76.97 €									
with 10 m cable	510.0060.010	71.66 €	85.28 €									
with 15 m cable	510.0060.015	78.70 €	93.65 €									
with 20 m cable	510.0060.020	85.68 €	101.96 €									
with 25 m cable	510.0060.025	92.75 €	110.37 €									
with 30 m cable	510.0060.030	99.70 €	118.64 €									
with 35 m cable	510.0060.035	106.78 €	127.07 €									
with 40 m cable	510.0060.040	113.75 €	135.36 €									
with 45 m cable	510.0060.045	120.82 €	143.78 €									
with 50 m cable	510.0060.050	127.77 €	152.05 €									
<b>Dry run protection via float switch, single pole, red</b>												
with 3 m cable	500.8400.001	28.92 €	34.41 €									
with 5 m cable	500.8400.002	34.48 €	41.03 €									
with 10 m cable	500.8400.003	48.20 €	57.36 €									
with 15 m cable	500.8400.004	61.81 €	73.55 €									
with 20 m cable	500.8400.005	75.72 €	90.11 €									
<b>Filling via float switch, single pole, yellow</b>												
with 3 m cable	500.8400.011	28.92 €	34.41 €									
with 5 m cable	500.8400.012	34.48 €	41.03 €									
with 10 m cable	500.8400.013	48.20 €	57.36 €									
with 15 m cable	500.8400.014	61.81 €	73.55 €									
with 20 m cable	500.8400.015	75.72 €	90.11 €									
<b>Weight for float switch</b>	500.8499.998	32.22 €	38.34 €									
<b>Proportional safety valve no. 652 made from gunmetal, component</b> inspection drawing 293. Discharge capacity at 10 % excess pressure:												
(bar)	1	2	3	4	5	6	7	8				
(m³/h)	½"	1.51	2.14	2.62	3.02	3.38	3.70	3.99	4.27	504.0000.013	187.43 €	223.04 €
Water	¾"	2.55	3.61	4.42	5.10	5.71	6.25	6.75	7.22	504.0000.019	203.49 €	242.15 €
	1"	3.87	5.47	6.69	7.73	8.64	9.47	10.23	10.93	504.0000.025	216.36 €	257.47 €
	1 ¼"	4.89	6.92	8.47	9.78	10.94	11.98	12.94	13.84	504.0000.032	423.23 €	503.64 €
	1 ½"	7.31	10.33	12.66	14.62	16.34	17.90	19.33	20.67	504.0000.038	476.62 €	567.18 €
	2"	9.44	13.35	16.34	18.87	21.10	23.11	24.97	26.69	504.0000.050	615.85 €	732.86 €
(bar)	9	10	11	12	13	14	15	16				
(m³/h)	½"	4.53	4.77	2.78	2.91	3.02	3.14	3.25	3.36	504.0000.013	187.43 €	223.04 €
Water	¾"	7.65	8.07	6.82	7.12	7.41	7.69	7.96	8.22	504.0000.019	203.49 €	242.15 €
	1"	11.60	12.22	12.82	13.39	13.94	14.46	14.97	15.46	504.0000.025	216.36 €	257.47 €
	1 ¼"	14.68	15.47	14.42	15.06	15.68	16.27	16.84	17.39	504.0000.032	423.23 €	503.64 €
	1 ½"	21.92	23.11	23.56	24.61	25.62	26.58	27.52	28.42	504.0000.038	476.62 €	567.18 €
	2"	28.31	29.84	31.30	32.69	34.02	35.31	36.55	37.75	504.0000.050	615.85 €	732.86 €
<b>Pressure reducer with balanced single-seat valve, built-in dirt trap and transparent strainer cup (design A) or brass strainer cup (design B), housing and screws made from brass, static pressure max. 25 bar, back pressure 1.5 - 6 bar = design A back pressure 1.5 - 12 bar = design B</b>												
R 1¼, design A, Q max.= 6.00 m³/h	504.4100.032	291.33 €	346.68 €									
R 1¼, design B, Q max.= 6.00 m³/h	504.4200.032	418.78 €	498.35 €									
R 1½, design A, Q max.= 9.00 m³/h	504.4100.038	509.82 €	606.69 €									
R 1½, design B, Q max.= 9.00 m³/h	504.4200.038	782.94 €	931.70 €									
R 2, design A, Q max.= 12.00 m³/h	504.4100.050	621.21 €	739.24 €									
R 2, design B, Q max.= 12.00 m³/h	504.4200.050	837.54 €	996.67 €									
Pressure gauge for pressure reducer, R¼, connection at rear, 0 - 10 bar, Ø 63 mm	507.6121.010	8.24 €	9.81 €									
<b>Air tap with car valve for manual vessel ventilation, R ¼</b>	507.2900.007	30.30 €	36.06 €									



### Order information

Article/design	Article no.	Net RRP	Gross RRP
<b>Pipe unit, PN 10</b> , assembled completely, consisting of: Console with brackets for wall mounting, Diaphragm pressure vessel 18 l, PN 10, Pressure gauge and pressure switch, up to 8 bar.			
Pipe dimension 1¼"	510.0011.001	539.72 €	642.27 €
Pipe dimension 1½"	510.0011.002	557.65 €	663.60 €
Pipe dimension 2"	510.0011.003	592.92 €	705.57 €
<b>Pipe unit, PN 16</b> , assembled completely, consisting of: Console with brackets for wall mounting, Diaphragm pressure vessel 8 l, PN 16, Pressure gauge and pressure switch, up to 16 bar.			
Pipe dimension 1¼"	510.0012.001	539.72 €	642.27 €
Pipe dimension 1½"	510.0012.002	557.65 €	663.60 €
Pipe dimension 2"	510.0012.003	592.92 €	705.57 €
<b>Flow dependent switch</b>			
Pipe dimension 1¼"	560.6004.032	900.03 €	1,071.04 €
Pipe dimension 1½"	560.6004.033	910.68 €	1,083.71 €
Pipe dimension 2"	560.6004.034	918.93 €	1,093.53 €
<b>Pipe unit, PN 10</b> , assembled completely, consisting of: Console with brackets for wall mounting, Diaphragm pressure vessel 18 l, PN 10, Pressure gauge and pressure switch incl. 2 m cable for SPR frequency control			
Pipe dimension 1¼"	510.0011.004	565.28 €	672.68 €
Pipe dimension 1½"	510.0011.005	585.73 €	697.02 €
Pipe dimension 2"	510.0011.006	611.96 €	728.23 €
<b>Pipe unit, PN 16</b> , assembled completely, consisting of: Console with brackets for wall mounting, Diaphragm pressure vessel 18 l, PN 10, Pressure gauge and pressure switch incl. 2 m cable for SPR frequency control			
Pipe dimension 1¼"	510.0012.004	565.28 €	672.68 €
Pipe dimension 1½"	510.0012.005	585.73 €	697.02 €
Pipe dimension 2"	510.0012.006	611.96 €	728.23 €

# Pumpmeister PM



## Piston pumps

### Field of application

- > Water supply
- > Agriculture
- > Rainwater utilisation
- > Industry
- > Shipping

### Design

#### Pumpmeister:

Piston pump completely assembled with electrically isolated motor drawn rocker, electric motor, V-belt, V-belt pulley and guard, membrane safety valve (type tested), poppet valve and base plate.

#### Domestic waterwork with horizontal pressure vessel:

Pumpmeister piston pump with built-in membrane safety valve (type tested), electric motor, galvanised pressure vessel, pre-programmed pressure switch, pressure gauge, ventilation machine and completely closed belt guard made from plastic for your safety.

### Motor

Protection class: ..... IP 55  
Class of insulation: ..... F  
Voltage: ..... 3~ 400/230 V  $\pm$  10 %  
Motor speed: ..... 1450 rpm  
Frequency: ..... 50 Hz

### Special editions

- > Saline water
- > Higher performances

### Technical data

Flow rate: ..... Q max. 3 m<sup>3</sup>/h  
Total dynamic head: ..... H max. 60 m  
Vessel operating pressure, normal/max: ..... 4/6 bar

### Pumped fluid

Pure, cold water as well as fluids which don't chemically and mechanically attack the pump materials.

### Materials used

Housing: ..... GG 20  
Crank shaft: ..... steel, drop-forged  
Crosshead: ..... precision ground  
Piston rod: ..... stainless steel, rolled  
Cylinder liner: ..... brass/stainless steel  
Dual piston: ..... simrit  
Valve: ..... brass

### Type key

#### PM 15/200

PM: ..... pump type  
15: ..... pump size  
200: ..... vessel volume





### Technical data

Type	Inlet connection (Rp)	Outlet connection (R)	Flow rate (m³/h)	Operating pressure normal/max. (bar)	Cut-out pressure normal/max. (bar)	Power output P <sub>2</sub> (kW) 4 bar/6 bar	Weight with/without motor 4 bar ca. (kg)
Pumpmeister PM 10	1	1	1.00	4/6	3.5/5.5	0.25/0.37	23.00/28.00
Pumpmeister PM 15	1	1	1.50	4/6	3.5/5.5	0.37/0.55	24.00/31.00
Pumpmeister PM 20	1 ¼	1	2.00	4/6	3.5/5.5	0.37/0.55	33.00/40.00
Pumpmeister PM 30	1 ¼	1 ¼	3.00	4/6	3.5/5.5	0.75/1.10	55.00/64.00

Type	Vessel volume (l)	Flow rate (m³/h)	Power output P <sub>2</sub> (kW) 3~ 400 V 4 bar/6 bar	Space requirement L x B x H (cm)	Weight (kg)
Domestic waterwork PM 10	150	1.00	0.25/0.37	105 x 45 x (84)*	70.00
Domestic waterwork PM 15	150	1.50	0.37/0.55	105 x 45 x (89)*	71.00
Domestic waterwork PM 15	200	1.50	0.37/0.55	107 x 50 x (94)*	83.00
Domestic waterwork PM 20	200	2.00	0.37/0.55	107 x 50 x (95)*	92.00
Domestic waterwork PM 20	300	2.00	0.37/0.55	140 x 55 x (98)*	97.00
Domestic waterwork PM 30	300	3.00	0.75/1.10	140 x 55 x (120)*	120.00

\* 6 bar design on request

### Motor data

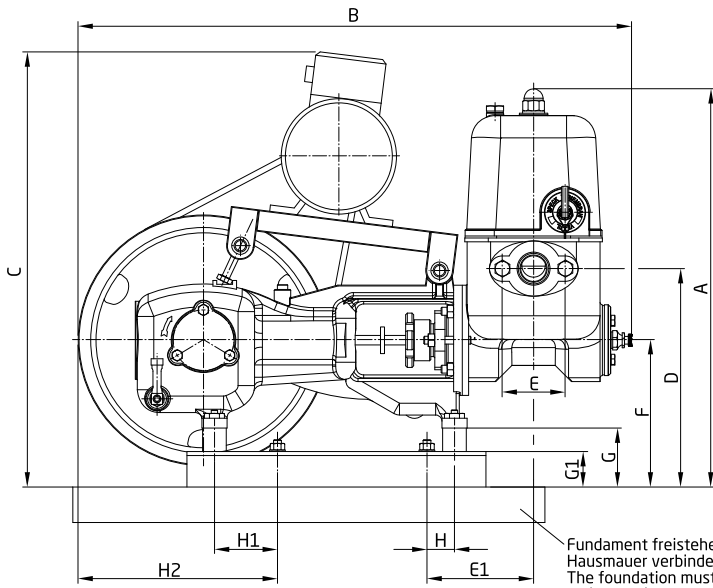
P <sub>2</sub> [kW]	0.25	0.37	0.55	0.75	
I <sub>N</sub> [A]	3~ 230/400 V	1.40/0.80	1.85/1.05	2.40/1.39	3.05/1.75

### Order information

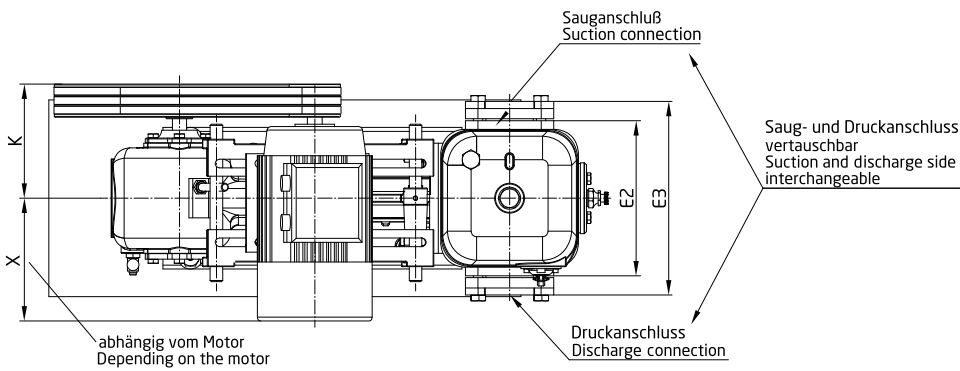
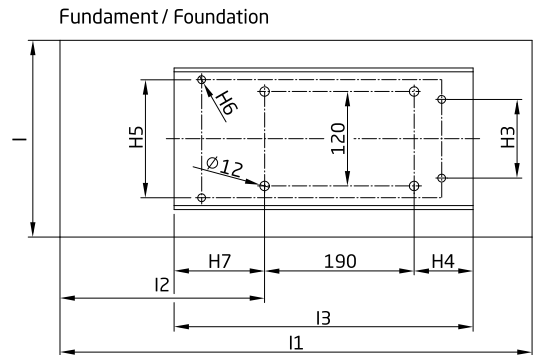
Type	Article no.		Net RRP	Gross RRP
Pumpmeister PM 10, Dr., 4 bar, 0.25 kW	410.1000.007	X	1,424.86 €	1,695.58 €
Pumpmeister PM 10, Dr., 6 bar, 0.37 kW	410.1000.607		1,448.10 €	1,723.24 €
Pumpmeister PM 15, Dr., 4 bar, 0.37 kW	410.1500.007	X	1,557.96 €	1,853.97 €
Pumpmeister PM 15, Dr., 6 bar, 0.55 kW	410.1500.607		1,631.87 €	1,941.93 €
Pumpmeister PM 20, Dr., 4 bar, 0.37 kW	410.2000.007	X	1,726.95 €	2,055.07 €
Pumpmeister PM 20, Dr., 6 bar, 0.55 kW	410.2000.607		1,797.71 €	2,139.27 €
Pumpmeister PM 30, Dr., 4 bar, 0.55 kW	410.3000.007	X	2,276.19 €	2,708.67 €
Pumpmeister PM 30, Dr., 6 bar, 0.75 kW	410.3000.607		2,311.05 €	2,750.15 €
Domestic waterwork PM 10 (150 l), Dr., 4 bar, 0.25 kW	410.1015.007	X	2,842.99 €	3,383.16 €
Domestic waterwork PM 15 (150 l), Dr., 4 bar, 0.37 kW	410.1515.007	X	2,963.10 €	3,526.09 €
Domestic waterwork PM 15 (200 l), Dr., 4 bar, 0.37 kW	410.1520.007	X	3,211.74 €	3,821.97 €
Domestic waterwork PM 20 (200 l), Dr., 4 bar, 0.37 kW	410.2020.007	X	3,361.87 €	4,000.63 €
Domestic waterwork PM 20 (300 l), Dr., 4 bar, 0.37 kW	410.2030.027	X	3,841.30 €	4,571.15 €
Domestic waterwork PM 30 (300 l), Dr., 4 bar, 0.75 kW	410.3030.027	X	4,384.00 €	5,216.96 €
Domestic waterwork PM 10 (150 l), Dr., 6 bar, 0.37 kW	410.1015.617		3,210.52 €	3,820.52 €
Domestic waterwork PM 15 (150 l), Dr., 6 bar, 0.55 kW	410.1515.617		3,402.70 €	4,049.21 €
Domestic waterwork PM 15 (200 l), Dr., 6 bar, 0.55 kW	410.1520.617		3,710.19 €	4,415.13 €
Domestic waterwork PM 20 (200 l), Dr., 6 bar, 0.55 kW	410.2020.617		3,874.73 €	4,610.93 €
Domestic waterwork PM 20 (300 l), Dr., 6 bar, 0.55 kW	410.2030.637		4,354.15 €	5,181.44 €
Domestic waterwork PM 30 (300 l), Dr., 6 bar, 1.10 kW	410.3030.637		4,847.62 €	5,768.67 €

X = Warehouse goods, can be dispatched immediately

## Dimensions



Fundament freistehend, nicht mit der Hausmauer verbinden.  
The foundation must be free standing and not to be mounted to a wall.



## Pump

Type	A	B	C	D	E	E1	E2	E3	F	K	DNS	DND
PM 10	358	526	*	201	54	123.5	155	196	136	110	G1	G1
PM 15	383	525	*	194	70	122	155	200	136	110	G1	G1
PM 20	416	620	*	209	70	121	170	215	140	130	G 1¼	G1
PM 30	510	690	*	275	80	135	195	240	185	145	G 1¼	G 1¼

\*) C depends on the motor

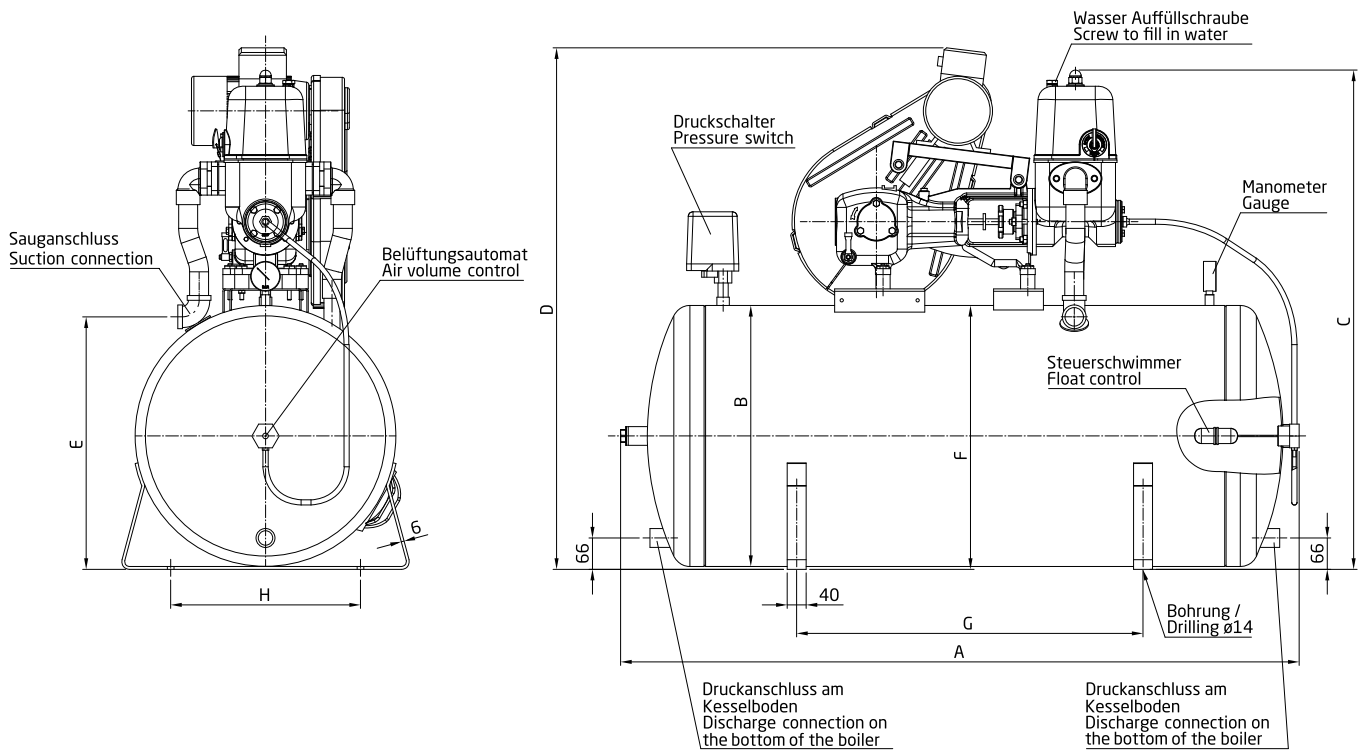
Dimensions for 6 bar design on request.

## Foundations

Type	G	G1	H	H1	H2	H3	H4	H5	H6	H7	I	I1	I2	I3
PM 10	70	40	40	35	105	90	60	110	Ø7	60	250	450	130	310
PM 15	70	40	40	35	105	90	60	110	Ø7	60	250	450	130	310
PM 20	70	40	23	70	192.5	92.5	55	140	Ø7	115	270	520	220	360
PM 30	75	45	35	80	260	100	75	150	Ø12	115	320	600	290	380



## Dimensions



## Domestic waterwork

Vessel volume		PM 10	PM 15	PM 20	PM 30								
Litre	A	B	C	C	C	D	E	F	G	H	DNS	DND	
150	1110	450	830	826	860	-	*	440	460	600	300	G1	G1
200	1230	500	880	876	910	-	*	500	510	600	350	G 1¼	G1
300	1430	550	-	936	960	1065	*	540	560	730	400	G 1¼	G1

\*) D depends on the motor

Dimensions for 6 bar design on request.

# Büffelpumpe BS



## Piston pumps

### Field of application

- > Water supply
- > Agriculture
- > Rainwater utilisation
- > Industry
- > Shipping

### Design

#### Büffelpumpe:

Piston pump completely assembled with electrically isolated motor drawn rocker, electric motor, V-belt, V-belt pulley and guard, membrane safety valve (type tested) and poppet valve.

#### Domestic waterwork with horizontal pressure vessel:

Büffel piston pump with built-in membrane safety valve (type tested), electric motor, galvanised pressure vessel, pre-programmed pressure switch, pressure gauge, ventilation machine and completely closed belt guard made from plastic for your safety.

### Motor

Protection class: ..... IP 55  
 Class of insulation: ..... F  
 Voltage: ..... 3~ 400/230 V ± 10 %  
 Motor speed: ..... 1450 rpm  
 Frequency: ..... 50 Hz

### Special editions

- > Saline water
- > Higher performances

### Technical data

Flow rate: ..... Q max. 5 m<sup>3</sup>/h  
 Total dynamic head: ..... H max. 60 m  
 Vessel operating pressure, normal/max: ..... 4/6 bar

### Pumped fluid

Pure, cold water as well as fluids which don't chemically and mechanically attack the pump materials.

### Materials used

Housing: ..... GG 20  
 Crank shaft: ..... steel, drop-forged  
 Crosshead: ..... precision ground  
 Piston rod: ..... stainless steel, rolled  
 Cylinder liner: ..... brass/stainless steel  
 Dual piston: ..... simrit  
 Valve: ..... brass

### Type key

#### BS 25/200

BS: ..... pump type  
 25: ..... pump size  
 200: ..... vessel volume



### Technical data

Type	Inlet connection (Rp)	Outlet connection (R)	Flow rate (m³/h)	Operating pressure normal/max. (bar)	Cut-out pressure normal/max. (bar)	Power output P <sub>2</sub> (kW) 4 bar/6 bar	Weight with/without motor, 4 bar ca. (kg)
Büffelpumpe BS 15	1	1	1,50	4/6	3,5/5,5	0,37/0,55	28,00/35,00
Büffelpumpe BS 25	1¼	1	2,50	4/6	3,5/5,5	0,55/0,75	46,00/55,00
Büffelpumpe BS 40	1½	1¼	4,00	4/6	3,5/5,5	0,75/1,10	66,00/80,00
Büffelpumpe BS 50	2	1½	5,00	4/6	3,5/5,5	1,10/1,50	90,00/106,00

Type	Vessel volume (l)	Flow rate (m³/h)	Power output P <sub>2</sub> (kW) 3~ 400 V 4 bar/6 bar	Space requirement L x B x H (cm)	Weight (kg)
Domestic waterwork BS 15	150	1.50	0.37/0.55	105 x 45 x (84)*	75.00
Domestic waterwork BS 15	200	1.50	0.37/0.55	107 x 50 x (85)*	87.00
Domestic waterwork BS 25	200	2.50	0.55/0.75	107 x 50 x (100)*	105.00
Domestic waterwork BS 30	300	2,50	0,55/0,75	140 x 55 x (110)*	110,00

### Motor data

P <sub>2</sub> [kW]	0.37	0.55	0.75	1.10	1.50	
I <sub>N</sub> [A]	3~ 230/400 V	1.85/1.05	2.40/1.39	3.05/1.75	4.25/2.40	5,60/3.15

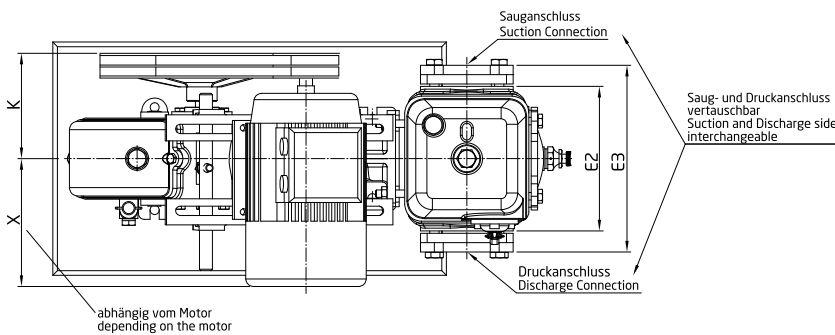
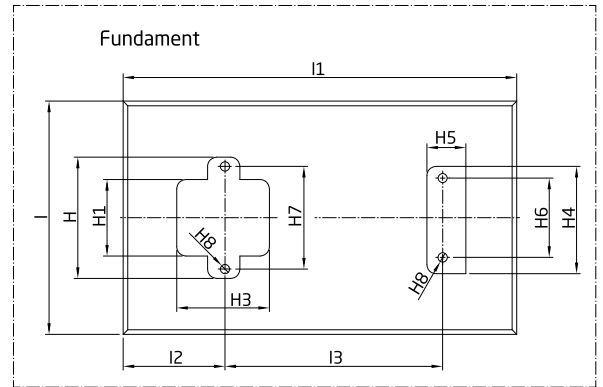
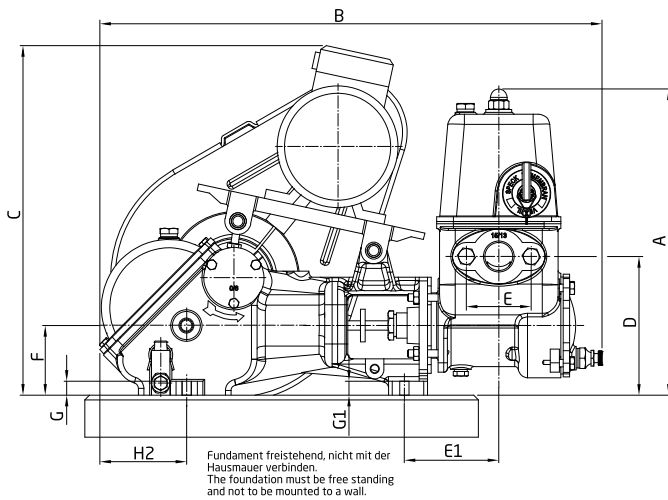
### Order information

Type	Article no.		Net RRP	Gross RRP
Büffelpumpe BS 15, 3~, 4 bar, 0.37 kW	420.1500.007	X	2,156.85 €	2,566.65 €
Büffelpumpe BS 15, 3~, 6 bar, 0.55 kW	420.1500.607		2,226.55 €	2,649.59 €
Büffelpumpe BS 25, 3~, 4 bar, 0.55 kW	420.2500.007	X	2,696.59 €	3,208.94 €
Büffelpumpe BS 25, 3~, 6 bar, 0.75 kW	420.2500.607		2,733.56 €	3,252.94 €
Büffelpumpe BS 40, 3~, 4 bar, 0.75 kW	420.4000.007	X	3,507.77 €	4,174.25 €
Büffelpumpe BS 40, 3~, 6 bar, 1.10 kW	420.4000.607		3,633.46 €	4,323.82 €
Büffelpumpe BS 50, 3~, 4 bar, 1.10 kW	420.5000.007	X	4,919.97 €	5,854.76 €
Büffelpumpe BS 50, 3~, 6 bar, 1.50 kW	420.5000.607		5,028.75 €	5,984.21 €
Domestic waterwork BS 15 (150 l), 3~, 4 bar, 0.37 kW	420.1515.007	X	3,548.04 €	4,222.17 €
Domestic waterwork BS 15 (200 l), 3~, 4 bar, 0.55 kW	420.1520.007	X	3,799.07 €	4,520.89 €
Domestic waterwork BS 25 (200 l), 3~, 4 bar, 0.55 kW	420.2520.007	X	4,290.32 €	5,105.48 €
Domestic waterwork BS 25 (300 l), 3~, 4 bar, 0.55 kW	420.2530.027	X	4,769.74 €	5,675.99 €
Domestic waterwork BS 15 (150 l), 3~, 6 bar, 0.55 kW	420.1515.617		3,994.84 €	4,753.86 €
Domestic waterwork BS 15 (200 l), 3~, 6 bar, 0.55 kW	420.1520.617		4,296.33 €	5,112.63 €
Domestic waterwork BS 25 (200 l), 3~, 6 bar, 0.75 kW	420.2520.617		4,753.94 €	5,657.19 €
Domestic waterwork BS 25 (300 l), 3~, 6 bar, 0.75 kW	420.2530.637		5,233.36 €	6,227.70 €

Water extraction

X = Warehouse goods, can be dispatched immediately

## Dimensions



## Pump

Type	A	B	C	D	E	E1	E2	E3	F	K	DNS	DND
BS 15	329	545	*	149	70	105	155	200	75	113	G 1	G 1
BS 25	377	667	*	192	70	119	170	215	94	121	G 1¼	G 1
BS 40	417	771	*	208	80	148	190	239	104	135	G 1½	G 1¼
BS 50	460	860	*	246	85	171.5	226	281	123	160	G 2	G 1½

\*) C depends on the motor

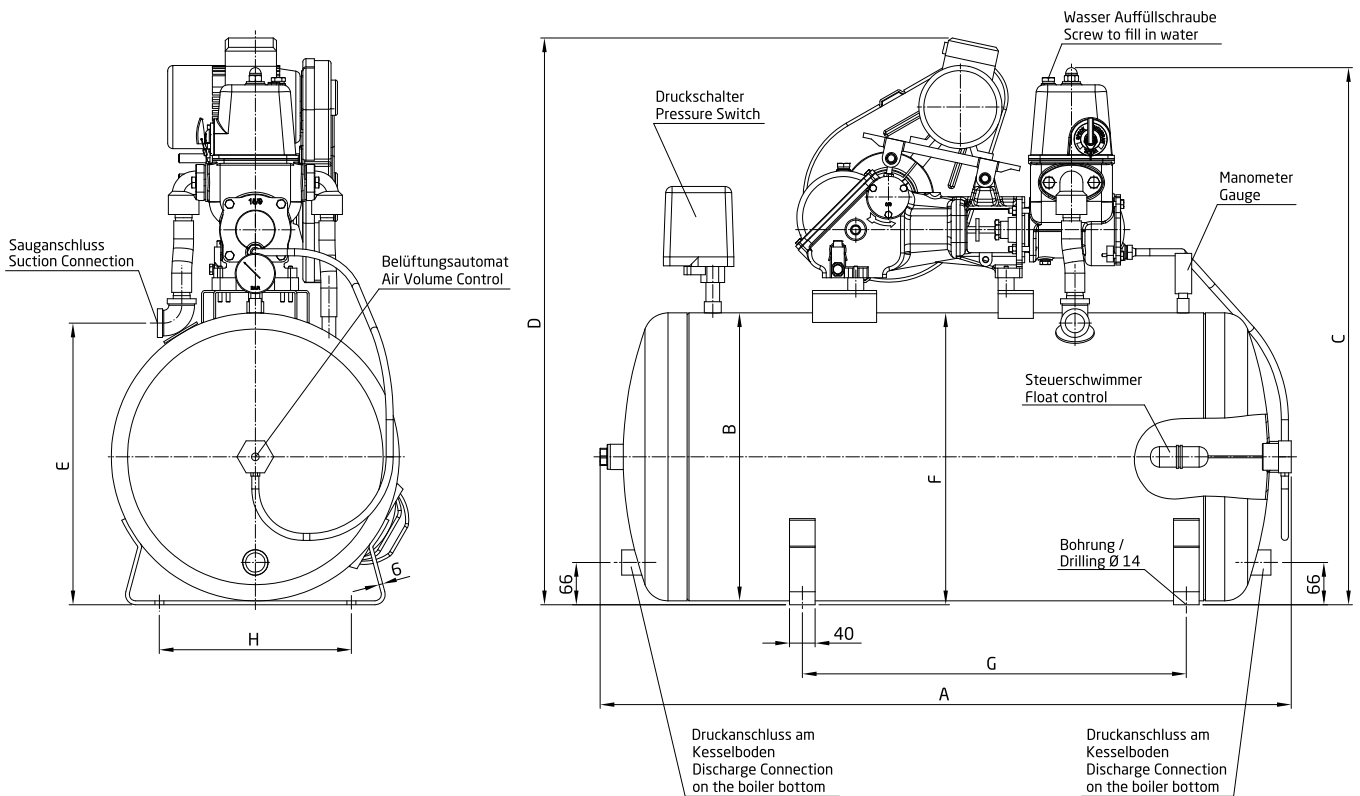
Dimensions for 6 bar design on request.

## Foundations

Type	G	G1	H	H1	H2	H3	H4	H5	H6	H7	H8	I	I1	I2	I3
BS 15	15	15	130	82	95	100	110	42	85	110	10	250	425	110	235
BS 25	16	16	148	94	121	130	135	48	108	120	12	300	550	170	307
BS 40	20	16	175	114	149	160	117	70	90	140	14	300	600	180	335
BS 50	19	19	200	100	163	190	130	90	95	165	14	350	650	180	380



## Dimensions



## Domestic waterwork

Vessel volume	BS 15		BS 25									
Litre	A	B	C	C	D	E	F	G	H	DNS	DND	
150	1110	450	842	-	*	440	460	600	300	G1	G1	
200	1230	500	892	949	*	500	510	600	350	G 1¼	G1	
300	1430	550	942	998	*	540	560	730	400	G 1¼	G1	

\*) D depends on the motor

Dimensions for 6 bar design on request.





# Product overview

## Rainwater utilisation



---

**SG/SGM (DA)/Speckmat**  
Performance: up to 4 m<sup>3</sup>/h  
**Page 168**



---

**ZIS**  
Performance: up to max. 4,8 m<sup>3</sup>/h  
**Page 172**



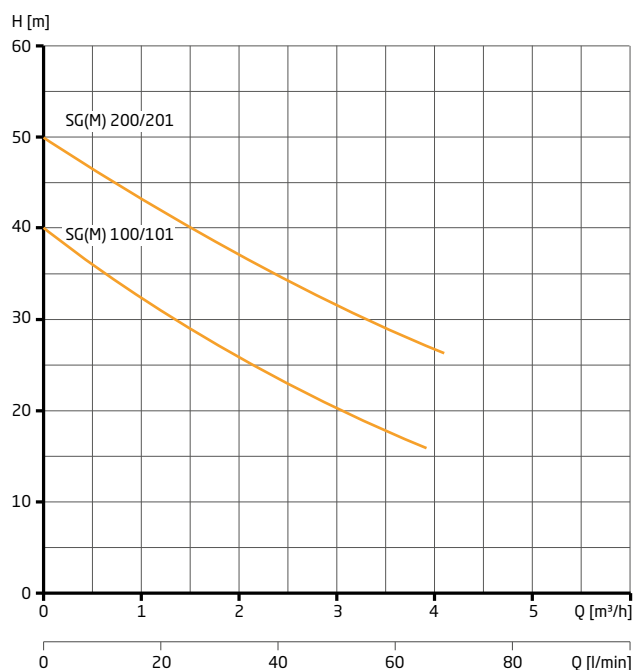
---

**Zismatic**  
Performance: up to max. 4 m<sup>3</sup>/h  
**Page 174**





## Characteristics



## Technical data

Type	Inlet connection	Outlet connection	Power output P <sub>2</sub> (kW) 400/230 V	Rated current (A) 3~ 400 V	Rated current (A) 1~ 230 V	Weight (kg)
SG/SGM 100	Rp 1¼	Rp 1	0.60/0.75	1.90	4.40	10.50
SG/SGM 200	Rp 1¼	Rp 1	0.88/0.90	2.10	6.50	13.00
SGM-Speckmat 101	Rp 1¼	R 1	0.60/0.75	-	4.40	12.50
SGM-Speckmat 201	Rp 1¼	R 1	0.88/0.90	-	6.50	15.00
SG-DA/SGM-DA 101	Rp 1¼	Rp 1	0.60/0.75	1.90	4.40	16.50
SG-DA/SGM-DA 201	Rp 1¼	Rp 1	0.88/0.90	2.10	6.50	20.00

Type	Starting pressure (bar)	Max. operating pressure (bar)	Max. fluid temperature (°C)	Voltage (V)	Max. rated current (A)	Protection class (IP)	Weight (kg)
Speckmat 1	2.20	10	65	1~ 230 V	10.00	65	1.60
Speckmat 2	3.00	12	60	1~ 230 V	16.00	65	2.80

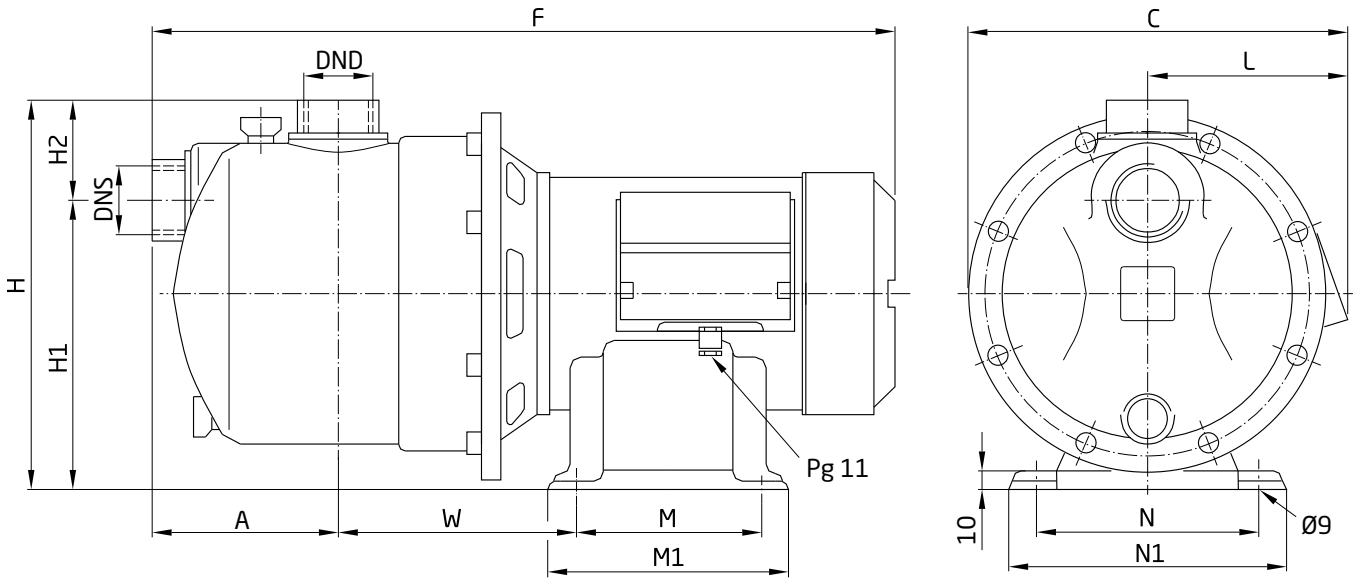
## Order information

Type	Article no.		Net RRP	Gross RRP
SG 100	640.0100.037	X	445.60 €	530.26 €
SGM 100	640.0100.038	X	425.32 €	506.13 €
SG 200	640.0200.037A	X	659.86 €	785.23 €
SGM 200	640.0200.038	X	643.87 €	766.21 €
SGM-Speckmat 101	569.8330.000	X	590.57 €	702.78 €
SGM-Speckmat 201	569.8530.000	X	806.97 €	960.29 €
SG-DA 101	569.8410.000	X	826.16 €	983.13 €
SGM-DA 101	569.8310.000	X	771.77 €	918.41 €
SG-DA 201	569.8610.000	X	1,043.63 €	1,241.92 €
SGM-DA 201	569.8510.000	X	995.65 €	1,184.82 €
Speckmat 1 1"	569.8003.450		164.94 €	196.28 €
Speckmat 2 1 1/4"	569.8003.500		305.25 €	363.25 €
Foot valve 1 1/4"	507.2200.032		124.25 €	147.86 €
Non-return valve 1 1/4"	507.2300.032		82.47 €	98.14 €

X = Warehouse goods, can be dispatched immediately

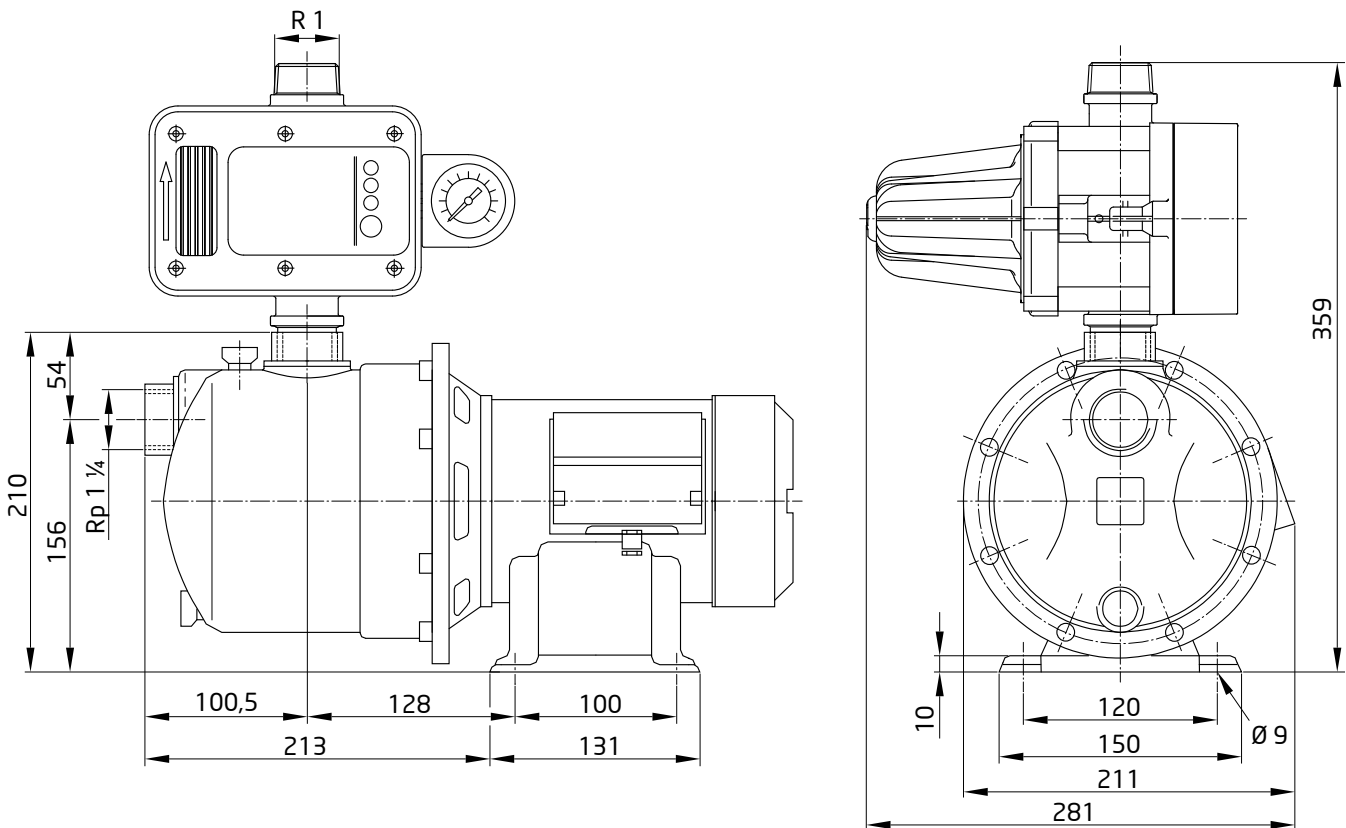
## Dimensions

### SG/SGM



Type	A	C	F	H	H1	H2	L	M	M1	N	N1	W	DNS	DND
SG(M) 100	100.5	211	396	210	156	54	107	100	131	120	150	128	Rp 1¼	Rp 1
SG(M) 200	100.5	211	438	210	156	54	107	100	131	120	150	143	Rp 1¼	Rp 1

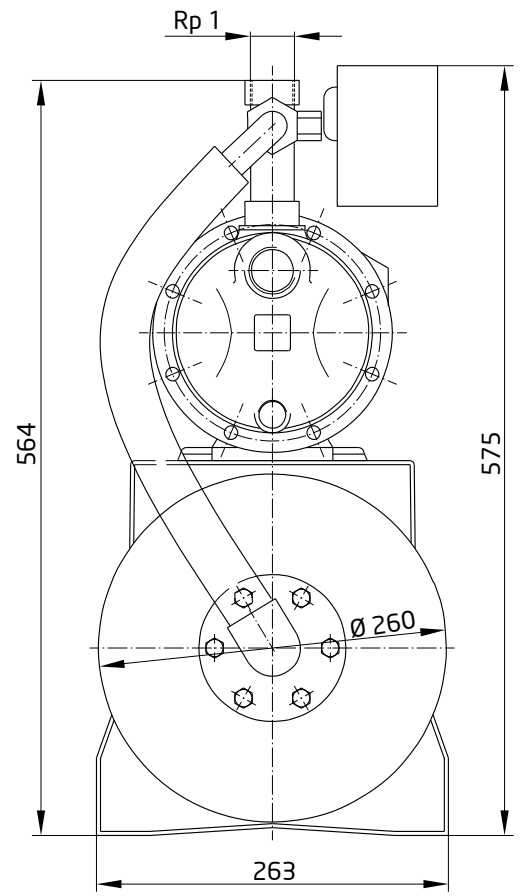
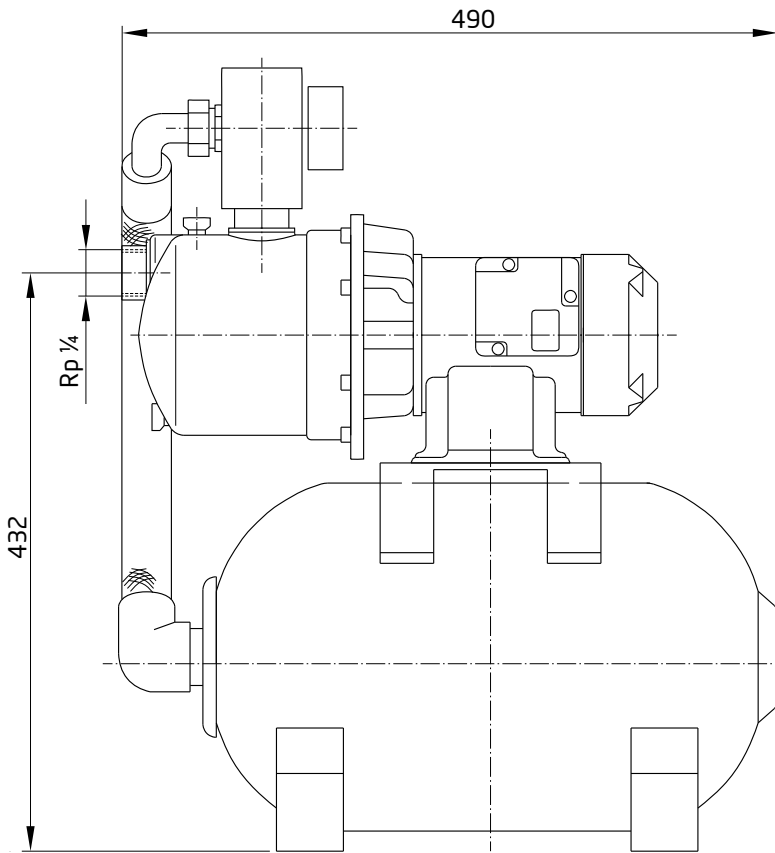
### SGM-Speckmat





Dimensions

SG-DA/SGM-DA





## Cistern pump

### Field of application

- > Irrigation
- > Rainwater utilisation

### Design

Multistage borehole pump (cistern pump) made from corrosion-resistant stainless steel/plastic. Motor with built-in thermal overload protection. Wired ready for connection with 20 m cable and shock proof plug.

### Motor

Protection class: ..... IP 68  
 Class of insulation: ..... F  
 Voltage: ..... 1~ 230 V ± 10 %  
 Motor speed: ..... 2850 rpm  
 Frequency: ..... 50 Hz

### Technical data

Flow rate: ..... Q up to max. 4,8 m<sup>3</sup>/h  
 Total dynamic head: ..... H up to max. 85 m  
 Fluid temperature: ..... t 5 °C to 35 °C  
 Impeller grain size: ..... 2.5 mm

### Pumped fluid

Clear fluids which don't chemically and mechanically attack the pump materials.

### Materials used

Pump housing: ..... stainless steel AISI 304  
 Stages/impellers: ..... PPE + PS glass fibre reinforced  
 Shaft: ..... stainless steel AISI 431  
 Shaft seal: ..... 2 seals in oil tank  
 O-rings: ..... NBR  
 Cable: ..... H07RN-F

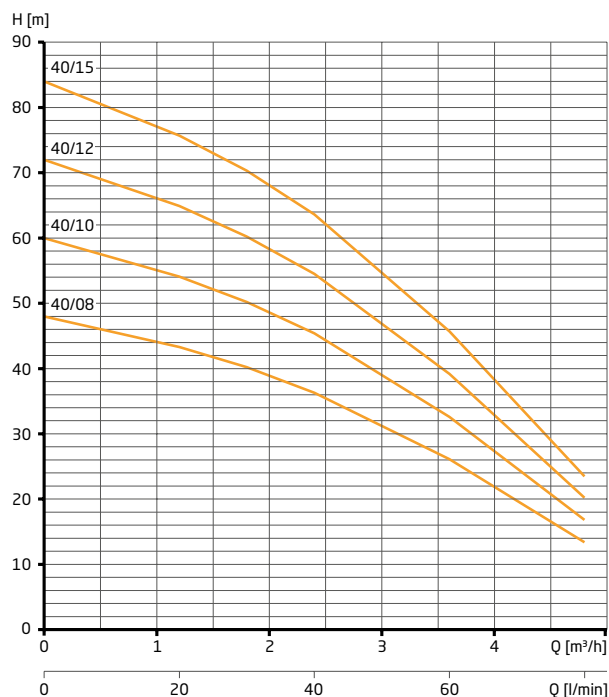
### Type key

#### ZIS 40/10 WES

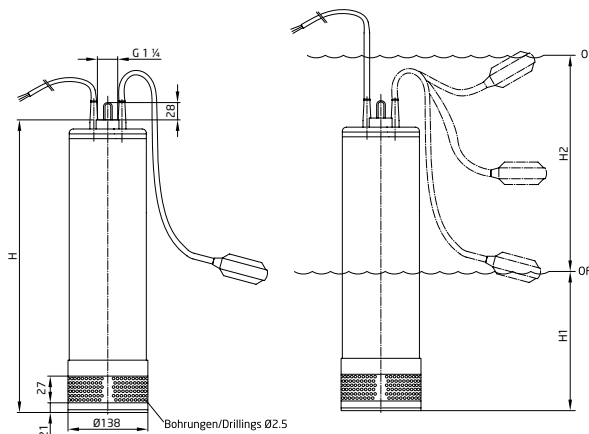
ZIS: ..... pump range  
 40: ..... pump size  
 10: ..... number of stages  
 WES: ..... single phase with float switch



## Characteristics



## Dimensions



Type	H	H1	H2
ZIS 40/08	513	180	560
ZIS 40/10	539	190	590
ZIS 40/12	590	220	660
ZIS 40/15	616	240	730

## Technical data

Type	Outlet connection (Rp)	Cable length (m)	Power output P <sub>2</sub> (kW)	Rated current (A) 1 x 230 V	Weight (kg)
ZIS 40/08 WES	1 1/4	20	0.60	4.30	15.00
ZIS 40/10 WES	1 1/4	20	0.75	5.70	16.00
ZIS 40/12 WES	1 1/4	20	0.90	6.80	17.00
ZIS 40/15 WES	1 1/4	20	1.10	7.30	18.00

Type	Starting pressure (bar)	Max. operating pressure (bar)	Max. fluid temperature (°C)	Voltage (V)	Max. rated current (A)	Protection class (IP)	Weight (kg)
Speckmat 1	2.20	10	65	1~ 230 V	10.00	65	1.60
Speckmat 2	3.00	12	60	1~ 230 V	16.00	65	2.80

## Order information

Type	Article no.		Net RRP	Gross RRP
ZIS 40/08 WES	640.4008.038	X	826.16 €	983.13 €
ZIS 40/10 WES	640.4010.038	X	884.79 €	1,052.90 €
ZIS 40/12 WES	640.4012.038	X	923.16 €	1,098.56 €
ZIS 40/15 WES	640.4015.038	X	966.87 €	1,150.58 €

## Accessoires

Type	Article no.	Connection	Net RRP	Gross RRP
Speckmat 1	569.8003.450	R 1	164.94 €	196.28 €
Speckmat 2	569.8003.500	R 1 1/4	305.25 €	363.25 €
Diaphragm vessel DD 18, 18 litre, max. 10 bar	505.4100.018	R 3/4	126.67 €	150.74 €
Diaphragm vessel 18 litre, max. 10 bar, stainless steel	505.5100.019	R 3/4	305.70 €	363.78 €

X = Warehouse goods, can be dispatched immediately



## Cistern pumps

### Field of application

- > Irrigation
- > Rainwater utilisation

### Ausführung

Multistage borehole pump (cistern pump) made from corrosion-resistant stainless steel/plastic, including non-return valve, pressure switch and dry run protection. Motor with built-in thermal overload protection. Wired ready for connection with 15 m cable and shock proof plug. Pump including diaphragm pressure vessel with 0.1 l rated volume.

### Motor

Protection class: ..... IP 68  
 Class of insulation: ..... F  
 Voltage: ..... 1~ 230 V ± 10 %  
 Motor speed: ..... 2850 rpm  
 Frequency: ..... 50 Hz

### Technical data

Flow rate: ..... Q up to max. 4 m<sup>3</sup>/h  
 Total dynamic head: ..... H up to max. 63 m  
 Fluid temperature: ..... t 5 °C to 35 °C  
 Impeller grain size: ..... 2 mm

### Pumped fluid

Clear fluids which don't chemically and mechanically attack the pump materials.

### Materials used

Pump housing: ..... stainless steel AISI 304  
 Stages: ..... technopolymer  
 Impellers: ..... stainless steel AISI 304  
 Pump shaft: ..... stainless steel AISI 431  
 Shaft seal: ..... mechanical seal  
 O-rings: ..... NBR  
 Cable: ..... H07RN-F

### Type key

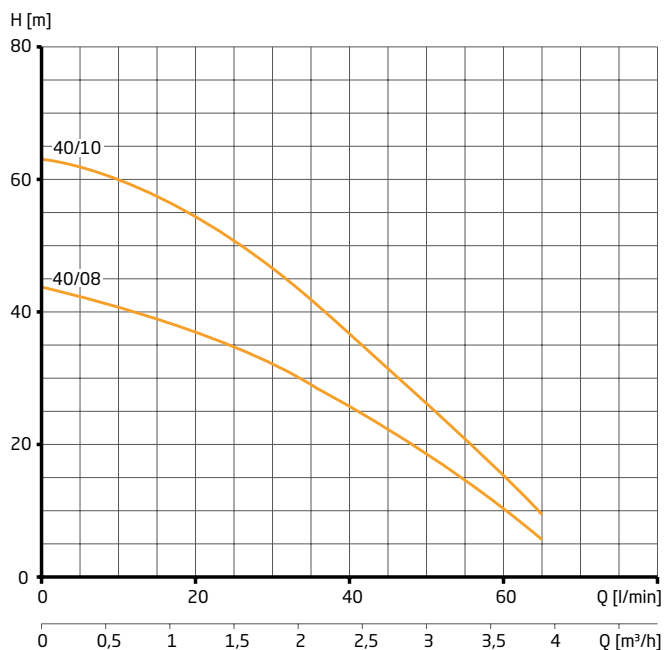
#### Zismatic 40/10 WE

Zismatic: ..... pump range  
 40: ..... pump size  
 10: ..... number of stages  
 WE: ..... single phase

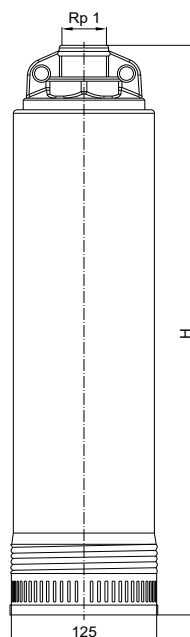




### Characteristics



### Dimensions



Type	H
Zismatic 40/08	502
Zismatic 40/10	569

### Technical data

Type	Outlet connection (Rp)	Cable length (m)	Start-up pressure (bar)	Power output P <sub>2</sub> (kW)	Rated current (A) 1 x 230 V	Weight (kg)
ZISMATIC 40/08 WE	1	15	2.00	0.55	3.60	10.60
ZISMATIC 40/10 WE	1	15	3.00	0.90	6.20	12.40
Floating discharge						2.20

### Order information

Type	Article no.		Net RRP	Gross RRP
ZISMATIC 40/08 WE (inc. 0.1 litre diaphragm pressure vessel)	601.0400.828	X	849.61 €	1,011.04 €
ZISMATIC 40/10 WE (inc. 0.1 litre diaphragm pressure vessel)	601.0401.028	X	930.63 €	1,107.45 €
Floating discharge	601.0000.010		191.88 €	228.34 €

X = Warehouse goods, can be dispatched immediately



Drainage



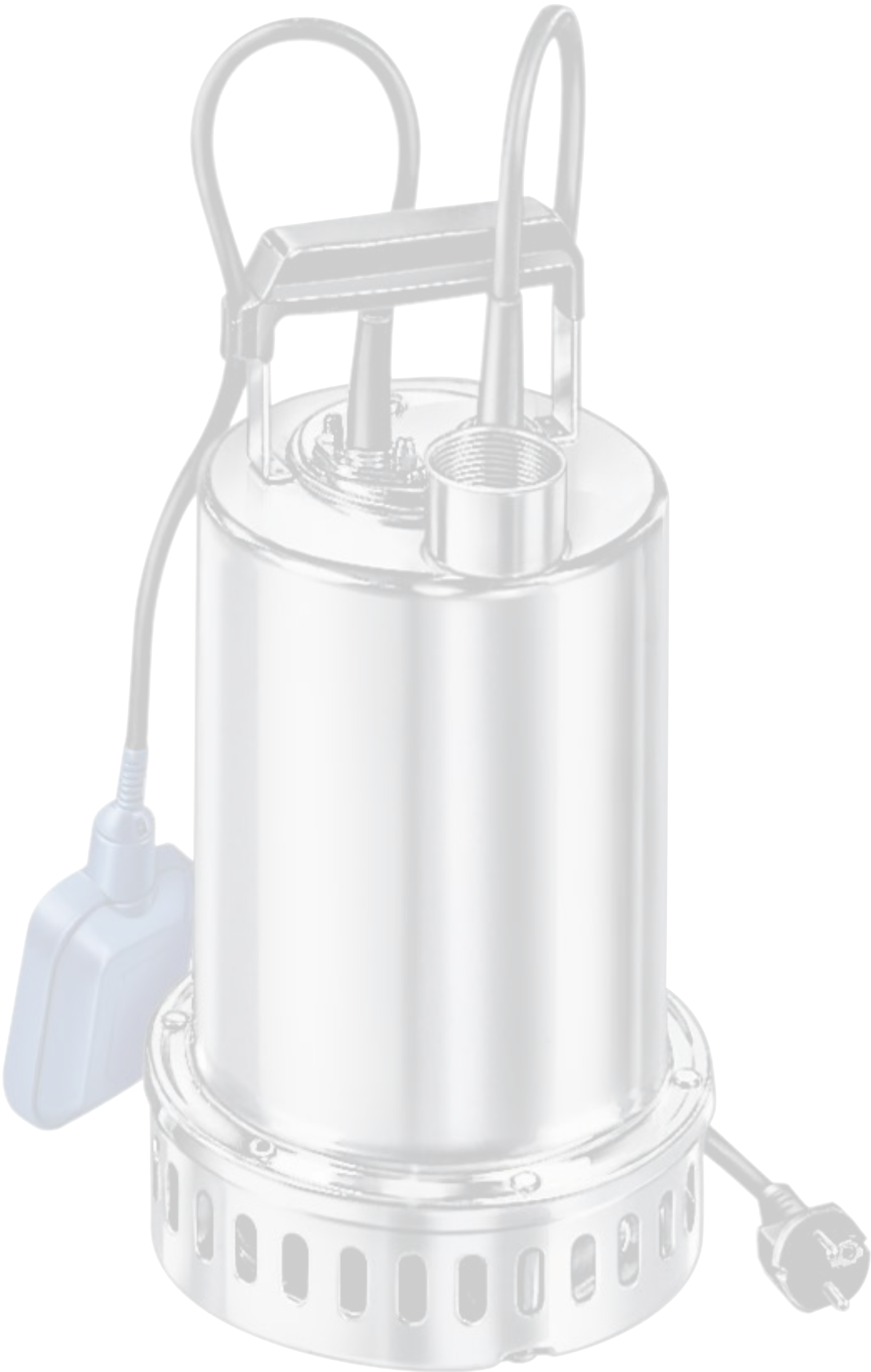
---

# WATER DISPOSAL

---

**Drainage**

**178**



# Product overview

## Drainage



---

### TOP 71

Performance: up to max. 10 m<sup>3</sup>/h

Page 180



---

### TOP 72-80

Performance: up to max. 21.5 m<sup>3</sup>/h

Page 182



---

### TOP 90-300

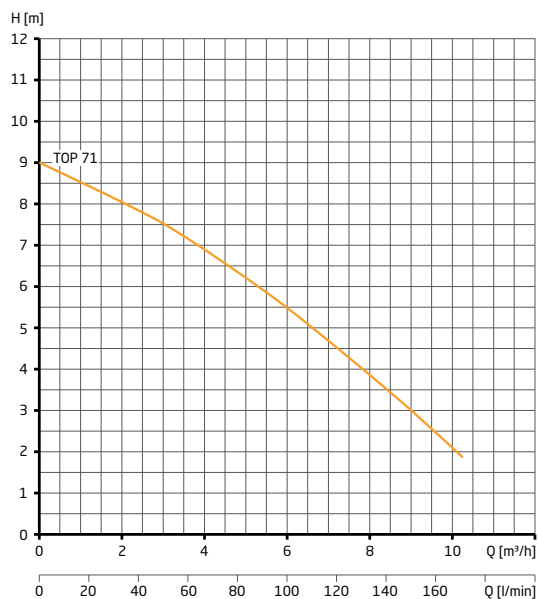
Performance: up to max. 48 m<sup>3</sup>/h

Page 184

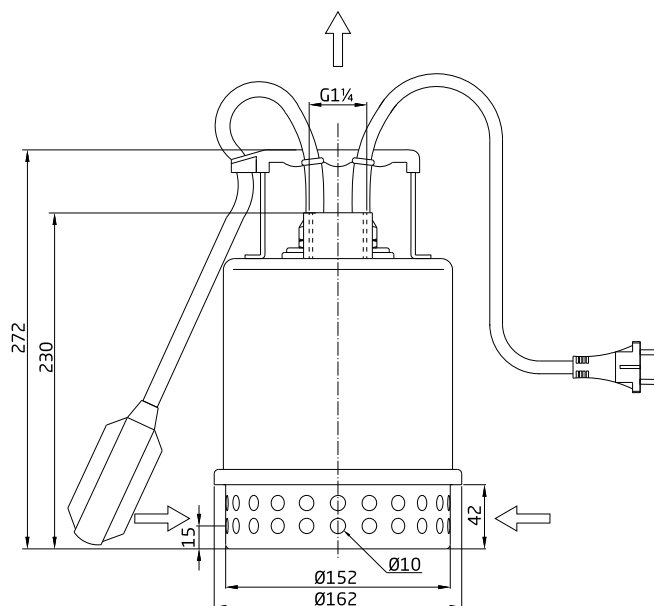




### Characteristics



### Dimensions



### Technical data

Type	Pipe connection (Rp)	Power output P <sub>2</sub> (kW)	Rated current (A) 3~ 400 V	Rated current (A) 1 x 230 V	Weight (kg)
TOP 71 W/WS	1/4	0.25	-	2.20	5.10/5.90
TOP 71 D	1/4	0.25	0.93	-	5.10

### Order information

Type	Article no.	Net RRP	Gross RRP
TOP 71 W	642.0100.428	421.07 €	501.07 €
TOP 71 WS	642.0100.438	438.13 €	521.37 €
TOP 71 D	642.0100.407	492.00 €	585.48 €
Flat suction device	642.0199.000	62.89 €	74.84 €
Float holder	600.0000.036	96.69 €	115.06 €

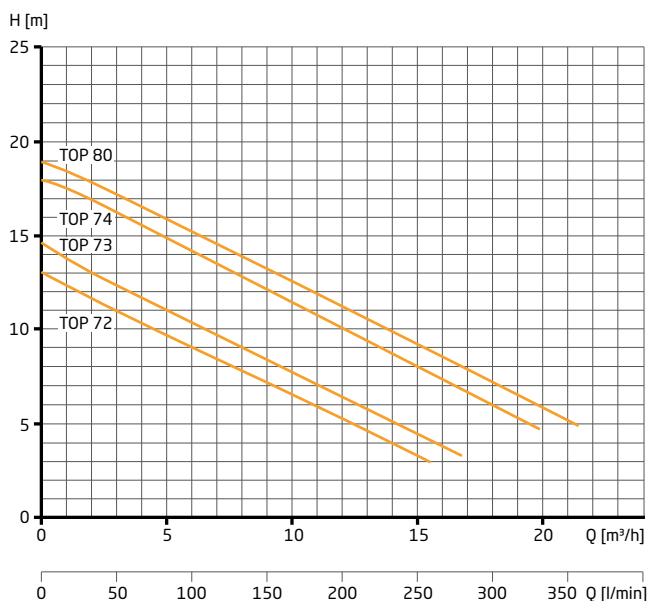
**X** = Warehouse goods, can be dispatched immediately



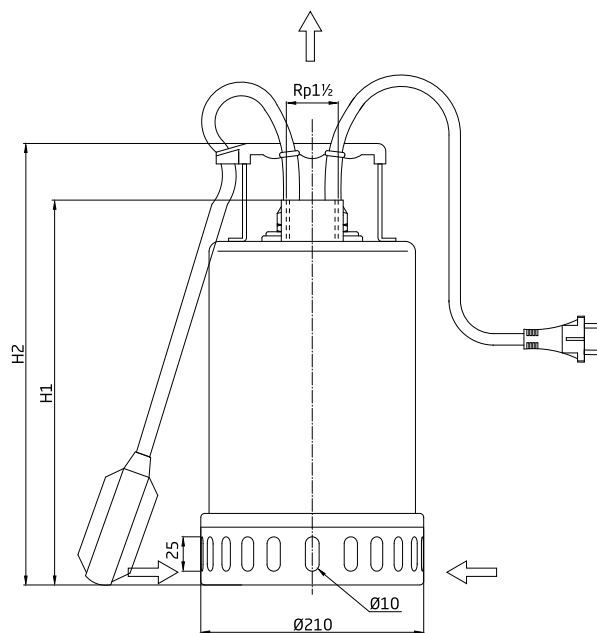




### Characteristics



### Dimensions



### Technical data

Type	Pipe connection (Rp)	Power output P <sub>2</sub> (kW)	Rated current (A) 3~ 400 V	Rated current (A) 1 x 230 V	H1 (mm)	H2 (mm)	Weight (kg)
TOP 72 D	1½	0.55	2.00	-	315	352	12.00
TOP 72 W/WS	1½	0.55	-	4.40	315	352	12.00/12.20
TOP 73 D	1½	0.75	2.40	-	315	352	12.70
TOP 73 W/WS	1½	0.75	-	5.60	315	352	12.70/12.90
TOP 74 D	1½	1.10	3.60	-	340	377	13.80
TOP 74 W/WS	1½	1.10	-	8.20	340	377	13.80/14.00
TOP 80 D	1½	1.50	4.20	-	340	377	14.50

### Order information

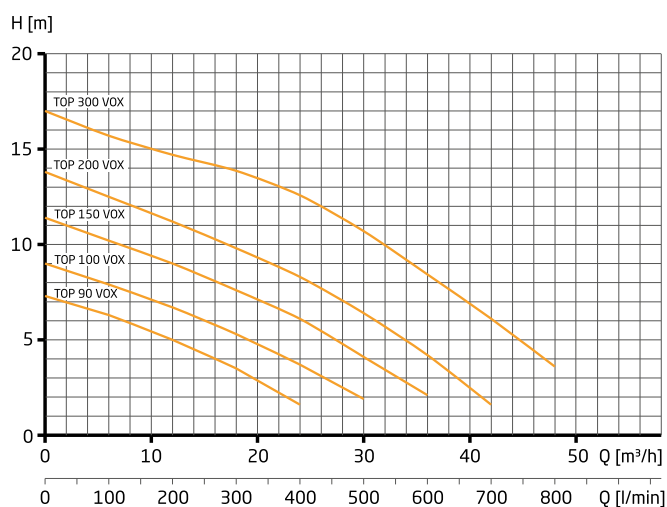
Type	Article no.		Net RRP	Gross RRP
TOP 72 D	642.0200.007	X	641.72 €	763.65 €
TOP 72 W	642.0200.008	X	614.00 €	730.66 €
TOP 72 WS	642.0200.018	X	631.08 €	750.99 €
TOP 73 D	642.0300.007	X	691.84 €	823.29 €
TOP 73 W	642.0300.008	X	683.32 €	813.15 €
TOP 73 WS	642.0300.018	X	709.95 €	844.84 €
TOP 74 D	642.0400.007	X	709.95 €	844.84 €
TOP 74 W	642.0400.008	X	703.55 €	837.22 €
TOP 74 WS	642.0400.018	X	732.35 €	871.50 €
TOP 80 D	642.0500.007	X	742.99 €	884.16 €

X = Warehouse goods, can be dispatched immediately

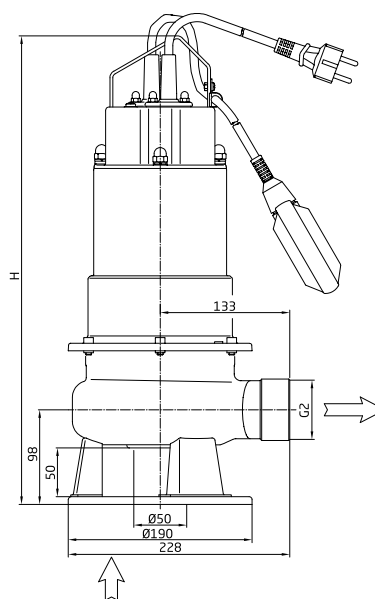




## Characteristics



## Dimensions



## Technical data

Type	Pipe connection (G)	Power output P <sub>2</sub> (kW)	Rated current (A) 3~ 400 V	Rated current (A) 1~ 230 V	H (mm)	Weight (kg)
TOP 90 VOX D	2	0.55	1.40	-	486	16.00
TOP 90 VOX WS	2	0.55	-	3.90	486	16.20
TOP 100 VOX D	2	0.75	2.10	-	486	18.00
TOP 100 VOX WS	2	0.75	-	5.80	516	18.20
TOP 150 VOX D	2	1.10	2.80	-	516	20.00
TOP 150 VOX WS	2	1.10	-	7.30	516	20.20
TOP 200 VOX D	2	1.50	3.30	-	516	20.00
TOP 300 VOX D	2	2.20	4.40	-	546	26.00

## Order information

Type	Article no.		Net RRP	Gross RRP
TOP 90 VOX D	642.2075.127	X	953.01 €	1,134.08 €
TOP 90 VOX WS	642.2075.138	X	978.60 €	1,164.53 €
TOP 100 VOX D	642.2100.127	X	1,132.11 €	1,347.21 €
TOP 100 VOX WS	642.2100.138	X	1,148.09 €	1,366.23 €
TOP 150 VOX D	642.2150.127	X	1,516.93 €	1,805.15 €
TOP 150 VOX WS	642.2150.138	X	1,529.72 €	1,820.37 €
TOP 200 VOX D	642.2200.127	X	1,759.98 €	2,094.38 €
TOP 300 VOX D	642.2300.127	X	2,315.37 €	2,755.29 €

X = Warehouse goods, can be dispatched immediately





---

## HEATING

---

<b>Heating water circulation</b>	<b>190</b>
<b>Domestic warm water circulation</b>	<b>194</b>



# Product overview



## Heating watercirculation /Domestic warm watercirculation



---

### **INOVA NH II**

Performance: up to 4.8 m<sup>3</sup>/h

**Page 192**

---

### **INOVA BN**

Performance: up to 0.4 m<sup>3</sup>/h

**Page 194**

# INOVA NH II



## Heating circulation pumps

### Field of application

- > Warm water heating for all systems
- > For one and two family houses
- > Industrial circulation units
- > Air conditioning units
- > Closed cooling circuits

### Design

Wet rotor circulation pump with blocking-current proof synchronous motor and integrated electronic control for stepless performance adaptation. Either  $\Delta p$ -c (constant differential pressure),  $\Delta p$ -v (variable differential pressure) or constant speed with three stages.

#### NH:

- > Standard high-efficiency pump
- > Control module with LED display for simple adjustment of the set values and the type of control
- > Display of the current power consumption
- > ErP conform,  $EEI \leq 0.20$
- > Min. power consumption only 4 W
- > Self-ventilating
- > Faster electronic connection via connector plug
- > Including heat insulation shell

### Motor

Protection class: ..... IP X2D  
Class of insulation: ..... F  
Voltage: ..... 1~ 230 V  $\pm$  10 %  
Motor speed: ..... 2850 rpm  
Frequency: ..... 50 Hz

### Technical data

Flow rate: ..... Q up to max. 4.8 m<sup>3</sup>/h  
Total dynamic head: ..... H up to max. 8 mWs  
Fluid temperature: ..... t -10 °C to max. 95 °C  
Operating pressure: ..... p up to max. PN 6

### Pumped fluid

Heating water according to VDI 2035.  
Water/glycol mixture in maximum ratio 1:1.

### Materials used

Pump housing: ..... EN-GJL 200 (cast iron)  
Impeller: ..... plastic  
Pump shaft: ..... stainless steel  
Plain bearing: ..... carbon, metal impregnated  
O-rings: ..... EPDM  
Can: ..... stainless steel

### Type key

#### INOVA NH II 25/60

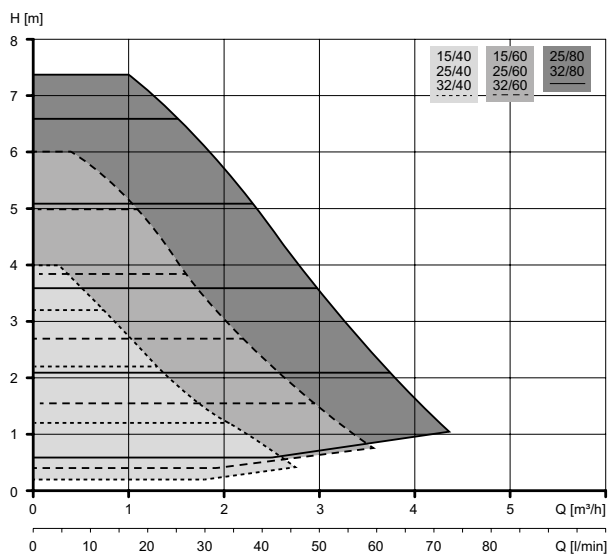
INOVA: ..... circulation pump  
NH II: ..... pump type  
25: ..... pipework dimension  
60: ..... max. dynamic head



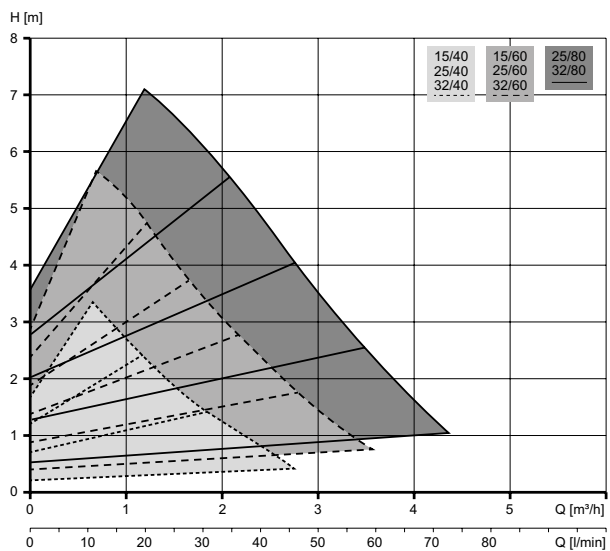


## Characteristics

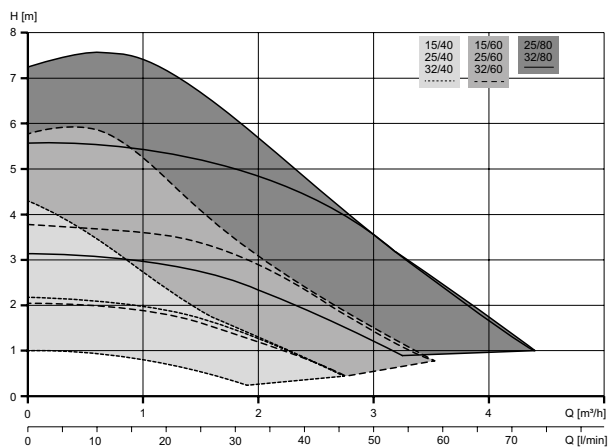
### $\Delta p$ -c characteristics



### $\Delta p$ -c characteristics



### Characteristics constant speed with three stages



## Technical data

Type	Connections	Installation length (mm)	Energy efficiency-index EEI	Min-max power consumption (w)	Rated current I <sub>max</sub> . 1~ 230 V (A)	Weight (kg)
NH II 15/40	1	130	EEI ≤ 0.20-Part 2	4 - 20	0.26	2.20
NH II 25/40	1½	180	EEI ≤ 0.20-Part 2	4 - 20	0.26	2.30
NH II 32/40	2	180	EEI ≤ 0.20-Part 2	4 - 20	0.26	2.40
NH II 15/60	1	130	EEI ≤ 0.20-Part 2	4 - 40	0.44	2.20
NH II 25/60	1½	180	EEI ≤ 0.20-Part 2	4 - 40	0.44	2.30
NH II 32/60	2	180	EEI ≤ 0.20-Part 2	4 - 40	0.44	2.40
NH II 25/80	1½	180	EEI ≤ 0.23-Part 2	4 - 75	0.70	2.30
NH II 32/80	2	180	EEI ≤ 0.23-Part 2	4 - 75	0.70	2.50

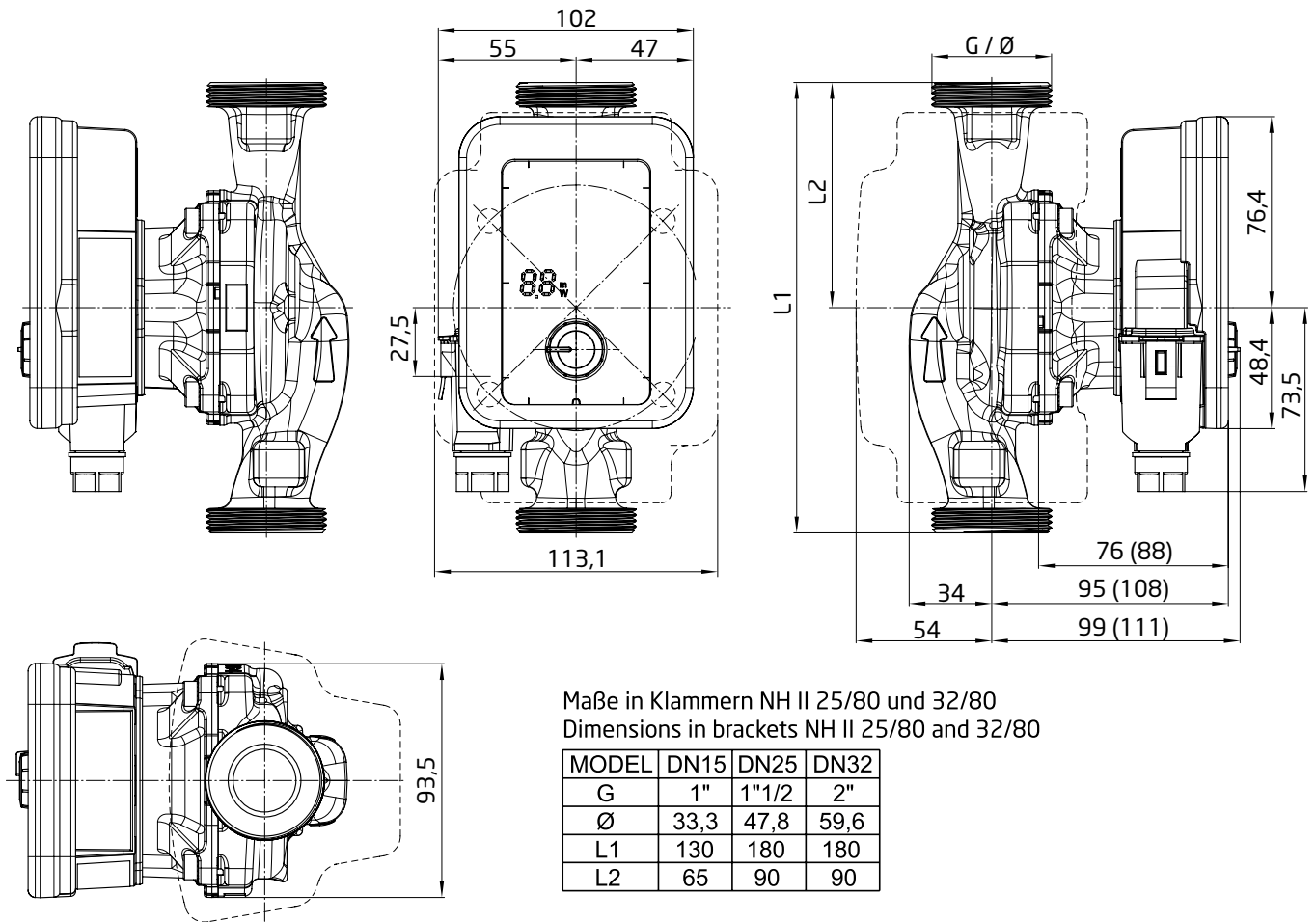
## Order information

Type	Article no.		Net RRP	Gross RRP
NH II 15/40	663.1540.238	X	345.97 €	411.70 €
NH II 25/40	663.2540.238	X	333.68 €	397.08 €
NH II 32/40	663.3240.238	X	347.74 €	413.81 €
NH II 15/60	663.1560.238	X	381.42 €	453.89 €
NH II 25/60	663.2560.238	X	371.50 €	442.09 €
NH II 32/60	663.3260.238	X	384.45 €	457.50 €
NH II 25/80	663.2580.238	X	466.52 €	555.16 €
NH II 32/80	663.3280.238	X	479.48 €	570.58 €
Angled connector (optional)	659.0000.003		27.76 €	33.03 €

X = Warehouse goods, can be dispatched immediately



## Dimensions



# INOVA BN



## Process water pumps

### Field of application

- > Drinking water circulation systems

### Design

Wet rotor circulation pump with screwed connection, blocking-current proof synchronous motor.

- > Low power consumption from 3 to 4.5 W thanks to synchronous motor
- > Application up to max. 20° dH
- > Faster electronic connection via connector plug
- > High quality materials to protect against bacteria and corrosion
- > Flexible service motor: fast replacement for common pump types
- > including thermal insulation shell
- > including non-return valve and ball stop valve

### Motor

Protection class: ..... IP 42  
Class of insulation: ..... F  
Voltage: ..... 1~ 230 V ± 10 %  
Motor speed: ..... 2850 rpm  
Frequency: ..... 50 Hz

### Technical data

Flow rate: ..... Q up to max. 0.4 m<sup>3</sup>/h  
Total dynamic head: ..... H up to max. 1.0 mWs  
Fluid temperature: ..... t 2 °C to max. 65 °C  
Operating pressure: ..... p up to max. 10 bar

### Pumped fluid

Drinking water up to 20° dH

### Materials used

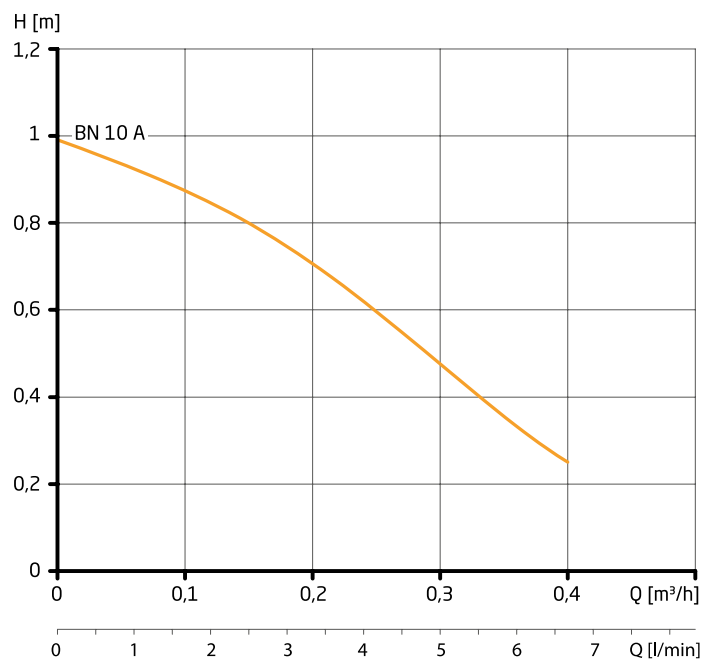
Pump housing: ..... brass  
Impeller: ..... plastic  
Pump shaft: ..... stainless steel  
Plain bearing: ..... carbon, synthetic resin impregnated  
O-rings: ..... EPDM  
Can: ..... stainless steel

### Type key

**BN 10 A**  
BN: ..... pump type  
10: ..... pump size  
A: ..... ball stop valve and non-return valve



## Characteristics



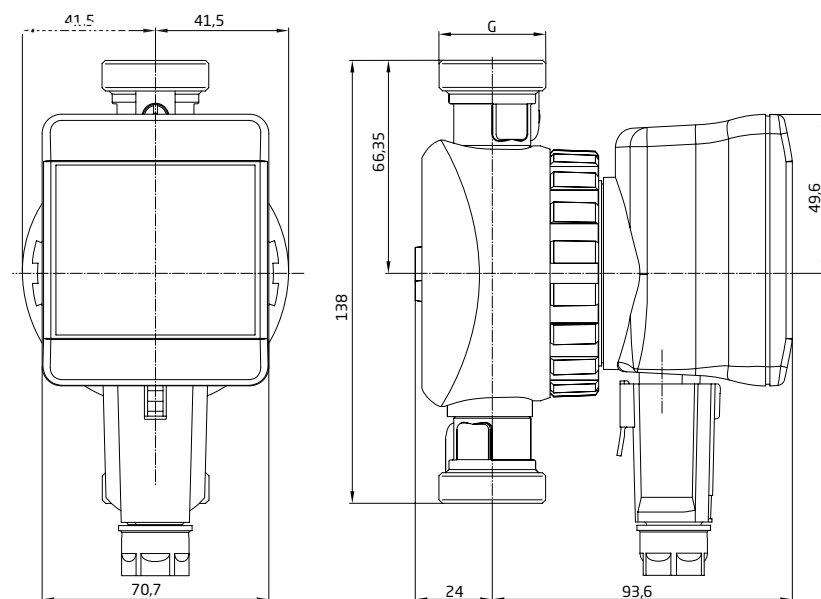
## Technical data

Type	Pipe fittings	Thread (G)	Installation length (mm)	Energy efficiency index EEI	Power consumption (W)	Rated current I <sub>max</sub> 1~230 V (A)	Weight (kg)
<b>INOVA BN 10 A</b>	R ½	1	138	EEI ≤ 0.20	3 - 5	0.05	1.30

## Order information

Type	Article no.	Net RRP	Gross RRP
<b>INOVA BN 10 A</b>	651.1000.038	<b>X</b> 260.25 €	309.70 €
<b>Angled connector (optional)</b>	659.0000.003	27.76 €	33.03 €

## Dimensions



**X** = Warehouse goods, can be dispatched immediately



Quality is the reason customers buy SPECK Pumpen products.

Service is the reason customers are always happy with SPECK Pumpen.

Our aim is always to give more than you expect.

That's why we're always there for you with help and solutions, from planning to implementation and of course with our after sales service including customer and repair services.

Reliable, fast and local.



---

## SERVICE

---

<b>Offices in Germany</b>	<b>198</b>
<b>Contact . Imprint</b>	<b>199</b>

# LOCATIONS

## Germany

### Sales region South/east

Hauptstraße 3  
91233 Neunkirchen am Sand  
Phone +49 9123 9490  
Fax +49 9123 949211  
neunkirchen@speck-pumps.com  
speck-pumps.com

### Sales region South

Lindberghstraße 7  
82178 Puchheim  
Phone +49 89 800709930  
Fax +49 89 800709939  
muenchen@speck-pumps.com  
speck-pumps.com

### Sales region South/west

Phone +49 711 341901112  
Fax +49 711 341901118  
stuttgart@speck-pumps.com  
speck-pumps.com

### Sales region Central

Philipp-Reis-Straße 5  
63110 Rodgau-Jügesheim  
Phone +49 6106 285780  
Fax +49 6106 2857829  
rodgau@speck-pumps.com  
speck-pumps.com

### Sales region West

Volmerswerther Straße 86  
40221 Düsseldorf  
Phone +49 211 30200760  
Fax +49 211 30200769  
duesseldorf@speck-pumps.com  
speck-pumps.com

### Sales region North/east

Farmsener Landstraße 2  
22359 Hamburg  
Phone +49 40 450634270  
Fax +49 40 450634279  
hamburg@speck-pumps.com  
speck-pumps.com





We're happy to help

## SALES

Domestic technology  
Phone +49 9123 949-500  
Fax +49 9123 949-211  
vertrieb@speck-pumps.com

Industrial technology  
Phone +49 9123 949-600  
Fax +49 9123 949-211  
industrie@speck-pumps.com

## DISTRIBUTION

Phone +49 9123 949-900  
Fax +49 9123 949-316  
versand@speck-pumps.com

## EXPORT

Phone +49 9123 949-800  
Fax +49 9123 949-316  
export2@speck-pumps.com

## CUSTOMER SERVICES, REPAIRS AND SPARE PARTS SERVICES

Phone +49 9123 949-700  
Fax +49 9123 949-245  
service@speck-pumps.com

## MARKETING AND DOCUMENTATION

Documentation, brochures, image material  
Phone +49 9123 949-242  
Fax +49 9123 949-284  
werbung@speck-pumps.com



Prices valid from 1 January 2024.  
Previous prices are therefore no longer valid.

Carriage paid and packaging included on orders within Germany  
from a net order value of 1,500.00 €.

## IMPRINT

**Editor**  
SPECK Pumpen Verkaufsgesellschaft GmbH  
Hauptstraße 3  
91233 Neunkirchen am Sand, Germany  
Phone +49 9123 949-0  
info@speck-pumps.com  
speck-pumps.com

**Editorial and content**  
Andreas Politaj,  
Ramona Erb  
**Translation**  
Gemma Snowden  
**Illustrations**  
Ramona Erb, Tim Neumüller

Printing, including extracts, only with the  
editor's authorisation. Subject to technical  
modifications and errors.

Copyright by SPECK Pumpen.

# Content

<b>A</b>		
Accessories extinguishing water supply.....	49	
Accessories water extraction.....	143	
Aquacell AE-M/AE-T .....	8	
Aquacell A/AE .....	10	
<b>B</b>		
Borehole pumps.....	114	
Borehole pumps SUPS-EM.....	118	
Borehole pumps SUPS 4 .....	120	
Borehole pumps SUPS 6 .....	132	
Büffelpumpe BS+domestic waterwork pumps .....	160	
<b>C</b>		
Centrifugal pumps IN-VB/IN-VC.....	52	
Centrifugal pumps SG/SGM(DA)/Speckmat.....	168	
Cistern pumps ZIS.....	172	
Cistern pumps ZISMATIC.....	174	
Controls .....	102	
<b>D</b>		
Domestic warm water circulation.....	196	
Drainage.....	178	
Drinking water separation stations .....	32	
<b>F</b>		
Feuerzell .....	42	
Feuerzell Duo .....	42	
Fire extinguishing system.....	42	
<b>G</b>		
Grid disconnection systems.....	32	
<b>H</b>		
Heating .....	189	
Heating circulation pump INOVA NH II.....	192	
Heating water circulation.....	190	
Horizontal pumps .....	84	
<b>J</b>		
Jet pumps.....	168	
<b>M</b>		
MTX.....	94	
Multicell .....	18	
<b>N</b>		
NTA Comfort .....	34	
NTA Compact .....	36	
NTA Premium.....	40	
<b>P</b>		
Piston pumps PM + domestic waterwork pumps.....	156	
Pressure boosting units .....	6	
Process water pump BN.....	196	
Pump controls SPR-MIDA.....	104	
Pump controls SPR-VLT® AQUA DRIVE.....	106	
Pump controls SPR-H .....	108	
<b>R</b>		
Rainwater utilisation.....	166	
<b>S</b>		
Service.....	199	
Submersible pumps.....	180	
Submersible pumps TOP 71.....	182	
Submersible pumps TOP 72-80.....	184	
Submersible pumps TOP 90-300 .....	186	
<b>V</b>		
Vertical pumps .....	52	
VGX/2VGX.....	86	
<b>W</b>		
Water extraction .....	112	
Water supply .....	5	
Water disposal.....	177	

Move liquids safely.

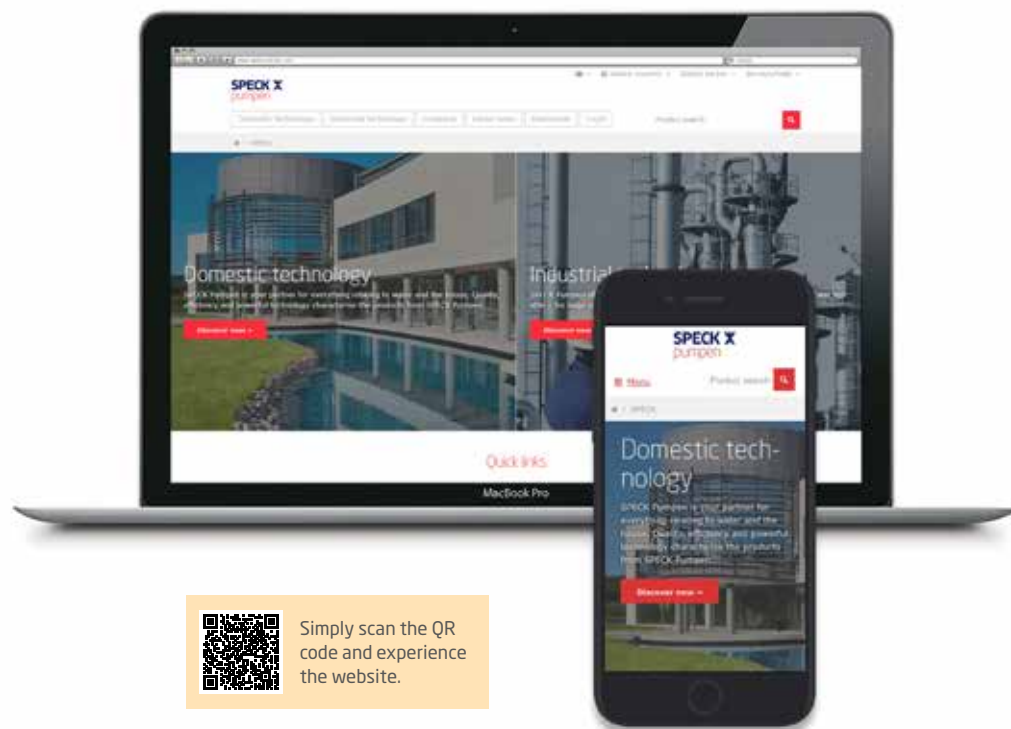
What sounds so easy depends crucially on experience and know-how.

SPECK Pumpen has convincing technologies and solutions:

Powerful and efficient pumps for safe and durable use

with the quality and reliability of an owner-managed company.

SPECK Pumpen - don't settle for less ...



Experience the  
world of SPECK Pumpen:  
online and on the go ...

**speck-pumps.com**

Detailed information regarding our products can be found at [speck-pumps.com](http://speck-pumps.com)  
Alternatively contact our SPECK Pumpen team at [info@speck-pumps.com](mailto:info@speck-pumps.com)

# SPECK



## SPECK

SPECK Pumpen Verkaufsgesellschaft GmbH  
91233 Neunkirchen am Sand, Germany

Phone +49 9123 949-0

Fax +49 9123 949-260

[info@speck-pumps.com](mailto:info@speck-pumps.com)

[speck-pumps.com](http://speck-pumps.com)