

# MULTICELL



## Pressure boosting units

### Field of application

- > Drinking water supply
- > Industrial water supply
- > Process water supply
- > Air conditioning units
- > Irrigation

### Design

With 2 to 6 non-self-priming, staged centrifugal pumps and speed regulation for each pump (frequency converter), according to DIN 1988-500.

### Motor

Protection class: ..... IP 55  
Class of insulation: ..... F  
Voltage: ..... 3~ 230/400 V  $\pm$  10 %  
Speed: ..... 2850 min<sup>-1</sup>  
Frequency: ..... 50 Hz

### Special editions

- > Special voltages
- > Special elastomers
- > Special mechanical seals
- > Higher fluid temperatures
- > Larger units

### Technical data

Flow rate: ..... Q bis max. 960 m<sup>3</sup>/h  
Total dynamic head: ..... H bis max. 250 m  
Fluid temperature: ..... t bis max. 50 °C  
Operating pressure: ..... p bis max. 16/25 bar

### Pumped fluid

Drinking water.  
Clear, moderately aggressive fluids, which don't chemically and mechanically attack the pump materials.

### Materials used

Pump housing: ..... stainless steel AISI 304  
Impellers: ..... stainless steel AISI 304  
O-rings: ..... EPDM  
Pump shaft: ..... stainless steel AISI 304  
Mechanical seal: ..... carbon/SiC/EPDM  
Fittings: ..... copper alloy  
Pipework: ..... stainless steel AISI 316 Ti  
Base frame: ..... stainless steel AISI 304

### Typenschlüssel

#### Multicell SFE 3/4-70

Multicell: ..... unit type  
SFE: ..... frequency controlled  
3: ..... number of pumps  
4: ..... pump size  
70: ..... number of stages x 10



### Information according to DIN 1988-500:2021-05

The materials that come into contact with drinking water must be hygienically safe and must not impair the quality of the drinking water as specified in the Drinking Water Ordinance.

Pressure boosting units must be configured, operated and maintained in such a way that the permanent operational safety of the drinking water installation is ensured and neither the public water supply nor other consumption systems are negatively affected.

If pressure fluctuations are to be expected on the supply side, where the maximum supply pressure is greater than the regulated pressure of the pressure boosting unit, a pressure reducer must be provided on the inlet side to limit this.

During normal operation, the maximum flow velocity in the connection pipe and the supply line to the pressure boosting unit must not exceed 2 metres per second.

For energy reasons and for reasons of proportionality of maintenance and security of supply during operation, pressure zones (if necessary) should be selected so that no pressure reducers are required. Care must be taken to ensure that the resting pressure of max. 5.0 bar is not exceeded at any tapping point.

For reasons of drinking water hygiene and energy efficiency, the direct connection must be preferred to the indirect connection.

The indirect connection is necessary if:

- The water supplier prescribes the indirect connection due to a minimum supply pressure of less than 1.0 bar
- A higher withdrawal must be accommodated for the short-term
- A system separation is required (see SPECK drinking water separation stations)

Control pressure vessels should be as small as possible. They must have flow through them and be fitted with a shut-off valve with drain for maintenance and inspection.

Pressure boosting units must be equipped with at least one reserve pump. If an operating pump fails, 100 % of the peak flow must be ensured. The requirement for a reserve pump does not apply to small properties (e.g. for residential purposes).

## Technical data

## Multicell SFE 2-30 to 2-100 with 2 to 6 pumps

Type	Pumps		Inlet/outlet connection	Average flow rate (m <sup>3</sup> /h)	Reserve pump (m <sup>3</sup> /h)	Target pressure (bar)	Power output P <sub>2</sub> (kW)	Rated current (A) 3 x 400 V	Approx weight (kg)
	No	Type							
SFE 2/2-30	2	IN-VB 2-30	R 2/R 2	2.50	2.50	1.40	0.37	2 x 0.95	140.00
SFE 2/2-40	2	IN-VB 2-40	R 2/R 2	2.50	2.50	1.80	0.37	2 x 0.95	150.00
SFE 2/2-50	2	IN-VB 2-50	R 2/R 2	2.50	2.50	2.40	0.37	2 x 0.95	155.00
SFE 2/2-60	2	IN-VB 2-60	R 2/R 2	2.50	2.50	2.80	0.55	2 x 1.20	165.00
SFE 2/2-70	2	IN-VB 2-70	R 2/R 2	2.50	2.50	3.40	0.55	2 x 1.20	170.00
SFE 2/2-80	2	IN-VB 2-80	R 2/R 2	2.50	2.50	3.70	0.55	2 x 1.20	180.00
SFE 2/2-90	2	IN-VB 2-90	R 2/R 2	2.50	2.50	4.60	0.75	2 x 1.80	183.00
SFE 2/2-100	2	IN-VB 2-100	R 2/R 2	2.50	2.50	5.20	0.75	2 x 1.80	185.00
SFE 3/2-30	3	IN-VB 2-30	R 2/R 2	5.00	2.50	1.40	0.37	3 x 0.95	180.00
SFE 3/2-40	3	IN-VB 2-40	R 2/R 2	5.00	2.50	1.80	0.37	3 x 0.95	195.00
SFE 3/2-50	3	IN-VB 2-50	R 2/R 2	5.00	2.50	2.40	0.37	3 x 0.95	205.00
SFE 3/2-60	3	IN-VB 2-60	R 2/R 2	5.00	2.50	2.80	0.55	3 x 1.20	225.00
SFE 3/2-70	3	IN-VB 2-70	R 2/R 2	5.00	2.50	3.40	0.55	3 x 1.20	230.00
SFE 3/2-80	3	IN-VB 2-80	R 2/R 2	5.00	2.50	3.70	0.55	3 x 1.20	240.00
SFE 3/2-90	3	IN-VB 2-90	R 2/R 2	5.00	2.50	4.60	0.75	3 x 1.80	243.00
SFE 3/2-100	3	IN-VB 2-100	R 2/R 2	5.00	2.50	5.20	0.75	3 x 1.80	245.00
SFE 4/2-30	4	IN-VB 2-30	DN 65/DN 65	7.50	2.50	1.40	0.37	4 x 0.95	205.00
SFE 4/2-40	4	IN-VB 2-40	DN 65/DN 65	7.50	2.50	1.80	0.37	4 x 0.95	220.00
SFE 4/2-50	4	IN-VB 2-50	DN 65/DN 65	7.50	2.50	2.40	0.37	4 x 0.95	235.00
SFE 4/2-60	4	IN-VB 2-60	DN 65/DN 65	7.50	2.50	2.80	0.55	4 x 1.20	250.00
SFE 4/2-70	4	IN-VB 2-70	DN 65/DN 65	7.50	2.50	3.40	0.55	4 x 1.20	260.00
SFE 4/2-80	4	IN-VB 2-80	DN 65/DN 65	7.50	2.50	3.70	0.55	4 x 1.20	275.00
SFE 4/2-90	4	IN-VB 2-90	DN 65/DN 65	7.50	2.50	4.60	0.75	4 x 1.80	280.00
SFE 4/2-100	4	IN-VB 2-100	DN 65/DN 65	7.50	2.50	5.20	0.75	4 x 1.80	285.00
SFE 5/2-30	5	IN-VB 2-30	DN 80/DN 80	10.00	2.50	1.40	0.37	5 x 0.95	225.00
SFE 5/2-40	5	IN-VB 2-40	DN 80/DN 80	10.00	2.50	1.80	0.37	5 x 0.95	245.00
SFE 5/2-50	5	IN-VB 2-50	DN 80/DN 80	10.00	2.50	2.40	0.37	5 x 0.95	260.00
SFE 5/2-60	5	IN-VB 2-60	DN 80/DN 80	10.00	2.50	2.80	0.55	5 x 1.20	290.00
SFE 5/2-70	5	IN-VB 2-70	DN 80/DN 80	10.00	2.50	3.40	0.55	5 x 1.20	300.00
SFE 5/2-80	5	IN-VB 2-80	DN 80/DN 80	10.00	2.50	3.70	0.55	5 x 1.20	320.00
SFE 5/2-90	5	IN-VB 2-90	DN 80/DN 80	10.00	2.50	4.60	0.75	5 x 1.80	325.00
SFE 5/2-100	5	IN-VB 2-100	DN 80/DN 80	10.00	2.50	5.20	0.75	5 x 1.80	330.00
SFE 6/2-30	6	IN-VB 2-30	DN 80/DN 80	12.50	2.50	1.40	0.37	6 x 0.95	250.00
SFE 6/2-40	6	IN-VB 2-40	DN 80/DN 80	12.50	2.50	1.80	0.37	6 x 0.95	275.00
SFE 6/2-50	6	IN-VB 2-50	DN 80/DN 80	12.50	2.50	2.40	0.37	6 x 0.95	295.00
SFE 6/2-60	6	IN-VB 2-60	DN 80/DN 80	12.50	2.50	2.80	0.55	6 x 1.20	350.00
SFE 6/2-70	6	IN-VB 2-70	DN 80/DN 80	12.50	2.50	3.40	0.55	6 x 1.20	365.00
SFE 6/2-80	6	IN-VB 2-80	DN 80/DN 80	12.50	2.50	3.70	0.55	6 x 1.20	390.00
SFE 6/2-90	6	IN-VB 2-90	DN 80/DN 80	12.50	2.50	4.60	0.75	6 x 1.80	398.00
SFE 6/2-100	6	IN-VB 2-100	DN 80/DN 80	12.50	2.50	5.20	0.75	6 x 1.80	405.00



## Technical data

## Multicell SFE 4-30 to 4-100 with 2 to 6 pumps

Type	Pumps		Inlet/outlet connection	Average flow rate (m <sup>3</sup> /h)	Reserve pump (m <sup>3</sup> /h)	Target pressure (bar)	Power output P <sub>2</sub> (kW)	Rated current (A) 3 x 400 V	Approx weight (kg)
	No	Type							
SFE 2/4-30	2	IN-VB 4-30	R 2/R 2	4.00	4.00	1.90	0.55	2 x 1.20	140.00
SFE 2/4-40	2	IN-VB 4-40	R 2/R 2	4.00	4.00	2.60	0.55	2 x 1.20	150.00
SFE 2/4-50	2	IN-VB 4-50	R 2/R 2	4.00	4.00	3.50	0.75	2 x 1.80	155.00
SFE 2/4-60	2	IN-VB 4-60	R 2/R 2	4.00	4.00	4.30	1.10	2 x 2.30	165.00
SFE 2/4-70	2	IN-VB 4-70	R 2/R 2	4.00	4.00	4.90	1.10	2 x 2.30	170.00
SFE 2/4-80	2	IN-VB 4-80	R 2/R 2	4.00	4.00	5.60	1.50	2 x 3.20	180.00
SFE 2/4-90	2	IN-VB 4-90	R 2/R 2	4.00	4.00	6.40	1.50	2 x 3.20	183.00
SFE 2/4-100	2	IN-VB 4-100	R 2/R 2	4.00	4.00	7.20	1.50	2 x 3.20	185.00
SFE 3/4-30	3	IN-VB 4-30	R 2/R 2	8.00	4.00	1.90	0.55	3 x 1.20	180.00
SFE 3/4-40	3	IN-VB 4-40	R 2/R 2	8.00	4.00	2.60	0.55	3 x 1.20	195.00
SFE 3/4-50	3	IN-VB 4-50	R 2/R 2	8.00	4.00	3.50	0.75	3 x 1.80	205.00
SFE 3/4-60	3	IN-VB 4-60	R 2/R 2	8.00	4.00	4.30	1.10	3 x 2.30	225.00
SFE 3/4-70	3	IN-VB 4-70	R 2/R 2	8.00	4.00	4.90	1.10	3 x 2.30	230.00
SFE 3/4-80	3	IN-VB 4-80	R 2/R 2	8.00	4.00	5.60	1.50	3 x 3.20	240.00
SFE 3/4-90	3	IN-VB 4-90	R 2/R 2	8.00	4.00	6.40	1.50	3 x 3.20	243.00
SFE 3/4-100	3	IN-VB 4-100	R 2/R 2	8.00	4.00	7.20	1.50	3 x 3.20	245.00
SFE 4/4-30	4	IN-VB 4-30	DN 65/DN 65	12.00	4.00	1.90	0.55	4 x 1.20	205.00
SFE 4/4-40	4	IN-VB 4-40	DN 65/DN 65	12.00	4.00	2.60	0.55	4 x 1.20	220.00
SFE 4/4-50	4	IN-VB 4-50	DN 65/DN 65	12.00	4.00	3.50	0.75	4 x 1.80	235.00
SFE 4/4-60	4	IN-VB 4-60	DN 65/DN 65	12.00	4.00	4.30	1.10	4 x 2.30	250.00
SFE 4/4-70	4	IN-VB 4-70	DN 65/DN 65	12.00	4.00	4.90	1.10	4 x 2.30	260.00
SFE 4/4-80	4	IN-VB 4-80	DN 65/DN 65	12.00	4.00	5.60	1.50	4 x 3.20	275.00
SFE 4/4-90	4	IN-VB 4-90	DN 65/DN 65	12.00	4.00	6.40	1.50	4 x 3.20	280.00
SFE 4/4-100	4	IN-VB 4-100	DN 65/DN 65	12.00	4.00	7.20	1.50	4 x 3.20	285.00
SFE 5/4-30	5	IN-VB 4-30	DN 80/DN 80	16.00	4.00	1.90	0.55	5 x 1.20	225.00
SFE 5/4-40	5	IN-VB 4-40	DN 80/DN 80	16.00	4.00	2.60	0.55	5 x 1.20	245.00
SFE 5/4-50	5	IN-VB 4-50	DN 80/DN 80	16.00	4.00	3.50	0.75	5 x 1.80	260.00
SFE 5/4-60	5	IN-VB 4-60	DN 80/DN 80	16.00	4.00	4.30	1.10	5 x 2.30	290.00
SFE 5/4-70	5	IN-VB 4-70	DN 80/DN 80	16.00	4.00	4.90	1.10	5 x 2.30	300.00
SFE 5/4-80	5	IN-VB 4-80	DN 80/DN 80	16.00	4.00	5.60	1.50	5 x 3.20	320.00
SFE 5/4-90	5	IN-VB 4-90	DN 80/DN 80	16.00	4.00	6.40	1.50	5 x 3.20	325.00
SFE 5/4-100	5	IN-VB 4-100	DN 80/DN 80	16.00	4.00	7.20	1.50	5 x 3.20	330.00
SFE 6/4-30	6	IN-VB 4-30	DN 80/DN 80	20.00	4.00	1.90	0.55	6 x 1.20	250.00
SFE 6/4-40	6	IN-VB 4-40	DN 80/DN 80	20.00	4.00	2.60	0.55	6 x 1.20	275.00
SFE 6/4-50	6	IN-VB 4-50	DN 80/DN 80	20.00	4.00	3.50	0.75	6 x 1.80	295.00
SFE 6/4-60	6	IN-VB 4-60	DN 80/DN 80	20.00	4.00	4.30	1.10	6 x 2.30	350.00
SFE 6/4-70	6	IN-VB 4-70	DN 80/DN 80	20.00	4.00	4.90	1.10	6 x 2.30	365.00
SFE 6/4-80	6	IN-VB 4-80	DN 80/DN 80	20.00	4.00	5.60	1.50	6 x 3.20	390.00
SFE 6/4-90	6	IN-VB 4-90	DN 80/DN 80	20.00	4.00	6.40	1.50	6 x 3.20	398.00
SFE 6/4-100	6	IN-VB 4-100	DN 80/DN 80	20.00	4.00	7.20	1.50	6 x 3.20	405.00

## Technical data

## Multicell SFE 6-30 to 6-100 with 2 to 6 pumps

Type	Pumps		Inlet/outlet connection	Average flow rate (m <sup>3</sup> /h)	Reserve pump (m <sup>3</sup> /h)	Target pressure (bar)	Power output P <sub>z</sub> (kW)	Rated current (A) 3 x 400 V	Approx weight (kg)
	No	Type							
SFE 2/6-30	2	IN-VB 6-30	R 2/R 2	6.00	6.00	2.20	0.75	2 x 1.80	145.00
SFE 2/6-40	2	IN-VB 6-40	R 2/R 2	6.00	6.00	2.90	1.10	2 x 2.30	160.00
SFE 2/6-50	2	IN-VB 6-50	R 2/R 2	6.00	6.00	3.70	1.10	2 x 2.30	165.00
SFE 2/6-60	2	IN-VB 6-60	R 2/R 2	6.00	6.00	4.40	1.50	2 x 3.20	170.00
SFE 2/6-70	2	IN-VB 6-70	R 2/R 2	6.00	6.00	5.30	1.50	2 x 3.20	180.00
SFE 2/6-80	2	IN-VB 6-80	R 2/R 2	6.00	6.00	5.90	2.20	2 x 4.60	190.00
SFE 2/6-90	2	IN-VB 6-90	R 2/R 2	6.00	6.00	6.60	2.20	2 x 4.60	193.00
SFE 2/6-100	2	IN-VB 6-100	R 2/R 2	6.00	6.00	7.40	2.20	2 x 4.60	195.00
SFE 3/6-30	3	IN-VB 6-30	R 2/R 2	12.00	6.00	2.20	0.75	3 x 1.80	190.00
SFE 3/6-40	3	IN-VB 6-40	R 2/R 2	12.00	6.00	2.90	1.10	3 x 2.30	210.00
SFE 3/6-50	3	IN-VB 6-50	R 2/R 2	12.00	6.00	3.70	1.10	3 x 2.30	230.00
SFE 3/6-60	3	IN-VB 6-60	R 2/R 2	12.00	6.00	4.40	1.50	3 x 3.20	240.00
SFE 3/6-70	3	IN-VB 6-70	R 2/R 2	12.00	6.00	5.30	1.50	3 x 3.20	255.00
SFE 3/6-80	3	IN-VB 6-80	R 2/R 2	12.00	6.00	5.90	2.20	3 x 4.60	270.00
SFE 3/6-90	3	IN-VB 6-90	R 2/R 2	12.00	6.00	6.60	2.20	3 x 4.60	273.00
SFE 3/6-100	3	IN-VB 6-100	R 2/R 2	12.00	6.00	7.40	2.20	3 x 4.60	275.00
SFE 4/6-30	4	IN-VB 6-30	DN 65/DN 65	18.00	6.00	2.20	0.75	4 x 1.80	225.00
SFE 4/6-40	4	IN-VB 6-40	DN 65/DN 65	18.00	6.00	2.90	1.10	4 x 2.30	240.00
SFE 4/6-50	4	IN-VB 6-50	DN 65/DN 65	18.00	6.00	3.70	1.10	4 x 2.30	255.00
SFE 4/6-60	4	IN-VB 6-60	DN 65/DN 65	18.00	6.00	4.40	1.50	4 x 3.20	270.00
SFE 4/6-70	4	IN-VB 6-70	DN 65/DN 65	18.00	6.00	5.30	1.50	4 x 3.20	280.00
SFE 4/6-80	4	IN-VB 6-80	DN 65/DN 65	18.00	6.00	5.90	2.20	4 x 4.60	295.00
SFE 4/6-90	4	IN-VB 6-90	DN 65/DN 65	18.00	6.00	6.60	2.20	4 x 4.60	300.00
SFE 4/6-100	4	IN-VB 6-100	DN 65/DN 65	18.00	6.00	7.40	2.20	4 x 4.60	305.00
SFE 5/6-30	5	IN-VB 6-30	DN 80/DN 80	24.00	6.00	2.20	0.75	5 x 1.80	250.00
SFE 5/6-40	5	IN-VB 6-40	DN 80/DN 80	24.00	6.00	2.90	1.10	5 x 2.30	270.00
SFE 5/6-50	5	IN-VB 6-50	DN 80/DN 80	24.00	6.00	3.70	1.10	5 x 2.30	285.00
SFE 5/6-60	5	IN-VB 6-60	DN 80/DN 80	24.00	6.00	4.40	1.50	5 x 3.20	315.00
SFE 5/6-70	5	IN-VB 6-70	DN 80/DN 80	24.00	6.00	5.30	1.50	5 x 3.20	325.00
SFE 5/6-80	5	IN-VB 6-80	DN 80/DN 80	24.00	6.00	5.90	2.20	5 x 4.60	345.00
SFE 5/6-90	5	IN-VB 6-90	DN 80/DN 80	24.00	6.00	6.40	2.20	5 x 4.60	350.00
SFE 5/6-100	5	IN-VB 6-100	DN 80/DN 80	24.00	6.00	7.40	2.20	5 x 4.60	355.00
SFE 6/6-30	6	IN-VB 6-30	DN 80/DN 80	30.00	6.00	2.20	0.75	6 x 1.80	280.00
SFE 6/6-40	6	IN-VB 6-40	DN 80/DN 80	30.00	6.00	2.90	1.10	6 x 2.30	305.00
SFE 6/6-50	6	IN-VB 6-50	DN 80/DN 80	30.00	6.00	3.70	1.10	6 x 2.30	325.00
SFE 6/6-60	6	IN-VB 6-60	DN 80/DN 80	30.00	6.00	4.40	1.50	6 x 3.20	380.00
SFE 6/6-70	6	IN-VB 6-70	DN 80/DN 80	30.00	6.00	5.30	1.50	6 x 3.20	395.00
SFE 6/6-80	6	IN-VB 6-80	DN 80/DN 80	30.00	6.00	5.90	2.20	6 x 4.60	420.00
SFE 6/6-90	6	IN-VB 6-90	DN 80/DN 80	30.00	6.00	6.60	2.20	6 x 4.60	428.00
SFE 6/6-100	6	IN-VB 6-100	DN 80/DN 80	30.00	6.00	7.40	2.20	6 x 4.60	435.00



## Technical data

## Multicell SFE 10-30 to 10-100 with 2 to 6 pumps

Type	No	Pumps Type	Inlet/outlet connection	Average flow rate (m <sup>3</sup> /h)	Reserve pump (m <sup>3</sup> /h)	Target pressure (bar)	Power output P <sub>2</sub> (kW)	Rated current (A) 3 x 400 V	Approx weight (kg)
SFE 2/10-30	2	IN-VB 10-30	R 2/R 2	8.00	8.00	2.70	1.10	2 x 2.30	145.00
SFE 2/10-40	2	IN-VB 10-40	R 2/R 2	8.00	8.00	3.70	1.50	2 x 3.20	160.00
SFE 2/10-50	2	IN-VB 10-50	R 2/R 2	8.00	8.00	4.60	2.20	2 x 4.60	165.00
SFE 2/10-60	2	IN-VB 10-60	R 2/R 2	8.00	8.00	5.50	2.20	2 x 4.60	170.00
SFE 2/10-70	2	IN-VB 10-70	R 2/R 2	8.00	8.00	6.60	3.00	2 x 5.80	180.00
SFE 2/10-80	2	IN-VB 10-80	R 2/R 2	8.00	8.00	7.60	3.00	2 x 5.80	190.00
SFE 2/10-90	2	IN-VB 10-90	R 2/R 2	8.00	8.00	8.50	4.00	2 x 7.40	204.00
SFE 2/10-100	2	IN-VB 10-100	R 2/R 2	8.00	8.00	9.50	4.00	2 x 7.40	206.00
SFE 3/10-30	3	IN-VB 10-30	R 2 ½/R 2 ½	16.00	8.00	2.70	1.10	3 x 2.30	190.00
SFE 3/10-40	3	IN-VB 10-40	R 2 ½/R 2 ½	16.00	8.00	3.70	1.50	3 x 3.20	210.00
SFE 3/10-50	3	IN-VB 10-50	R 2 ½/R 2 ½	16.00	8.00	4.60	2.20	3 x 4.60	230.00
SFE 3/10-60	3	IN-VB 10-60	R 2 ½/R 2 ½	16.00	8.00	5.50	2.20	3 x 4.60	240.00
SFE 3/10-70	3	IN-VB 10-70	R 2 ½/R 2 ½	16.00	8.00	6.60	3.00	3 x 5.80	255.00
SFE 3/10-80	3	IN-VB 10-80	R 2 ½/R 2 ½	16.00	8.00	7.60	3.00	3 x 5.80	270.00
SFE 3/10-90	3	IN-VB 10-90	R 2 ½/R 2 ½	16.00	8.00	8.50	4.00	3 x 7.40	291.00
SFE 3/10-100	3	IN-VB 10-100	R 2 ½/R 2 ½	16.00	8.00	9.90	4.00	3 x 7.40	294.00
SFE 4/10-30	4	IN-VB 10-30	DN 80/DN 80	24.00	8.00	2.70	1.10	4 x 2.30	235.00
SFE 4/10-40	4	IN-VB 10-40	DN 80/DN 80	24.00	8.00	3.70	1.50	4 x 3.20	260.00
SFE 4/10-50	4	IN-VB 10-50	DN 80/DN 80	24.00	8.00	4.60	2.20	4 x 4.60	275.00
SFE 4/10-60	4	IN-VB 10-60	DN 80/DN 80	24.00	8.00	5.50	2.20	4 x 4.60	285.00
SFE 4/10-70	4	IN-VB 10-70	DN 80/DN 80	24.00	8.00	6.60	3.00	4 x 5.80	305.00
SFE 4/10-80	4	IN-VB 10-80	DN 80/DN 80	24.00	8.00	7.60	3.00	4 x 5.80	325.00
SFE 4/10-90	4	IN-VB 10-90	DN 80/DN 80	24.00	8.00	8.50	4.00	4 x 7.40	353.00
SFE 4/10-100	4	IN-VB 10-100	DN 80/DN 80	24.00	8.00	9.50	4.00	4 x 7.40	357.00
SFE 5/10-30	5	IN-VB 10-30	DN 100/DN 100	32.00	8.00	2.70	1.10	5 x 2.30	280.00
SFE 5/10-40	5	IN-VB 10-40	DN 100/DN 100	32.00	8.00	3.70	1.50	5 x 3.20	310.00
SFE 5/10-50	5	IN-VB 10-50	DN 100/DN 100	32.00	8.00	4.60	2.20	5 x 4.60	330.00
SFE 5/10-60	5	IN-VB 10-60	DN 100/DN 100	32.00	8.00	5.50	2.20	5 x 4.60	340.00
SFE 5/10-70	5	IN-VB 10-70	DN 100/DN 100	32.00	8.00	6.60	3.00	5 x 5.80	365.00
SFE 5/10-80	5	IN-VB 10-80	DN 100/DN 100	32.00	8.00	7.60	3.00	5 x 5.80	390.00
SFE 5/10-90	5	IN-VB 10-90	DN 100/DN 100	32.00	8.00	8.50	4.00	5 x 7.40	425.00
SFE 5/10-100	5	IN-VB 10-100	DN 100/DN 100	32.00	8.00	9.50	4.00	5 x 7.40	430.00
SFE 6/10-30	6	IN-VB 10-30	DN 100/DN 100	40.00	8.00	2.70	1.10	6 x 2.30	325.00
SFE 6/10-40	6	IN-VB 10-40	DN 100/DN 100	40.00	8.00	3.70	1.50	6 x 3.20	360.00
SFE 6/10-50	6	IN-VB 10-50	DN 100/DN 100	40.00	8.00	4.60	2.20	6 x 4.60	385.00
SFE 6/10-60	6	IN-VB 10-60	DN 100/DN 100	40.00	8.00	5.50	2.20	6 x 4.60	400.00
SFE 6/10-70	6	IN-VB 10-70	DN 100/DN 100	40.00	8.00	6.60	3.00	6 x 5.80	430.00
SFE 6/10-80	6	IN-VB 10-80	DN 100/DN 100	40.00	8.00	7.60	3.00	6 x 5.80	460.00
SFE 6/10-90	6	IN-VB 10-90	DN 100/DN 100	40.00	8.00	8.50	4.00	6 x 7.40	502.00
SFE 6/10-100	6	IN-VB 10-100	DN 100/DN 100	40.00	8.00	9.50	4.00	6 x 7.40	508.00

## Technical data

## Multicell SFE 15-20 to 15-100 with 2 to 6 pumps

Type	Pumps		Inlet/outlet connection	Average flow rate (m <sup>3</sup> /h)	Reserve pump (m <sup>3</sup> /h)	Target pressure (bar)	Power output P <sub>z</sub> (kW)	Rated current (A) 3 x 400 V	Approx weight (kg)
	No	Type							
SFE 2/15-20	2	IN-VC 15-20	DN 80/DN 80	15.00	15.00	2.50	2.20	2 x 4.60	195.00
SFE 2/15-30	2	IN-VC 15-30	DN 80/DN 80	15.00	15.00	3.80	3.00	2 x 5.80	210.00
SFE 2/15-40	2	IN-VC 15-40	DN 80/DN 80	15.00	15.00	5.10	4.00	2 x 7.40	225.00
SFE 2/15-50	2	IN-VC 15-50	DN 80/DN 80	15.00	15.00	6.50	5.50	2 x 10.00	305.00
SFE 2/15-60	2	IN-VC 15-60	DN 80/DN 80	15.00	15.00	7.80	7.50	2 x 13.30	310.00
SFE 2/15-70	2	IN-VC 15-70	DN 80/DN 80	15.00	15.00	9.10	7.50	2 x 13.30	315.00
SFE 2/15-80	2	IN-VC 15-80	DN 80/DN 80	15.00	15.00	10.40	11.00	2 x 19.30	320.00
SFE 2/15-90	2	IN-VC 15-90	DN 80/DN 80	15.00	15.00	11.70	11.00	2 x 19.30	470.00
SFE 2/15-100	2	IN-VC 15-100	DN 80/DN 80	15.00	15.00	13.00	11.00	2 x 19.30	475.00
SFE 3/15-20	3	IN-VC 15-20	DN 100/DN 100	30.00	15.00	2.50	2.20	3 x 4.60	270.00
SFE 3/15-30	3	IN-VC 15-30	DN 100/DN 100	30.00	15.00	3.80	3.00	3 x 5.80	300.00
SFE 3/15-40	3	IN-VC 15-40	DN 100/DN 100	30.00	15.00	5.10	4.00	3 x 7.40	315.00
SFE 3/15-50	3	IN-VC 15-50	DN 100/DN 100	30.00	15.00	6.50	5.50	3 x 10.00	430.00
SFE 3/15-60	3	IN-VC 15-60	DN 100/DN 100	30.00	15.00	7.80	7.50	3 x 13.30	435.00
SFE 3/15-70	3	IN-VC 15-70	DN 100/DN 100	30.00	15.00	9.10	7.50	3 x 13.30	450.00
SFE 3/15-80	3	IN-VC 15-80	DN 100/DN 100	30.00	15.00	10.40	11.00	3 x 19.30	680.00
SFE 3/15-90	3	IN-VC 15-90	DN 100/DN 100	30.00	15.00	11.70	11.00	3 x 19.30	685.00
SFE 3/15-100	3	IN-VC 15-100	DN 100/DN 100	30.00	15.00	13.00	11.00	3 x 19.30	690.00
SFE 4/15-20	4	IN-VC 15-20	DN 100/DN 100	45.00	15.00	2.50	2.20	4 x 4.60	350.00
SFE 4/15-30	4	IN-VC 15-30	DN 100/DN 100	45.00	15.00	3.80	3.00	4 x 5.80	385.00
SFE 4/15-40	4	IN-VC 15-40	DN 100/DN 100	45.00	15.00	5.10	4.00	4 x 7.40	410.00
SFE 4/15-50	4	IN-VC 15-50	DN 100/DN 100	45.00	15.00	6.50	5.50	4 x 10.00	565.00
SFE 4/15-60	4	IN-VC 15-60	DN 100/DN 100	45.00	15.00	7.80	7.50	4 x 13.30	570.00
SFE 4/15-70	4	IN-VC 15-70	DN 100/DN 100	45.00	15.00	9.10	7.50	4 x 13.30	590.00
SFE 4/15-80	4	IN-VC 15-80	DN 100/DN 100	45.00	15.00	10.40	11.00	4 x 19.30	900.00
SFE 4/15-90	4	IN-VC 15-90	DN 100/DN 100	45.00	15.00	11.70	11.00	4 x 19.30	905.00
SFE 4/15-100	4	IN-VC 15-100	DN 100/DN 100	45.00	15.00	13.00	11.00	4 x 19.30	910.00
SFE 5/15-20	5	IN-VC 15-20	DN 125/DN 125	60.00	15.00	2.50	2.20	5 x 4.60	425.00
SFE 5/15-30	5	IN-VC 15-30	DN 125/DN 125	60.00	15.00	3.80	3.00	5 x 5.80	470.00
SFE 5/15-40	5	IN-VC 15-40	DN 125/DN 125	60.00	15.00	5.10	4.00	5 x 7.40	505.00
SFE 5/15-50	5	IN-VC 15-50	DN 125/DN 125	60.00	15.00	6.50	5.50	5 x 10.00	695.00
SFE 5/15-60	5	IN-VC 15-60	DN 125/DN 125	60.00	15.00	7.80	7.50	5 x 13.30	700.00
SFE 5/15-70	5	IN-VC 15-70	DN 125/DN 125	60.00	15.00	9.10	7.50	5 x 13.30	725.00
SFE 5/15-80	5	IN-VC 15-80	DN 125/DN 125	60.00	15.00	10.40	11.00	5 x 19.30	1100.00
SFE 5/15-90	5	IN-VC 15-90	DN 125/DN 125	60.00	15.00	11.70	11.00	5 x 19.30	1120.00
SFE 5/15-100	5	IN-VC 15-100	DN 125/DN 125	60.00	15.00	13.00	11.00	5 x 19.30	1125.00
SFE 6/15-20	6	IN-VC 15-20	DN 150/DN 150	75.00	15.00	2.50	2.20	6 x 4.60	505.00
SFE 6/15-30	6	IN-VC 15-30	DN 150/DN 150	75.00	15.00	3.80	3.00	6 x 5.80	555.00
SFE 6/15-40	6	IN-VC 15-40	DN 150/DN 150	75.00	15.00	5.10	4.00	6 x 7.40	590.00
SFE 6/15-50	6	IN-VC 15-50	DN 150/DN 150	75.00	15.00	6.50	5.50	6 x 10.00	825.00
SFE 6/15-60	6	IN-VC 15-60	DN 150/DN 150	75.00	15.00	7.80	7.50	6 x 13.30	830.00
SFE 6/15-70	6	IN-VC 15-70	DN 150/DN 150	75.00	15.00	9.10	7.50	6 x 13.30	860.00
SFE 6/15-80	6	IN-VC 15-80	DN 150/DN 150	75.00	15.00	10.40	11.00	6 x 19.30	1330.00
SFE 6/15-90	6	IN-VC 15-90	DN 150/DN 150	75.00	15.00	11.70	11.00	6 x 19.30	1335.00
SFE 6/15-100	6	IN-VC 15-100	DN 150/DN 150	75.00	15.00	13.00	11.00	6 x 19.30	1340.00



Technical data

Multicell SFE 25-20 to 85-40 with 2-4 pumps

Type	Pumps		Inlet/outlet connection	Average flow rate (m³/h)	Reserve pump (m³/h)	Target pressure (bar)	Power output P <sub>z</sub> (kW)	Rated current (A) 3 x 400 V	Approx weight (kg)
	Anzahl	Type							
SFE 2/25-20	2	IN-VB 25-20	DN100/DN100	25.00	25.00	3.20	4.00	2 x 7.40	320.00
SFE 2/25-30	2	IN-VB 25-30	DN100/DN100	25.00	25.00	5.00	5.50	2 x 10.00	378.00
SFE 2/25-40	2	IN-VB 25-40	DN100/DN100	25.00	25.00	6.80	7.50	2 x 13.30	392.00
SFE 2/25-50	2	IN-VB 25-50	DN100/DN100	25.00	25.00	8.40	11.00	2 x 19.30	556.00
SFE 3/25-20	3	IN-VB 25-20	DN100/DN100	50.00	25.00	3.20	4.00	3 x 7.40	455.00
SFE 3/25-30	3	IN-VB 25-30	DN100/DN100	50.00	25.00	5.00	5.50	3 x 10.00	542.00
SFE 3/25-40	3	IN-VB 25-40	DN100/DN100	50.00	25.00	6.80	7.50	3 x 13.30	563.00
SFE 3/25-50	3	IN-VB 25-50	DN100/DN100	50.00	25.00	8.40	11.00	3 x 19.30	809.00
SFE 4/25-20	4	IN-VB 25-20	DN125/DN125	75.00	25.00	3.20	4.00	4 x 7.40	590.00
SFE 4/25-30	4	IN-VB 25-30	DN125/DN125	75.00	25.00	5.00	5.50	4 x 10.00	706.00
SFE 4/25-40	4	IN-VB 25-40	DN125/DN125	75.00	25.00	6.80	7.50	4 x 13.30	734.00
SFE 4/25-50	4	IN-VB 25-50	DN125/DN125	75.00	25.00	8.40	11.00	4 x 19.30	1062.00
SFE 2/40-20-2	2	IN-VB 40-20-2	DN100/DN100	40.00	40.00	3.90	5.50	2 x 10.00	433.00
SFE 2/40-20	2	IN-VB 40-20	DN100/DN100	40.00	40.00	4.10	7.50	2 x 13.30	441.00
SFE 2/40-30-2	2	IN-VB 40-30-2	DN100/DN100	40.00	40.00	5.00	11.00	2 x 19.30	603.00
SFE 2/40-30	2	IN-VB 40-30	DN100/DN100	40.00	40.00	6.20	11.00	2 x 19.30	603.00
SFE 2/40-40-2	2	IN-VB 40-40-2	DN100/DN100	40.00	40.00	7.10	15.00	2 x 26.20	635.00
SFE 2/40-40	2	IN-VB 40-40	DN100/DN100	40.00	40.00	8.30	15.00	2 x 26.20	635.00
SFE 2/40-50-2	2	IN-VB 40-50-2	DN100/DN100	40.00	40.00	9.20	18.50	2 x 32.10	697.00
SFE 2/40-50	2	IN-VB 40-50	DN100/DN100	40.00	40.00	10.30	18.50	2 x 32.10	697.00
SFE 3/40-20-2	3	IN-VB 40-20-2	DN200/DN200	80.00	40.00	3.90	5.50	3 x 10.00	637.00
SFE 3/40-20	3	IN-VB 40-20	DN200/DN200	80.00	40.00	4.10	7.50	3 x 13.30	649.00
SFE 3/40-30-2	3	IN-VB 40-30-2	DN200/DN200	80.00	40.00	5.00	11.00	3 x 19.30	892.00
SFE 3/40-30	3	IN-VB 40-30	DN200/DN200	80.00	40.00	6.20	11.00	3 x 19.30	892.00
SFE 3/40-40-2	3	IN-VB 40-40-2	DN200/DN200	80.00	40.00	7.10	15.00	3 x 26.20	940.00
SFE 3/40-40	3	IN-VB 40-40	DN200/DN200	80.00	40.00	8.30	15.00	3 x 26.20	940.00
SFE 3/40-50-2	3	IN-VB 40-50-2	DN200/DN200	80.00	40.00	9.20	18.50	3 x 32.10	1033.00
SFE 3/40-50	3	IN-VB 40-50	DN200/DN200	80.00	40.00	10.30	18.50	3 x 32.10	1033.00
SFE 2/60-20-2	2	IN-VB 60-20-2	DN200/DN200	60.00	60.00	2.90	7.50	2 x 13.30	501.00
SFE 2/60-20	2	IN-VB 60-20	DN200/DN200	60.00	60.00	4.20	11.00	2 x 19.30	655.00
SFE 2/60-30-2	2	IN-VB 60-30-2	DN200/DN200	60.00	60.00	5.00	15.00	2 x 26.20	681.00
SFE 2/60-30	2	IN-VB 60-30	DN200/DN200	60.00	60.00	6.30	18.50	2 x 32.10	715.00
SFE 2/60-40-2	2	IN-VB 60-40-2	DN200/DN200	60.00	60.00	7.10	18.50	2 x 32.10	727.00
SFE 2/60-40	2	IN-VB 60-40	DN200/DN200	60.00	60.00	8.40	22.00	2 x 38.10	799.00
SFE 2/60-50-2	2	IN-VB 60-50-2	DN200/DN200	60.00	60.00	9.20	22.00	2 x 38.10	825.00
SFE 3/60-20	3	IN-VB 60-20	DN200/DN200	120.00	60.00	2.90	7.50	3 x 13.30	920.00
SFE 3/60-20-2	3	IN-VB 60-20-2	DN200/DN200	120.00	60.00	4.20	11.00	3 x 19.30	689.00
SFE 3/60-30-2	3	IN-VB 60-30-2	DN200/DN200	120.00	60.00	5.00	15.00	3 x 26.20	959.00
SFE 3/60-30	3	IN-VB 60-30	DN200/DN200	120.00	60.00	6.30	18.50	3 x 32.10	1010.00
SFE 3/60-40-2	3	IN-VB 60-40-2	DN200/DN200	120.00	60.00	7.10	18.50	3 x 32.10	1028.00
SFE 3/60-40	3	IN-VB 60-40	DN200/DN200	120.00	60.00	8.40	22.00	3 x 38.10	1136.00
SFE 3/60-50-2	3	IN-VB 60-50-2	DN200/DN200	120.00	60.00	9.20	22.00	3 x 38.10	1175.00
SFE 2/85-20-2	2	IN-VB 85-20-2	DN200/DN200	85.00	85.00	3.10	11.00	2 x 19.30	691.00
SFE 2/85-20	2	IN-VB 85-20	DN200/DN200	85.00	85.00	4.30	15.00	2 x 26.20	703.00
SFE 2/85-30-2	2	IN-VB 85-30-2	DN200/DN200	85.00	85.00	5.20	18.50	2 x 32.10	751.00
SFE 2/85-30	2	IN-VB 85-30	DN200/DN200	85.00	85.00	6.50	22.00	2 x 38.10	823.00
SFE 2/85-40	2	IN-VB 85-40	DN200/DN200	85.00	85.00	8.70	30.00	2 x 51.60	1027.00
SFE 3/85-20-2	3	IN-VB 85-20-2	DN200/DN200	170.00	85.00	3.10	11.00	3 x 19.30	974.00
SFE 3/85-20	3	IN-VB 85-20	DN200/DN200	170.00	85.00	4.30	15.00	3 x 26.20	992.00
SFE 3/85-30-2	3	IN-VB 85-30-2	DN200/DN200	170.00	85.00	5.20	18.50	3 x 32.10	1064.00
SFE 3/85-30	3	IN-VB 85-30	DN200/DN200	170.00	85.00	6.50	22.00	3 x 38.10	1172.00
SFE 3/85-40	3	IN-VB 85-40	DN200/DN200	170.00	85.00	8.70	30.00	3 x 51.60	1478.00



**Order information**

**Multicell SFE 2-30 to 2-100 with 2 to 6 pumps**

Type	Article no.	Net RRP	Gross RRP
SFE 2/2-30	562.2031.000	9,362.58 €	11,141.47 €
SFE 2/2-40	562.2041.000	9,408.02 €	11,195.54 €
SFE 2/2-50	562.2051.000	9,444.80 €	11,239.31 €
SFE 2/2-60	562.2061.000	9,662.23 €	11,498.05 €
SFE 2/2-70	562.2071.000	9,776.90 €	11,634.51 €
SFE 2/2-80	562.2081.000	9,895.89 €	11,776.11 €
SFE 2/2-90	562.2091.000	10,048.42 €	11,957.62 €
SFE 2/2-100	562.2101.000	10,207.44 €	12,146.85 €
SFE 3/2-30	563.2031.000	11,978.28 €	14,254.15 €
SFE 3/2-40	563.2041.000	12,042.09 €	14,330.09 €
SFE 3/2-50	563.2051.000	12,099.45 €	14,398.35 €
SFE 3/2-60	563.2061.000	12,428.29 €	14,789.67 €
SFE 3/2-70	563.2071.000	12,682.50 €	15,092.18 €
SFE 3/2-80	563.2081.000	12,945.38 €	15,405.00 €
SFE 3/2-90	563.2091.000	12,988.65 €	15,456.49 €
SFE 3/2-100	563.2101.000	13,247.17 €	15,764.13 €
SFE 4/2-30	564.2031.000	15,858.54 €	18,871.66 €
SFE 4/2-40	564.2041.000	15,943.99 €	18,973.35 €
SFE 4/2-50	564.2051.000	16,026.21 €	19,071.19 €
SFE 4/2-60	564.2061.000	16,480.55 €	19,611.85 €
SFE 4/2-70	564.2071.000	16,824.56 €	20,021.23 €
SFE 4/2-80	564.2081.000	17,201.00 €	20,469.19 €
SFE 4/2-90	564.2091.000	17,243.18 €	20,519.38 €
SFE 4/2-100	564.2101.000	17,618.54 €	20,966.06 €
SFE 5/2-30	565.0203.500	19,596.01 €	23,319.25 €
SFE 5/2-40	565.0204.500	19,678.19 €	23,417.05 €
SFE 5/2-50	565.0205.500	20,477.62 €	24,368.37 €
SFE 5/2-60	565.0206.500	20,741.73 €	24,682.66 €
SFE 5/2-70	565.0207.500	20,854.10 €	24,816.38 €
SFE 5/2-80	565.0208.500	20,896.25 €	24,866.54 €
SFE 5/2-90	565.0209.500	21,361.58 €	25,420.28 €
SFE 5/2-100	565.0210.500	22,325.73 €	26,567.62 €
SFE 6/2-30	566.0203.500	25,262.59 €	30,062.48 €
SFE 6/2-40	566.0204.500	25,343.74 €	30,159.05 €
SFE 6/2-50	566.0205.500	26,143.14 €	31,110.34 €
SFE 6/2-60	566.0206.500	26,407.26 €	31,424.64 €
SFE 6/2-70	566.0207.500	26,518.52 €	31,557.04 €
SFE 6/2-80	566.0208.500	26,559.63 €	31,605.96 €
SFE 6/2-90	566.0209.500	27,027.10 €	32,162.25 €
SFE 6/2-100	566.0210.500	28,193.23 €	33,549.94 €
Commissioning (Net)	INBK02	550.00 €	654.00 €
Maintenance	Wartung02		upon request

**Multicell SFE 4-30 to 4-100 with 2 to 6 pumps**

Type	Article no.	Net RRP	Gross RRP
SFE 2/4-30	562.4031.000	9,373.41 €	11,154.36 €
SFE 2/4-40	562.4041.000	9,470.77 €	11,270.22 €
SFE 2/4-50	562.4051.000	9,492.41 €	11,295.97 €
SFE 2/4-60	562.4061.000	9,675.23 €	11,513.52 €
SFE 2/4-70	562.4071.000	10,136.06 €	12,061.91 €
SFE 2/4-80	562.4081.000	10,486.55 €	12,478.99 €
SFE 2/4-90	562.0409.500	10,512.50 €	12,509.88 €
SFE 2/4-100	562.4101.000	10,599.04 €	12,612.86 €
SFE 3/4-30	563.4031.000	11,997.76 €	14,277.33 €
SFE 3/4-40	563.4041.000	12,138.37 €	14,444.66 €
SFE 3/4-50	563.4051.000	12,175.17 €	14,488.45 €
SFE 3/4-60	563.4061.000	12,447.77 €	14,812.85 €
SFE 3/4-70	563.4071.000	13,139.00 €	15,635.41 €
SFE 3/4-80	563.4081.000	13,563.05 €	16,140.03 €
SFE 3/4-90	563.0409.500	13,639.85 €	16,231.42 €
SFE 3/4-100	563.4101.000	13,726.41 €	16,334.43 €
SFE 4/4-30	564.4031.000	15,883.43 €	18,901.28 €
SFE 4/4-40	564.4041.000	16,082.46 €	19,138.13 €
SFE 4/4-50	564.4051.000	16,132.21 €	19,197.33 €
SFE 4/4-60	564.4061.000	16,505.43 €	19,641.46 €
SFE 4/4-70	564.4071.000	17,470.35 €	20,789.72 €
SFE 4/4-80	564.4081.000	18,101.01 €	21,540.20 €
SFE 4/4-90	564.0409.500	18,203.79 €	21,662.51 €
SFE 4/4-100	564.4101.000	18,286.00 €	21,760.34 €
SFE 5/4-30	565.0403.500	19,782.07 €	23,540.66 €
SFE 5/4-40	565.0404.500	20,156.36 €	23,986.07 €
SFE 5/4-50	565.0405.500	20,764.46 €	24,709.71 €
SFE 5/4-60	565.0406.500	20,964.58 €	24,947.85 €
SFE 5/4-70	565.0407.500	21,796.29 €	25,937.59 €
SFE 5/4-80	565.0408.500	21,848.22 €	25,999.38 €
SFE 5/4-90	565.0409.500	21,939.10 €	26,107.53 €
SFE 5/4-100	565.0410.500	22,453.47 €	26,719.63 €
SFE 6/4-30	566.0403.500	25,447.58 €	30,282.62 €
SFE 6/4-40	566.0404.500	25,821.87 €	30,728.03 €
SFE 6/4-50	566.0405.500	27,135.88 €	32,291.70 €
SFE 6/4-60	566.0406.500	27,619.45 €	32,867.15 €
SFE 6/4-70	566.0407.500	27,918.81 €	33,223.38 €
SFE 6/4-80	566.0408.500	28,346.01 €	33,731.75 €
SFE 6/4-90	566.0409.500	28,423.08 €	33,823.47 €
SFE 6/4-100	566.0410.500	28,882.89 €	34,370.64 €
Commissioning (Net)	INBK02	550.00 €	654.00 €
Maintenance	Wartung02		upon request



**Order information**

**Multicell SFE 6-30 to 4-100 with 2 to 6 pumps**

Type	Article no.	Net RRP	Gross RRP
SFE 2/6-30	562.0603.500	9,743.38 €	11,594.62 €
SFE 2/6-40	562.0604.500	9,978.12 €	11,873.96 €
SFE 2/6-50	562.0605.500	10,151.19 €	12,079.92 €
SFE 2/6-60	562.0606.500	10,974.41 €	13,059.55 €
SFE 2/6-70	562.0607.500	11,149.65 €	13,268.08 €
SFE 2/6-80	562.0608.500	11,905.80 €	14,167.90 €
SFE 2/6-90	562.0609.500	12,078.88 €	14,373.87 €
SFE 2/6-100	562.0610.500	12,254.13 €	14,582.41 €
SFE 3/6-30	563.0603.500	12,550.54 €	14,935.14 €
SFE 3/6-40	563.0604.500	12,904.25 €	15,356.06 €
SFE 3/6-50	563.0605.500	13,163.89 €	15,665.03 €
SFE 3/6-60	563.0606.500	14,296.47 €	17,012.80 €
SFE 3/6-70	563.0607.500	14,560.43 €	17,326.91 €
SFE 3/6-80	563.0608.500	15,674.64 €	18,652.82 €
SFE 3/6-90	563.0609.500	15,933.18 €	18,960.48 €
SFE 3/6-100	563.0610.500	16,197.13 €	19,274.58 €
SFE 4/6-30	564.0603.500	16,631.99 €	19,792.07 €
SFE 4/6-40	564.0604.500	17,112.29 €	20,363.63 €
SFE 4/6-50	564.0605.500	17,456.28 €	20,772.97 €
SFE 4/6-60	564.0606.500	19,078.92 €	22,703.91 €
SFE 4/6-70	564.0607.500	19,428.33 €	23,119.71 €
SFE 4/6-80	564.0608.500	20,973.08 €	24,957.97 €
SFE 4/6-90	564.0609.500	21,314.92 €	25,364.75 €
SFE 4/6-100	564.0610.500	21,666.49 €	25,783.12 €
SFE 5/6-30	565.0603.500	20,756.73 €	24,700.51 €
SFE 5/6-40	565.0604.500	21,507.63 €	25,594.08 €
SFE 5/6-50	565.0605.500	22,331.93 €	26,575.00 €
SFE 5/6-60	565.0606.500	22,365.77 €	26,615.27 €
SFE 5/6-70	565.0607.500	22,943.47 €	27,302.73 €
SFE 5/6-80	565.0608.500	23,950.42 €	28,501.00 €
SFE 5/6-90	565.0609.500	24,302.01 €	28,919.39 €
SFE 5/6-100	565.0610.500	24,836.55 €	29,555.49 €
SFE 6/6-30	566.0603.500	26,162.05 €	31,132.84 €
SFE 6/6-40	566.0604.500	26,423.31 €	31,443.74 €
SFE 6/6-50	566.0605.500	27,998.51 €	33,318.23 €
SFE 6/6-60	566.0606.500	28,233.29 €	33,597.62 €
SFE 6/6-70	566.0607.500	28,304.91 €	33,682.84 €
SFE 6/6-80	566.0608.500	28,956.45 €	34,458.18 €
SFE 6/6-90	566.0609.500	29,492.05 €	35,095.54 €
SFE 6/6-100	566.0610.500	29,838.23 €	35,507.49 €
Commissioning (Net)	INBK02	550.00 €	654.00 €
Maintenance	Wartung02		upon request

**Multicell SFE 10-30 to 10-100 with 2 to 6 pumps**

Type	Article no.	Net RRP	Gross RRP
SFE 2/10-30	562.8031.000	10,623.93 €	12,642.48 €
SFE 2/10-40	562.8041.000	11,601.84 €	13,806.19 €
SFE 2/10-50	562.8051.000	12,253.05 €	14,581.13 €
SFE 2/10-60	562.8061.000	12,871.81 €	15,317.45 €
SFE 2/10-70	562.8071.000	13,759.94 €	16,374.33 €
SFE 2/10-80	562.8081.000	14,002.25 €	16,662.68 €
SFE 2/10-90	562.8091.000	14,372.21 €	17,102.93 €
SFE 2/10-100	562.8101.000	14,827.63 €	17,644.88 €
SFE 3/10-30	563.8031.000	13,663.66 €	16,259.76 €
SFE 3/10-40	563.8041.000	15,175.96 €	18,059.39 €
SFE 3/10-50	563.8051.000	15,953.75 €	18,984.96 €
SFE 3/10-60	563.8061.000	16,150.62 €	19,219.24 €
SFE 3/10-70	563.8071.000	16,750.99 €	19,933.68 €
SFE 3/10-80	563.8081.000	17,013.86 €	20,246.49 €
SFE 3/10-90	563.8091.000	19,751.78 €	23,504.62 €
SFE 3/10-100	563.8101.000	20,047.10 €	23,856.05 €
SFE 4/10-30	564.8031.000	19,174.12 €	22,817.20 €
SFE 4/10-40	564.8041.000	21,273.81 €	25,315.83 €
SFE 4/10-50	564.8051.000	22,340.40 €	26,585.08 €
SFE 4/10-60	564.8061.000	22,619.51 €	26,917.22 €
SFE 4/10-70	564.8071.000	23,450.31 €	27,905.87 €
SFE 4/10-80	564.8081.000	23,817.01 €	28,342.24 €
SFE 4/10-90	564.8091.000	26,335.35 €	31,339.07 €
SFE 4/10-100	564.8101.000	26,729.09 €	31,807.62 €
SFE 5/10-30	565.1003.500	26,077.32 €	31,032.01 €
SFE 5/10-40	565.1004.500	27,167.01 €	32,328.74 €
SFE 5/10-50	565.1005.500	28,285.02 €	33,659.17 €
SFE 5/10-60	565.1006.500	29,241.47 €	34,797.35 €
SFE 5/10-70	565.1007.500	30,501.19 €	36,296.42 €
SFE 5/10-80	565.1008.500	31,365.67 €	37,325.15 €
SFE 5/10-90	565.1009.500	34,149.02 €	40,637.33 €
SFE 5/10-100	565.1010.500	34,539.13 €	41,101.56 €
SFE 6/10-30	566.1003.500	28,713.93 €	34,169.58 €
SFE 6/10-40	566.1004.500	29,803.61 €	35,466.30 €
SFE 6/10-50	566.1005.500	29,910.53 €	35,593.53 €
SFE 6/10-60	566.1006.500	31,762.16 €	37,796.97 €
SFE 6/10-70	566.1007.500	31,883.47 €	37,941.33 €
SFE 6/10-80	566.1008.500	32,347.91 €	38,494.01 €
SFE 6/10-90	566.1009.500	36,053.11 €	42,903.20 €
SFE 6/10-100	566.1010.500	37,703.66 €	44,867.36 €
Commissioning (Net)	INBK02	550.00 €	654.00 €
Maintenance	Wartung02		upon request

**Order information**

**Multicell SFE 15-20 to 15-100 with 2 to 6 pumps**

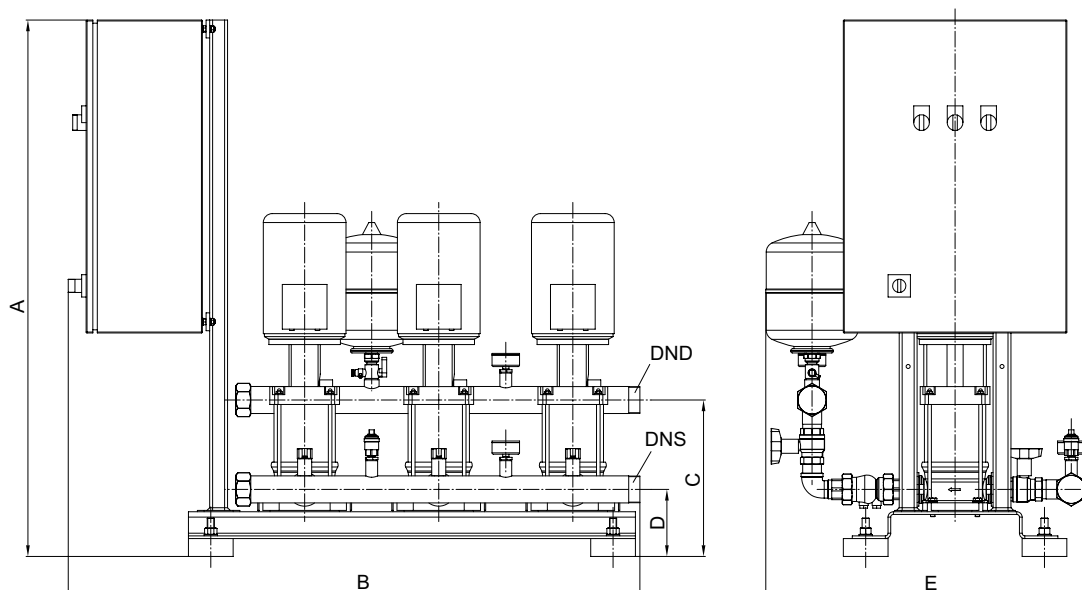
Type	Article no.	Net RRP	Gross RRP
SFE 2/15-20	562.9021.000	13,855.17 €	16,487.65 €
SFE 2/15-30	562.9031.000	14,566.13 €	17,333.69 €
SFE 2/15-40	562.9041.000	15,601.06 €	18,565.26 €
SFE 2/15-50	562.9051.000	18,041.71 €	21,469.63 €
SFE 2/15-60	562.9061.000	18,740.94 €	22,301.72 €
SFE 2/15-70	562.9071.000	19,487.74 €	23,190.41 €
SFE 2/15-80	562.9081.000	21,097.66 €	25,106.22 €
SFE 2/15-90	562.1509.500	21,653.81 €	25,768.03 €
SFE 2/15-100	562.9101.000	21,984.86 €	26,161.98 €
SFE 3/15-20	563.1502.500	19,199.50 €	22,847.41 €
SFE 3/15-30	563.1503.500	19,967.18 €	23,760.94 €
SFE 3/15-40	563.1504.500	21,357.24 €	25,415.12 €
SFE 3/15-50	563.1505.500	25,231.75 €	30,025.78 €
SFE 3/15-60	563.1506.500	26,534.75 €	31,576.35 €
SFE 3/15-70	563.1507.500	27,594.57 €	32,837.54 €
SFE 3/15-80	563.1508.500	30,166.18 €	35,897.75 €
SFE 3/15-90	563.1509.500	31,385.02 €	37,348.17 €
SFE 3/15-100	563.1510.500	31,831.09 €	37,879.00 €
SFE 4/15-20	564.1502.500	24,505.47 €	29,161.51 €
SFE 4/15-30	564.1503.500	25,753.02 €	30,646.09 €
SFE 4/15-40	564.1504.500	27,483.01 €	32,704.78 €
SFE 4/15-50	564.1505.500	30,739.95 €	36,580.54 €
SFE 4/15-60	564.1506.500	32,631.93 €	38,832.00 €
SFE 4/15-70	564.1507.500	33,519.52 €	39,888.23 €
SFE 4/15-80	564.1508.500	36,643.66 €	43,605.96 €
SFE 4/15-90	564.1509.500	38,633.82 €	45,974.25 €
SFE 4/15-100	564.1510.500	39,196.28 €	46,643.57 €
SFE 5/15-20	565.1502.500	29,408.90 €	34,996.59 €
SFE 5/15-30	565.1503.500	31,496.70 €	37,481.07 €
SFE 5/15-40	565.1504.500	33,660.69 €	40,056.22 €
SFE 5/15-50	565.1505.500	38,395.94 €	45,691.17 €
SFE 5/15-60	565.1506.500	40,314.94 €	47,974.78 €
SFE 5/15-70	565.1507.500	41,945.52 €	49,915.17 €
SFE 5/15-80	565.1508.500	46,873.97 €	55,780.02 €
SFE 5/15-90	565.1509.500	48,179.12 €	57,333.15 €
SFE 5/15-100	565.1510.500	48,835.12 €	58,113.79 €
SFE 6/15-20	566.1502.500	36,011.09 €	42,853.20 €
SFE 6/15-30	566.1503.500	38,653.86 €	45,998.09 €
SFE 6/15-40	566.1504.500	41,562.19 €	49,459.01 €
SFE 6/15-50	566.1505.500	45,581.54 €	54,242.03 €
SFE 6/15-60	566.1506.500	47,904.54 €	57,006.40 €
SFE 6/15-70	566.1507.500	50,228.70 €	59,772.15 €
SFE 6/15-80	566.1508.500	55,538.28 €	66,090.55 €
SFE 6/15-90	566.1509.500	57,248.48 €	68,125.69 €
SFE 6/15-100	566.1510.500	58,242.71 €	69,308.82 €
Commissioning (Net)	INBK02	550.00 €	654.00 €
Maintenance	Wartung02		upon request

**Multicell SFE 25-20 to 85-40 with 2 to 4 pumps**

Type	Article no.	Net RRP	Gross RRP
SFE 2/25-20	562.2502.500	18,655.76 €	22,200.35 €
SFE 2/25-30	562.2503.500	20,293.86 €	24,149.69 €
SFE 2/25-40	562.2504.500	22,319.87 €	26,560.65 €
SFE 2/25-50	562.2505.500	26,756.97 €	31,840.79 €
SFE 3/25-20	563.2502.500	26,068.39 €	31,021.38 €
SFE 3/25-30	563.2503.500	28,785.56 €	34,254.82 €
SFE 3/25-40	563.2504.500	31,451.73 €	37,427.56 €
SFE 3/25-50	563.2505.500	38,172.63 €	45,425.43 €
SFE 4/25-20	564.2502.501	32,901.49 €	39,152.77 €
SFE 4/25-30	564.2503.500	35,731.36 €	42,520.32 €
SFE 4/25-40	564.2504.500	39,250.57 €	46,708.18 €
SFE 4/25-50	564.2505.500	48,407.48 €	57,604.90 €
SFE 2/40-20-2	562.4002.250	24,835.76 €	29,554.55 €
SFE 2/40-20	562.4002.500	27,152.56 €	32,311.55 €
SFE 2/40-30-2	562.4003.250	30,186.59 €	35,922.04 €
SFE 2/40-30	562.4003.500	30,845.91 €	36,706.63 €
SFE 2/40-40-2	562.4004.250	33,039.86 €	39,317.43 €
SFE 2/40-40	562.4004.500	33,720.60 €	40,127.51 €
SFE 2/40-50-2	562.4005.500	36,740.01 €	43,720.61 €
SFE 2/40-50	562.4005.250	38,492.30 €	45,805.84 €
SFE 3/40-20-2	563.4002.250	37,271.51 €	44,353.10 €
SFE 3/40-20	563.4002.500	38,221.12 €	45,483.13 €
SFE 3/40-30-2	563.4003.250	43,390.96 €	51,635.24 €
SFE 3/40-30	563.4003.500	44,686.05 €	53,176.40 €
SFE 3/40-40-2	563.4004.250	48,046.04 €	57,174.79 €
SFE 3/40-40	563.4004.500	48,986.12 €	58,293.48 €
SFE 3/40-50-2	563.4005.250	52,888.43 €	62,937.23 €
SFE 3/40-50	563.4005.500	55,193.44 €	65,680.19 €
SFE 2/60-20-2	562.6002.250	35,377.66 €	42,099.42 €
SFE 2/60-20	562.6002.500	37,933.30 €	45,140.63 €
SFE 2/60-30-2	562.6003.250	39,950.34 €	47,540.90 €
SFE 2/60-30	562.6003.500	42,977.99 €	51,143.81 €
SFE 2/60-40-2	562.6004.250	44,335.34 €	52,759.05 €
SFE 2/60-40	562.6004.500	48,223.77 €	57,386.29 €
SFE 2/60-50-2	562.6005.250	53,678.68 €	63,877.63 €
SFE 3/60-20	563.6002.500	52,744.74 €	62,766.24 €
SFE 3/60-20-2	563.6002.250	47,108.71 €	56,059.36 €
SFE 3/60-30-2	563.6003.250	55,264.23 €	65,764.43 €
SFE 3/60-30	563.6003.500	58,804.74 €	69,977.64 €
SFE 3/60-40-2	563.6004.250	61,189.20 €	72,815.15 €
SFE 3/60-40	563.6004.500	66,390.15 €	79,004.28 €
SFE 3/60-50-2	563.6005.250	68,647.91 €	81,691.01 €
SFE 2/85-20-2	562.8502.250	45,281.33 €	53,884.78 €
SFE 2/85-20	562.8502.500	49,788.44 €	59,248.24 €
SFE 2/85-30-2	562.8503.250	53,291.45 €	63,416.83 €
SFE 2/85-30	562.8503.500	56,785.85 €	67,575.16 €
SFE 2/85-40	562.8504.500	62,266.45 €	74,097.08 €
SFE 3/85-20-2	563.8502.250	59,485.55 €	70,787.80 €
SFE 3/85-20	563.8502.500	65,599.94 €	78,063.93 €
SFE 3/85-30-2	563.8503.250	68,939.42 €	82,037.91 €
SFE 3/85-30	563.8503.500	74,562.44 €	88,729.30 €
SFE 3/85-40	563.8504.500	80,225.55 €	95,468.40 €
Commissioning (Net)	INBK02	550.00 €	654.00 €
Maintenance	Wartung02		upon request



## Dimensions



### Multicell SFE 2-30 to 2-100

Number of pumps	A	B	C	D	E
2	1200	990	340	150	710
3	1200	1320	350	150	720
4	1200	1730	360	150	780
5	1600	1890	360	150	800
6	1600	2330	360	150	830

### Multicell SFE 4-30 to 4-100 / Multicell SFE 6-30 to 6-100

Number of pumps	A	B	C	D	E
2	1200	990	340	150	710
3	1200	1320	350	150	720
4	1600	1730	360	150	780
5	1600	1890	360	150	800
6	1600	2330	360	150	830

### Multicell SFE 10-30 to 10-100

Number of pumps	A	B	C	D	E
2	1200	1020	410	180	840
3	1600	1320	430	180	850
4	1600	1730	460	180	930
5	1600	1890	460	180	1000
6	1600	2330	460	180	1000

### Multicell SFE 15-30 to 15-100

Number of pumps	A	B	C	D	E
2	1200	1200	450	190	1070
3	1600	1580	470	190	1100
4	1600	1970	470	190	1100
5	1700	2330	480	190	1100
6	1700	3000	510	190	1200

### Multicell SFE 25-20 to 25-50

Number of pumps	A	B	C	D	E
2	1200	1150	205	205	1085
3	1200	1720	205	205	1085
4	1600	2100	205	205	1180

### Multicell SFE 40-20-2 to 40-50

Number of pumps	A	B	C	D	E
2	1200	1220	240	240	1150
3	1600	1700	240	240	1320

### Multicell SFE 60-20-2 to 60-50-2

Number of pumps	A	B	C	D	E
2	1600	1220	240	240	1430
3	1600	1700	240	240	1430

### Multicell SFE 85-20-2 to 85-40

Number of pumps	A	B	C	D	E
2	1600	1220	240	240	1450
3	1600	1700	240	240	1450

Connections seen on the supply line:  
 Inlet right front side, pressure side right back side, switch box left as standard. Modifications possible on request.