



2025

Pool technologies and solutions



swimming pool
private > premium
> allround



Your own pool

For the simple
joys of life.



The right pump for everyone.



BADU SuperPro

> allround

The choice between an entry-level and a premium model depends mainly on your individual preferences and requirements. BADU private allround offers entry-level pumps designed to meet all basic needs without breaking the bank.



BADU Prime Neo VS



> premium

BADU private premium offers powerful products and solutions for the most demanding, large-scale applications.

Both segments stand for unrivalled, high-quality pool technology that bring your pool to life with the perfect pump for any application.

BADU® > allround fact checker

Well-informed for the right decision: The BADU fact checker. Relevant pump and counter swim unit features at a glance and in direct comparison.



Comparison of parameters	BADU	Picco II	Magic II	Top II
Power (m³/h)		5	4-11	8-14
Single phase 1~ 230 V*)		●	●	●
Three-phase 3~ 400/230 V*)		○	○	●
Connection option		V	V	2/1,5" IG
Variable speed control		○	○	○
GS symbol		●	●	●

*) Special voltages on request.

V - Union

IG - Inner thread

● - Yes

○ - No



SuperPro	Eco Touch-Pro II	JET Smart	JET Wave	JET Active Version 2
8-40	25	45	58	20
●	●	●	●	●
●	●	●	●	●
V	V	-	-	-
○	●	○	○	○
●	●	●	●	●

Scan for more detailed information regarding allround products:



Key

Circulation pumps



Performance

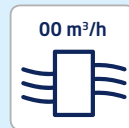
The maximum amount of water that can be transported by a pump. Specification in cubic metres per hour (m³/h). 1 cubic metre = 1,000 litres.



Motor control

Type of external motor control:
D - Digital potential-free
A - Analogue 0-10 V and 4-20 mA
R - RS485/modbus RTU

Counter swim units



Performance

The maximum amount of water that can be transported by a pump. Specification in cubic metres per hour (m³/h). 1 cubic metre = 1,000 litres.



Pool type - above ground

The pool type for which a counter swim unit is suitable. Above ground pools are free standing pools on a level surface.



Pool type - partially-submerged

The pool type for which a counter swim unit is suitable. Partially-submerged pools are partly built-in to the ground.



Pool type - built-in

The pool type for which a counter swim unit is suitable. Built-in pools are completely submerged in the ground.



POOL TECHNOLOGY **12**

OPERATION **110**

ACCESSORIES **132**

SERVICE **140**

 badu.de



 [YouTube](#)



 [Instagram](#)



 [Facebook](#)

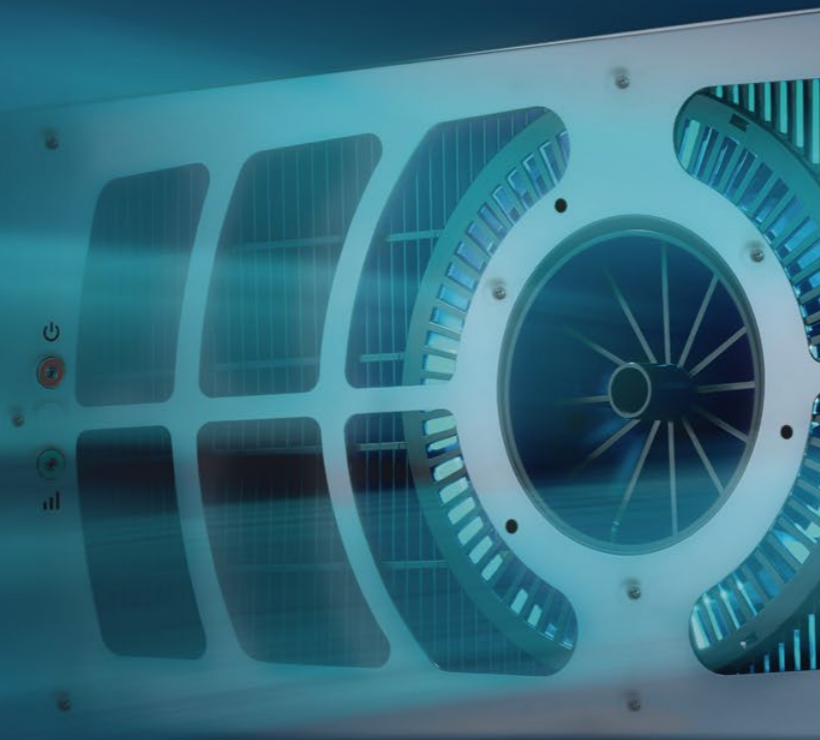


 [LinkedIn](#)



Sophistication

Five star pool
technology:
in performance,
quality and design.





Since the early 1960s the BADU brand has been linked with everything that brings a pool to life: pumps, counter swim units and massage nozzles. Filter units, swimming pool solar panels, regulators, control units, backwash units etc. The well-known BADU quality is what brings them all together. If you're looking for the best, then BADU is absolutely right for you.



BADU JET Turbo Pro >
Submerged Counter swim unit
on page 90.



BADU Green

Enjoy your pool with a clear conscience whilst saving energy and protecting the environment. The efficient and intelligent BADU Green products use innovative technology for maximum sustainability in production and operation. The aim is always to run your swimming pool as environmentally and economically friendly as possible.

Product warranty

Every BADU product comes with a 2 year warranty. If something does not function as intended, please contact your specialist dealer or the BADU customer service. More information under badu.de

Get started

4

It's so simple
with BADU.



6



5



1

3

2



How long have you been dreaming of your own pool?
Make your dreams come true – it's much easier than you think.
The modern BADU technology takes away all of the risks
and problems that are often associated with a private pool.
Enjoy your pool - the place where you can relax and work out
that you never want to give up.

How a pool works

The heart of your pool is the circulation pump (1).
It generates a water cycle for fresh and hygienic water.
Pool water is pumped into the filter (2) via a skimmer or
floor drainage and is cleaned mechanically. The clean
water flows back into the pool. An automatic backwash
valve (3) is integrated in order to control the intake of pool
water and clean water and to clean the filter.

On its way back into the pool, the clean, filtered water
can also be bypassed through the solar panel (4).
It is warmed by the sun and then led back into the pool.
If the water temperature is sufficient the bypass can even
be separated from the water cycle fully automatically.

Counter swim units provide flowing water.
There are systems which hang over (5) the pool wall
or ones which are built-in (6) to the pool wall.
A power supply is all you need for both installation types.
The pump installed draws water from the pool and returns
it directly to the pool via jet nozzles.

BADU pool technology

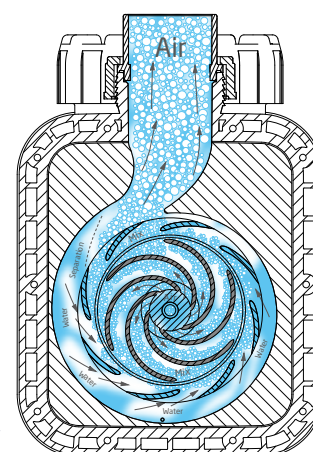
- 1 Circulation pump
- 2 Filter (all manufacturers and brands)
- 3 Automatic backwash valve
- 4 Solar panel
- 5 Overhang counter swim unit
- 6 Submerged counter swim unit

How a pump works

Today centrifugal pumps are normally used in private
and public pools and swimming baths. There are two
different models:

Self-priming pumps can be placed above or below
the water level. Following initial filling, they can draw in
water independently and are able to pump the air found
in the pipe out of the water cycle.

Non-self-priming pumps can only be placed below
the water level. The air drawn in, for example if the pump
is used to operate a pool cleaner, leads to a breakdown in
the pump's performance and the pump has to be refilled.



Functional diagram
Cross section of the
BADU Delta, self-priming,
centrifugal pump.

Products not listed in the catalogue can be found on our website at **badu.de**





POOL TECHNOLOGY

BADU Green circulation pumps, energy-saving	16
Circulation pumps, self-priming	40
Circulation pumps, non-self-priming	68
Circulation pumps, lantern version	84
Counter swim units	86



Circulation pumps, energy-saving

Self-priming and non-self-priming circulation pumps are often the heart of a pool. Therefore the efficiency of your pump significantly determines the economic efficiency of your whole swimming pool unit and not least our environment and natural resources. That's what BADU Green products from our BADU Premium range stand for.

Product overview



BADU Prime Neo VS
Performance: 28 m³/h
Page 18



BADU Eco Future
Performance: 30 m³/h
Page 20



BADU Delta Eco VS
Performance: 30 m³/h
Page 22



BADU Alpha Eco Soft
Performance: 20 m³/h
Page 24



BADU Eco Soft
Performance: 25 m³/h
Page 26



BADU EasyFit Eco VS
Performance: 28 m³/h
Page 28



BADU Gamma Eco VS
Performance: 28 m³/h
Page 30



BADU Delta-MK Eco VS
Performance: 30 m³/h
Page 32



BADU Eco Flex
Performance: 45 m³/h
Page 34

The pumps pictured above can be used for pool water with a salt concentration of up to 0.5 %, i.e. 5 g/l. For higher salt concentrations please contact us.

BADU[®] Fact checker

Well-informed for the right decision: The BADU fact checker.
Relevant pump features at a glance and in direct comparison.



Comparison of parameters	BADU	Prime Neo VS	Eco Future	Delta Eco VS	Alpha Eco Soft
Flow rate Q max. (m ³ /h)		30	37	37	20
Power input P1 (kW)		0.03-1.40	0.03-1.40	0.03-1.40	0.04-0.75
Power output P2 (kW)		0.01-1.10	0.01-1.10	0.01-1.10	0.02-0.50
Single phase 1~ 230 V*)		●	●	●	●
Three-phase 3~ 400/230 V*)		○	○	○	○
LED transparent lid		●	●	●	○
Lid opening device		●	●	●	●
Separable strainer basket		○	●	●	○
Glue socket d (mm)		-	63	63	50
Glue socket materials		-	PVC-U	PVC-U	ABS
Connection options		2/1.5" IG	V	V	V
Motor control		D, A, R	D, A, R	D	D, A
Motor performance P (%)		5-100	5-100	5-100	5-100
Motor speed n (rpm)		600-3000	600-3000	600-3000	800-2850
Sound pressure level L _{pa} (1m) [dB(A)]		34.4-61.3	35.9-65.3	35.7-66.5	36.7-64.1
GS symbol		●	●	●	●
Catalogue page		18	20	22	24

*) Special voltages on request.
V - Union
IG - Inner thread
● - Yes
○ - No

**) Pipework adjustments may be necessary
D - Digital potential-free
A - Analogue 0 - 10 V and 4 - 20 mA
R - RS485



BADU® Green App

Calculate the energy efficiency and performance of your BADU Green circulation pump.

Right from the start BADU Green circulation pumps were designed for the best possible efficiency and therefore also with the environment in mind. However, whether or not a pump is the right choice for you, is a different question. You can find the answer easily by using the BADU Green App for iOS and Android operating systems.



Eco Soft	EasyFit Eco VS	Gamma Eco VS	Delta-MK Eco VS	Eco Flex
25	30	37	37	45
0.06-1.10	0.03-1.40	0.03-1.40	0.48-1.80	0.08-2.60
0.03-0.75	0.03-1.40	0.01-1.10	0.37-1.40	0.05-2.20
●	●	●	●	●
○	○	○	○	○
○	○	○	●	○
●	●	●	●	●
○	●	○	●	○
63/50	63	63	63	90
ABS	ABS	PVC-U	PVC-U	ABS
V	V/IG	V/2" IG	V	V
D, A	D	D	D	D, A, R
5-100	5-100	5-100	-	5-100
800-2850	600-3000	600-3000	2000-3000	600-3000
36.7-64.1	35.4-67.3	34.5-64.2	50.3-66.5	39.2-72.8
●	●	●	●	○
26	28	30	32	34

BADU® Prime Neo VS

Immerse yourself in a new era of water treatment and pump technology that combines efficiency and intelligence.

Field of application

Swimming pool water circulation through a filter system. The pump can be installed max. 3 m above or below water level.

Design

Monoblock-type pump with integrated strainer tank. The bellow-type mechanical seal is mounted on a plastic shaft protector sleeve.

Motor/pump shaft has no contact with the pool water providing complete electrical separation.

Strainer tank capacity approx. 3 l

Strainer basket mesh size approx. 3.2 x 2.6 mm

Can be controlled using the BADU NetLink remote control. See page 120.

Materials used

Pump housing	PP GF 30
Intermediate housing	PP TV 40
Gland housing	PP TV 40
Diffuser	PA 66 GF 30
Impeller	PP GF 30
Strainer basket.....	PP
Lid	PC, transparent/PA 66 GF 30
Mechanical seal	carbon/ceramic/NBR
Screws	stainless steel
Elastomers	NBR/Viton

Technical data at 50/60 Hz	BADU	Prime Neo VS
Inlet Sa/outlet connection Da Rp ²⁾		2/1½
Rec. inlet/outlet pipe, PVC pipe, d ⁴⁾		63/63
Power input P ₁ /output P ₂ ¹⁾ (kW)	1~ 230 V	0.03-1.40/0.01-1.10
Rated current (A)	1~ 230 V	0.50-6.10
Sound pressure level Lpa (1m) [dB(A)]		34.4-61.3

For more detailed information regarding the motor protection please see page 147.

Technical data may vary.

Article no	Description	Voltage	Power output P ₂	Net RRP	Gross RRP ⁷⁾
219.7203.038	BADU Prime Neo VS	1~ 230 V	1.10 kW	1,367.60 €	1,627.44 €

Universal opening device included in delivery. See page 136..



< New generation of motors with extended control options



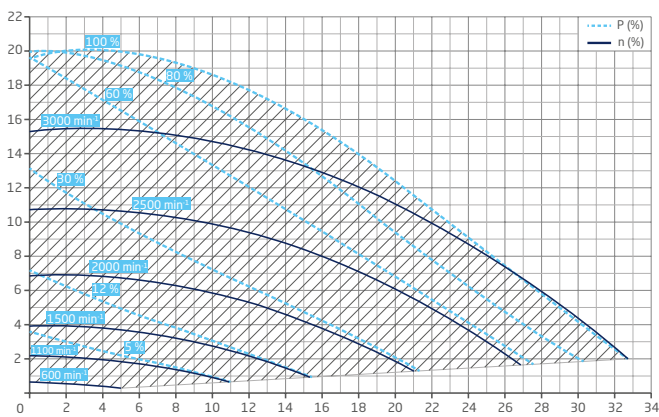
www.tuv.com
ID 0000021507



Pending approval.

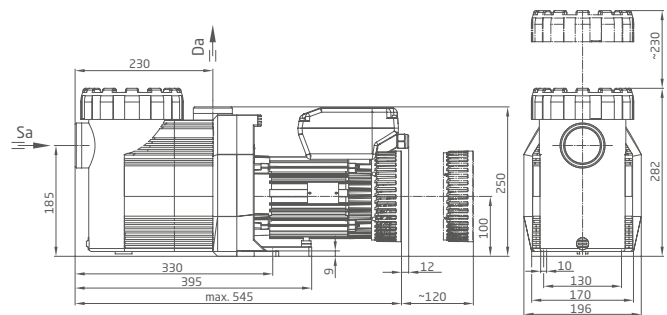


Characteristics



^ Total dynamic head H (m) / Flow rate Q (m³/h) >

Dimensions



Detailed dimensions available on request.

BADU® Eco Future

Circulation pumps, energy-saving

The unprecedented novelty made of bio-based plastic.
Combines innovation with design and maximum sustainability.

Field of application

Swimming pool water circulation through a filter system.
The pump can be installed max. 3 m above or below water level.

Design

Monoblock-type pump with integrated strainer tank. The bellow-type mechanical seal is mounted on a plastic shaft protector sleeve.

Motor/pump shaft has no contact with the pool water providing complete electrical separation.

Strainer tank capacity approx. 3 l

Strainer basket mesh size approx. 2.2 x 2.2 mm

Can be controlled with the BADU NetLink pump remote control. See page 120.

Materials used

Pump housing	bio-based p.
Intermediate housing	bio-based p.
Gland housing	bio-based p.
Spiral insert	bio-based p.
Unions/glue sockets	ABS/PVC-U
Diffuser	bio-based p.
Impeller	PPE GF 30
Strainer basket	bio-based p.
Lid	PC, transparent/bio-based p.
Mechanical seal	carbon/ceramic/NBR
Screws	stainless steel
Elastomers	NBR/Viton

bio-based p. - bio-based plastic

Technical data at 50/60 Hz	BADU	Eco Future
Inlet Sa/outlet connection Da ⁴⁾		63/63
Rec. inlet/outlet pipe, PVC pipe, d ⁴⁾		63/63
Power input P ₁ /output P ₂ ¹⁾ (kW)	1~ 230 V	0.03-1.40/0.01-1.10
Rated current (A)	1~ 230 V	0.50-6.10
Sound pressure level Lpa (1m) [dB(A)]		35.9-65.3

For more detailed information regarding the motor protection please see page 147.

Technical data may vary.

Article no	Description	Voltage	Power output P ₂	Net RRP	Gross RRP ⁷⁾
210.6000.038	BADU Eco Future	1~ 230 V	1.10 kW	1,599.00 €	1,902.81 €

Universal opening device included in delivery. See page 136..



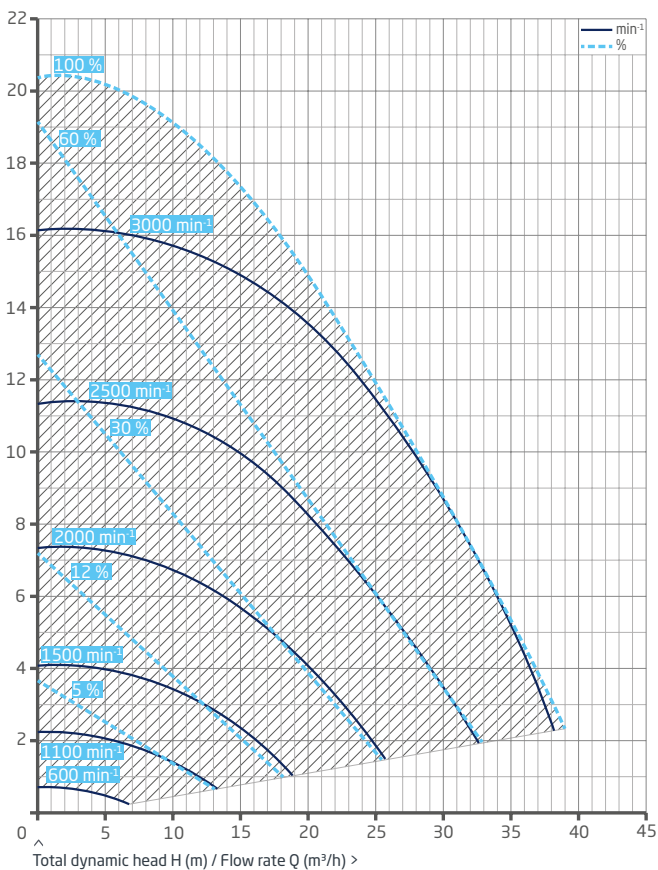
< New generation of motors with extended control options

Housing made of bio-based plastic >

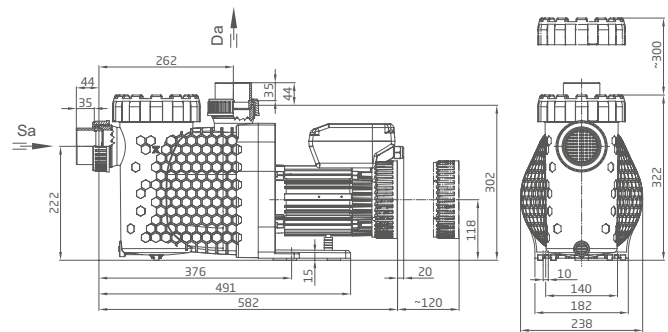


www.tuv.com
ID 0000021507

Characteristics



Dimensions



Detailed dimensions available on request or at badu.de

BADU® Delta Eco VS

New high-class standard with speed control.
High-quality filter and circulation pump for professionals.

Field of application

Swimming pool water circulation through a filter system.
The pump can be installed max. 3 m above or below water level.

Design

Monoblock-type pump with integrated strainer tank. The bellow-type mechanical seal is mounted on a plastic shaft protector sleeve.

Motor/pump shaft has no contact with the pool water providing complete electrical separation.

Strainer tank capacity approx. 4 l

Strainer basket mesh size approx. 2.2 x 2.2 mm

Can be controlled with the BADU NetLink pump remote control. See page 120.

Materials used

Pump housing	PP GF 30
Intermediate housing	PP GF 30
Gland housing	PP GF 30
Unions/glue sockets	ABS/PVC-U
Diffuser	PP GF 30
Impeller	PPE GF 30
Strainer basket	PP
Lid	PC, transparent/PA 66 GF 30
Mechanical seal	carbon/ceramic/NBR
Screws	stainless steel
Elastomers	NBR/Viton

Technical data at 50/60 Hz	BADU	Delta Eco VS
Inlet Sa/outlet connection Da ⁴⁾		63/63
Rec. inlet/outlet pipe, PVC pipe, d ⁴⁾		63/63
Power input P ₁ /output P ₂ ¹⁾ (kW)	1~ 230 V	0.03-1.40/0.01-1.10
Rated current (A)	1~ 230 V	0.50-6.10
Sound pressure level Lpa (1m) [dB(A)]		35.7-66.5

For more detailed information regarding the motor protection please see page 147.

Technical data may vary.

Article no	Description	Voltage	Power output P ₂	Net RRP	Gross RRP ⁷⁾
210.3281.138	BADU Delta Eco VS	1~ 230 V	1.10 kW	1,538.55 €	1,830.87 €

Universal opening device included in delivery. See page 136..



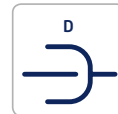
Transparent lid with integrated LED lighting



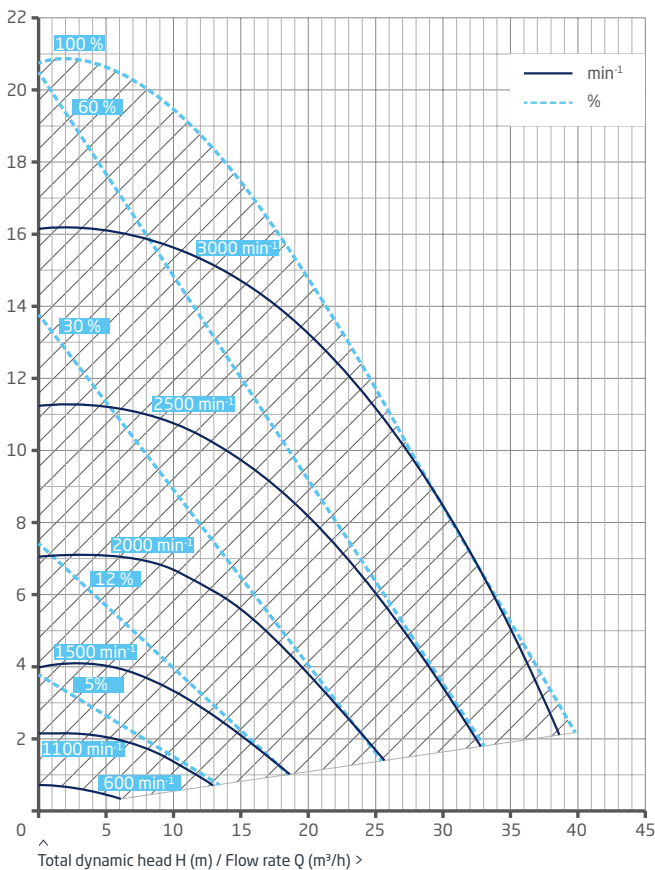
Impeller fan and guard for reduced operating noise



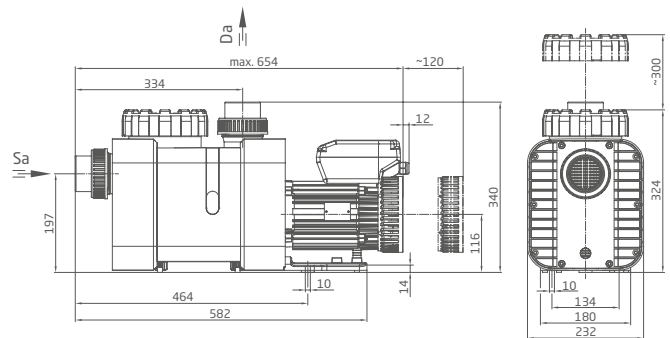
www.tuv.com
ID 0000021507



Characteristics



Dimensions



Detailed dimensions available on request or at badu.de

BADU® Alpha Eco Soft

Circulation pumps, energy-saving

New standard for small pools with variable speed motor.
The most efficient pump ever.

Field of application

Swimming pool water circulation through a filter system.
The pump can be installed max. 2 m above or 3 m below water level.

Design

Monoblock-type pump with integrated strainer tank. The bellow-type mechanical seal is mounted on a plastic shaft protector sleeve.

Motor/pump shaft has no contact with the pool water providing complete electrical separation.

Strainer tank capacity approx. 1.0 l

Strainer basket mesh size approx. 2.8 x 2.8 mm

Can be controlled using the BADU NetLink remote control.
See page 120.

Materials used

Pump housing	PP
Gland housing	PP GF 30
Impeller	PPE GF 30
Strainer basket	PP
Lid	PC, transparent/ABS
Glue sockets	ABS
Mechanical seal	carbon/ceramic/NBR
Screws	stainless steel
Elastomers	NBR

Technical data at 50/60 Hz	BADU	Alpha Eco Soft
Inlet Sa/outlet connection Da d ⁴⁾		50/50
Rec. inlet/outlet pipe, PVC pipe, d ⁴⁾		50/50
Power input P ₁ /output P ₂ ¹⁾ (kW)	1~ 230 V	0.04-0.75/0.02-0.50
Rated current (A)	1~ 230 V	0.30-3.20
Sound pressure level Lpa (1m) [dB(A)]		36.7-64.1

For more detailed information regarding the motor protection please see page 147.

Technical data may vary.

Article no	Description	Voltage	Power output P ₂	Net RRP	Gross RRP ⁷⁾
210.4000.038	BADU Alpha Eco Soft	1~ 230 V	0.50 kW	954.71 €	1,136.10 €

Universal opening device included in delivery. See page 136..



< With analogue input
0-10 V and 4-20 mA

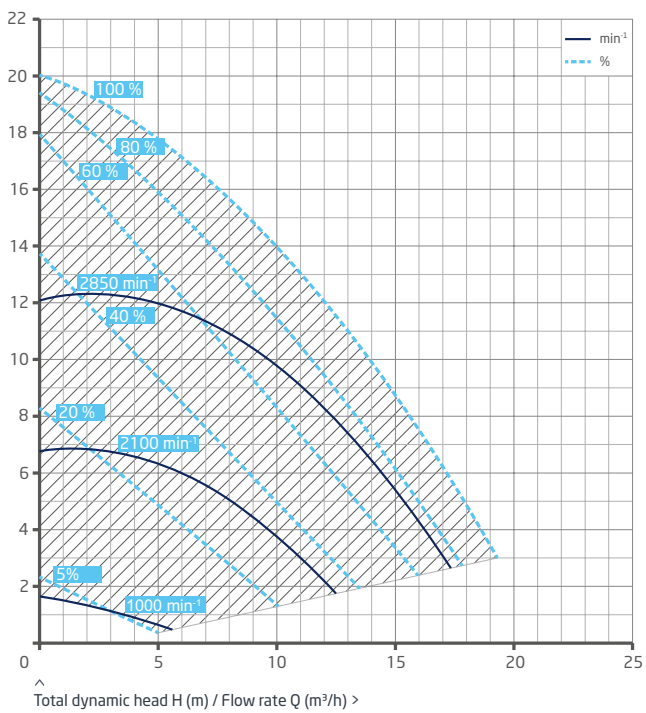
< Noise-optimised motor.
Ideal use of the motor
capacity



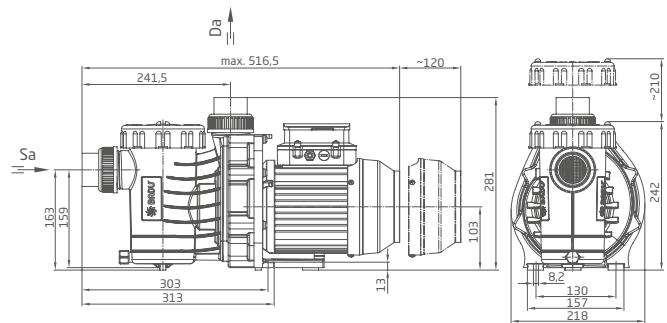
www.tuv.com
ID 0000021507



Characteristics



Dimensions



Detailed dimensions available on request or at badu.de

BADU® Eco Soft

Intelligent, fast and quiet.

Highly efficient circulation pump that makes full use of its capacity.

Field of application

Swimming pool water circulation through a filter system.
The pump can be installed max. 3 m above or below water level.

Design

Monoblock-type pump with integrated strainer tank. The bellow-type mechanical seal is mounted on a plastic shaft protector sleeve.

Motor/pump shaft has no contact with the pool water providing complete electrical separation.

Strainer tank capacity approx. 3 l

Strainer basket mesh size approx. 3.2 x 2.6 mm

Can be controlled using the BADU NetLink remote control.
See page 120.

Materials used

Pump housing	PP TV 20
Intermediate housing	PP TV 40
Gland housing	PP TV 40
Diffuser	PA 6 GF 15
Impeller	PA 66 GF 30
Strainer basket	PP
Lid	PC, transparent/PA 66 GF 30
Glue sockets	ABS
Mechanical seal	carbon/ceramic/NBR
Screws	galvanised stainless steel
Elastomers	NBR

Technical data at 50/60 Hz	BADU	Eco Soft
Inlet Sa/outlet connection Da d ⁴⁾		63/50
Rec. inlet/outlet pipe, PVC pipe, d ⁴⁾		63/50
Power input P ₁ /output P ₂ ¹⁾ (kW)	1~ 230 V	0.06-1.10/0.03-0.75
Rated current (A)	1~ 230 V	0.45-5.00
Sound pressure level Lpa (1m) [dB(A)]		36.7-64.1

For more detailed information regarding the motor protection please see page 147.

Technical data may vary.

Article no	Description	Voltage	Power output P ₂	Net RRP	Gross RRP ⁷⁾
219.0008.138	BADU Eco Soft	1~ 230 V	0.75 kW	1,222.64 €	1,454.94 €

Universal opening device included in delivery. See page 136.

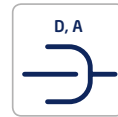


< With analogue input
0-10 V and 4-20 mA

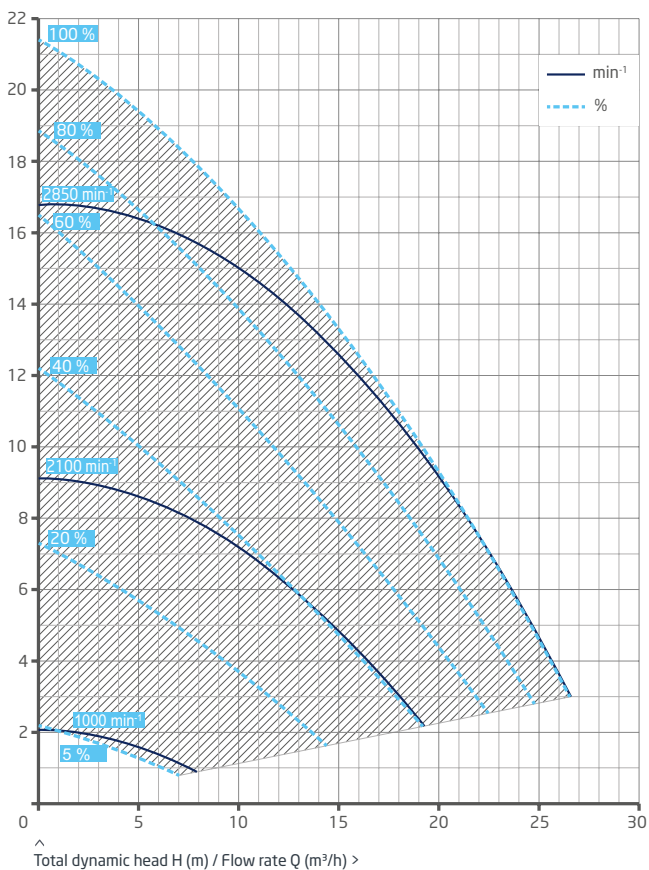
< Noise-optimised motor.
Ideal use of the motor capacity



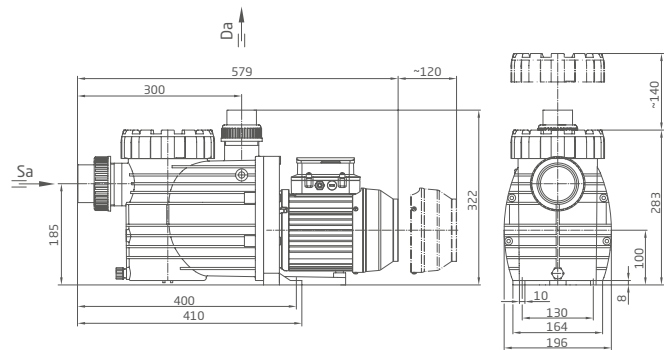
www.tuv.com
ID 0000021507



Characteristics



Dimensions



Detailed dimensions available on request or at badu.de

BADU® EasyFit Eco VS

Universal pump with great genes.
Broad field of application with high flexibility.

Field of application

Swimming pool water circulation through a filter system.
The pump can be installed max. 3 m above or below water level.

Design

Monoblock-type pump with integrated strainer tank. The bellow-type mechanical seal is mounted on a plastic shaft protector sleeve.

Motor/pump shaft has no contact with the pool water providing complete electrical separation.

Strainer tank capacity approx. 3 l

Strainer basket mesh size approx. 3.2 x 2.6 mm

Materials used

Pump housing	PP GF 30
Intermediate housing	PP GF 30
Gland housing	PP TV 40
Diffuser	PA 66 GF 30/PP GF 30
Impeller	PP GF 30
Strainer basket	PP
Lid	PC, transparent/PP GF 30
Glue sockets	ABS
Mechanical seal	carbon/ceramic/NBR
Screws	stainless steel
Elastomers	NBR/Viton

For connection variations please see page 56.

Can be controlled using the BADU NetLink remote control. See page 120.

Technical data at 50/60 Hz	BADU	EasyFit Eco VS
Inlet Sa/outlet connection Da d ⁴⁾		63/63
Rec. inlet/outlet pipe, PVC pipe, d ⁴⁾		63/63
Power input P ₁ /output P ₂ ¹⁾ (kW)	1~ 230 V	0.03-1.40/0.01-1.10
Rated current (A)	1~ 230 V	0.50-6.10
Sound pressure level L _{pa} (1m) [dB(A)]		35.4-67.3

For more detailed information regarding the motor protection please see page 147.

Technical data may vary.

Article no	Description	Voltage	Power output P ₂	Net RRP	Gross RRP ⁷⁾
207.6261.138	BADU EasyFit Eco VS	1~ 230 V	1.10 kW	1,374.60 €	1,635.77 €

Universal opening device included in delivery. See page 136.



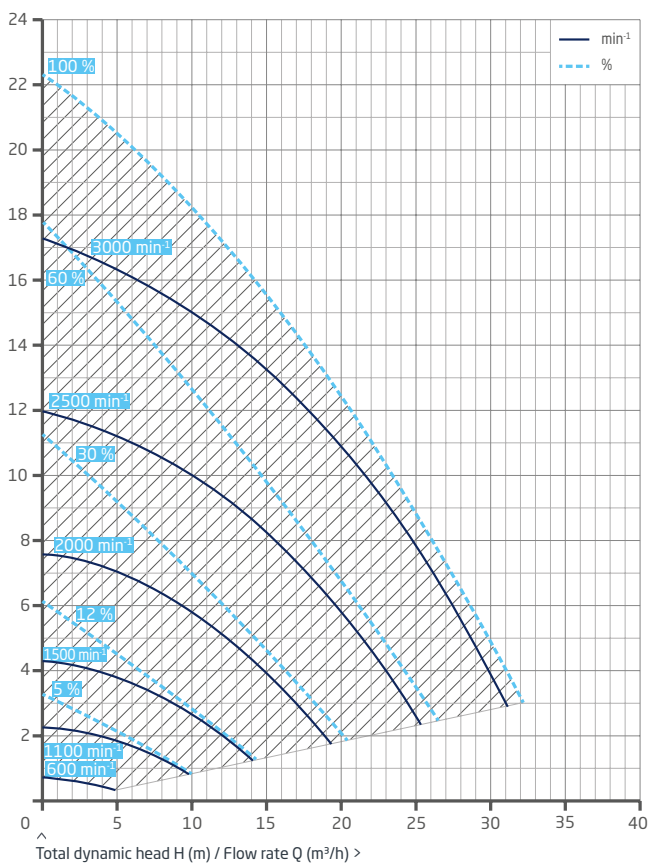
< Motor display with intuitive control



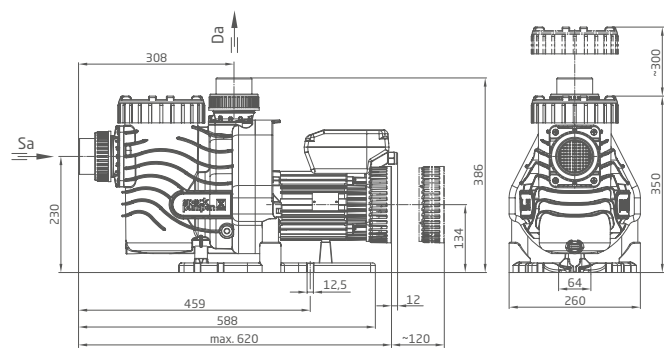
www.tuv.com
ID 0000021507



Characteristics



Dimensions



Detailed dimensions available on request or at badu.de

BADU® Gamma Eco VS

Circulation pumps, energy-saving

The new bestseller with variable PM motor based on our BADU Prime. Efficient, modern, thought out.

Field of application

Swimming pool water circulation through a filter system. The pump can be installed max. 3 m above or below water level.

Design

Monoblock-type pump with integrated strainer tank. The bellow-type mechanical seal is mounted on a plastic shaft protector sleeve.

Motor/pump shaft has no contact with the pool water providing complete electrical separation.

Strainer tank capacity approx. 3 l

Strainer basket mesh size approx. 3.2 x 2.6 mm

Can be controlled using the BADU NetLink remote control. See page 120.

Materials used

Pump housing	PP GF 30
Intermediate housing	PP TV 40
Gland housing	PP TV 40
Diffuser	PA 66 GF 30/PP GF 30
Impeller	PP GF 30
Strainer basket	PP
Lid	PC, transparent/PA 66 GF 30
Mechanical seal	carbon/ceramic/NBR
Screws	stainless steel
Unions/glue sockets	ABS/PVC-U
Elastomers	NBR/Viton

Technical data at 50/60 Hz	BADU	Gamma Eco VS
Inlet Sa/outlet connection Da d ⁴⁾		63/63
Rec. inlet/outlet pipe, PVC pipe, d ⁴⁾		63/63
Power input P ₁ /output P ₂ ¹⁾ (kW)	1~ 230 V	0.03-1.40/0.01-1.10
Rated current (A)	1~ 230 V	0.50-6.10
Sound pressure level Lpa (1m) [dB(A)]		34.5-64.2

For more detailed information regarding the motor protection please see page 147.

Technical data may vary.

Article no	Description	Voltage	Power output P ₂	Net RRP	Gross RRP ⁷⁾
210.5231.138	BADU Gamma Eco VS	1~ 230 V	1.10 kW	1,486.56 €	1,769.01 €

Universal opening device included in delivery. See page 136.



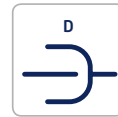
With inner and outer thread



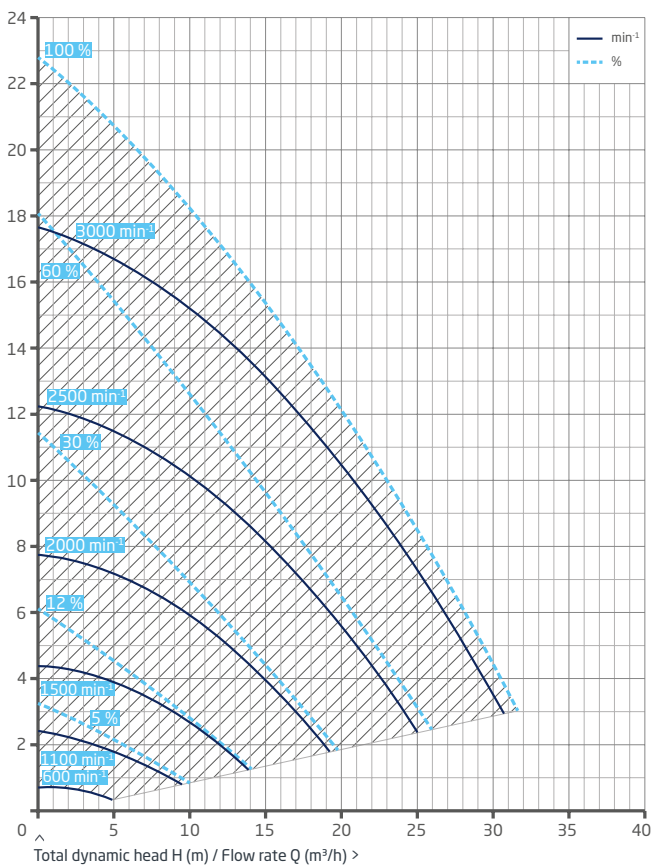
< Motor display with intuitive control



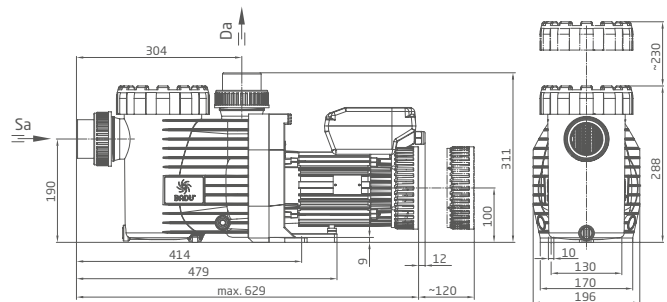
www.tuv.com
ID 0000021507



Characteristics



Dimensions



Detailed dimensions available on request or at badu.de

BADU® Delta-MK Eco VS

Sealless pump for the pool.
Speed controlled and quiet.

Fields of application

Swimming pool water circulation through a filter system.
The pump can be installed max. 1.5 m above or 3 m below water level.

Design

Monoblock-type pump with integrated strainer tank.
Motor/pump shaft has no contact with the pool water providing complete electrical separation.
Strainer tank capacity approx. 4 l
Strainer basket mesh size approx. 2.2 x 2.2 mm

Can be controlled with the BADU NetLink pump remote control. See page 120.

Materials used

Pump housing	PP GF 30
Intermediate housing/gland housing	PP GF 30
Lid for gland housing	PP GF 10
Can	PP GF 30
Intermediate flange	PP GF 30
Pump feet	ABS GF 20
Unions/glue sockets	ABS/PVC-U
Diffuser	PP GF 30
Impeller	PPE GF 30
Strainer basket	PP
Lid	PC, transparent/PA 66 GF 30
Slide bearing	SiC/SiC
Elastomers	NBR
Screws	stainless steel

Technical data at 50/60 Hz	BADU	Delta-MK Eco VS
Inlet Sa/outlet connection Da ⁴⁾		63/63
Rec. inlet/outlet pipe, PVC pipe, d ⁴⁾		63/63
Power input P ₁ /output P ₂ ¹⁾ (kW)	1~ 230 V	0.48-1.80/0.37-1.40
Rated current (A)	1~ 230 V	2.15-7.80
Sound pressure level Lpa (1m) [dB(A)]		50.3-66.5

For more detailed information regarding the motor protection please see page 147.

Technical data may vary.

Article no	Description	Voltage	Power output P ₂	Net RRP	Gross RRP ⁷⁾
210.3281.438	BADU Delta-MK Eco VS	1~ 230 V	1.40 kW	1,877.46 €	2,234.18 €

Universal opening device included in delivery. See page 136.



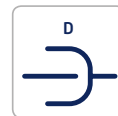
Transparent lid with integrated LED lighting



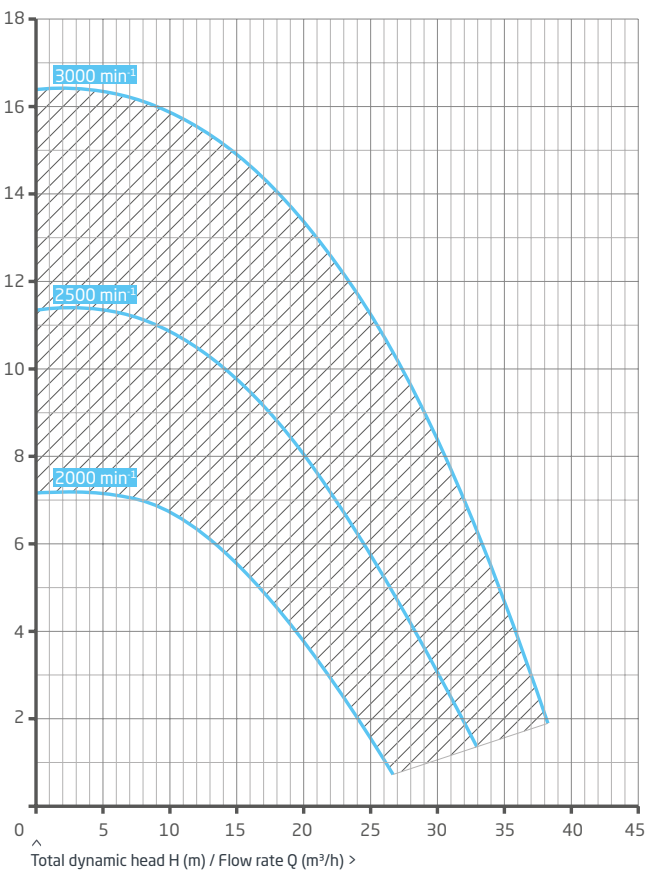
Circulation pumps, energy-saving



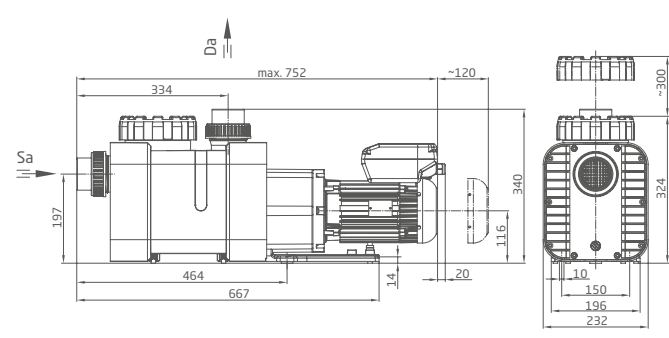
www.tuv.com
ID 0000021507



Characteristics



Dimensions



Detailed dimensions available on request or at badu.de

BADU® Eco Flex

Circulation pumps, energy-saving

Variable speed motor with the latest, highly efficient motor technology.
Circulation pump with proven controls for large pools.

Field of application

Swimming pool water circulation through a filter system.
The pump can be installed max. 3 m above or below water level.

Design

Monoblock-type pump with integrated strainer tank. The bellow-type mechanical seal is mounted on a plastic shaft protector sleeve.

Motor/pump shaft has no contact with the pool water providing complete electrical separation.

Strainer tank capacity approx. 6 l

Strainer basket mesh size approx. 3.0 x 2.8 mm

Materials used

Pump housing	PP GF 30
Intermediate housing	PP GF 30
Gland housing	PP TV 40
Diffuser	PP GF 30
Impeller	PPE GF 30
Strainer basket	PP
Lid	PC, transparent/PA 66 GF 30
Glue sockets	ABS
Mechanical seal	carbon/ceramic/NBR
Screws	stainless steel
Elastomers	NBR/Viton

Technical data at 50/60 Hz	BADU	Eco Flex
Inlet Sa/outlet connection Da d ⁴⁾		90/90
Rec. inlet/outlet pipe, PVC pipe, d ⁴⁾		90/90
Power input P ₁ /output P ₂ ¹⁾ (kW)	1~ 230 V	0.08-2.60/0.05-2.20
Rated current (A)	1~ 230 V	0.45-12.00
Sound pressure level Lpa (1m) [dB(A)]		39.2-72.8

For more detailed information regarding the motor protection please see page 147.

Technical data may vary.

Article no	Description	Voltage	Power output P ₂	Net RRP	Gross RRP ⁷⁾
219.0408.338	BADU Eco Flex	1~ 230 V	2.20 kW	1,812.48 €	2,156.85 €

Three-way opening device included in delivery. See page 136..



Replacement for the BADU Eco Motion >



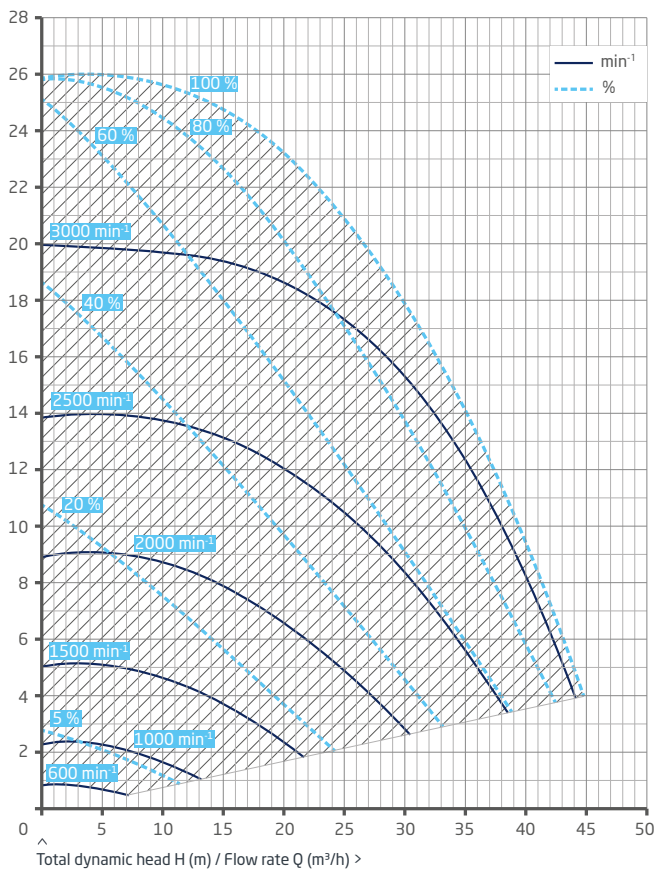
< Motor display with intuitive control



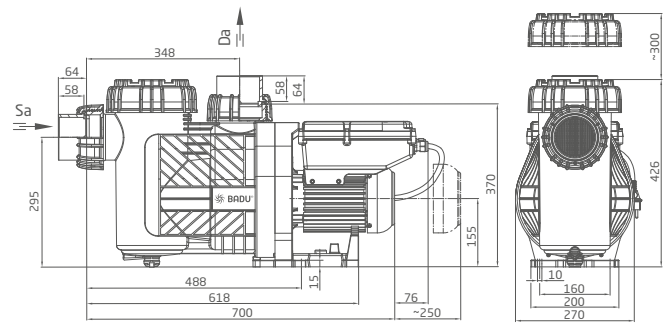
www.tuv.com
ID 0000021507



Characteristics



Dimensions



Detailed dimensions available on request or at badu.de



Circulation pumps, self-priming

Self-priming circulation pumps are suitable for all applications.

These pumps can also be placed above the water level and are therefore suitable for all above ground and built-in pools. Available in 60 performance varieties, these BADU Premium pumps are perfect for pool sizes of up to 500 m³.

Product overview



BADU Alpha
Performance: 4-11 m³/h
Page 40



BADU Magna
Performance: 8-14 m³/h
Page 42



BADU Gamma
Performance: 7-32 m³/h
Page 44



BADU Delta
Performance: 8-28 m³/h
Page 46



BADU Delta-MK
Performance: 8-27 m³/h
Page 48



BADU Prime
Performance: 7-20 m³/h
Page 50



BADU Prime
Performance: 25-48 m³/h
Page 52



**BADU EasyFit/
connection sets**
Performance: 9-45 m³/h
Page 54



BADU Resort
Performance: 30-110 m³/h
Page 58

The pumps pictured above can be used for pool water with a salt concentration of up to 0.5 %, i.e. 5 g/l. For higher salt concentrations please contact us.

BADU® Fact checker

Well-informed for the right decision: The BADU fact checker.
Relevant pump features at a glance and in direct comparison.

Circulation pumps, self-priming



Comparison of parameters	BADU	Alpha	Magna	Gamma
Flow rate Q max. (m³/h)		15	17	37
Power input P ₁ (kW)		0.35-0.69	0.58-0.97	0.46-1.76
Power output P ₂ (kW)		0.18-0.45	0.30-0.65	0.30-1.50
Single phase 1~ 230 V*)		●	●	●
Three-phase 3~ 400/230 V*)		○	○	●
LED transparent lid		○	○	○
Lid opening device		●	●	●
Separable strainer basket		○	○	○
Glue socket d (mm)		50	-	75/63/50
Glue socket materials		ABS	-	PVC-U
Connection options		V	2/1.5" IG	V/2" IG
GS symbol		●	●	●
Catalogue page		40	42	44

*) Special voltages on request.
V - Union
IG - Inner thread
● - Yes
○ - No



Delta	Delta-MK	Prime 7-20	Prime 25-48	EasyFit	Resort
36	35	25	50	50	115
0.46-1.20	0.50-1.40	0.46-1.29	1.85-3.45	0.58-2.54	1.78-6.17
0.30-1.00	0.30-1.00	0.30-1.00	1.30-2.60	0.30-2.20	1.50-5.50
●	●	●	●	●	○
●	●	●	●	●	●
●	●	○	○	○	○
●	●	●	●	●	●
●	●	○	○	●	○
63/50	63/50	-	90/75	75/63/50	110/90/75
PVC-U	PVC-U	-	ABS	ABS	ABS
V	V	2/1.5" IG	V	V/IG	V
●	●	●	●	●	●
46	48	50	52	54	58

BADU® Alpha

New standard for small pools - optimised like never before.

Field of application

Swimming pool water circulation through a filter system. The pump can be installed max. 2 m above or 3 m below water level.

Design

Monoblock-type pump with integrated strainer tank. The bellow-type mechanical seal is mounted on a plastic shaft protector sleeve.

Motor/pump shaft has no contact with the pool water providing complete electrical separation.

Strainer tank capacity approx. 1.0 l

Strainer basket mesh size approx. 2.8 x 2.8 mm

Materials used

Pump housing	PP
Gland housing	PP GF 30
Impeller	PPE GF 30
Strainer basket	PP
Lid	PC, transparent/ABS
Glue sockets	ABS
Mechanical seal	carbon/ceramic/NBR
Screws	stainless steel
Elastomers	NBR

Circulation pumps, self-priming

Technical data at 50 Hz	BADU Alpha	6	8	10	12
Inlet Sa/outlet connection Da	Special union with glue socket d = 50 included in delivery.				
Rec. inlet/outlet pipe, PVC pipe, d ⁴⁾		50/50	50/50	50/50	50/50
Power input P ₁ /output P ₂ ¹⁾ (kW)	1~ 230 V	0.35/0.18	0.45/0.25	0.60/0.40	0.69/0.45
Rated current (A)	1~ 230 V	1.95	2.30	2.70	3.20
Efficiency class		D	D	D	D

For more detailed information regarding the motor protection please see page 147.

Technical data may vary.

Article no	Description	Voltage	Power output P ₂	Net RRP	Gross RRP ⁷⁾
210.4060.038	BADU Alpha 6	1~ 230 V	0.18 kW	415.88 €	494.90 €
210.4080.038	BADU Alpha 8	1~ 230 V	0.25 kW	431.88 €	513.94 €
210.4100.038	BADU Alpha 10	1~ 230 V	0.40 kW	447.86 €	532.95 €
210.4120.038	BADU Alpha 12	1~ 230 V	0.45 kW	462.87 €	550.82 €

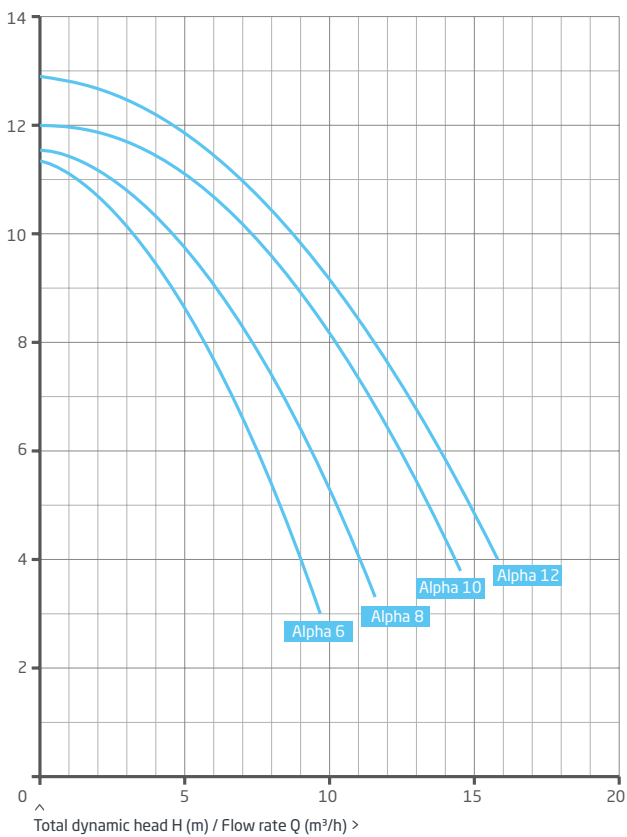
Universal opening device included in delivery. See page 136.



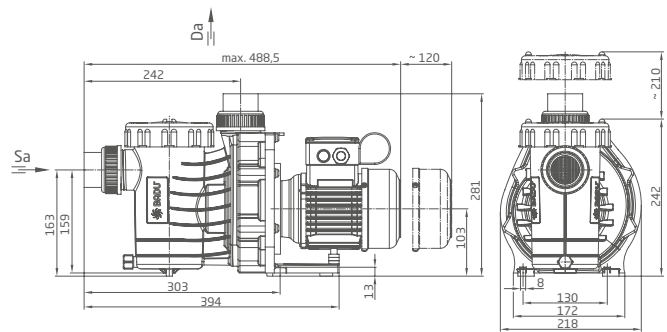
www.tuv.com
ID 0000021507



Characteristics



Dimensions



Detailed dimensions available on request or at badu.de

BADU[®] Magna

Tried and tested for constant operation with high performance and flexibility.
For medium-size and above ground pools or smaller swimming ponds.

Field of application

Swimming pool water circulation through a filter system.
The pump can be installed max. 3 m above or below water level.

Design

Monoblock-type pump with integrated strainer tank.
The bellow-type mechanical seal is mounted on a plastic shaftprotector sleeve.
Motor/pump shaft has no contact with the poolwater providing complete electrical separation.
Strainer tank capacity approx. 3 l
Strainer basket mesh size approx. 3.2 x 2.6 mm

Materials used

Pump housing PP TV 20
Intermediate housing PP TV 40
Gland housing PP TV 40
Diffuser PP TV 40
Impeller PPE GF 30
Strainer basket PP
Lid PC, transparent/PA 66 GF 30
Mechanical seal carbon/ceramic/NBR
Screws galvanised steel
Elastomers NBR

Technical data at 50 Hz	BADU Magna	8	12	14
Inlet Sa/outlet connection Da Rp ²⁾		2/1½	2/1½	2/1½
Rec. inlet/outlet pipe, PVC pipe, d ⁴⁾		50/50	50/50	63/50
Power input P ₁ /output P ₂ ¹⁾ (kW)	1~ 230 V	0.58/0.30	0.69/0.45	0.97/0.65
Rated current (A)	1~ 230 V	2.60	3.20	4.70
Efficiency class		D	D	D

For more detailed information regarding the motor protection please see page 147.

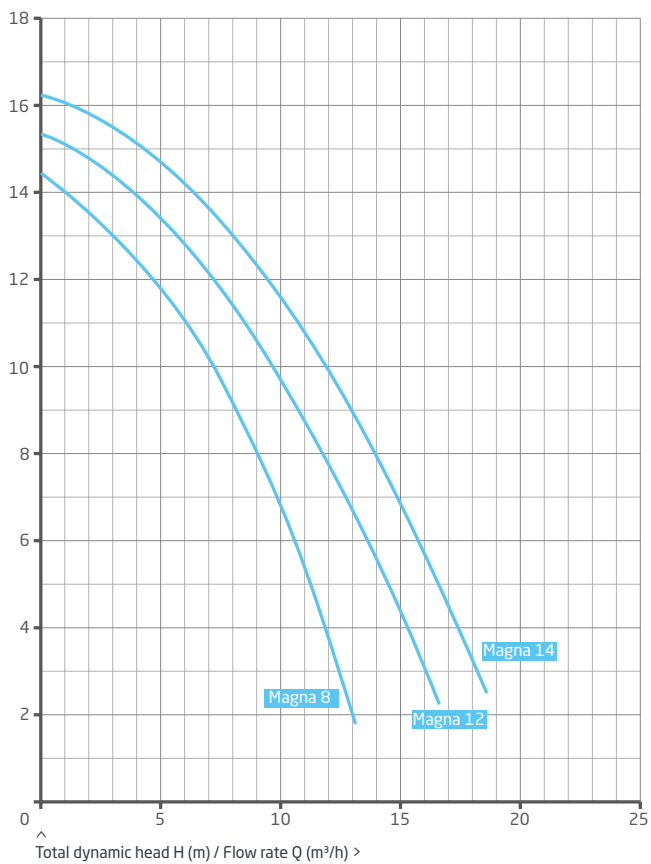
Technical data may vary.

Article no	Description	Voltage	Power output P ₂	Net RRP	Gross RRP ⁷⁾
219.0088.038	BADU Magna 8	1~ 230 V	0.30 kW	451.88 €	537.74 €
219.0128.038	BADU Magna 12	1~ 230 V	0.45 kW	484.85 €	576.97 €
219.0148.038	BADU Magna 14	1~ 230 V	0.65 kW	515.85 €	613.86 €

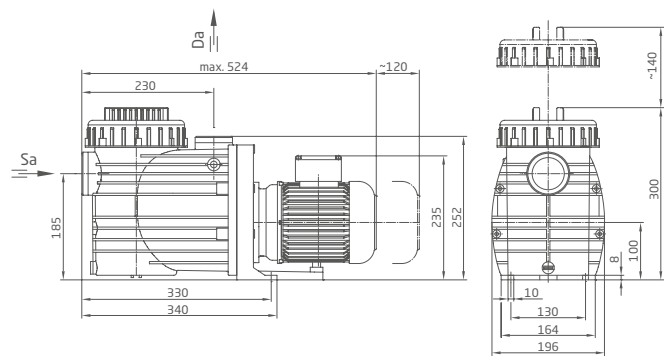
Sickel opening device included in delivery. See page 136.



Characteristics



Dimensions



Detailed dimensions available on request or at badu.de

BADU® Gamma

The new bestseller based on our BADU Prime. Equipped with inner and outer threads. Efficient, modern, thought out.

Field of application

Swimming pool water circulation through a filter system. The pump can be installed max. 3 m above or below water level.

Design

Monoblock-type pump with integrated strainer tank. The bellow-type mechanical seal is mounted on a plastic shaft protector sleeve.

Motor/pump shaft has no contact with the pool water providing complete electrical separation.

Strainer tank capacity approx. 3 l

Strainer basket mesh size approx. 3.2 x 2.6 mm

Materials used

Pump housing	PP GF 30
Intermediate housing	PP TV 40
Gland housing	PP TV 40
Diffuser	PA 66 GF 30/PP GF 30
Impeller	PP GF 30
Strainer basket	PP
Lid	PC, transparent/PA 66 GF 30
Mechanical seal	carbon/ceramic/NBR
Screws	stainless steel
Unions/glue sockets	ABS/PVC-U
Elastomers	NBR/Viton

Technical data at 50 Hz	BADU Gamma	7	11	15	20	23	29	32
Inlet Sa/ outlet connection Da d ⁴)	Rp 2	50/50	63/63	63/63	63/63	63/63	75/75	75/75
Rec. inlet/outlet pipe, PVC pipe, d ⁴)		50/50	63/63	63/63	63/63	63/63	75/75	75/75
Power input P ₁ / output P ₂ ¹⁾ (kW)	1~ 230 V	0.46/0.30	0.61/0.45	0.72/0.55	1.03/0.75	1.29/1.00	1.68/1.30	2.84/1.50
Rated current (A)	1~ 230 V	2.00	2.60	3.50	4.95	6.20	8.00	8.80
Power input P ₁ / output P ₂ ¹⁾ (kW)	3~ Y/Δ 400/230 V	0.41/0.30	0.59/0.45	0.69/0.55	0.90/0.75	1.20/1.00	1.54/1.30	1.76/1.50
Rated current (A)	3~ Y/Δ 400/230 V	0.90/1.50	1.10/2.00	1.40/2.50	1.80/3.10	2.55/4.40	3.00/5.20	3.30/5.60
Efficiency class	1~/3~	D/D	D/D	D/D	D/D	D/D	D/D	D/D

For more detailed information regarding the motor protection please see page 147.

Technical data may vary.

Article no	Description	Voltage	Power output P ₂	Net RRP	Gross RRP ⁷⁾
210.5070.038	BADU Gamma 7	1~ 230 V	0.30 kW	726.78 €	864.87 €
210.5110.038	BADU Gamma 11	1~ 230 V	0.45 kW	779.78 €	927.94 €
210.5150.038	BADU Gamma 15	1~ 230 V	0.55 kW	810.76 €	964.80 €
210.5200.038	BADU Gamma 20	1~ 230 V	0.75 kW	862.74 €	1,026.66 €
210.5230.038	BADU Gamma 23	1~ 230 V	1.00 kW	933.73 €	1,111.14 €
210.5290.038	BADU Gamma 29	1~ 230 V	1.30 kW	1,158.66 €	1,378.81 €
210.5320.038	BADU Gamma 32	1~ 230 V	1.50 kW	1,170.65 €	1,393.07 €
210.5070.037	BADU Gamma 7	3~ Y/Δ 400/230 V	0.30 kW	694.78 €	826.79 €
210.5110.037	BADU Gamma 11	3~ Y/Δ 400/230 V	0.45 kW	736.79 €	876.78 €
210.5150.037	BADU Gamma 15	3~ Y/Δ 400/230 V	0.55 kW	799.77 €	951.73 €
210.5200.037	BADU Gamma 20	3~ Y/Δ 400/230 V	0.75 kW	821.76 €	977.89 €
210.5230.037	BADU Gamma 23	3~ Y/Δ 400/230 V	1.00 kW	838.75 €	998.11 €
210.5290.037	BADU Gamma 29	3~ Y/Δ 400/230 V	1.30 kW	1,106.67 €	1,316.94 €
210.5320.037	BADU Gamma 32	3~ Y/Δ 400/230 V	1.50 kW	1,200.65 €	1,428.77 €

Universal opening device included in delivery. See page 136.



With inner and outer threads



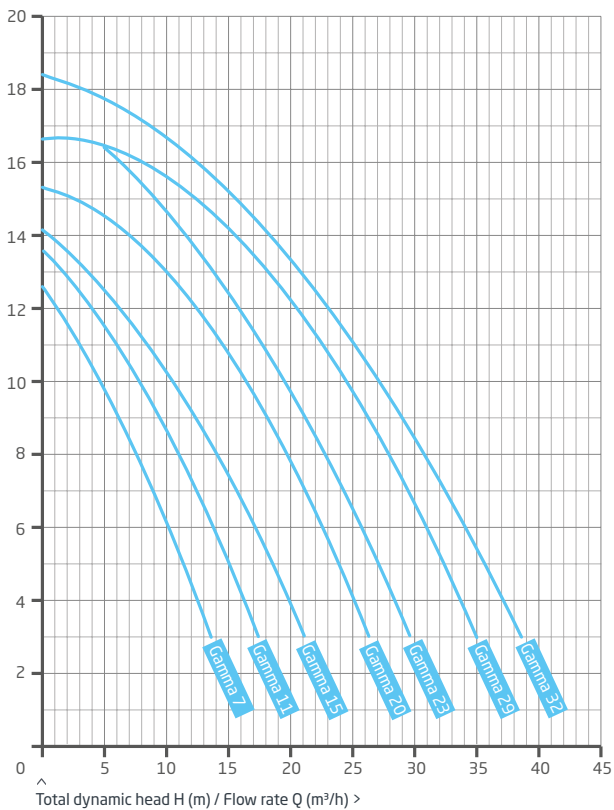
Circulation pumps, self-priming



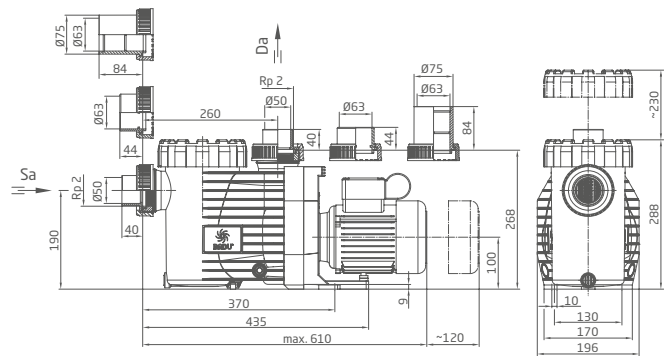
www.tuv.com
ID 0000021507



Characteristics



Dimensions



Detailed dimensions available on request.

New high-class standard for ambitious projects.
High-quality filter circulation pump for professionals.

Field of application

Swimming pool water circulation through a filter system.
The pump can be installed max. 3 m above or below water level.

Design

Monoblock-type pump with integrated strainer tank. The bellows-type mechanical seal is mounted on a plastic shaft protector sleeve.

Motor/pump shaft has no contact with the pool water providing complete electrical separation.

Strainer tank capacity approx. 4 l

Strainer basket mesh size approx 2.2 x 2.2 mm

Materials used

Pump housing	PP GF 30
Intermediate housing	PP GF 30
Gland housing	PP TV 40
Unions/glue sockets	ABS/PVC-U
Diffuser	PP GF 30
Impeller	PPE GF 30
Strainer basket	PP
Lid	PC, transparent/PA 66 GF 30
Mechanical seal	carbon/ceramic/NBR
Screws	stainless steel
Elastomers	NBR/Viton

Technical data at 50 Hz	BADU Delta	9	13	17	22	28
Inlet Sa/outlet connection Da d ⁴⁾		50/50	63/63	63/63	63/63	63/63
Rec. inlet/outlet pipe, PVC pipe, d ⁴⁾		50/50	63/63	63/63	63/63	75/75
Power input P ₁ /output P ₂ ¹⁾ (kW)	1~ 230 V	0.46/0.30	0.61/0.45	0.72/0.55	1.03/0.75	1.29/1.00
Rated current (A)	1~ 230 V	2.00	3.60	3.50	4.95	6.20
Power input P ₁ /output P ₂ ¹⁾ (kW)	3~ Y/Δ 400/230 V	0.41/0.30	0.63/0.45	0.69/0.55	0.90/0.75	1.20/1.00
Rated current (A)	3~ Y/Δ 400/230 V	0.90/1.50	1.10/2.00	1.40/2.50	1.80/3.10	2.55/4.40
Efficiency class	1~/3~	D/D	D/D	C/C	C/C	C/C

For more detailed information regarding the motor protection please see page 147.

Technical data may vary.

Article no	Description	Voltage	Power output P ₂	Net RRP	Gross RRP ⁷⁾
210.3070.038	BADU Delta 9	1~ 230 V	0.30 kW	736.79 €	876.78 €
210.3120.038	BADU Delta 13	1~ 230 V	0.45 kW	764.78 €	910.09 €
210.3170.038	BADU Delta 17	1~ 230 V	0.55 kW	789.77 €	939.83 €
210.3220.038	BADU Delta 22	1~ 230 V	0.75 kW	926.72 €	1,102.80 €
210.3280.038	BADU Delta 28	1~ 230 V	1.00 kW	1,147.68 €	1,365.74 €
210.3070.037	BADU Delta 9	3~ Y/Δ 400/230 V	0.30 kW	736.79 €	876.78 €
210.3120.037	BADU Delta 13	3~ Y/Δ 400/230 V	0.45 kW	764.78 €	910.09 €
210.3170.037	BADU Delta 17	3~ Y/Δ 400/230 V	0.55 kW	789.77 €	939.83 €
210.3220.037	BADU Delta 22	3~ Y/Δ 400/230 V	0.75 kW	926.72 €	1,102.80 €
210.3280.037	BADU Delta 28	3~ Y/Δ 400/230 V	1.00 kW	1,147.68 €	1,365.74 €

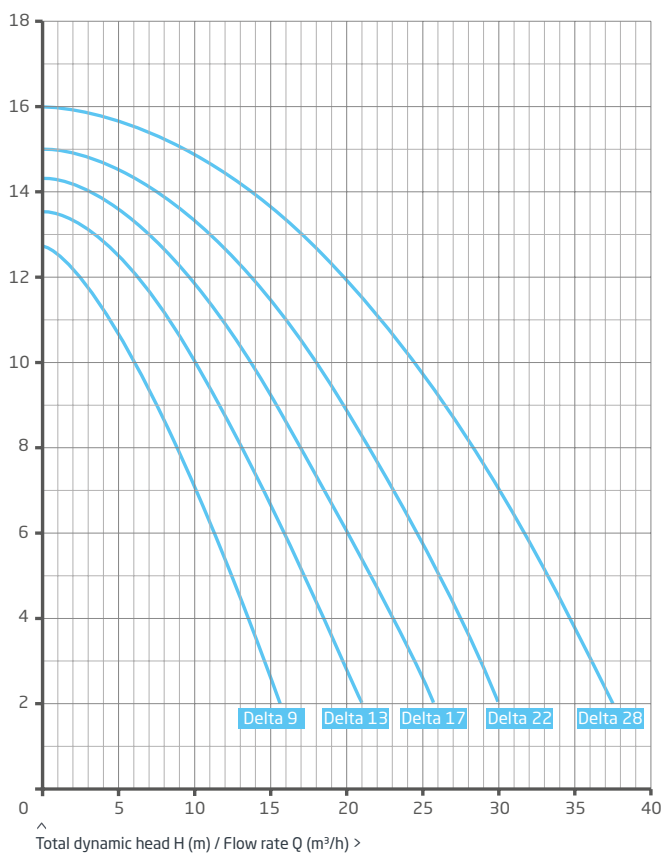
Universal opening device included in delivery. See page 136.



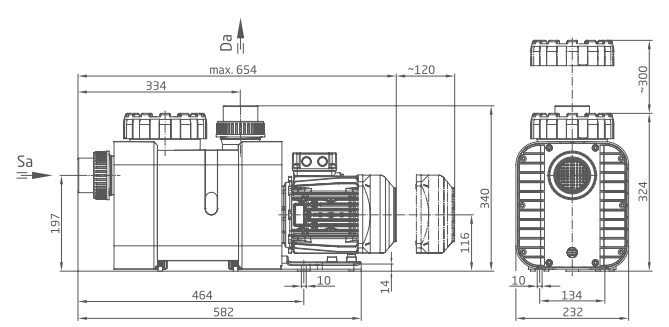
Transparent lid with integrated LED lighting



Characteristics



Dimensions



Detailed dimensions available on request.

BADU[®] Delta-MK

Sealless pump for salt water pools.
Extension of the quiet BADU Delta range.

Fields of application

Swimming pool water circulation through a filter system.
The pump can be installed max. 1.5 m above or 3 m below water level.

Design

Monoblock-type pump with integrated strainer tank.
Motor/pump shaft has no contact with the pool water providing complete electrical separation.
Strainer tank capacity approx. 4 l
Strainer basket mesh size approx. 2.2 x 2.2 mm

Also available with alternative material combinations for chemical applications.

Materials used

Pump housing	PP GF 30
Intermediate housing/gland housing	PP GF 30
Lid for gland housing	PP GF 10
Can	PP GF 30
Intermediate flange	PP GF 30
Pump feet	ABS GF 20
Unions/glue sockets	ABS/PVC-U
Diffuser	PP GF 30
Impeller	PPE GF 30
Strainer basket	PP
Lid	PC, transparent/PA 66 GF 30
Slide bearing	SiC/SiC
Elastomers	NBR
Screws	stainless steel

Technical data at 50 Hz	BADU Delta-MK	8	12	16	20	27
Inlet Sa/outlet connection Da d ⁴⁾		50/50	63/63	63/63	63/63	63/63
Rec. inlet/outlet pipe, PVC pipe, d ⁴⁾		50/50	63/63	63/63	63/63	75/75
Power input P ₁ /output P ₂ ¹⁾ (kW)	1~ 230 V	0.50/0.30	0.65/0.45	0.97/0.65	1.10/0.75	1.40/1.00
Rated current (A)	1~ 230 V	2.60	3.20	4.70	5.20	6.70
Power input P ₁ /output P ₂ ¹⁾ (kW)	3~ Y/Δ 400/230 V	0.50/0.30	0.63/0.45	0.97/0.65	0.93/0.75	1.26/1.00
Rated current (A)	3~ Y/Δ 400/230 V	1.00/1.75	1.25/2.15	1.75/3.00	1.95/3.40	2.25/3.90

For more detailed information regarding the motor protection please see page 147.

Technical data may vary.

Article no	Description	Voltage	Power output P ₂	Net RRP	Gross RRP ⁷⁾
210.3080.338	BADU Delta-MK 8	1~ 230 V	0.30 kW	1,106.67 €	1,316.94 €
210.3120.338	BADU Delta-MK 12	1~ 230 V	0.45 kW	1,114.67 €	1,326.46 €
210.3160.338	BADU Delta-MK 16	1~ 230 V	0.65 kW	1,128.67 €	1,343.12 €
210.3200.338	BADU Delta-MK 20	1~ 230 V	0.75 kW	1,189.66 €	1,415.70 €
210.3270.338	BADU Delta-MK 27	1~ 230 V	1.00 kW	1,260.61 €	1,500.13 €
210.3080.337	BADU Delta-MK 8	3~ Y/Δ 400/230 V	0.30 kW	1,093.68 €	1,301.48 €
210.3120.337	BADU Delta-MK 12	3~ Y/Δ 400/230 V	0.45 kW	1,097.68 €	1,306.24 €
210.3160.337	BADU Delta-MK 16	3~ Y/Δ 400/230 V	0.65 kW	1,118.69 €	1,331.24 €
210.3200.337	BADU Delta-MK 20	3~ Y/Δ 400/230 V	0.75 kW	1,185.65 €	1,410.92 €
210.3270.337	BADU Delta-MK 27	3~ Y/Δ 400/230 V	1.00 kW	1,266.65 €	1,507.31 €

Universal opening device included in delivery. See page 136.



Transparent lid with integrated LED lighting



Circulation pumps, self-priming



www.tuv.com
ID 0000021607

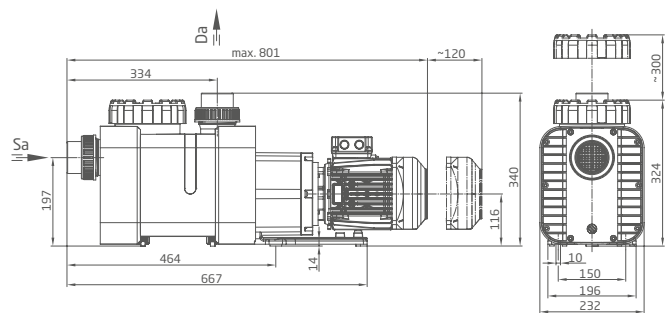
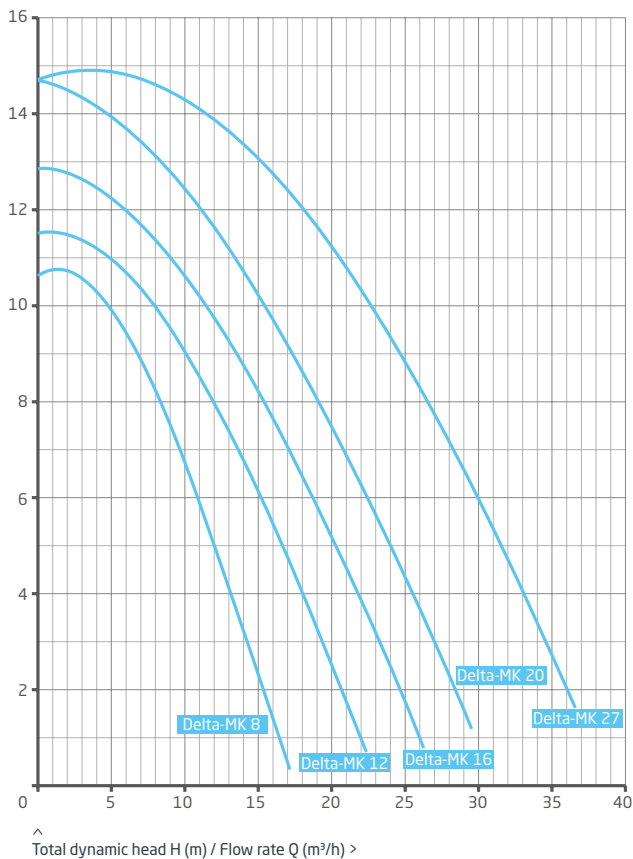


requested



Characteristics

Dimensions



Detailed dimensions available on request.

BADU® Prime

Established and reliable.
Premium circulation pump.

Field of application

Swimming pool water circulation through a filter system.
The pump can be installed max. 3 m above or below water level.

Design

Monoblock-type pump with integrated strainer tank. The bellows-type mechanical seal is mounted on a plastic shaft protector sleeve.

Motor/pump shaft has no contact with the pool water providing complete electrical separation.

Strainer tank capacity approx. 3 l

Strainer basket mesh size approx. 3.2 x 2.6 mm

Materials used

Pump housing	PP GF 30
Intermediate housing	PP TV 40
Gland housing	PP TV 40
Diffuser	PA 66 GF 30/PP GF 30
Impeller	PP GF 30
Strainer basket	PP
Lid	PC, transparent/PA 66 GF 30
Mechanical seal	carbon/ceramic/NBR
Screws	stainless steel
Elastomers	NBR/Viton

Technical data at 50 Hz	BADU Prime	7	11	13	15	20
Inlet Sa/outlet connection Da Rp ²⁾		1½/1½	1½/1½	2/1½	2/1½	2/1½
Rec. inlet/outlet pipe, PVC pipe, d ⁴⁾		50/50	50/50	63/50	63/50	63/63
Power input P ₁ /output P ₂ ¹⁾ (kW)	1~ 230 V	0.46/0.30	0.61/0.45	0.72/0.55	1.03/0.75	1.29/1.00
Rated current (A)	1~ 230 V	2.00	2.60	3.50	4.95	6.20
Power input P ₁ /output P ₂ ¹⁾ (kW)	3~ Y/Δ 400/230 V	0.41/0.30	0.95/0.45	0.69/0.55	0.90/0.75	1.20/1.00
Rated current (A)	3~ Y/Δ 400/230 V	0.90/1.50	1.10/2.00	1.40/2.50	1.80/3.10	2.55/4.40
Efficiency class	1~/3~	D/D	D/D	D/D	D/D	D/D

For more detailed information regarding the motor protection please see page 147.

Technical data may vary.

Article no	Description	Voltage	Power output P ₂	Net RRP	Gross RRP ⁷⁾
219.0078.038	BADU Prime 7	1~ 230 V	0.30 kW	707.79 €	842.27 €
219.0118.038	BADU Prime 11	1~ 230 V	0.45 kW	757.78 €	901.76 €
219.0138.038	BADU Prime 13	1~ 230 V	0.55 kW	781.76 €	930.29 €
219.0158.038	BADU Prime 15	1~ 230 V	0.75 kW	845.74 €	1,006.43 €
219.0208.038	BADU Prime 20	1~ 230 V	1.00 kW	904.74 €	1,076.64 €
219.0078.037	BADU Prime 7	3~ Y/Δ 400/230 V	0.30 kW	677.81 €	806.59 €
219.0118.037	BADU Prime 11	3~ Y/Δ 400/230 V	0.45 kW	715.79 €	851.79 €
219.0138.037	BADU Prime 13	3~ Y/Δ 400/230 V	0.55 kW	766.77 €	912.46 €
219.0158.037	BADU Prime 15	3~ Y/Δ 400/230 V	0.75 kW	795.76 €	946.95 €
219.0208.037	BADU Prime 20	3~ Y/Δ 400/230 V	1.00 kW	809.76 €	963.61 €

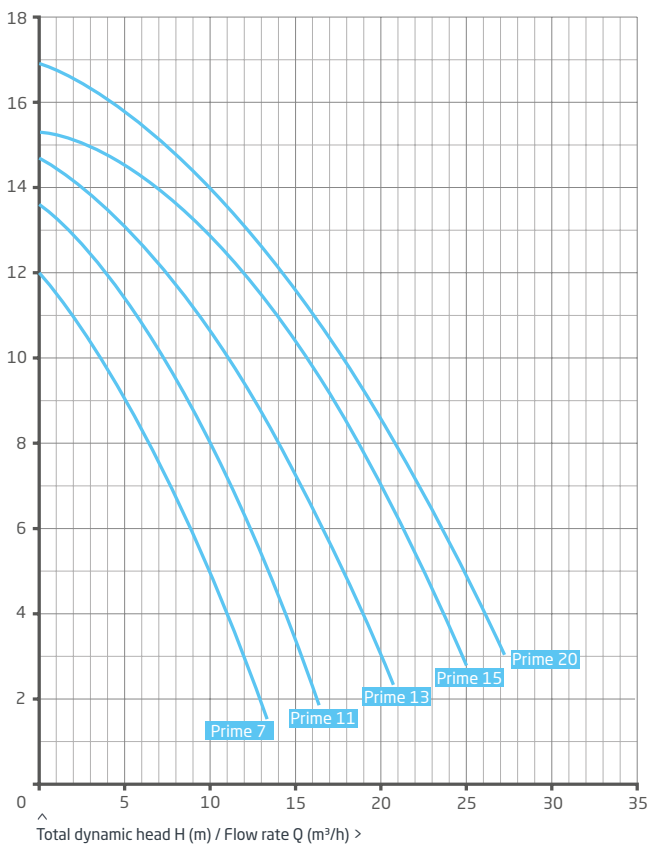
Universal opening device included in delivery. See page 136.



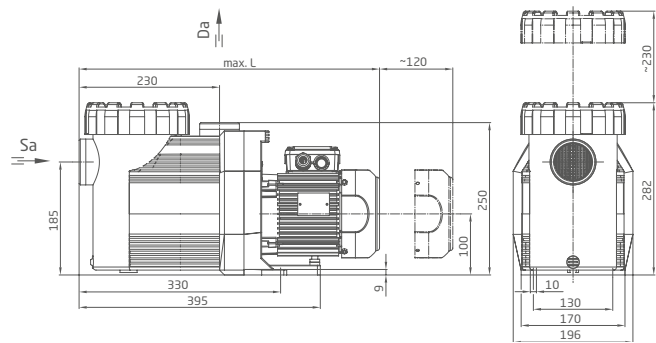
www.tuv.com
ID 0000021507



Characteristics



Dimensions



Detailed dimensions available on request.

BADU® Prime

Highly efficient. With a motor suitable for use with a frequency converter.
For large pools, swimming baths and solar panel units.

Field of application

Swimming pool water circulation through a filter system.
The pump can be installed max. 3 m above or below water level.

Design

Monoblock-type pump with integrated strainer tank. The bellows-type mechanical seal is mounted on a plastic shaft protector sleeve.

Motor/pump shaft has no contact with the pool water providing complete electrical separation.

Strainer tank capacity approx. 6 l

Strainer basket mesh size approx. 3.0 x 2.8 mm

Materials used

Pump housing	PP GF 30
Intermediate housing	PP GF 30
Gland housing	PP TV 40
Diffuser	PP GF 30
Impeller	PPE GF 30
Strainer basket	PP
Lid	PC, transparent/PA 66 GF 30
Glue sockets	ABS
Mechanical seal	carbon/ceramic/NBR
Screws	stainless steel
Elastomers	NBR/Viton

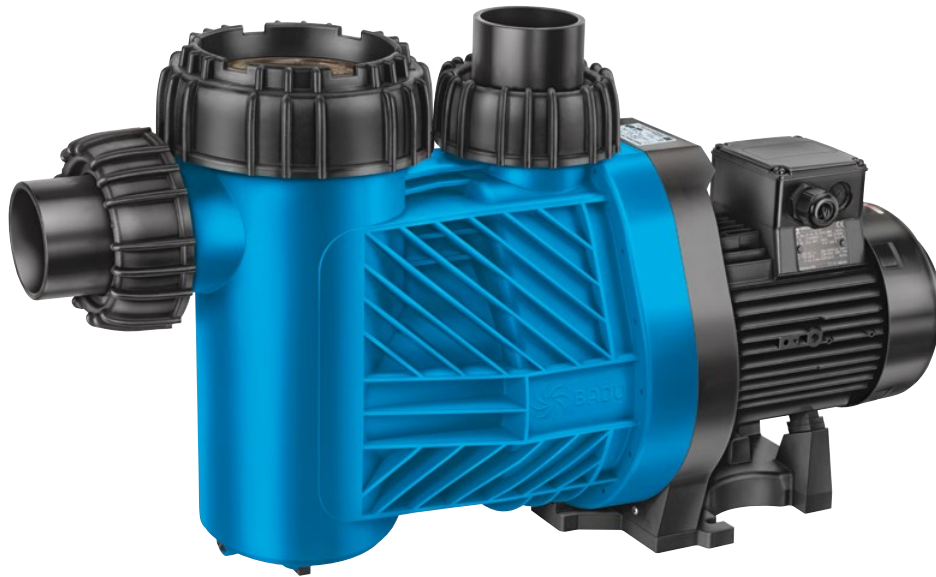
Technical data at 50 Hz	BADU Prime	25	30	40	48
Inlet Sa/outlet connection Da d ⁴⁾		75/75	75/75	90/90	90/90
Rec. inlet/outlet pipe, PVC pipe, d ⁴⁾		75/75	75/75	90/90	110/110
Power input P ₁ /output P ₂ ¹⁾ (kW)	1~ 230 V	1.85/1.30	2.00/1.50	2.90/2.20	3.45/2.60
Rated current (A)	1~ 230 V	7.70	8.80	13.00	15.00
Power input P ₁ /output P ₂ ¹⁾ (kW)	3~ Y/Δ 400/230 V	1.55/1.30	1.77/1.50	2.55/2.20	3.00/2.60
Rated current (A)	3~ Y/Δ 400/230 V	2.95/5.10	3.30/5.72	4.60/8.00	5.50/9.50

For more detailed information regarding the motor protection please see page 147.

Technical data may vary.

Article no	Description	Voltage	Power output P ₂	Net RRP	Gross RRP ⁷⁾
219.0258.038	BADU Prime 25	1~ 230 V	1.30 kW	1,262.62 €	1,502.52 €
219.0308.038	BADU Prime 30	1~ 230 V	1.50 kW	1,375.60 €	1,636.96 €
219.0408.038	BADU Prime 40	1~ 230 V	2.20 kW	1,610.53 €	1,916.53 €
219.0488.038	BADU Prime 48	1~ 230 V	2.60 kW	2,097.40 €	2,495.91 €
219.0258.037	BADU Prime 25	3~ Y/Δ 400/230 V	1.30 kW	1,165.66 €	1,387.14 €
219.0308.037	BADU Prime 30	3~ Y/Δ 400/230 V	1.50 kW	1,281.63 €	1,525.14 €
219.0408.037	BADU Prime 40	3~ Y/Δ 400/230 V	2.20 kW	1,486.56 €	1,769.01 €
219.0488.037	BADU Prime 48	3~ Y/Δ 400/230 V	2.60 kW	1,645.51 €	1,958.16 €

Three-way opening device included in delivery. See page 136.

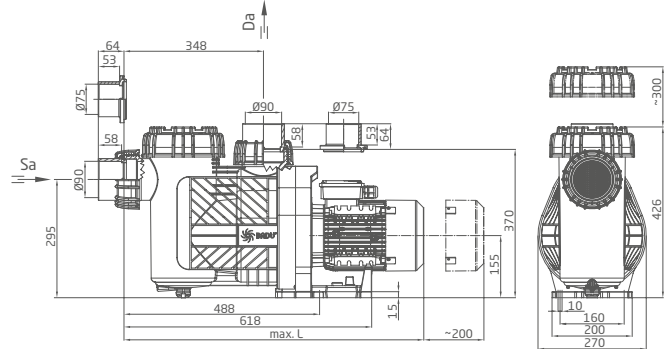
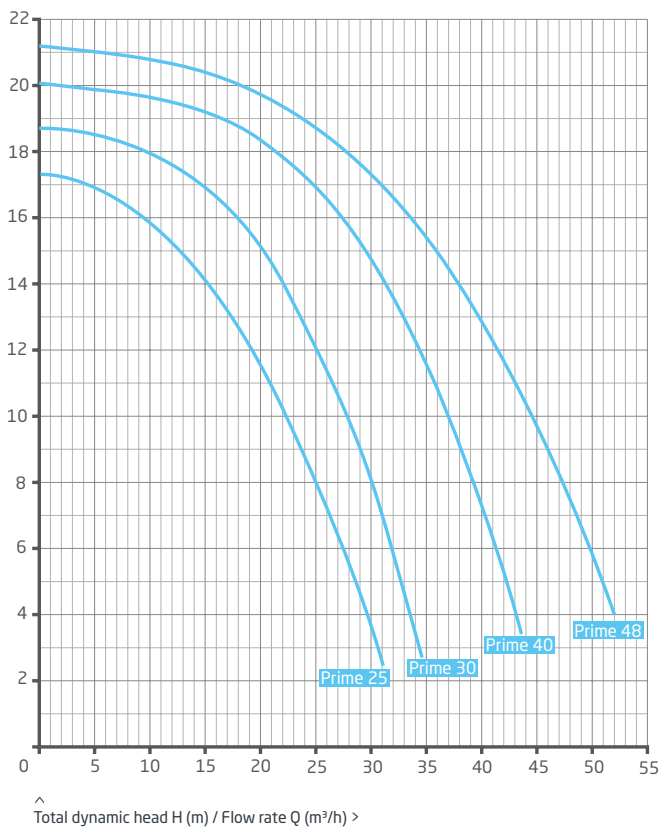


Circulation pumps, self-priming



Characteristics

Dimensions



Detailed dimensions available on request.

BADU® EasyFit

The champion of flexibility with 6 various connection sets.
For use in practically every filter unit, regardless of the manufacturer.

Field of application

Swimming pool water circulation through a filter system.
The pump can be installed max. 3 m above or below water level.

Design

Monoblock-type pump with integrated strainer tank.
The bellow-type mechanical seal is mounted on a plastic shaft protector sleeve.
Motor/pump shaft has no contact with the pool water providing complete electrical separation.
Strainer tank capacity approx. 3 l
Strainer basket mesh size approx. 3.2 x 2.6 mm

Materials used

Pump housing PP GF 30
Intermediate housing PP GF 30
Gland housing PP TV 40
Diffuser PA 66 GF 30/PP TV 40/PP GF 30
Impeller PPE GF 30/PP GF 30
Strainer basket PP
Lid PC, transparent/PP GF 30
Glue sockets ABS
Mechanical seal carbon/ceramic/NBR
Screws stainless steel
Elastomers NBR/Viton

Technical data at 50 Hz	BADU EasyFit	9	12	15	18	24	29	36	45
Inlet Sa/outlet connection Da d ⁴⁾		50/50	63/63	63/63	63/63	63/63	63/63	75/75	75/75
Rec. inlet/outlet pipe, PVC pipe, d ⁴⁾		63/50	63/50	63/63	63/63	63/63	63/63	75/75	75/75
Power input P ₁ /output P ₂ ¹⁾ (kW)	1~ 230 V	0,58/0,30	0,69/0,45	0,97/0,65	1,20/0,80	1,45/1,00	1,70/1,30	-/-	-/-
Rated current (A)	1~ 230 V	2,60	3,20	4,70	5,30	6,40	7,40	-/-	-/-
Power input P ₁ /output P ₂ ¹⁾ (kW)	3~ Y/Δ 400/230 V	0,55/0,30	0,68/0,45	0,95/0,65	1,10/0,80	1,32/1,00	1,65/1,30	2,10/1,80	2,54/2,20
Rated current (A)	3~ Y/Δ 400/230 V	1,00/1,75	1,25/2,15	1,75/3,00	2,10/3,60	2,90/5,02	3,20/5,54	3,85/6,70	4,95/8,60
Efficiency class	1~/3~	D/D	D/D	D/D	D/D	D/D	D/C	-/C	-/C

For more detailed information regarding the motor protection please see page 147.

Technical data may vary.

Article no	Description	Voltage	Power output P ₂	Net RRP	Gross RRP ⁷⁾
207.6100.038	BADU EasyFit 9	1~ 230 V	0.30 kW	572.67 €	681.48 €
207.6140.038	BADU EasyFit 12	1~ 230 V	0.45 kW	637.27 €	758.35 €
207.6170.038	BADU EasyFit 15	1~ 230 V	0.65 kW	667.66 €	794.52 €
207.6200.038	BADU EasyFit 18	1~ 230 V	0.80 kW	740.79 €	881.54 €
207.6260.038	BADU EasyFit 24	1~ 230 V	1.00 kW	932.63 €	1,109.83 €
207.6320.038	BADU EasyFit 29	1~ 230 V	1.30 kW	1,027.59 €	1,222.83 €
207.6100.037	BADU EasyFit 9	3~ Y/Δ 400/230 V	0.30 kW	619.23 €	736.88 €
207.6140.037	BADU EasyFit 12	3~ Y/Δ 400/230 V	0.45 kW	707.55 €	841.98 €
207.6170.037	BADU EasyFit 15	3~ Y/Δ 400/230 V	0.65 kW	719.88 €	856.66 €
207.6200.037	BADU EasyFit 18	3~ Y/Δ 400/230 V	0.80 kW	789.21 €	939.16 €
207.6260.037	BADU EasyFit 24	3~ Y/Δ 400/230 V	1.00 kW	960.17 €	1,142.60 €
207.6320.037	BADU EasyFit 29	3~ Y/Δ 400/230 V	1.30 kW	1,055.13 €	1,255.60 €
207.6380.037	BADU EasyFit 36	3~ Y/Δ 400/230 V	1.80 kW	1,218.50 €	1,450.02 €
207.6400.037	BADU EasyFit 45	3~ Y/Δ 400/230 V	2.20 kW	1,638.27 €	1,949.54 €

Universal opening device included in delivery. See page 136.



Standard connection included in delivery. For further connection variations please see the following page >



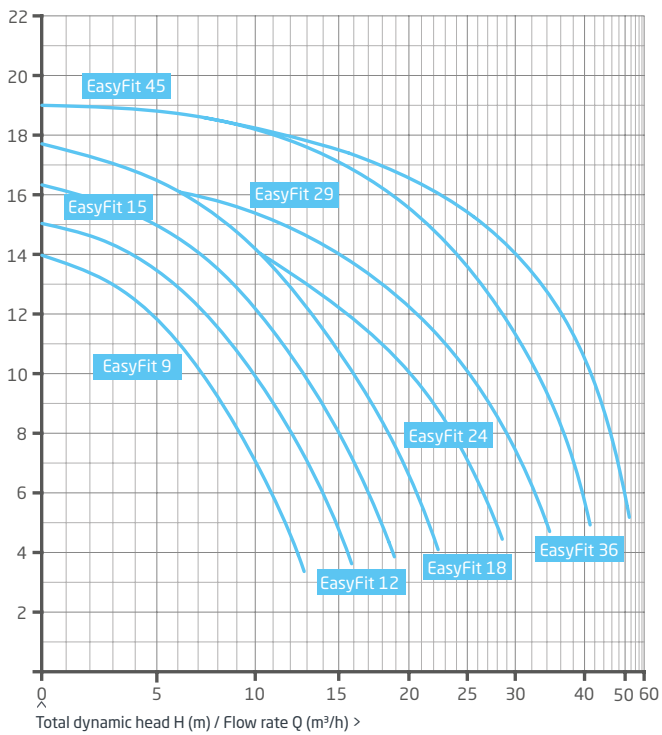
Circulation pumps, self-priming



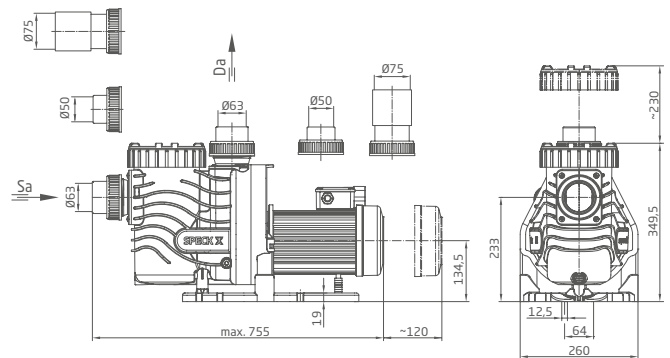
www.tuv.com
ID 0000021507



Characteristics



Dimensions



Detailed dimensions available on request.

BADU® EasyFit connection sets

Even more flexibility for the BADU EasyFit.
Connection sets now for 8 foreign ranges.

With the BADU EasyFit the often time-consuming task of installing a new circulation pump into an existing filter unit is a thing of the past.

The self-priming pump fits with six different connection sets and flexible pump feet in almost every unit, regardless of the manufacturer.

Flexible connections regardless of the manufacturer

6 adaptable connection sets.

Easy connection to existing pipes

Height adjustable pump feet reduce the assembly effort.

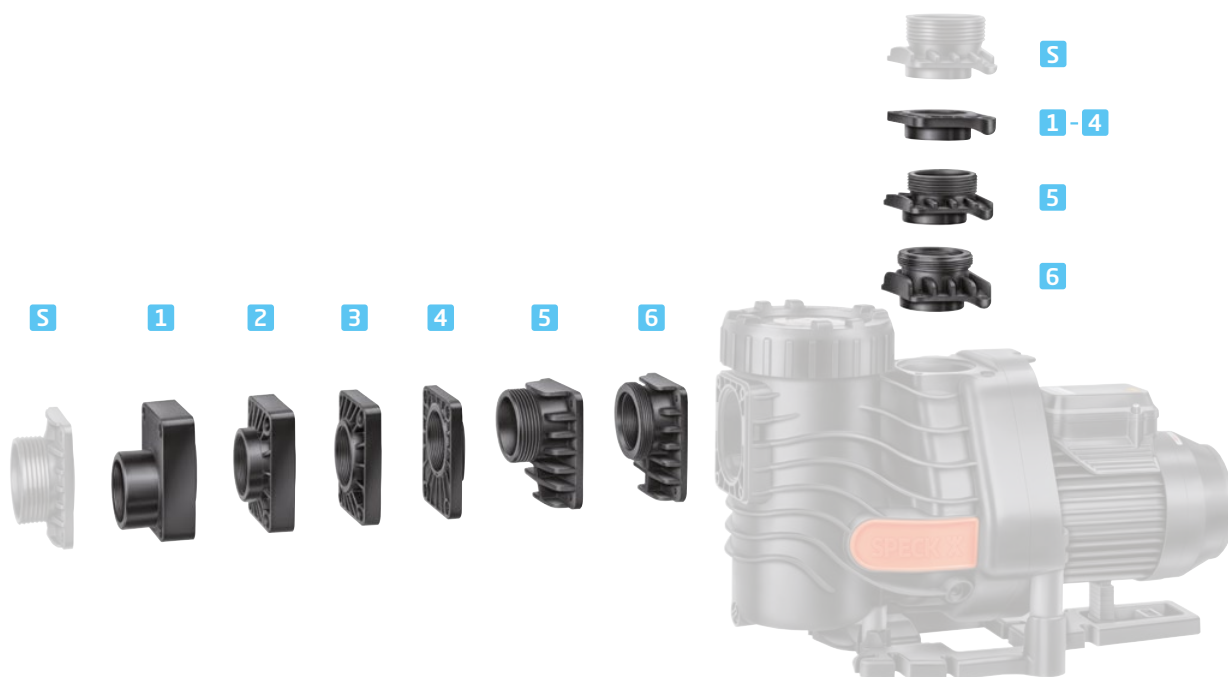
The flexible and cost-effective solution

Saves time when converting an existing unit and saves on storage.

Article no	Description	Net RRP	Gross RRP ⁷⁾
290.1472.105	Connection set 1 compatible with Pentair® "Ultra-Flow" pumps*)	41.11 €	48.92 €
290.1472.106	Connection set 2 compatible with Pentair® "WhisperFlo" pumps*)	41.11 €	48.92 €
290.1472.107	Connection set 3 compatible with Hayward® "Super Pump" pumps*)	41.11 €	48.92 €
290.1472.108	Connection set 4 compatible with Sta-Rite® "5P2R" pumps*)	41.11 €	48.92 €
290.1472.111	Connection set 5 compatible with Astral "Super Sprint", Astral "Victoria Plus" and Wilo "Filtec FBS" pumps*)	41.11 €	48.92 €
290.1472.112	Connection set 6 compatible with Sta-Rite® "5MPR (Dyna-Glas™)" pumps*)	41.11 €	48.92 €

*) among other brands of pump.

Pentair®, Sta-Rite®, Dyna-Glas™, WhisperFlo® and Ultra-Flow® are trademarks and/or registered trademarks of Pentair Water Pool and Spa, Inc. and/or its affiliated companies. Hayward® and Super Pump® are trademarks of Hayward Industries, Inc.



www.luv.com
ID 0000021507

- S Standard connection
- 1 Connection set 1*)
- 2 Connection set 2*)
- 3 Connection set 3*)
- 4 Connection set 4*)

- 5 Connection set 5
- 6 Connection set 6

*) Rp 1½ and Rp 2
included in each set.

BADU[®] Resort

Cost-saving pump for large units. Light and powerful.
For wellness oases, hotel swimming pools or special pools.

Field of application

Swimming pool water circulation through a filter system.
The pump can be installed max. 3 m above or below water level.

Design

Monoblock-type pump with integrated strainer tank. The bellows-type mechanical seal is mounted on a plastic shaft protector sleeve.

Motor/pump shaft has no contact with the pool water providing complete electrical separation.

Strainer tank capacity approx. 10 l

Strainer basket mesh size approx. 3.4 x 3.2 mm

Materials used

Pump housing	PP GF 30
Intermediate housing	PP TV 40
Gland housing	PP TV 40
Diffuser	PP GF 30
Impeller	PPE GF 30/PP GF 30
Impeller nut	PP GF 30
Strainer basket	PP
Lid	PC, transparent/PA 66 GF 30
Glue sockets	ABS
Mechanical seal	carbon/ceramic/NBR
Screws	stainless steel
Elastomers	NBR/Viton

For glue sockets made from PVC suitable for BADU Resort 50 to BADU Resort 110 please see page 138.

Technical data at 50 Hz	BADU Resort	30	40	45	50	55	60	70	80	110
Inlet Sa/outlet connection Da d ⁴⁾		75/75	90/90	90/90	110/110	110/110	110/110	110/110	110/110	110/110
Rec. inlet/outlet pipe, PVC pipe, d ⁴⁾		75/75	90/90	90/90	110/110	110/110	110/110	110/110	140/140	160/140
Power input P ₁ /output P ₂ ¹⁾ (kW)	3~ Y/Δ 400/230 V	1.78/1.50	2.54/2.20	3.01/2.60	3.44/3.00	-/-	3.01/2.60	3.44/3.00	-/-	-/-
Rated current (A)	3~ Y/Δ 400/230 V	3.60/6.10	4.60/8.00	5.20/9.00	6.30/10.90	-/-	5.20/9.00	6.30/10.90	-/-	-/-
Power input P ₁ /output P ₂ ¹⁾ (kW)	3~ Y/Δ 690/400 V	-/-	-/-	-/-	-/-	4.54/4.00	-/-	-/-	4.54/4.00	6.17/5.50
Rated current (A)	3~ Y/Δ 690/400 V	-/-	-/-	-/-	-/-	4.60/8.00	-/-	-/-	4.60/8.00	5.90/10.20

For more detailed information regarding the motor protection please see page 147.

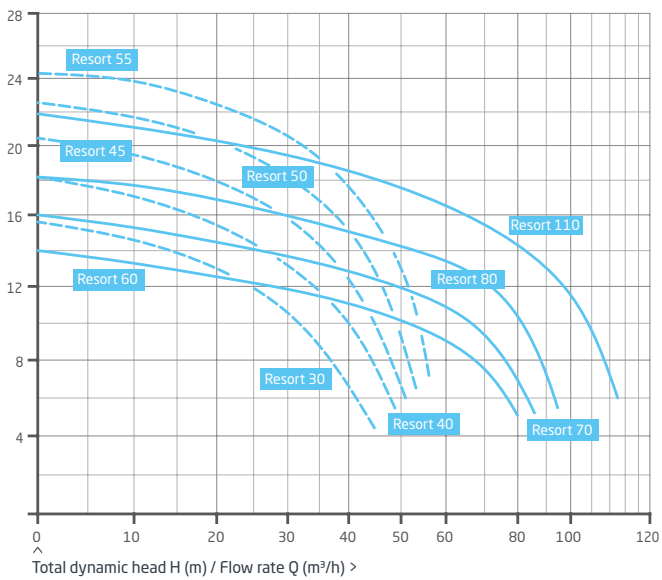
Technical data may vary.

Article no	Description	Voltage	Power output P ₂	Net RRP	Gross RRP ⁷⁾
219.5308.037	BADU Resort 30	3~ Y/Δ 400/230 V	1.50 kW	1,597.54 €	1,901.07 €
219.5408.037	BADU Resort 40	3~ Y/Δ 400/230 V	2.20 kW	1,778.49 €	2,116.40 €
219.5458.037	BADU Resort 45	3~ Y/Δ 400/230 V	2.60 kW	1,820.46 €	2,166.35 €
219.5508.037	BADU Resort 50	3~ Y/Δ 400/230 V	3.00 kW	2,012.42 €	2,394.78 €
219.5558.037	BADU Resort 55	3~ Y/Δ 690/400 V	4.00 kW	2,490.27 €	2,963.42 €
219.5608.037	BADU Resort 60	3~ Y/Δ 400/230 V	2.60 kW	1,915.43 €	2,279.36 €
219.5708.037	BADU Resort 70	3~ Y/Δ 400/230 V	3.00 kW	2,111.39 €	2,512.55 €
219.5808.037	BADU Resort 80	3~ Y/Δ 690/400 V	4.00 kW	2,530.26 €	3,011.01 €
219.5118.037	BADU Resort 110	3~ Y/Δ 690/400 V	5.50 kW	2,865.16 €	3,409.54 €

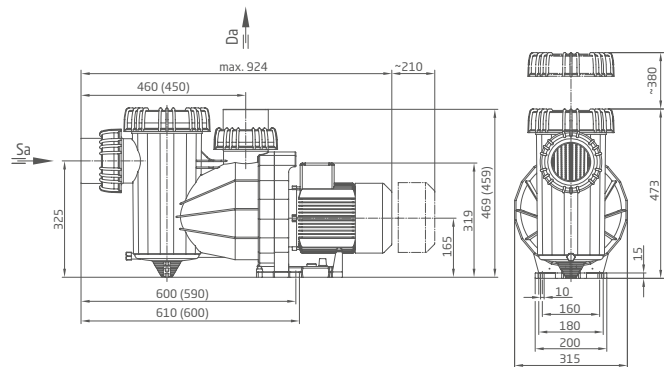
Three-way opening device included in delivery. See page 136.



Characteristics



Dimensions



Detailed dimensions available on request.



Circulation pumps, non-self-priming

Non-self-priming circulation pumps are reliable and proven. These pumps are placed under the water level and are therefore often the perfect choice for pool attractions and whirlpools. Available in 34 performance varieties, these BADU pumps are suitable for pool volumes of up to 100 m³.



BADU 42

Performance: 4-14 m³/h

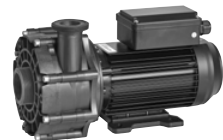
Page 64



BADU 47

Performance: 5-22 m³/h

Page 66



BADU 21-40

Performance: 12-30 m³/h

Page 68



BADU 21-41

Performance: 12-30 m³/h

Page 70



BADU 21-50/21-60

Performance: 20-50 m³/h

Page 72



BADU 21-80

Performance: 40-80 m³/h

Page 74



BADU 21-81

Performance: 40-80 m³/h

Page 76

The pumps pictured above can be used for pool water with a salt concentration of up to 0.5 %, i.e. 5 g/l. For higher salt concentrations please contact us.

BADU[®] Fact checker

Well-informed for the right decision: The BADU fact checker.
Relevant pump features at a glance and in direct comparison.



Comparison of parameters	BADU	42	47
Flow rate Q max. (m ³ /h)		15	25
Power input P ₁ (kW)		0.58-0.97	0.58-1.20
Power output P ₂ (kW)		0.30-0.65	0.30-0.80
Single phase 1~ 230 V*)		●	●
Three-phase 3~ 400/230 V*)		●	○
Glue socket d (mm)		-	63/50
Glue socket materials		-	ABS
Connection options		1½" IG	V
Catalogue page		64	66

*) Special Voltages on request.

V - Union
AG - Outer thread
IG - Inner thread
● - Yes
○ - No

Circulation pumps, non-self-priming



21-40	21-41	21-50/21-60	21-80	21-81
30	30	52	90	90
0.85-2.00	0.85-2.00	1.31-3.76	1.85-4.54	1.85-4.54
0.55-1.50	0.55-1.50	1.10-3.00	1.60-4.00	1.60-4.00
●	●	●	●	●
●	●	●	●	●
-	63	-	-	90
-	ABS	-	-	ABS
2" AG	V/2" AG	2¾" AG	2¾" AG	V
68	70	72	74	76

BADU® 42

Small jet pump with self-draining unit.
For bath tubs, whirlpools and spa facilities.

Field of application

BADU 42 series are the ideal pumps for jacuzzis, whirlpools and for use in spas.

Design

The bellows-type mechanical seal is mounted on a plastic shaft protector sleeve.

Motor/pump shaft has no contact with the pool water providing complete electrical separation.

Materials used

Pump housing	PP GF 15
Gland housing	PP GF 15
Impeller (BADU 42/6, 42/9)	PP GF 30
Impeller (BADU 42/12)	PA 66 GF 30
Mechanical seal	carbon/ceramic/NBR
Screws	stainless steel
Elastomers	NBR

Technical data at 50 Hz	BADU 42/	6	9	12
Inlet Sa/outlet connection Da d ⁴⁾		1½/1½	1½/1½	1½/1½
Rec. inlet/outlet pipe, PVC pipe, d ⁴⁾		50/50	50/50	50/50
Power input P ₁ /output P ₂ ¹⁾ (kW)	1~ 230 V	0.58/0.30	0.69/0.45	0.97/0.65
Rated current (A)	1~ 230 V	2.60	3.20	4.70
Power input P ₁ /output P ₂ ¹⁾ (kW)	3~ Y/Δ 400/230 V	0,55/0,30	0,68/0,45	0,95/0,65
Rated current (A)	3~ Y/Δ 400/230 V	1,00/1,75	1,25/2,15	1,75/3,00

For more detailed information regarding the motor protection please see page 147.

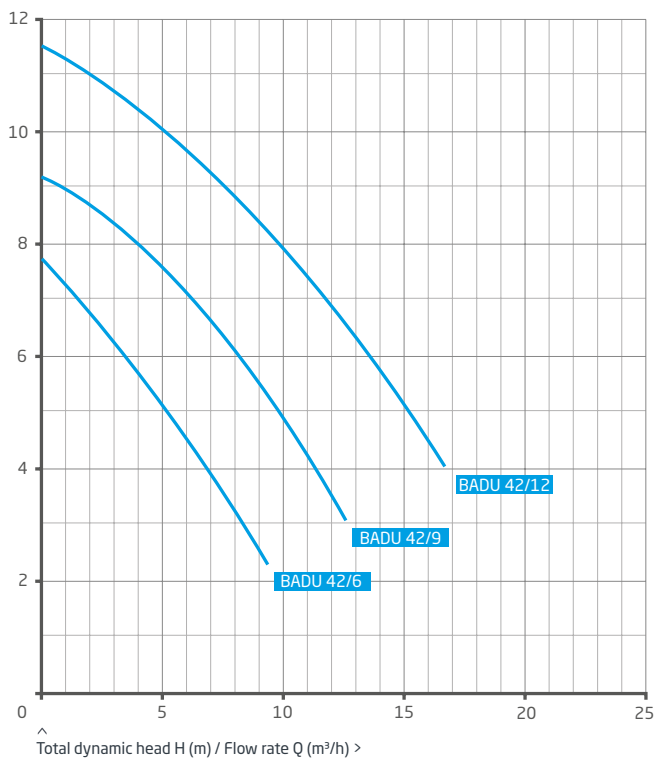
Technical data may vary.

Article no	Description	Voltage	Power output P ₂	Net RRP	Gross RRP ⁷⁾
204.2060.138	BADU 42/6	1~ 230 V	0.30 kW	506.85 €	603.15 €
204.2090.138	BADU 42/9	1~ 230 V	0.45 kW	558.84 €	665.02 €
204.2120.138	BADU 42/12	1~ 230 V	0.65 kW	566.83 €	674.53 €
204.2060.137	BADU 42/6	3~ Y/Δ 400/230 V	0.30 kW	473.86 €	563.89 €
204.2090.137	BADU 42/9	3~ Y/Δ 400/230 V	0.45 kW	538.85 €	641.23 €
204.2120.137	BADU 42/12	3~ Y/Δ 400/230 V	0.65 kW	546.83 €	650.73 €

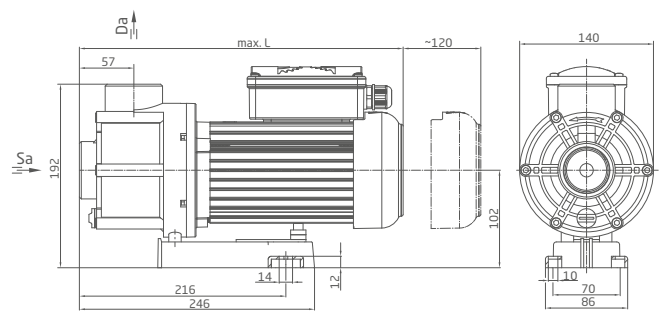


Circulation pumps, non-self-priming

Characteristics



Dimensions



Detailed dimensions available on request.

BADU® 47

Solid, medium-size jet pump.
For bath tubs, whirlpools and spa facilities.

Field of application

With a flow rate from 6 to 23 m³/h at 8 m head, the BADU 47 series are the ideal pumps for jacuzzis, whirlpools and for use in spas.

Design

The bellows-type mechanical seal is mounted on a plastic shaft protector sleeve.
Motor/pump shaft has no contact with the pool water providing complete electrical separation.

Materials used

Pump housing PP TV 40
Gland housing PP GF 15
Impeller (BADU 47/5, 47/10, 47/16) PPE GF 30
Impeller (BADU 47/22) PA 66 GF 30
Unions with glue sockets ABS
Mechanical seal carbon/ceramic/NBR
Screws brass/stainless steel
Elastomers NBR

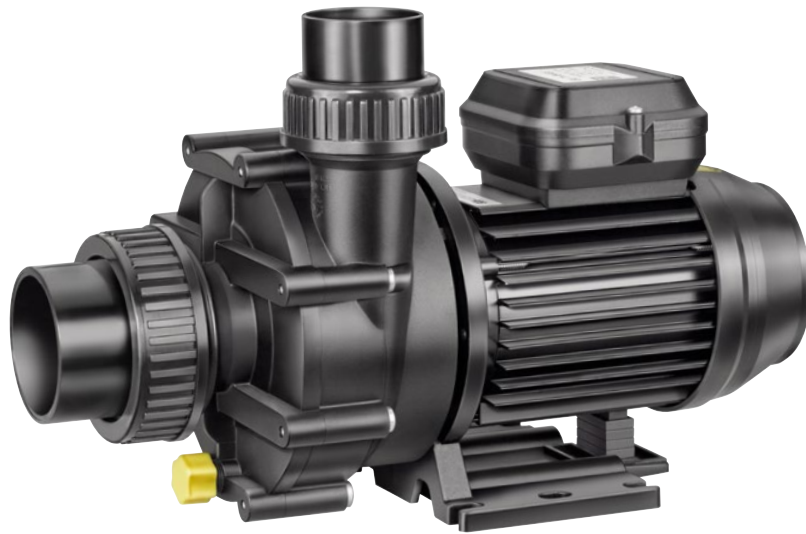
Circulation pumps, non-self-priming

Technical data at 50 Hz	BADU 47/	5	10	16	22
Inlet Sa/outlet connection Da d ⁴⁾		63/50	63/50	63/50	63/50
Rec. inlet/outlet pipe. PVC pipe. d ⁴⁾		50/50	50/50	50/50	63/50
Power input P ₁ /output P ₂ ¹⁾ (kW)	1~ 230 V	0.58/0.30	0.69/0.45	0.97/0.65	1.20/0.80
Rated current (A)	1~ 230 V	2.60	3.20	4.70	5.30

For more detailed information regarding the motor protection please see page 147.

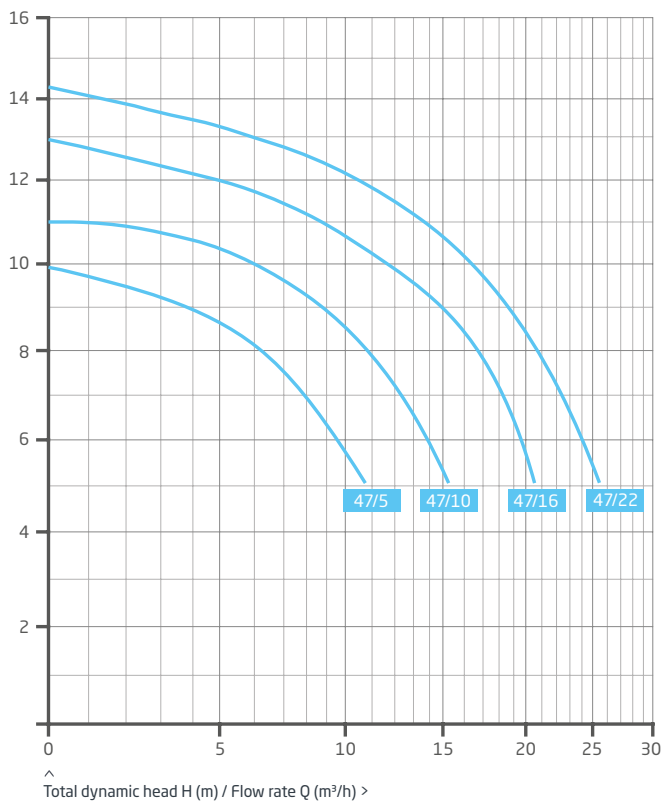
Technical data may vary.

Article no	Description	Voltage	Power output P ₂	Net RRP	Gross RRP ⁷⁾
204.7050.038	BADU 47/5	1~ 230 V	0.30 kW	323.92 €	385.46 €
204.7100.038	BADU 47/10	1~ 230 V	0.45 kW	333.90 €	397.34 €
204.7160.038	BADU 47/16	1~ 230 V	0.65 kW	355.90 €	423.52 €
204.7220.038	BADU 47/22	1~ 230 V	0.80 kW	376.90 €	448.51 €

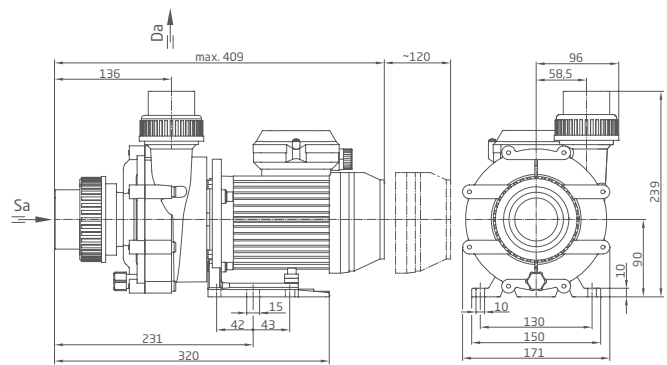


Circulation pumps, non-self-priming

Characteristics



Dimensions



Detailed dimensions available on request or at badu.de

BADU® 21-40

Universal. small circulation pump. Reliable and space-saving.
For tubs and pools, counter swim units and pool cleaning devices.

Field of application

Jet pump for bath tubs and whirlpools, massage units, air conditioning units and pool cleaning devices with a flow rate of up to 30 m³/h.

Design

The bellows-type mechanical seal is mounted on a plastic shaft protector sleeve.

Motor/pump shaft has no contact with the pool water providing complete electrical separation.

Discharge outlet swivels gradually by 90°. The unit may be installed vertically with the pump underneath.

The pump is self-draining when installed vertically.

For suitable connection unions please see page 138.

Materials used

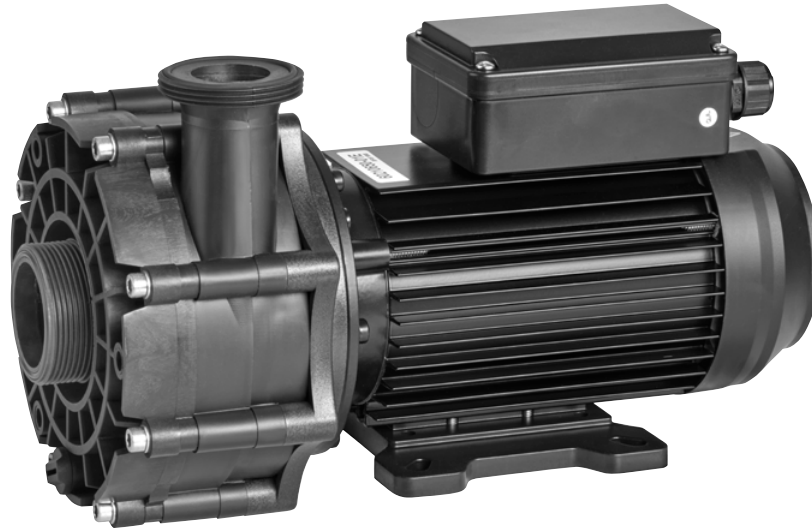
Pump housing	PP TV 40
Lid/stand	PP TV 40
Impeller (version H)	PPE GF 30 (PP GF 30)
Wear ring	stainless steel
Mechanical seal	carbon/ceramic/NBR
Screws	stainless steel
Elastomers	NBR

Technical data at 50 Hz	BADU 21-40/	63 G/H G	64 G/H G	65 G/H G	66 G/H G	68 G/H G
Inlet Sa/outlet connection Da d ⁴⁾		2/2*)	2/2*)	2/2*)	2/2*)	2/2*)
Rec. inlet/outlet pipe, PVC pipe, d ⁴⁾		63/63	63/63	63/63	63/63	75/75
Power input P ₁ /output P ₂ ¹⁾ (kW)	1~ 230 V	0.85/0.55	1.05/0.75	1.40/1.00	-/-	2.00/1.50
Rated current (A)	1~ 230 V	3.80	4.80	6.30	-/-	8.80
Power input P ₁ /output P ₂ ¹⁾ (kW)	3~ Y/Δ 400/230 V	-/-	-/-	-/-	1.50/1.10	1.95/1.50
Rated current (A)	3~ Y/Δ 400/230 V	-/-	-/-	-/-	3.00/5.20	3.60/6.20

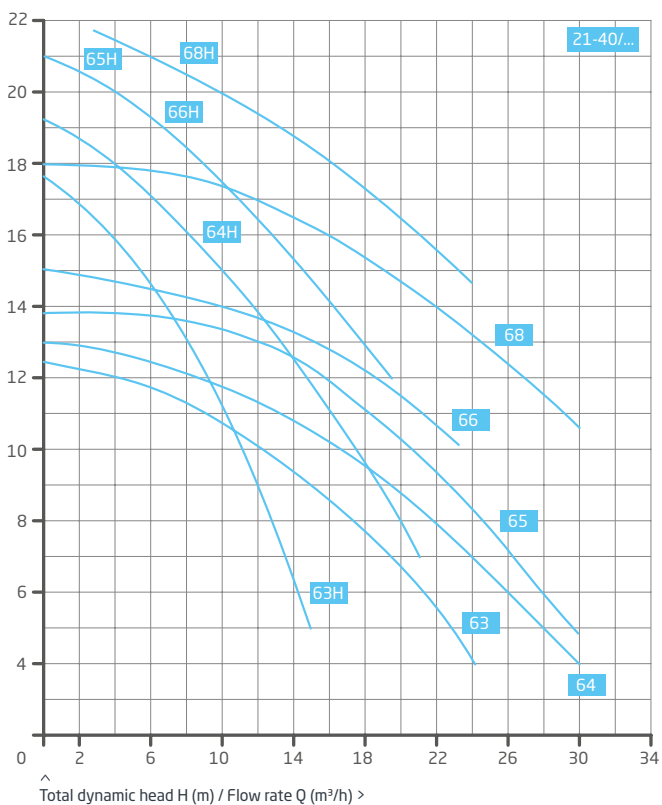
For more detailed information regarding the motor protection please see page 147.

*) Also available with ø 50/ø 40 hose adapters. | Technical data may vary.

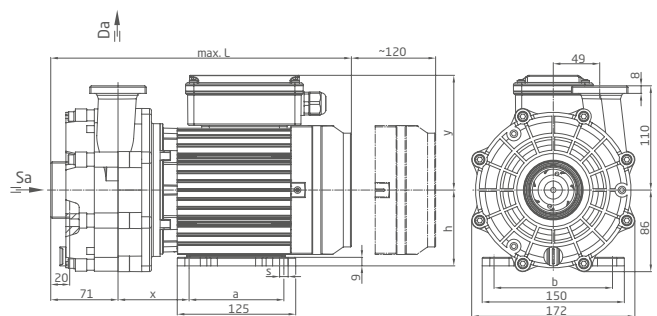
Article no	Description	Voltage	Power output P ₂	Net RRP	Gross RRP ⁷⁾
234.0630.138	BADU 21-40/63 G	1~ 230 V	0.55 kW	591.83 €	704.28 €
234.0630.338	BADU 21-40/63H G	1~ 230 V	0.55 kW	609.82 €	725.69 €
234.0640.138	BADU 21-40/64 G	1~ 230 V	0.75 kW	711.80 €	847.04 €
234.0640.338	BADU 21-40/64H G	1~ 230 V	0.75 kW	732.79 €	872.02 €
234.0650.138	BADU 21-40/65 G	1~ 230 V	1.00 kW	772.77 €	919.60 €
234.0650.338	BADU 21-40/65H G	1~ 230 V	1.00 kW	790.78 €	941.03 €
234.0680.138	BADU 21-40/68 G	1~ 230 V	1.50 kW	935.72 €	1,113.51 €
234.0680.338	BADU 21-40/68H G	1~ 230 V	1.50 kW	949.71 €	1,130.15 €
234.0660.137	BADU 21-40/66 G	3~ Y/Δ 400/230 V	1.10 kW	806.76 €	960.04 €
234.0660.337	BADU 21-40/66H G	3~ Y/Δ 400/230 V	1.10 kW	827.77 €	985.05 €
234.0680.137	BADU 21-40/68 G	3~ Y/Δ 400/230 V	1.50 kW	853.76 €	1,015.97 €
234.0680.337	BADU 21-40/68H G	3~ Y/Δ 400/230 V	1.50 kW	874.73 €	1,040.93 €



Characteristics



Dimensions



Detailed dimensions available on request or at badu.de

Dimension table

	a	b	h	s	x	x1	y	max. L
21-40/63 G/H G 1~	90	112	71	7	84	149	106	343
21-40/64 G/H G 1~	100	125	80	9	75	140	121	317
21-40/65 G/H G 1~	100	125	80	9	75	140	121	335
21-40/66 G/H G 3~	100	125	80	9	75	140	121	367
21-40/68 G/H G 1~	100	125	80	9	75	140	121	367
21-40/68 G/H G 3~	100	125	80	9	75	140	121	367

BADU® 21-41

Connection variant for the BADU 21-40/6 universal circulation pump.
For tubs and pools, counter swim units and pool cleaning devices.

Field of application

Jet pump for bath tubs and counter swim units, whirlpools, massage units, air conditioning units and pool cleaning devices with a flow rate of up to 30 m³/h.

Design

The bellows-type mechanical seal is mounted on a plastic shaft protector sleeve.

Motor/pump shaft has no contact with the pool water providing complete electrical separation.

Discharge outlet swivels gradually by 90°. The unit may be installed vertically with the pump underneath.

The pump is self-draining when installed vertically.

For suitable connection unions please see page 138.

Materials used

Pump housing PP TV 40
Lid/stand PP GF 15
Impeller (version H) PPE GF 30 (PP GF 30)
Mechanical seal carbon/ceramic/NBR
Screws stainless steel
Elastomers NBR
Union with glue socket ABS

Technical data at 50 Hz	BADU 21-41/	63 G/H G	64 G/H G	65 G/H G	66 G/H G	68 G/H G
Inlet Sa glue socket d ⁴ /outlet connection Da G ³		63/2	63/2	63/2	63/2	63/2
Rec. inlet/outlet pipe, PVC pipe, d ⁴		63/63	63/63	63/63	63/63	75/75
Power input P ₁ /output P ₂ ¹⁾ (kW)	1~ 230 V	0.85/0.55	1.05/0.75	1.40/1.00	-/-	2.00/1.50
Rated current (A)	1~ 230 V	3.80	4.80	6.30	-/-	8.80
Power input P ₁ /output P ₂ ¹⁾ (kW)	3~ Y/Δ 400/230 V	-/-	-/-	-/-	1.50/1.10	1.95/1.50
Rated current (A)	3~ Y/Δ 400/230 V	-/-	-/-	-/-	3.00/5.20	3.60/6.20

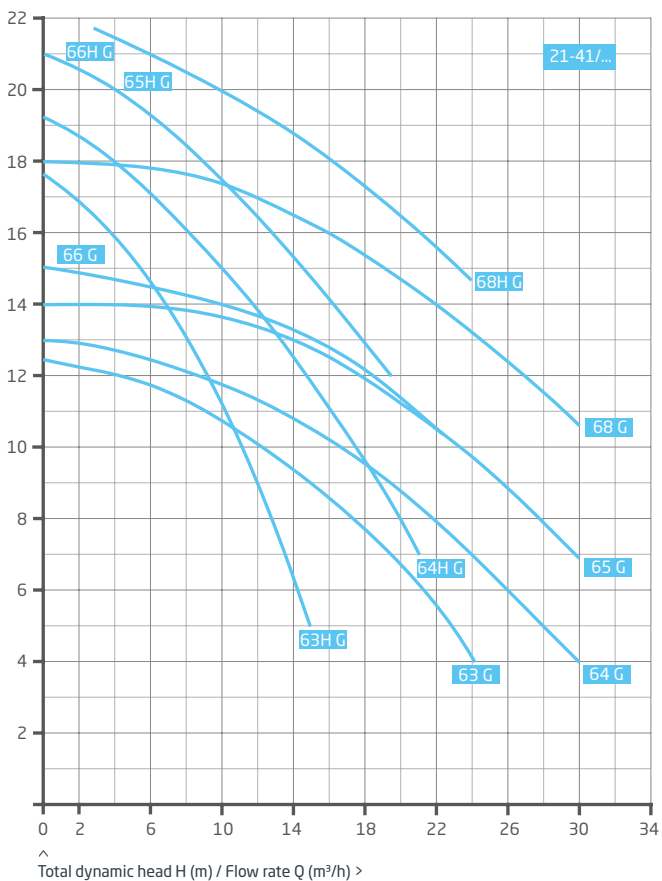
For more detailed information regarding the motor protection please see page 147.

Technical data may vary.

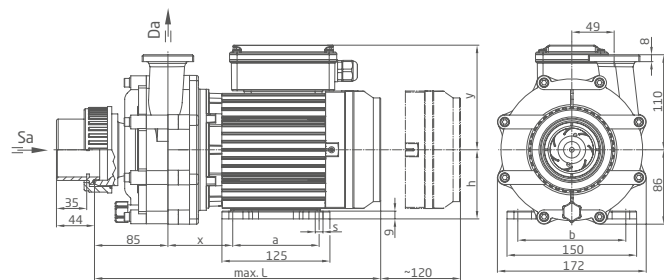
Article no	Description	Voltage	Power output P ₂	Net RRP	Gross RRP ⁷⁾
234.1630.138	BADU 21-41/63 G	1~ 230 V	0.55 kW	591.83 €	704.28 €
234.1630.338	BADU 21-41/63H G	1~ 230 V	0.55 kW	609.82 €	725.69 €
234.1640.138	BADU 21-41/64 G	1~ 230 V	0.75 kW	711.80 €	847.04 €
234.1640.338	BADU 21-41/64H G	1~ 230 V	0.75 kW	732.79 €	872.02 €
234.1650.138	BADU 21-41/65 G	1~ 230 V	1.00 kW	773.78 €	920.80 €
234.1650.338	BADU 21-41/65H G	1~ 230 V	1.00 kW	790.78 €	941.03 €
234.1680.138	BADU 21-41/68 G	1~ 230 V	1.50 kW	935.72 €	1,113.51 €
234.1680.338	BADU 21-41/68H G	1~ 230 V	1.50 kW	949.71 €	1,130.15 €
234.1660.137	BADU 21-41/66 G	3~ Y/Δ 400/230 V	1.10 kW	806.76 €	960.04 €
234.1660.337	BADU 21-41/66H G	3~ Y/Δ 400/230 V	1.10 kW	827.77 €	985.05 €
234.1680.137	BADU 21-41/68 G	3~ Y/Δ 400/230 V	1.50 kW	853.76 €	1,015.97 €
234.1680.337	BADU 21-41/68H G	3~ Y/Δ 400/230 V	1.50 kW	874.73 €	1,040.93 €



Characteristics



Dimensions



Detailed dimensions available on request or at badu.de

Dimension table	a	b	h	s	x	x1	y	max. L
21-41/63 G/H G 1~	90	112	71	7	84	149	106	357
21-41/64 G/H G 1~	100	125	80	9	75	140	121	331
21-41/65 G/H G 1~	100	125	80	9	75	140	121	349
21-41/66 G/H G 3~	100	125	80	9	75	140	121	381
21-41/68 G/H G 1~	100	125	80	9	75	140	121	381
21-41/68 G/H G 3~	100	125	80	9	75	140	121	381

BADU® 21-50/21-60

Universal, medium-size circulation pump. Reliable and flexible.
For whirlpools, counter swim units, pool cleaning devices and massage units.

Field of application

Large whirlpools, hotel pools, swimming pools and industrial filter units, counter swim units, massage units, air conditioning units, pool cleaning devices and many other applications with a flow rate of up to 54 m³/h.

Design

The bellows-type mechanical seal is mounted on a plastic shaft protector sleeve.
Motor/pump shaft has no contact with the pool water providing complete electrical separation.
Discharge outlet swivels infinitely.

Materials used

Pump housing PP GF 30
Gland housing PPE GF 30
Impeller BADU 21-50 POM GF 30
Impeller BADU 21-60 PP GF 30
Wear ring stainless steel
Mechanical seal carbon/ceramic/NBR
Impeller nut PP GF 30
Clamping ring aluminium
Screws stainless steel
Motor shaft stainless steel
Elastomers NBR/Viton

For suitable connection unions please see page 138.

Technical data at 50 Hz	BADU 21-	50/42 G	50/43 G	50/44 G	60/43 G	60/44 G	60/46 G
Inlet Sa/ outlet connection Da G ³⁾		2¾/2¾	2¾/2¾	2¾/2¾	2¾/2¾	2¾/2¾	2¾/2¾
Rec. inlet/outlet pipe. PVC pipe. d ⁴⁾		90/75	90/75	90/75	90/75	90/75	90/75
Power input P ₁ / output P ₂ ¹⁾ (kW)	1~ 230 V	1.58/1.10	2.12/1.60	2.90/2.20	2.12/1.60	2.90/2.20	3.76/3.00
Rated current (A)	1~ 230 V	7.10	9.40	12.80	9.40	12.80	16.50
Power input P ₁ / output P ₂ ¹⁾ (kW)	3~ Y/Δ 400/230 V	1.31/1.10	1.85/1.60	2.56/2.20	1.85/1.60	2.56/2.20	3.44/3.00
Rated current (A)	3~ Y/Δ 400/230 V	2.80/4.80	3.50/6.10	4.90/8.50	3.50/6.10	4.90/8.50	6.10/10.60

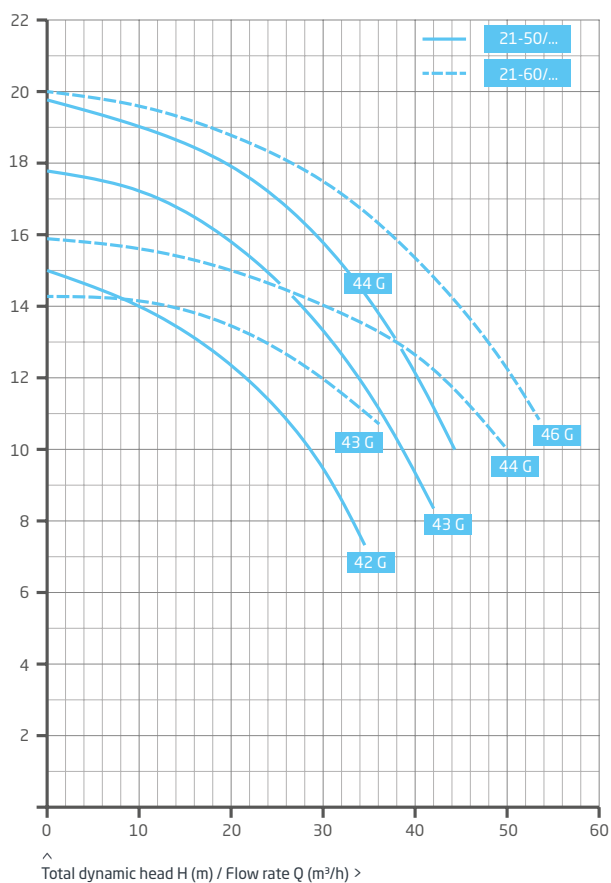
For more detailed information regarding the motor protection please see page 147.

Technical data may vary.

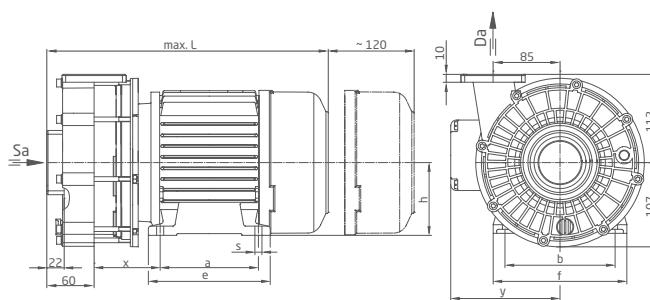
Article no	Description	Voltage	Power output P ₂	Net RRP	Gross RRP ⁷⁾
235.0420.138	BADU 21-50/42 G	1~ 230 V	1.10 kW	1,028.71 €	1,224.16 €
235.0430.138	BADU 21-50/43 G	1~ 230 V	1.60 kW	1,126.67 €	1,340.74 €
235.0440.138	BADU 21-50/44 G	1~ 230 V	2.20 kW	1,349.60 €	1,606.02 €
236.0430.138	BADU 21-60/43 G	1~ 230 V	1.60 kW	1,176.67 €	1,400.24 €
236.0440.138	BADU 21-60/44 G	1~ 230 V	2.20 kW	1,364.60 €	1,623.87 €
236.0460.138	BADU 21-60/46 G	1~ 230 V	3.00 kW	1,634.53 €	1,945.09 €
235.0420.137	BADU 21-50/42 G	3~ Y/Δ 400/230 V	1.10 kW	929.72 €	1,106.37 €
235.0430.137	BADU 21-50/43 G	3~ Y/Δ 400/230 V	1.60 kW	984.71 €	1,171.80 €
235.0440.137	BADU 21-50/44 G	3~ Y/Δ 400/230 V	2.20 kW	1,078.69 €	1,283.64 €
236.0430.137	BADU 21-60/43 G	3~ Y/Δ 400/230 V	1.60 kW	1,043.69 €	1,241.99 €
236.0440.137	BADU 21-60/44 G	3~ Y/Δ 400/230 V	2.20 kW	1,120.67 €	1,333.60 €
236.0460.137	BADU 21-60/46 G	3~ Y/Δ 400/230 V	3.00 kW	1,315.61 €	1,565.58 €



Characteristics



Dimensions



Detailed dimensions available on request or at badu.de

Dimension table	a	b	e	f	h	s	x	y	L
21-50/42 G 1~	125	140	155	166	90	10	100	153	381
21-50/42 G 3~	100	140	128	170	90	10	100	132	364
21-50/43 G 1~	125	140	155	166	90	10	100	153	381
21-50/43 G 3~	100	140	128	170	90	10	100	132	364
21-50/44 G 1~	125	140	155	166	90	10	100	153	381
21-50/44 G 3~	125	140	155	174	90	9	100	122.5	416
21-60/43 G 1~	125	140	155	166	90	10	100	132	381
21-60/43 G 3~	100	140	128	170	90	10	100	153	364
21-60/44 G 1~	125	140	155	166	90	10	100	153	381
21-60/44 G 3~	125	140	155	174	90	9	100	122.5	416
21-60/46 G 1~	140	160	170	192	100	12	107	176.5	423.5
21-60/46 G 3~	140	160	175	192	100	12	107	159.5	443

BADU® 21-80

Universal, large circulation pump. Reliable and high-powered.
For whirlpools, counter swim units and swimming pool attractions.

Field of application

Swimming pools and industrial filter units, counter swim units, air conditioning units, pool cleaning devices and many more applications with a flow rate of up to 90 m³/h.

Design

The bellows-type mechanical seal is mounted on a plastic shaft protector sleeve.

Motor/pump shaft has no contact with the pool water providing complete electrical separation.

Discharge outlets swivel gradually by 90° each and by 29° clockwise when viewing the pump from the suction side.

BADU 21-80/... SG conditionally self-priming up to 0.5 m on request.

For suitable connection unions please see page 138.

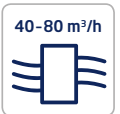
Materials used

Pump housing	PPE GF 30
Wear ring	stainless steel
Gland housing	PPE GF 30
Impeller	PP GF 30
Impeller nut	PP GF 30
Mechanical seal	carbon/ceramic/NBR
Motor shaft	stainless steel
Screws	stainless steel
Elastomers	NBR/Viton

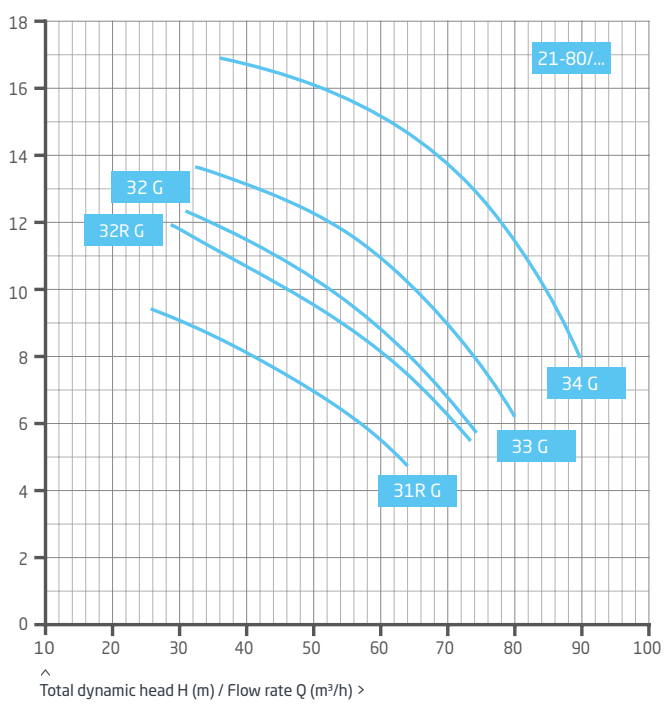
Technical data at 50 Hz	BADU 21-80	31R G	32R G	32 G	33 G	34 G
Inlet Sa/outlet connection Da R ²⁾		2¾/2¾**)	2¾/2¾**)	2¾/2¾**)	2¾/2¾**)	2¾/2¾**)
Rec. inlet/outlet pipe. PVC pipe. d ⁴⁾		110/110	110/110	110/110	140/110	140/110
Power input P ₁ /output P ₂ ¹⁾ (kW)	1~ 230 V	2.12/1.60	2.90/2.20	-/-	3.76/3.00	-/-
Rated current (A)	1~ 230 V	9.40	12.80	-/-	16.50*)	-/-
Power input P ₁ /output P ₂ ¹⁾ (kW)	3~ Y/Δ 400/230 V	1.85/1.60	2.56/2.20	3.00/2.60	3.44/3.00	-/-
Rated current (A)	3~ Y/Δ 400/230 V	3.50/6.10	4.90/8.50	5.60/9.70	6.10/10.60	-/-
Power input P ₁ /output P ₂ ¹⁾ (kW)	3~ Y/Δ 690/400 V	-/-	-/-	-/-	-/-	4.54/4.00
Rated current (A)	3~ Y/Δ 690/400 V	-/-	-/-	-/-	-/-	4.80/8.30

For more detailed information regarding the motor protection please see page 147. | *) Start-up current approx. 82 A. | **) Pumps also available with ø 82 mm hose connections. | Technical data may vary.

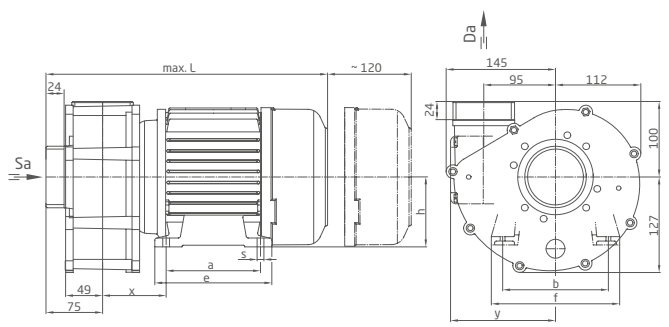
Article no	Description	Voltage	Power output P ₂	Net RRP	Gross RRP ⁷⁾
238.0310.138	BADU 21-80/31R G	1~ 230 V	1.60 kW	1,380.60 €	1,642.91 €
238.0320.138	BADU 21-80/32R G	1~ 230 V	2.20 kW	1,580.54 €	1,880.84 €
238.0330.138	BADU 21-80/33 G	1~ 230 V	3.00 kW	2,389.30 €	2,843.27 €
238.0310.137	BADU 21-80/31R G	3~ Y/Δ 400/230 V	1.60 kW	1,231.62 €	1,465.63 €
238.0320.537	BADU 21-80/32R G	3~ Y/Δ 400/230 V	2.20 kW	1,316.62 €	1,566.78 €
238.0320.137	BADU 21-80/32 G	3~ Y/Δ 400/230 V	2.60 kW	1,474.57 €	1,754.74 €
238.0330.137	BADU 21-80/33 G	3~ Y/Δ 400/230 V	3.00 kW	1,474.57 €	1,754.74 €
238.0340.137	BADU 21-80/34 G	3~ Y/Δ 690/400 V	4.00 kW	2,023.40 €	2,407.85 €



Characteristics



Dimensions



Detailed dimensions available on request.

Dimension table	a	b	e	f	h	s	x	y	L
21-80/31R G 1~	125	140	155	166	90	10	100	153	396
21-80/31R G 3~	100	140	128	170	90	10	100	132	379
21-80/32R G 1~	125	140	155	166	90	10	100	153	396
21-80/32R G 3~	125	140	155	174	90	9	100	122.5	431
21-80/32 G 3~	125	140	155	176	90	9	100	122.5	431
21-80/33 G 1~	140	160	170	192	100	12	107	176.5	438.5
21-80/33 G 3~	140	160	175	192	100	12	107	159.5	458
21-80/34 G 3~	140	160	175	192	100	12	107	159.5	466.5

BADU® 21-81

Connection variant for BADU 21-80 universal circulation pump.
For whirlpools, counter swim units and swimming pool attractions.

Field of application

Swimming pools and industrial filter units, counter swim units, air conditioning units, swimming pool attractions, cleaning devices and many more applications up to a flow rate of 90 m³/h.

Design

The bellows-type mechanical seal is mounted on a plastic shaft protector sleeve.

Motor/pump shaft has no contact with the pool water providing complete electrical separation.

Discharge outlets swivel gradually by 90° each and by 29° clockwise when viewing the pump from the suction side.

For suitable connection unions please see page 138.

Materials used

Pump housing	PPE GF 30
Wear ring	stainless steel
Gland housing	PPE GF 30
Impeller	PP GF 30
Impeller nut	PP GF 30
Glue sockets	ABS
Mechanical seal	carbon/ceramic/NBR
Motor shaft	stainless steel
Screws	stainless steel
Elastomers	NBR/Viton

Technical data at 50 Hz	BADU 21-81	31R	32R	32	33	34
Saug Sa/Druck Da d ⁴⁾		90/90	90/90	90/90	90/90	90/90
Empf. Saug-/Druckleitung. PVC-Rohr. d ⁴⁾		110/110	110/110	110/110	140/110	140/110
Leistungsaufnahme P ₁ /-abgabe P ₂ ¹⁾ (kW)	1~ 230 V	2.12/1.60	2.90/2.20	-/-	3.90/3.00	-/-
Nennstrom (A)	1~ 230 V	9.40	12.80	-/-	17.00*)	-/-
Leistungsaufnahme P ₁ /-abgabe P ₂ ¹⁾ (kW)	3~ Y/Δ 400/230 V	1.85/1.60	2.56/2.20	3.00/2.60	3.44/3.00	-/-
Nennstrom (A)	3~ Y/Δ 400/230 V	3.50/6.10	4.90/8.50	5.60/9.70	6.10/10.60	-/-
Leistungsaufnahme P ₁ /-abgabe P ₂ ¹⁾ (kW)	3~ Y/Δ 690/400 V	-/-	-/-	-/-	-/-	4.54/4.00
Nennstrom (A)	3~ Y/Δ 690/400 V	-/-	-/-	-/-	-/-	4.80/8.30

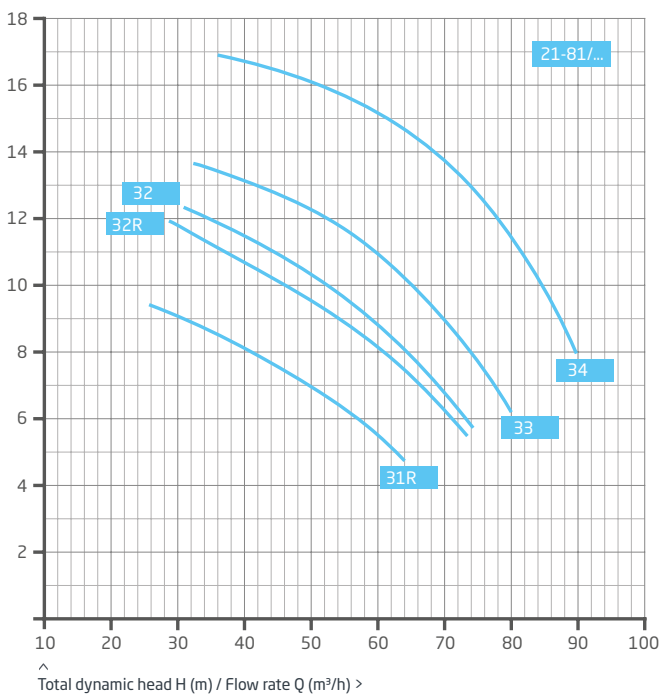
For more detailed information regarding the motor protection please see page 147.

*) Start-up current approx. 82 A. | Technical data may vary.

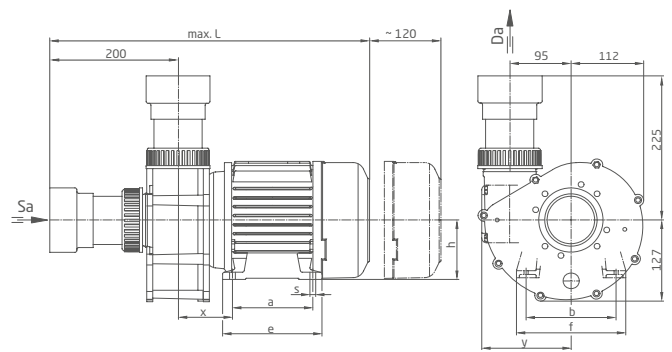
Article no	Description	Voltage	Power output P ₂	Net RRP	Gross RRP ⁷⁾
238.1310.238	BADU 21-81/31R	1~ 230 V	1.60 kW	1,380.60 €	1,642.91 €
238.1320.238	BADU 21-81/32R	1~ 230 V	2.20 kW	1,580.54 €	1,880.84 €
238.1330.338	BADU 21-81/33	1~ 230 V	3.00 kW	2,389.30 €	2,843.27 €
238.1310.237	BADU 21-81/31R	3~ Y/Δ 400/230 V	1.60 kW	1,231.62 €	1,465.63 €
238.1320.237	BADU 21-81/32R	3~ Y/Δ 400/230 V	2.20 kW	1,316.62 €	1,566.78 €
238.1320.337	BADU 21-81/32	3~ Y/Δ 400/230 V	2.60 kW	1,474.57 €	1,754.74 €
238.1330.337	BADU 21-81/33	3~ Y/Δ 400/230 V	3.00 kW	1,474.57 €	1,754.74 €
238.1340.337	BADU 21-81/34	3~ Y/Δ 690/400 V	4.00 kW	2,023.40 €	2,407.85 €



Characteristics



Dimensions

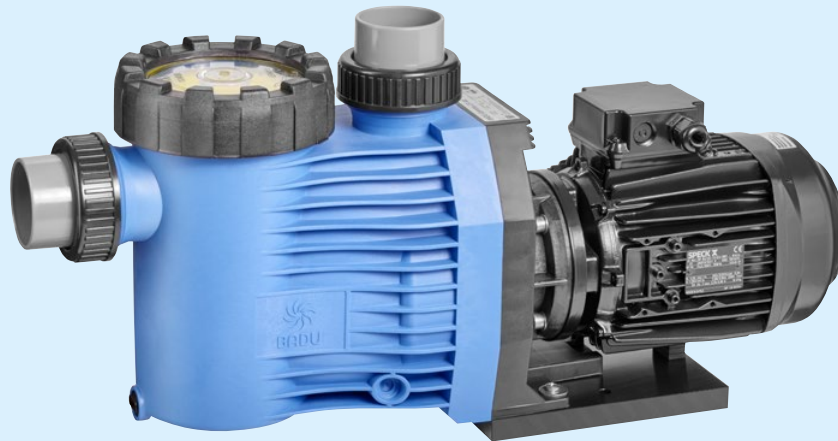


Detailed dimensions available on request.

Dimension table	a	b	e	f	h	s	x	y	L
21-81/31R 1~	125	140	155	166	90	10	100	153	521
21-81/31R 3~	100	140	128	170	90	10	100	132	504
21-81/32R 1~	125	140	155	166	90	10	100	153	521
21-81/32R 3~	125	140	155	174	90	9	100	122.5	556
21-81/32 3~	125	140	155	174	90	9	100	122.5	556
21-81/33 1~	140	160	170	192	100	12	107	176.5	563.5
21-81/33 3~	140	160	175	192	100	12	107	159.5	583
21-81/34 3~	140	160	175	192	100	12	107	159.5	591.5

BADU® AK Versions

Circulation pump with motor/pump separation for optimised use in salt water applications. For a longer service life in corrosive environments.



^
BADU Gamma-AK



www.tuv.com
ID 0000021507

Field of application

For thermal water, thermal brine, sea water aquariums with artificial salt water, brine units as well as various problematic media depending on the concentrations and components.

Attention:

When ordering please always state the intended medium so that the resistance of the pump can be checked.

Design

The pump corresponds to the respective standard version, except that the gland housing is not mounted directly to the A-side motor bearing, but is separated from the motor by an intermediate lantern and labyrinth disk. Thus, leaking medium and crystallizing minerals or salts cannot come into contact with the motor and its bearing. This guarantees a considerably longer life for this application compared to standard versions.

Special sealing materials available on request.

Materials used

See standard version.

Lantern	PPE GF 30
Mechanical seal	SiC/SiC/Viton
Screws	stainless steel
Elastomers	Viton

Motors

Special motors on request.¹⁾

Available types

BADU Magna, BADU Gamma, BADU Prime, BADU Resort, BADU Bronze, BADU 93, BADU FA, BADU 42, BADU 43, BADU 44, BADU 21-40, BADU 21-41, BADU 21-50/21-60, BADU 21-80, BADU 21-81.
Further types on request.

Technical data

See standard version.

GS approval

Valid for all AK version pumps which also have GS approval in the standard version.



^
BADU 21-50/...-AK

Characteristics

See standard version.

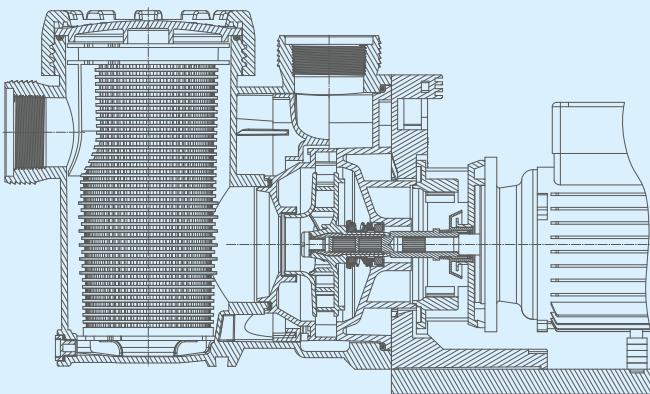
Dimensions

See standard version.

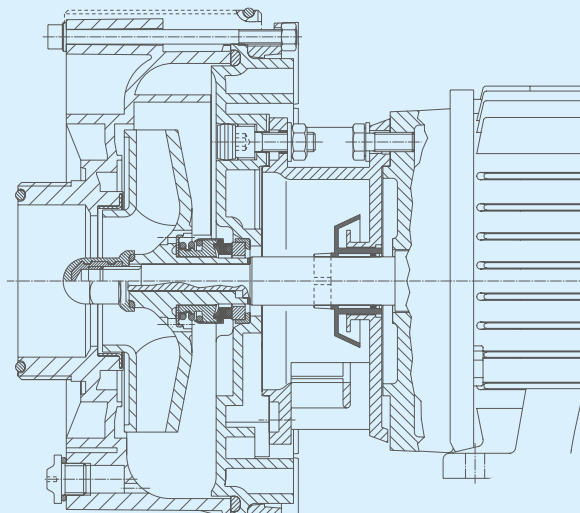
Note:

Length of the selected pump + approx. 65 mm
= total length of AK version

Sectional drawing BADU Gamma-AK



Sectional drawing BADU 21-50/...-AK



Detailed dimensions available on request.

A high-angle, close-up photograph of a person swimming in a pool. The water is a vibrant blue, and there is a lot of white splashing and bubbles around the swimmer's head and shoulders. The swimmer's dark hair is visible, and their skin is wet and glistening. The background is a deep, clear blue.

Counter swim units

Add a bit of movement to your pool and your life.

There are powerful BADU JET counter swim units to meet everyone's taste - from dreamy, gentle waves to powerful currents for cardio and fitness training. Available in overhang and built-in models; from modest to luxurious.

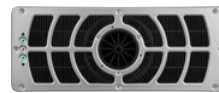
Product overview



BADU JET Turbo Light
Performance: 200 m³/h
Page 84



BADU JET Turbo
Performance: 245 m³/h
Page 86



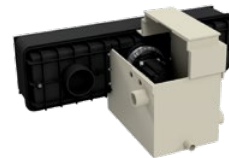
BADU JET Turbo Salt
Performance: 245 m³/h
Page 88



BADU JET Turbo Pro
Performance 350 m³/h
Page 90



BADU JET Turbo Pro salt
Performance: 350 m³/h
Page 92



BADU Technology Shaft
Page 94



BADU JET Vogue
Performance: 58 m³/h
Page 96



BADU JET Vogue Deluxe
Performance: 58 m³/h
Page 98



BADU JET Primavera
Performance: 85 m³/h
Page 100



BADU JET Primavera Deluxe
Performance: 85 m³/h
Page 102



BADU JET Riva
Performance: 58 m³/h
Page 104



BADU JET Stella
Performance: 75 m³/h
Page 106

BADUJET[®] Fact checker

Well-informed for the right decision: The BADUJET fact checker.
Relevant counter swim unit features at a glance and in direct comparison.



Comparison of parameters BADUJET	Turbo Light	Turbo / Turbo salt	Turbo Pro / Turbo Pro salt
Pump flow rate (m ³ /h)	90-200	125-245	150-350
Pump, BADU	○	○	○
Single phase 1~ 230 V*)	●	●	○
Three-phase 3~ 400/230 V*)	○	○	●
Number of nozzles	1	1	1
Accessories, see page	134	134	134
LED light	○	○	○
Pneumatic button	○	○	○
Piezo button	●	●	●
Wireless control	●	●	●
Air regulation	○	○	○
Adjustable flow rate	●	●	●
Winter panel kit	○	○	○
Type of installation	Fixed during initial build	Fixed during initial build	Fixed during initial build
Catalogue page	84	86/88	90/92

*) Special voltages on request.

● - Yes
○ - No



Vogue	Vogue Deluxe	Primavera	Primavera Deluxe	Riva	Stella
54-58	54-58	75-85	75-85	54-58	75
21-60/45 GT 27°, 21-60/44 GT 27°	21-60/45 GT 27°, 21-60/44 GT 27°	21-81/33 G 29°, 21-81/34 G 29°	21-81/33 G 29°, 21-81/34 G 29°	21-81/32 G, 21-81/32 RG	21-81/33 G
●	●	●	●	●	○
●	●	●	●	●	●
1	1	2	2	1	2
134	134	134	134	134	134
white/multicoloured	white/multicoloured	white/multicoloured	white/multicoloured	white/multicoloured	white/multicoloured
●	○	●	○	●	●
○	●	○	●	○	○
Optional	Optional	●	●	Optional	Optional
●	●	●	●	●	●
●	●	●	●	●	●
●	●	●	●	○	○
Fixed during initial build	Fixed during initial build	Fixed during initial build	Fixed during initial build	Expansion	Expansion
96	98	100	102	104	106

Counter swim units

BADUJET Turbo Light

Innovative technology combined with elegant design.
Perfect for leisure and relaxation swimmers.

Field of application

For mounting into walls of all pool models, up to a wall thickness of 7 mm, except for round pools.
For performance-oriented workouts, relaxation, rehabilitation training, fitness or leisure fun with the whole family.
For an endless swimming experience without without turns.

Design

The innovative propeller technology is concealed behind the main housing which is flush-mounted into the pool wall. It draws the water in through the front panel and returns it to the swimming pool with a powerful stream. The system is driven by an efficient, fanless, encapsulated permanent magnet motor.
Power is regulated and the system is switched on and off using the built-in piezo buttons or a remote control.

Materials used

Main housing ABS
Nozzle housing ABS
Covers ABS
Drive unit PP GF 30, PP TV 40
Mechanical Seal carbon/ceramic/NBR
Screws stainless steel

Scope of delivery

Plastic main housing, suction grating, ABS cover, clamping ring, motor unit, nozzle unit, piezo buttons, seals, screws, control box and remote control.

Technical data at 50 Hz/60 Hz	BADU JET Turbo Light
Flow rate (m ³ /h)	90-200
Voltage	1~ 230V
Power input P ₁ ¹⁾ (kW)	1.1
Number of nozzles (Ø 120 mm)	1
Flow velocity (m/s)	1.1-2.4
Multi-directional swivel nozzle (degrees)	±5

For more detailed information regarding the motor protection please see page 147.

Technical data may vary.

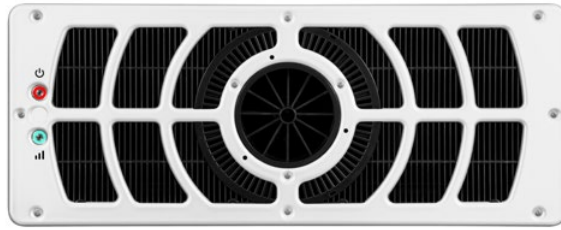
Article no	Description	Net RRP	Gross RRP ⁷⁾
232.8300.000	BADU JET Turbo Light ⁶⁾ cover: white	4,500,00 €	5,355,00 €
232.8310.000	BADU JET Turbo Light ⁶⁾ cover: grey	4,700,00 €	5,593,00 €
232.8000.406	BADU JET Turbo Light additional kit for 8-17 mm wall strength	50.99 €	60.68 €
232.8000.407	BADU JET Turbo Light additional kit for 18-27 mm wall strength	50.99 €	60.68 €

For pools with a wall thickness from 8 mm on request.

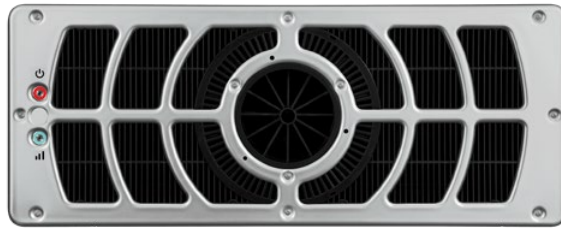
Counter swim units, submerged



Design white >



Design grey >

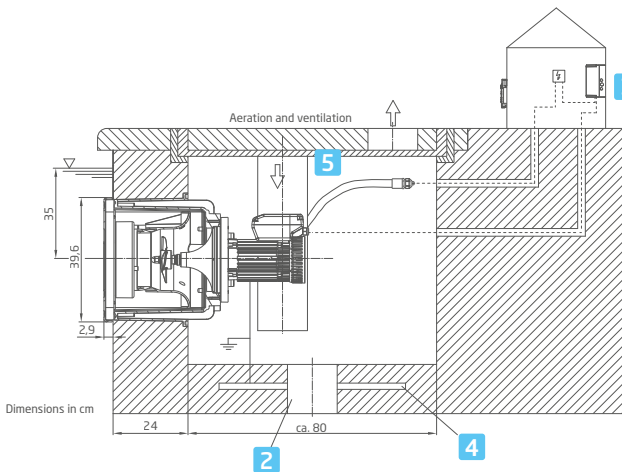


Pending approval.

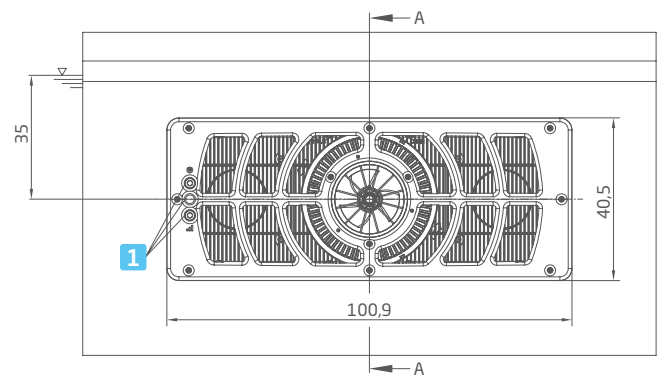


Installation diagram

Recommended installation example



Dimensions



Detailed dimensions available on request or at badu.de

- 1 Piezo buttons
- 2 Floor drainage
- 3 Control box
- 4 Earthing strap
- 5 Piezo protective hose/piezo button wiring

BADUJET Turbo

Innovative technology combined with elegant design.
Perfect for leisure and relaxation swimmers.

Field of application

For mounting into walls of all pool models, up to a wall thickness of 7 mm, except for round pools.
For performance-oriented workouts, relaxation, rehabilitation training, fitness or leisure fun with the whole family.
For an endless swimming experience without without turns.

Design

The innovative propeller technology is concealed behind the main housing which is flush-mounted into the pool wall. It draws the water in through the front panel and returns it to the swimming pool with a powerful stream. The system is driven by an efficient, fanless, fully encapsulated permanent magnet motor.
Power is regulated and the system is switched on and off using the built-in piezo buttons or a remote control.

Materials used

Main housing ABS
Nozzle housing ABS
Covers ABS/stainless steel
Intermediate flange PPE
Drive unit PPE/PP/stainless steel
Plain bearing SiC/SiC
Screws stainless steel

Scope of delivery standard assembly kit for design 1 and 2

Plastic main housing, suction cover, stainless steel cover design 1 or design 2, propeller unit, nozzle unit, piezo buttons, seals, screws.

Scope of delivery drive set 1 N~

Motor unit, frequency converter, control box, remote control, screws, shielded motor cable (10 m/25 m/45 m).

Technical data at 50 Hz/60 Hz	BADUJET Turbo
Flow rate (m ³ /h)	125-245
Voltage	1~ 200-240 V
Power input P ₁ ¹⁾ (kW)	1.20
Number of nozzles (Ø 120 mm)	1
Flow velocity (m/s)	1.50-3.00
Multi-directional swivel nozzle (degrees)	±5

For more detailed information regarding the motor protection please see page 147.

Technical data may vary.

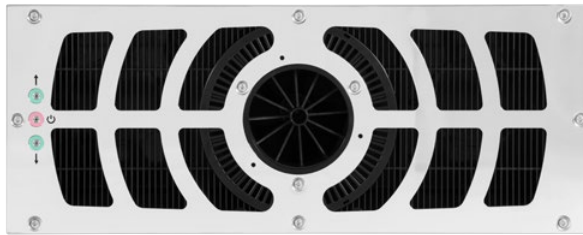
Article no	Description	Variation	Voltage	Power input P ₁	Net RRP	Gross RRP ⁷⁾
232.8100.000	BADUJET Turbo ⁶⁾ , Design 1	Standard assembly kit			4,600.00 €	5,474.00 €
232.8120.000	BADUJET Turbo ⁶⁾ , Design 2	Standard assembly kit			4,600.00 €	5,474.00 €
232.8200.001	BADUJET Turbo	Drive set, 10 m	1~ 230 V	1.20 kW	4,600.00 €	5,474.00 €
232.8200.002	BADUJET Turbo	Drive set, 25 m	1~ 230 V	1.20 kW	4,895.00 €	5,825.05 €
232.8200.003	BADUJET Turbo	Drive set, 45 m	1~ 230 V	1.20 kW	5,190.00 €	6,176.10 €
232.8000.406	BADUJET Turbo additional kit for 8-17 mm wall strength				50.99 €	60.68 €
232.8000.407	BADUJET Turbo additional kit for 18-27 mm wall strength				50.99 €	60.68 €

When ordering a complete unit please indicate the article number of the standard assembly kit and the drive set.

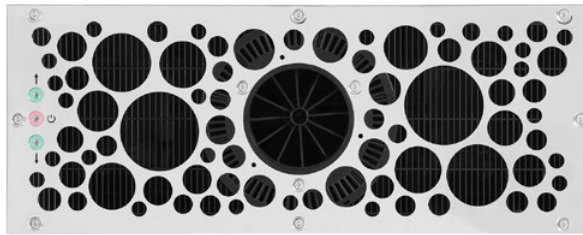
For pools with a wall thickness from 8 mm on request.



Design 1 >



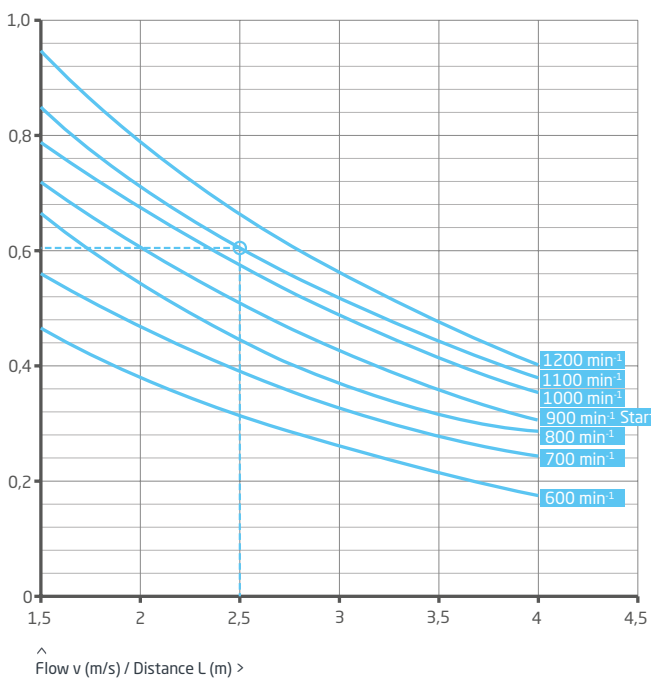
Design 2 >



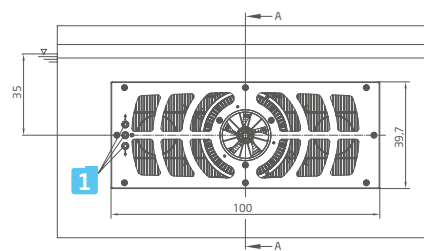
Pending approval.



Flow speed characteristics

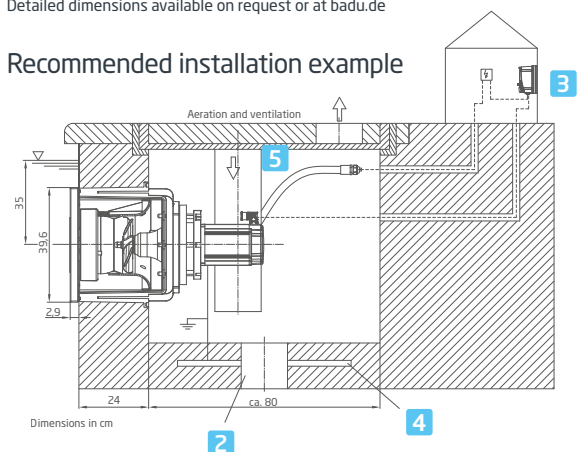


Dimensions



Detailed dimensions available on request or at badu.de

Recommended installation example



Example

Approx 0.60 m/s flow speed at the centre of the flow jet at 1,100 rpm and 2.50 m distance to the outlet nozzle.

- 1 Piezo buttons
- 2 Floor drainage
- 3 Frequency converter
- 4 Earthing strap
- 5 Piezo protective hose/piezo button wiring

BADUJET Turbo salt

Innovative technology combined with elegant design.
Perfect for leisure and relaxation swimmers.

Field of application

For thermal water, thermal brine, brine units as well as various problematic media depending on the concentrations and components.

For mounting into walls of all pool models, up to a wall thickness of 7 mm, except for round pools.

For performance-oriented workouts, relaxation, rehabilitation training, fitness or leisure fun with the whole family.

For an endless swimming experience without without turns.

Design

The innovative propeller technology is concealed behind the main housing which is flush-mounted into the pool wall. It draws the water in through the front panel and returns it to the swimming pool with a powerful stream.

The system is driven by an efficient, fanless, fully encapsulated permanent magnet motor.

Power is regulated and the system is switched on and off using the built-in piezo buttons or a remote control.

Materials used

Main housing	ABS
Nozzle housing	ABS
Covers	ABS
Intermediate flange	PPE
Drive unit	PPE/PP/stainless steel
Plain bearing	SiC/SiC
Screws	stainless steel (V5A)
Piezo buttons	stainless steel (V5A)

Scope of delivery standard assembly kit

Plastic main housing, suction panel, ABS cover, propeller unit, nozzle unit, piezo buttons, seals, screws.

Scope of delivery drive set 1 N~

Motor unit, frequency converter, control box, remote control, screws, shielded motor cable (10 m/25 m/45 m).

Technical data at 50 Hz/60 Hz	BADUJET Turbo salt
Flow rate (m ³ /h)	125-245
Voltage	1~ 200-240 V
Power input P ₁ ¹⁾ (kW)	1.20
Number of nozzles (Ø 120 mm)	1
Flow velocity (m/s)	1.50-3.00
Multi-directional swivel nozzle (degrees)	±5

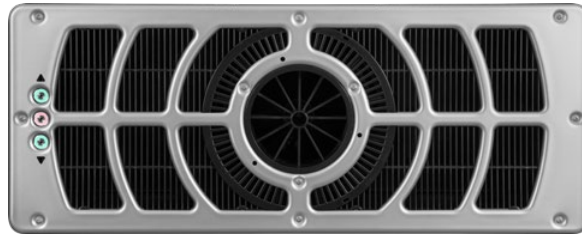
For more detailed information regarding the motor protection please see page 147.

Technical data may vary.

Article no	Description	Variation	Voltage	Power input P ₁	Net RRP	Gross RRP ⁷⁾
232.8170.000	BADUJET Turbo salt	Standard assembly kit			4,600.00 €	5,474.00 €
232.8200.001	BADUJET Turbo salt	Drive set, 10 m	1~ 230 V	1.20 kW	4,600.00 €	5,474.00 €
232.8200.002	BADUJET Turbo salt	Drive set, 25 m	1~ 230 V	1.20 kW	4,895.00 €	5,825.05 €
232.8200.003	BADUJET Turbo salt	Drive set, 45 m	1~ 230 V	1.20 kW	5,190.00 €	6,176.10 €
232.8000.408	BADUJET Turbo salt additional kit for 8-17 mm wall strength				50.99 €	60.68 €
232.8000.409	BADUJET Turbo salt additional kit for 18-27 mm wall strength				71.68 €	85.30 €
232.8000.500	BADUJET Turbo salt upgrade kit				695.00 €	827.05 €

When ordering a complete unit please indicate the article number of the standard assembly kit and the drive set.

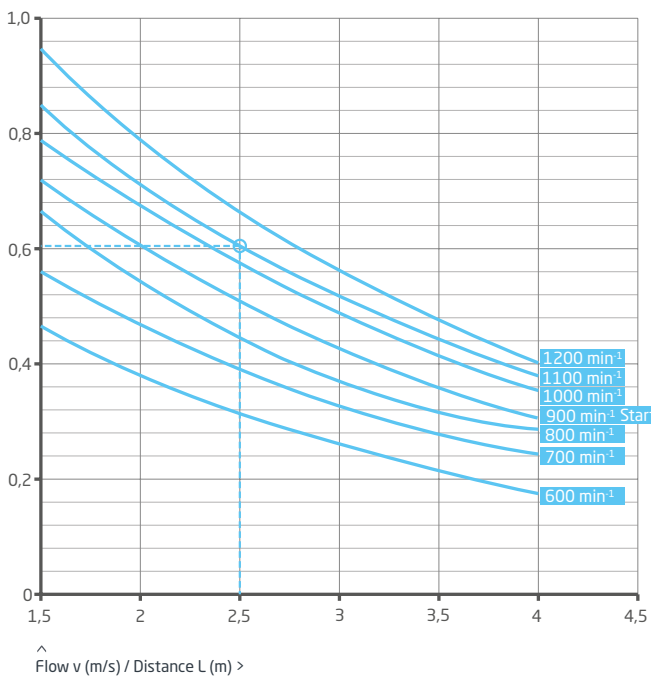
For pools with a wall thickness from 8 mm on request.



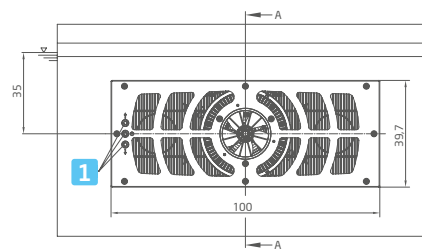
Pending approval.



Flow speed characteristics

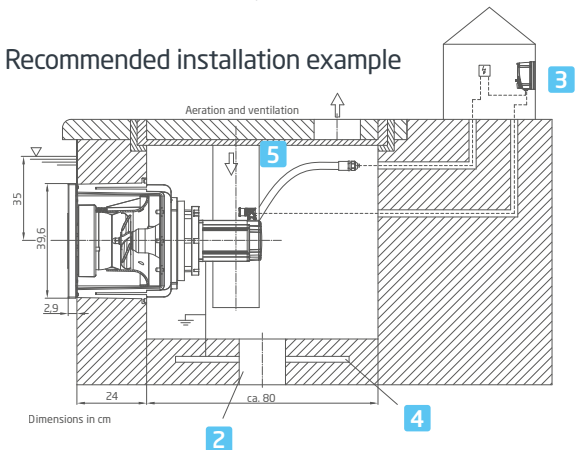


Dimensions



Detailed dimensions available on request.

Recommended installation example



Example

Approx 0.60 m/s flow speed at the centre of the flow jet at 1,100 rpm and 2.50 m distance to the outlet nozzle.

- 1 Piezo buttons
- 2 Floor drainage
- 3 Frequency converter
- 4 Earthing strap
- 5 Piezo protective hose/piezo button wiring

Counter swim units, submerged

BADUJET Turbo Pro

Innovation, performance and sophisticated design combined.
Welcome to the limit.

Field of application

For mounting into walls of all pool models, up to a wall thickness of 7 mm, except for round pools.
For performance oriented professional workouts, relaxation, rehabilitation training, fitness or leisure.

Design

The innovative propeller technology is concealed behind the main housing which is flush-mounted into the pool wall. It draws the water in through the front panel and returns it to the swimming pool with a powerful stream. The system is driven by an efficient, fanless, fully encapsulated permanent magnet motor.
Power control as well as switching the power on and off is carried out via the integrated piezo buttons or a remote control.

Materials used

Main housing ABS
Nozzle housing ABS
Covers ABS/stainless steel
Intermediate flange PPE
Drive unit PPE/PP/stainless steel
Plain bearing SiC/SiC
Screws stainless steel

Scope of delivery standard assembly kit for design 1 and 2

Plastic main housing, suction cover, stainless steel cover design 1 or design 2, propeller unit, nozzle unit, piezo buttons, seals, screws.

Scope of delivery drive set 3 N~

Motor unit, frequency converter, control box, remote control, screws, shielded motor cable (10 m/25 m/45 m).

Technical data at 50 Hz/60 Hz	BADU JET Turbo Pro
Flow rate (m ³ /h)	150-350
Voltage	3~ 380-480 V
Power input P ₁ ¹⁾ (kW)	2.75
Number of nozzles (Ø 120 mm)	1
Flow velocity (m/s)	1.80-4.10
Multi-directional swivel nozzle (degrees)	±5

For more detailed information regarding the motor protection please see page 147.

Technical data may vary.

Article no	Description	Variation	Voltage	Power input P ₁	Net RRP	Gross RRP ⁷⁾
232.5100.000	BADU JET Turbo Pro ⁶⁾ , Design 1	Standard assembly kit			6,297.15 €	7,493.61 €
232.5120.000	BADU JET Turbo Pro ⁶⁾ , Design 2	Standard assembly kit			6,297.15 €	7,493.61 €
232.5200.000	BADU JET Turbo Pro	Drive set, 10 m	3 N~	2.75 kW	6,297.15 €	7,493.61 €
232.5200.001	BADU JET Turbo Pro	Drive set, 25 m	3 N~	2.75 kW	6,477.11 €	7,707.76 €
232.5200.002	BADU JET Turbo Pro	Drive set, 45 m	3 N~	2.75 kW	6,657.05 €	7,921.89 €
232.5000.418	BADU JET Turbo Pro supplementary kit for tiled pools				50.99 €	60.68 €
232.5000.402	BADU JET Turbo Pro additional kit for 8-17 mm wall strength				50.99 €	60.68 €
232.5000.403	BADU JET Turbo Pro additional kit for 18-27 mm wall strength				50.99 €	60.68 €

When ordering a complete unit please indicate the article number of the standard assembly kit and the drive set.

For pools with a wall thickness from 8 mm on request.

Counter swim units, submerged



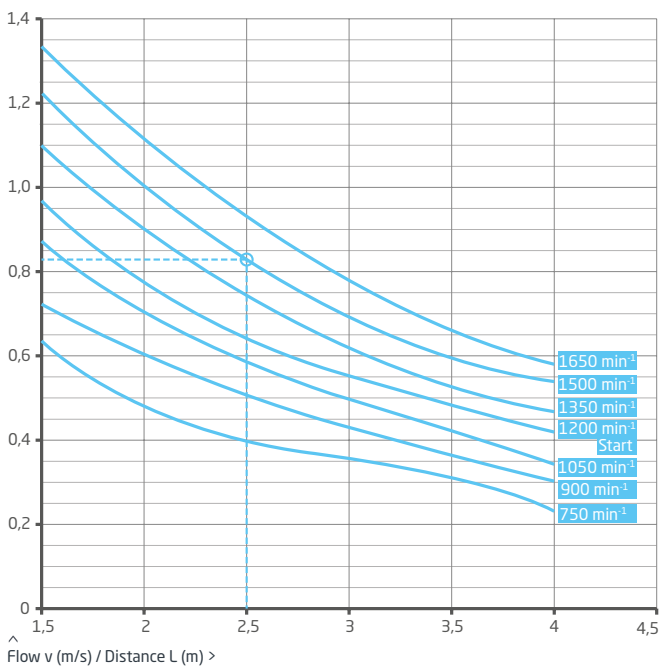
Design 1 >



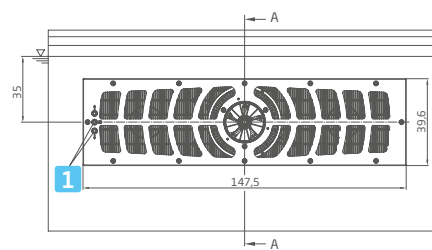
Design 2 >



Flow speed characteristics

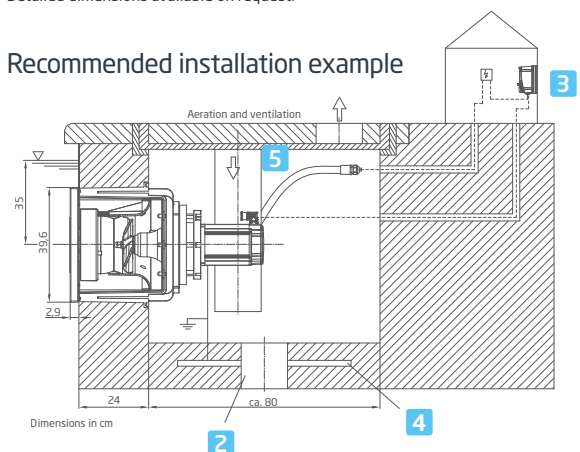


Dimensions



Detailed dimensions available on request.

Recommended installation example



Example

Approx 0.82 m/s flow speed at the centre of the flow jet at 1,500 rpm and 2.50 m distance to the outlet nozzle.

- 1 Piezo buttons
- 2 Floor drainage
- 3 Frequency converter
- 4 Earthing strap
- 5 Piezo protective hose/piezo button wiring

BADUJET Turbo Pro salt

Innovation, performance and sophisticated design combined.
Welcome to the limit.

Field of application

For thermal water, thermal brine, brine units as well as various problematic media depending on the concentrations and components.

For mounting into walls of all pool models, up to a wall thickness of 7 mm, except for round pools.

For performance oriented professional workouts, relaxation, rehabilitation training, fitness or leisure.

Design

The innovative propeller technology is concealed behind the main housing which is flush-mounted into the pool wall. It draws the water in through the front panel and returns it to the swimming pool with a powerful stream.

The system is driven by an efficient, fanless, fully encapsulated permanent magnet motor.

Power is regulated and the system is switched on and off using the built-in piezo buttons or a remote control.

Materials used

Main housing	ABS
Nozzle housing	ABS
Covers	ABS
Intermediate flange	PPE
Drive unit	PPE/PP/stainless steel
Plain bearing	SiC/SiC
Screws	stainless steel (V5A)
Piezo buttons	stainless steel (V5A)

Scope of delivery standard assembly kit

Plastic main housing, suction cover, ABS cover, propeller unit, nozzle unit, piezo buttons, seals, screws.

Scope of delivery drive set 3 N~

Motor unit, frequency converter, control box, remote control, screws, shielded motor cable (10 m/25 m/45 m).

Technical data at 50 Hz/60 Hz	BADUJET Turbo Pro salt
Flow rate (m ³ /h)	150-350
Voltage	3~ 380-480 V
Power input P ₁ ¹⁾ (kW)	3.60
Number of nozzles (Ø 120 mm)	1
Flow velocity (m/s)	1.80-4.10
Multi-directional swivel nozzle (degrees)	±5

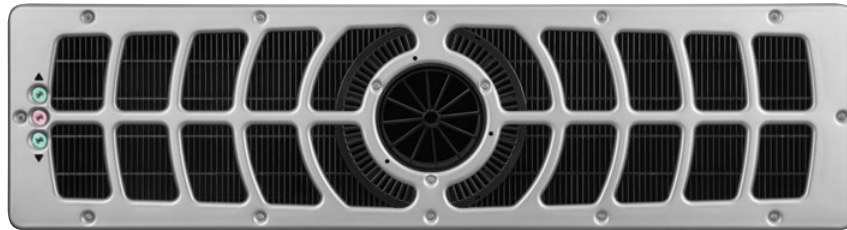
For more detailed information regarding the motor protection please see page 147.

Technical data may vary.

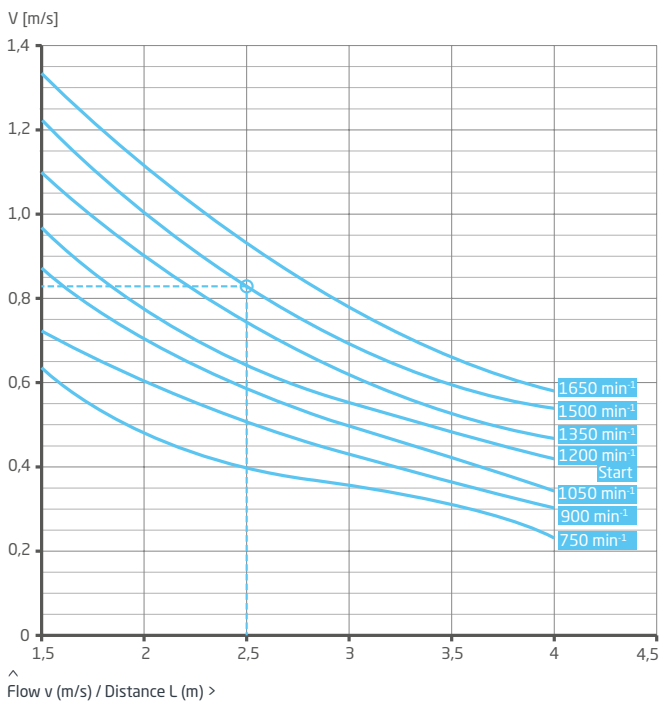
Article no	Description	Variation	Voltage	Power input P ₁	Net RRP	Gross RRP ⁷⁾
232.5170.000	BADUJET Turbo Pro salt	Standard assembly kit			6,297.15 €	7,493.61 €
232.5200.000	BADUJET Turbo Pro salt	Drive set, 10 m	3 N~	3.60 kW	6,297.15 €	7,493.61 €
232.5200.001	BADUJET Turbo Pro salt	Drive set, 25 m	3 N~	3.60 kW	6,477.11 €	7,707.76 €
232.5200.002	BADUJET Turbo Pro salt	Drive set, 45 m	3 N~	3.60 kW	6,657.05 €	7,921.89 €
232.5000.416	BADUJET Turbo Pro salt additional kit for 8 - 17 mm wall strength				50.99 €	60.68 €
232.5000.417	BADUJET Turbo Pro salt additional kit for 18 - 27 mm wall strength				50.99 €	60.68 €
232.5000.500	Upgrade kit BADUJET Turbo Pro salt				795.09 €	946.16 €

When ordering a complete unit please indicate the article number of the standard assembly kit and the drive set.

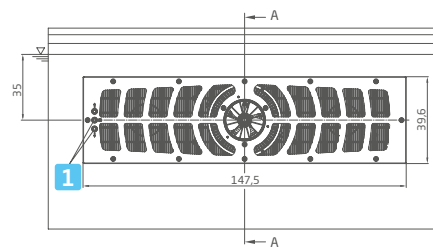
For pools with a wall thickness from 8 mm on request.



Flow speed characteristics

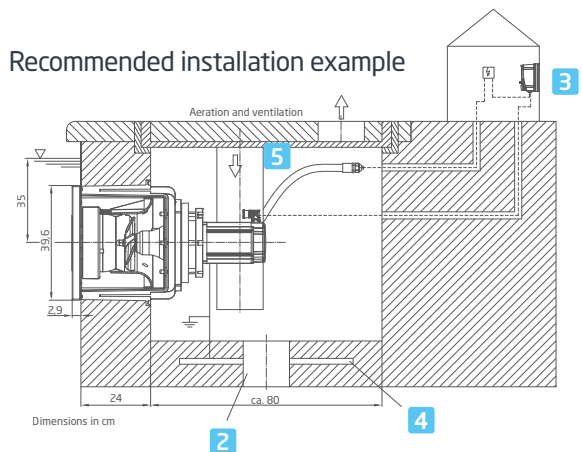


Dimensions



Detailed dimensions available on request.

Recommended installation example



- 1 Piezo buttons
- 2 Floor drainage
- 3 Frequency converter
- 4 Earthing strap
- 5 Piezo protective hose/piezo button wiring

Example

Approx 0.82 m/s flow speed at the centre of the flow jet at 1,500 rpm and 2.50 m distance to the outlet nozzle.

BADU[®]JET Technology Shaft

More space for attractions.

Field of application

Ready-made technology shaft solution for all BADU Jet Turbo / Turbo Pro models. Can be used in almost any pool installations. The technology shaft can be integrated discreetly into the overall concept of the pool system if an appropriate shaft cover is installed on-site.

Design

The shaft is made of polypropylene and has connections for ventilation, cable ducts and a floor drain. It has an inspection cover and an adjustable frame for straight and sloping pool walls.

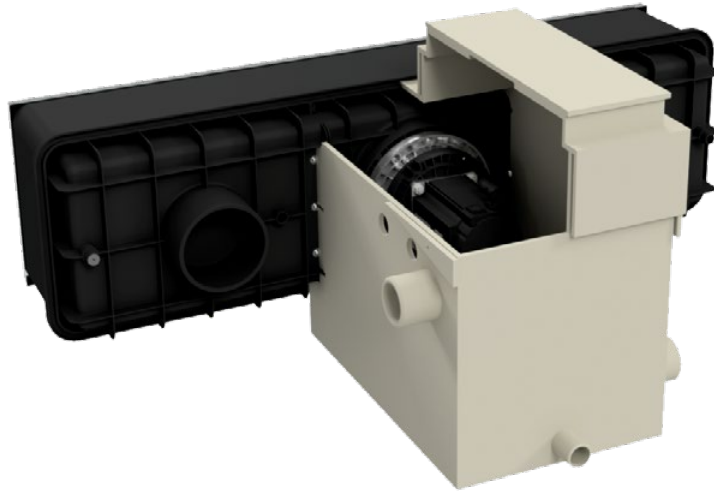
Materials used

Lower part	PP
Upper part	PP
Lid	PP

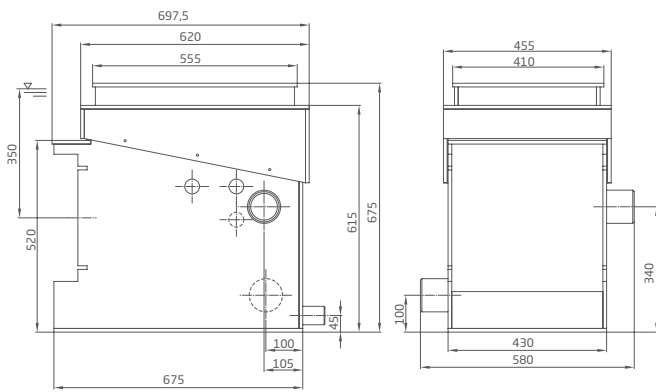
Technical data	Technology Shaft
External dimensions (width x height x depth in mm)	455 x 675 x 702
Internal dimensions (width x height x depth in mm)	410 x 655 x 655
Lid dimensions	410 x 555
Load class	A 15 - accessible
Aeration and ventilation	2x Ø 90mm socket for DN 90 HT fittings
Floor drainage	Ø 50mm socket
Cable entry grommet	3x Ø 40mm for DN 40 cable conduits

Article no	Description	Net RRP	Gross RRP ⁷⁾
232.5000.000	BADU JET Technology Shaft	1,475.00 €	1,755.25 €

Counter swim units, submerged



Dimensions



Detailed dimensions available on request.

BADUJET Vogue

Attractive design unit for discerning customers.
Red Dot award winning aesthetics with stainless steel cover.

Field of application

For mounting into walls of all pool models as a conversation piece, for fitness training, as a wave or bubble bath, for underwater massages (consult physician), for endless, no-turn swimming even in the smallest pool.

Design

A powerful jet pump is connected via suction and pressure lines with the plastic jet housing which is flush-mounted into the pool wall. The BADU pump draws the water in and returns it to the swimming pool with a powerful stream via an adjustable nozzle which swivels 60° in each direction. The large number of openings around the nozzle housing guarantees an extremely low priming flow.

The sinuous and homogeneous design of its cover, made of high quality stainless steel, is a real eye-catcher. A built-in LED lamp, which can be operated from the pool,

as well as the pneumatic switch and the regulation of the air bubble bath, add to a relaxed atmosphere. The pump and the LED light can be switched off automatically via the integrated timer. On delivery, this is always set to 15 minutes operating time.

Materials used

Cover stainless steel
Main housing ABS
Nozzle housing ABS
Interior parts ABS/stainless steel
Suction/pressure line PVC
Ball valves and fittings PVC

For recommended accessories as well as the winter kit, please see page 134.

Technical data at 50 Hz	BADU JET Vogue	21-60/45 GT 27°	21-60/44 GT 27°
Pump flow rate (m ³ /h)	3~/1~	58	54
Voltage	3~/1~	3 N~ 400/230 V	1~ 230 V
Power input P ₁ /output P ₂ ¹⁾ (kW)	3~/1~	3.18/2.60	2.89/2.20
Number of nozzles (Ø 40 mm)		1	1
Flow pressure at nozzle (bar)	3~/1~	1.10	1.00
Flow velocity in centre 2 m from the nozzle (m/s)	3~/1~	1.20	1.10
Massage pressure (bar) max.	3~/1~	1.60	1.40
Multi-directional swivel nozzle (degrees)		60	60

For more detailed information regarding the motor protection please see page 147.

Technical data may vary.

Article no	Description	Variation	Voltage	Power output P ₂	Net RRP	Gross RRP ²⁾
232.1100.000	BADU JET Vogue ⁶⁾	Pre-assembly kit			376.90 €	448.51 €
232.2400.000	BADU JET Vogue ¹⁾ - white LED	Final assembly kit	1~ 230 V	2.20 kW	3,605.95 €	4,291.08 €
232.2420.000	BADU JET Vogue ⁶⁾ - multicoloured LED	Final assembly kit	1~ 230 V	2.20 kW	3,789.89 €	4,509.97 €
232.2200.000	BADU JET Vogue ⁶⁾ - white LED	Final assembly kit	3 N~ 400/230 V	2.60 kW	3,478.99 €	4,140.00 €
232.2220.000	BADU JET Vogue ⁶⁾ - multicoloured LED	Final assembly kit	3 N~ 400/230 V	2.60 kW	3,660.93 €	4,356.51 €
232.1300.001	Ball valve kit				141.96 €	168.93 €
232.2000.402	Stainless steel hand rail for BADU JET Vogue, complete ⁶⁾				1,016.79 €	1,209.98 €

When ordering a complete unit please indicate the article number of the pre-assembly kit and the final assembly kit.

Counter swim units, submerged



With stainless steel cover >

Optional stainless steel hand rail >



Scope of delivery

Pre-assembly kit

- > Plastic housing
- > Clamping ring, screws and seals

Final assembly kit

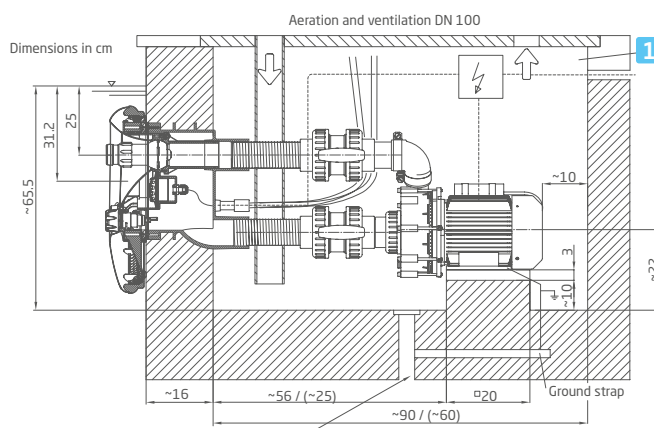
- > Complete nozzle housing with a swivelling nozzle and screws
- > Stainless steel cover
- > 63 mm suction/pressure line
- > Switching device
- > BADU 21-60/45 GT 27° or BADU 21-60/44 GT 27°

Note

If you use longer suction and pressure lines, please make sure they are wide enough in order to avoid power loss > see page 146.

Dimensions

Recommended installation example



Sufficiently dimensioned drain required.

Dimensions in brackets [] version without ball valves

Detailed dimensions available on request.

- 1 Shaft width min. 70 cm
- 2 Floor drainage

Counter swim units, submerged

BADUJET Vogue Deluxe

A material variation on the BADUJET Vogue with a hint of luxury. Made completely from stainless steel and simply impeccable.

Field of application

For mounting into walls of all pool models as a conversation piece, for fitness training, as a wave or bubble bath, for underwater massages (consult physician), for endless, no-turn swimming even in the smallest pool.

Design

As with the BADU JET Vogue, however with nozzle and control elements made from stainless steel and with piezo buttons.

For recommended accessories as well as the winter kit, please see page 134.

Materials used

Cover stainless steel
 Main housing ABS
 Nozzle housing ABS
 Interior parts ABS/stainless steel
 Suction/pressure line PVC
 Ball valves and fittings PVC
 Control elements stainless steel
 Nozzle ABS/stainless steel

Technical data at 50 Hz	BADU JET Vogue Deluxe	21-60/45 GT 27°	21-60/44 GT 27°
Pump flow rate (m ³ /h)	3~/1~	58	54
Voltage	3~/1~	3 N~ 400/230 V	1~ 230 V
Power input P ₁ /output P ₂ ¹⁾ (kW)	3~/1~	3.18/2.60	2.89/2.20
Number of nozzles (Ø 40 mm)		1	1
Flow pressure at nozzle (bar)	3~/1~	1.10	1.00
Flow velocity in centre 2 m from the nozzle (m/s)	3~/1~	1.20	1.10
Massage pressure (bar) max.	3~/1~	1.60	1.40
Multi-directional swivel nozzle (degrees)		60	60

For more detailed information regarding the motor protection please see page 147.

Technical data may vary.

Article no	Description	Variation	Voltage	Power output P ₂	Net RRP	Gross RRP ⁷⁾
232.1100.000	BADU JET Vogue Deluxe ⁶⁾	Pre-assembly kit			376.90 €	448.51 €
232.4400.000	BADU JET Vogue Deluxe ⁶⁾ - white LED	Final assembly kit	1~ 230 V	2.20 kW	4,207.77 €	5,007.25 €
232.4420.000	BADU JET Vogue Deluxe ⁶⁾ - multicoloured LED	Final assembly kit	1~ 230 V	2.20 kW	4,392.73 €	5,227.35 €
232.4200.000	BADU JET Vogue Deluxe ⁶⁾ - white LED	Final assembly kit	3 N~ 400/230 V	2.60 kW	4,078.82 €	4,853.80 €
232.4220.000	BADU JET Vogue Deluxe ⁶⁾ - multicoloured LED	Final assembly kit	3 N~ 400/230 V	2.60 kW	4,264.76 €	5,075.06 €
232.1300.001	Ball valve kit				141.96 €	168.93 €
232.2000.402	Stainless steel hand rail for BADU JET Vogue Deluxe, complete ⁶⁾				1,016.79 €	1,209.98 €

When ordering a complete unit please indicate the article number of the pre-assembly kit and the final assembly kit.

Counter swim units, submerged



Cover, nozzles and control elements made from stainless steel >

Nozzle housing with piezo button >

Optional stainless steel hand rail >



Scope of delivery

Pre-assembly kit

- > Plastic housing
- > Clamping ring, screws and seals

Final assembly kit

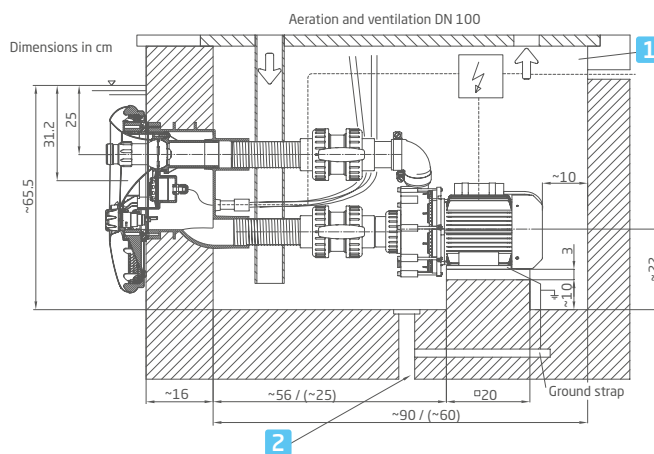
- > Complete nozzle housing with a swivelling nozzle and screws
- > Stainless steel cover
- > 63 mm suction/pressure line
- > Switching device
- > BADU 21-60/45 GT 27° or BADU 21-60/44 GT 27°

Note

If you use longer suction and pressure lines, please make sure they are wide enough in order to avoid power loss > see page 146.

Dimensions

Recommended installation example



Sufficiently dimensioned drain required.

Dimensions in brackets [] version without ball valves

Detailed dimensions available on request.

- 1 Shaft width min. 70 cm
- 2 Floor drainage

Counter swim units, submerged

BADUJET Primavera

Innovative technology for ambitious swimmers.
With optimum performance.

Field of application

For mounting into walls of all pool models as a conversation piece, for fitness training, as a wave or bubble bath, for underwater massages (consult physician), for endless, no-turn swimming even in the smallest pool.

Design

A powerful jet pump is connected via suction and pressure lines with the plastic jet housing which is flush-mounted into the pool wall.

The BADU pump draws the water in and returns it to the swimming pool with a powerful stream via two adjustable nozzles which swivel 60° in each direction. The large number of openings around the nozzle housing guarantees an extremely low priming flow. The sinuous and homogeneous design of its cover, which is made of high quality stainless steel, is a real eye-catcher. The pneumatic on/off switch and the regulation for the air-intake, which gives

the sparkling bubble bath effect, are both integrated in the nozzle housing. The pump and the LED light can be switched off automatically via the integrated timer. On delivery, this is always set to 15 minutes operating time.

Materials used

Main housing	ABS
Nozzle housing	ABS
Interior parts	PP/PC/ASA
Suction/pressure line	PVC
Shut-off valve and fittings	PVC
Cover/hand rail	stainless steel

For recommended accessories as well as the winter kit, please see page 134.

Technical data at 50 Hz	BADU JET Primavera	21-81/33 G 29°	21-81/34 G 29°
Pump flow rate (m³/h)	3~/1~	75	85
Voltage	3~/1~	3 N~ 400/230 V/1~ 230 V	3 N~ Δ 400 V
Power input P ₁ /output P ₂ ¹⁾ (kW)	3~/1~	3.74/3.00 / 3.90/3.00	4.55/4.00
Number of nozzles (Ø 40 mm)		2	2
Flow pressure at nozzles (bar)	3~/1~	1.00	1.00
Flow velocity in centre 2 m from the nozzles (m/s)	3~/1~	1.10	1.20
Massage pressure (bar) max.	3~/1~	1.60	1.80
Multi-directional swivel nozzles (degrees)		60	60

For more detailed information regarding the motor protection please see page 147.

Technical data may vary.

Article no	Description	Variation	Voltage	Power output P ₂	Net RRP	Gross RRP ⁷⁾
232.6100.000	BADU JET Primavera ⁶⁾	Pre-assembly kit			646.82 €	769.72 €
232.7401.000	BADU JET Primavera ⁶⁾ - white LED	Final assembly kit	1~ 230 V	3.00 kW	3,884.87 €	4,623.00 €
232.7421.000	BADU JET Primavera ⁶⁾ - multicoloured LED	Final assembly kit	1~ 230 V	3.00 kW	3,884.87 €	4,623.00 €
232.7201.000	BADU JET Primavera ⁶⁾ - white LED	Final assembly kit	3 N~ 400/230 V	3.00 kW	3,752.89 €	4,465.94 €
232.7221.000	BADU JET Primavera ⁶⁾ - multicoloured LED	Final assembly kit	3 N~ 400/230 V	3.00 kW	3,752.89 €	4,465.94 €
232.7801.000	BADU JET Primavera ⁶⁾ - white LED	Final assembly kit	3 N~ Δ 400 V	4.00 kW	4,014.83 €	4,777.65 €
232.7821.000	BADU JET Primavera ⁶⁾ - multicoloured LED	Final assembly kit	3 N~ Δ 400 V	4.00 kW	4,014.83 €	4,777.65 €
232.6100.010	BADU JET Primavera salt	Pre-assembly kit			662.46 €	788.33 €
232.7402.000	BADU JET Primavera salt - white LED	Final assembly kit	1~ 230 V	3.00 kW	4,234.75 €	5,039.35 €
232.7422.000	BADU JET Primavera salt multicoloured LED	Final assembly kit	1~ 230 V	3.00 kW	4,234.75 €	5,039.35 €
232.7202.000	BADU JET Primavera salt - white LED	Final assembly kit	3 N~ 400/230 V	3.00 kW	4,103.80 €	4,883.52 €
232.7222.000	BADU JET Primavera salt multicoloured LED	Final assembly kit	3 N~ 400/230 V	3.00 kW	4,103.80 €	4,883.52 €
232.7802.000	BADU JET Primavera salt - white LED	Final assembly kit	3 N~ Δ 400 V	4.00 kW	4,228.76 €	5,032.22 €
232.7822.000	BADU JET Primavera salt multicoloured LED	Final assembly kit	3 N~ Δ 400 V	4.00 kW	4,228.76 €	5,032.22 €
232.6100.100	BADU JET Primavera additional kit for tiled pools				51.70 €	61.52 €

When ordering a complete unit please indicate the article number of the pre-assembly kit and the final assembly kit.



With stainless steel cover >

Delivery with stainless steel hand rail and wireless control >



Scope of delivery

Pre-assembly kit

- > Plastic housing
- > Shut-off valve
- > Clamping ring, screws and seals

Final assembly kit

- > Complete nozzle housing with two swivelling nozzles and screws
- > Stainless steel cover and suction cover
- > 75 mm suction/pressure line
- > Switching device
- > BADU 21-81/33 G 29° or BADU 21-81/34 G 29°
- > Hand rail and waterproof BADU JET wireless control

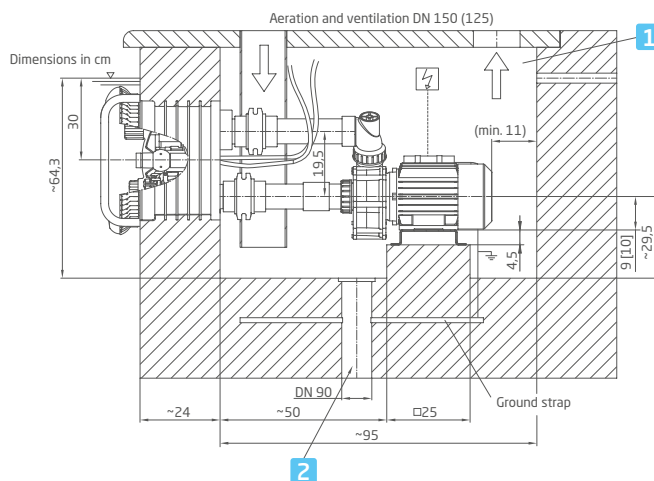
Note

If you use longer suction and pressure lines, please make sure they are wide enough in order to avoid power loss > see page 146.

The BADU JET Primavera counter swim unit is also available in the saltwater version BADU JET salt. (Possible saltwater concentration of up to 2 %).

Dimensions

Recommended installation example



Sufficiently dimensioned drain required
Dimensions in brackets [] only for BADU 21-81/33 1° and BADU 21-81/34 3°

Detailed dimensions available on request.

- 1 Shaft width min. 70 cm
- 2 Floor drainage

Counter swim units, submerged

BADUJET Primavera Deluxe

A material variation on the BADUJET Primavera, without any compromises.
Made completely from stainless steel and therefore high quality and wear resistant.

Field of application

For mounting into walls of all pool models as a conversation piece, for fitness training, as a wave or bubble bath, for underwater massages (consult physician), for endless, no-turn swimming even in the smallest pool.

Design

As with the BADUJET Primavera, however with nozzles and control elements made from stainless steel and with piezo buttons.

For recommended accessories as well as the winter kit, please see page 134.

Materials used

Main housing	ABS
Nozzle housing	ABS
Interior parts	PP/PC/ASA
Suction/pressure line	PVC
Shut-off valve and fittings	PVC
Cover/hand rail	stainless steel
Control elements	stainless steel
Nozzles	ABS/stainless steel

Technical data at 50 Hz	BADUJET Primavera Deluxe	21-81/33 G 29°	21-81/34 G 29°
Pump flow rate (m³/h)	3~/1~	75	85
Voltage	3~/1~	3 N~ 400/230 V/1~ 230 V	3 N~ Δ 400 V
Power input P ₁ /output P ₂ ¹⁾ (kW)	3~/1~	3.74/3.00 / 3.90/3.00	4.55/4.00
Number of nozzles (Ø 40 mm)		2	2
Flow pressure at nozzles (bar)	3~/1~	1.00	1.00
Flow velocity in centre 2 m from the nozzles (m/s)	3~/1~	1.10	1.20
Massage pressure (bar) max.	3~/1~	1.60	1.80
Multi-directional swivel nozzles (degrees)		60	60

For more detailed information regarding the motor protection please see page 147.

Technical data may vary.

Article no	Description	Variation	Voltage	Power output P ₂	Net RRP	Gross RRP ⁷⁾
232.6100.000	BADUJET Primavera Deluxe ⁶⁾	Pre-assembly kit			646.82 €	769.72 €
232.7401.000	BADUJET Primavera Deluxe ⁶⁾ - white LED	Final assembly kit	1~ 230 V	3.00 kW	4,142.79 €	4,929.92 €
232.7421.000	BADUJET Primavera Deluxe ⁶⁾ - multicoloured LED	Final assembly kit	1~ 230 V	3.00 kW	4,142.79 €	4,929.92 €
232.7201.000	BADUJET Primavera Deluxe ⁶⁾ - white LED	Final assembly kit	3 N~ 400/230 V	3.00 kW	4,012.82 €	4,775.26 €
232.7221.000	BADUJET Primavera Deluxe ⁶⁾ - multicoloured LED	Final assembly kit	3 N~ 400/230 V	3.00 kW	4,012.82 €	4,775.26 €
232.7801.000	BADUJET Primavera Deluxe ⁶⁾ - white LED	Final assembly kit	3 N~ Δ 400 V	4.00 kW	4,275.77 €	5,088.17 €
232.7821.000	BADUJET Primavera Deluxe ⁶⁾ - multicoloured LED	Final assembly kit	3 N~ Δ 400 V	4.00 kW	4,275.77 €	5,088.17 €
232.6100.100	BADUJET Primavera Deluxe additional kit for tiled pools				51.70 €	61.52 €

When ordering a complete unit please indicate the article number of the pre-assembly kit and the final assembly kit.



Cover, nozzles and control elements made from stainless steel >

Nozzle housing with piezo button >

Delivery with stainless steel hand rail and wireless control >



Scope of delivery

Pre-assembly kit

- > Plastic housing
- > Shut-off valve
- > Clamping ring, screws and seals

Final assembly kit

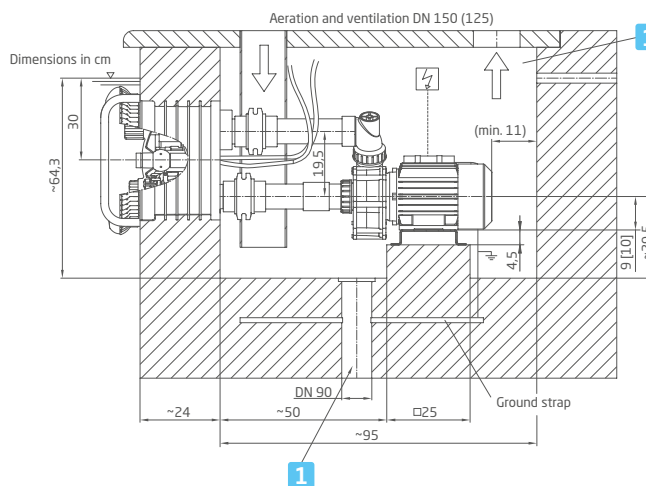
- > Complete nozzle housing with two swivelling nozzles and screws
- > Stainless steel cover and suction cover
- > 75 mm suction/pressure line
- > Switching device
- > BADU 21-81/33 G 29° or BADU 21-81/34 G 29°
- > Hand rail and waterproof BADU JET wireless control

Note

If you use longer suction and pressure lines, please make sure they are wide enough in order to avoid power loss - see page 146.

Dimensions

Recommended installation example



Sufficiently dimensioned drain required
Dimensions in brackets [] only for BADU 21-81/33 1° and BADU 21-81/34 3°

Detailed dimensions available on request.

- 1 Shaft width min. 70 cm
- 2 Floor drainage

Counter swim units, submerged

BADUJET Riva

High performance overhang unit with high gloss finish and LED lighting.
For medium-size pools. UV resistant, scratch and stain resistant.

Field of application

For expanding all pool models as an attraction, for fitness training, as a wave or bubble bath, for underwater massages (consult physician), for endless, no-turn swimming even in the smallest pool.

Materials used

Housing ABS/PMMA
Interior parts PP/ABS/stainless steel
Control elements ABS
Suction/pressure line PVC/ABS

Design

Water is drawn in through the suction inlet at the bottom of the unit using a powerful pump and led back into the pool through a strong jet via an adjustable nozzle. The BADU JET Riva is equipped with an easy-care, high quality, wood-look design inlay.

For recommended accessories see page 134.

Technical data at 50 Hz	BADU JET Riva	Z1-81/32 G	Z1-81/32 RG
Pump flow rate (m ³ /h)	3~/1~	58	54
Voltage	3~/1~	3 N~ 400/230 V	1~ 230 V
Power input P ₁ /output P ₂ ¹⁾ (kW)	3~/1~	3.18/2.60	2.89/2.20
Number of nozzles (Ø 40 mm)	3~/1~	1	1
Flow pressure at nozzle (bar)	3~/1~	1.10	1.00
Flow velocity in centre 2 m from the nozzle (m/s)	3~/1~	1.20	1.15
Massage pressure (bar) max.	3~/1~	1.60	1.60
Multi-directional swivel nozzle (degrees)	3~/1~	60	60

For more detailed information regarding the motor protection please see page 147.

Technical data may vary.

Article no	Description	Voltage	Power output P ₂	Net RRP	Gross RRP ²⁾
231.8600.000	BADU JET Riva - white LED	1~ 230 V	2.20 kW	3,183.07 €	3,787.85 €
231.8620.000	BADU JET Riva - multicoloured LED	1~ 230 V	2.20 kW	3,357.02 €	3,994.85 €
231.8500.000	BADU JET Riva - white LED	3 N~ 400/230 V	2.60 kW	3,117.09 €	3,709.34 €
231.8520.000	BADU JET Riva - multicoloured LED	3 N~ 400/230 V	2.60 kW	3,292.04 €	3,917.53 €
231.9851.000	Telescopic foot for above ground pools			193.95 €	230.80 €

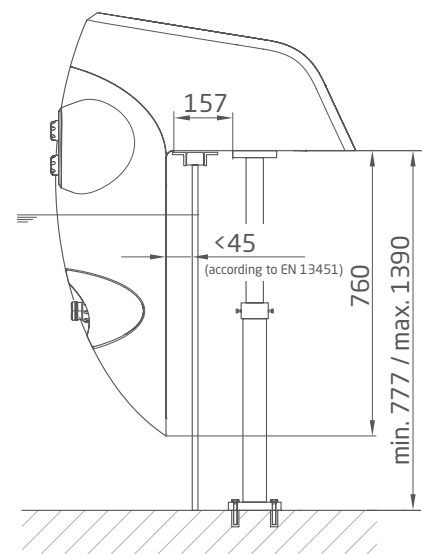
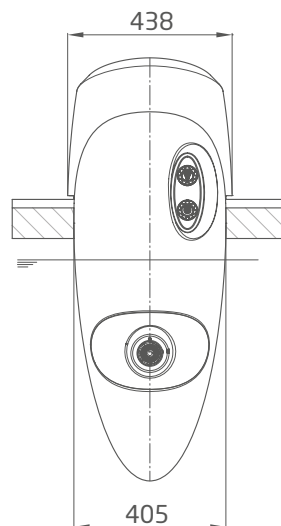
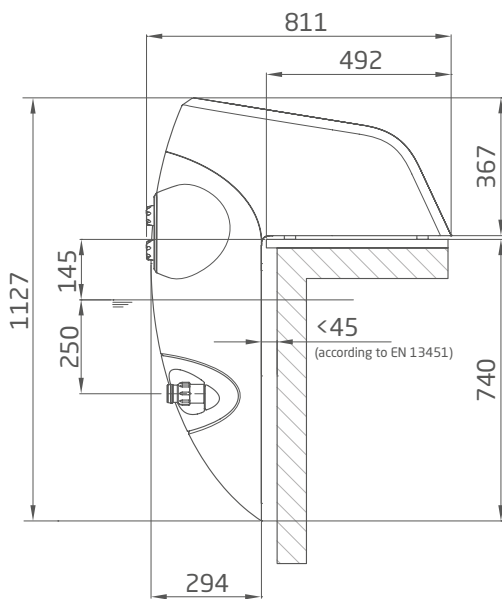


With white or multicoloured LED >

With design inlay as standard >



Dimensions



Detailed dimensions available on request.

Counter swim units, overhang

BADUJET Stella

Powerful overhang unit with high gloss finish and LED lighting.
For large pools. UV resistant, scratch and stain resistant.

Field of application

For expanding all pool models as an attraction, for fitness training, as a wave or bubble bath, for underwater massages (consult physician), for endless, no-turn swimming even in the smallest pool.

Materials used

Housing ABS/PMMA
Interior parts PP/ABS/stainless steel
Control elements ABS
Suction/pressure line PVC/ABS

Design

Water is drawn in through the suction inlet at the bottom of the unit using a powerful pump and led back into the pool through a strong jet via two adjustable nozzles. The BADU JET Stella is equipped with an easy-care, high quality, wood-look design inlay.

For recommended accessories see page 134.

Technical data at 50 Hz	BADU JET Stella	21-81/33 G
Pump flow rate (m ³ /h)	3~	75
Voltage	3~	3 N~ 400/230 V
Power input P ₁ /output P ₂ ¹⁾ (kW)	3~	3.74/3.00
Number of nozzles (Ø 40 mm)	3~	2
Flow pressure at nozzles (bar)	3~	1.00
Flow velocity in centre 2 m from the nozzles (m/s)	3~	1.40
Massage pressure (bar) max.	3~	1.60
Multi-directional swivel nozzles (degrees)	3~	60

For more detailed information regarding the motor protection please see page 147.

Technical data may vary.

Article no	Description	Voltage	Power output P ₂	Net RRP	Gross RRP ²⁾
231.9500.000	BADU JET Stella - white LED	3 N~ 400/230 V	3,00 kW	3,635.94 €	4,326.77 €
231.9520.000	BADU JET Stella - multicoloured LED	3 N~ 400/230 V	3,00 kW	3,811.89 €	4,536.15 €
231.9851.000	Telescopic foot for above ground pools			193.95 €	230.80 €

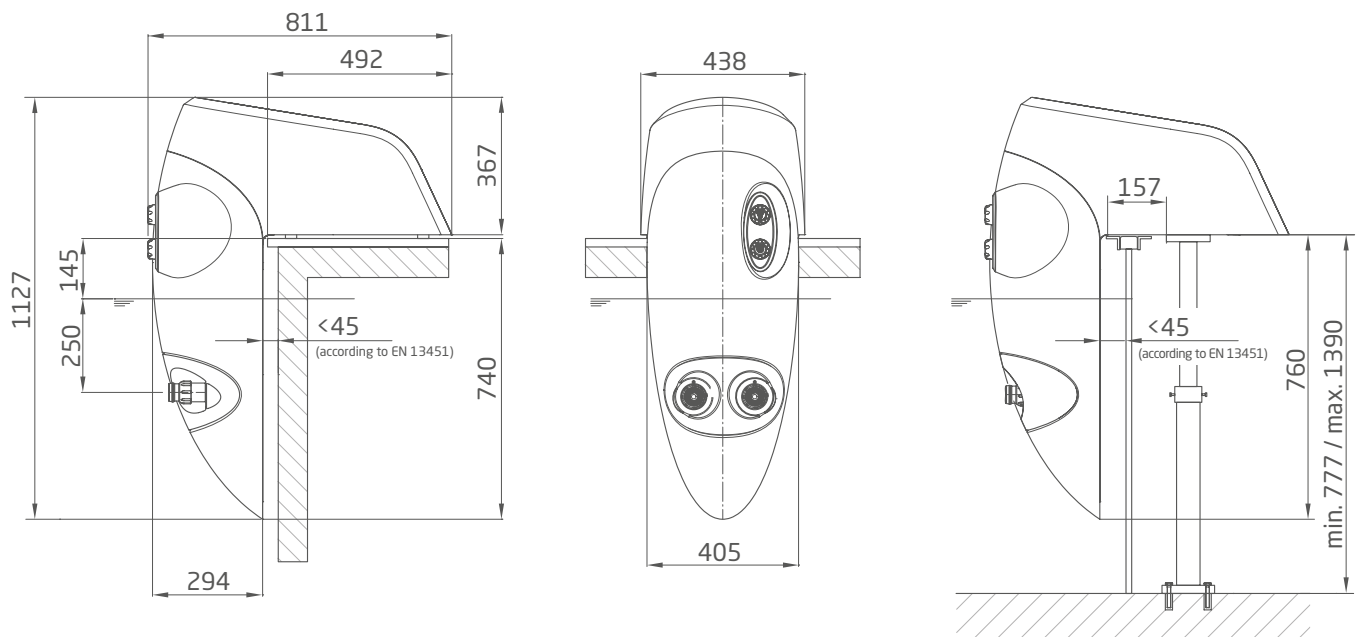


With white or multicoloured LED >

With design inlay as standard >



Dimensions

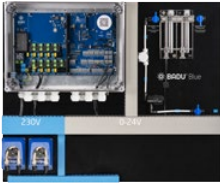


Detailed dimensions available on request.

Operation

BADU brings it all together, with high precision pool control systems, innovative filter solutions and high-performance valves that optimise your pool technology. The control systems are intuitive to operate and allow perfect coordination of all pool components. The filters are designed to provide crystal clear water through efficient filtration using the latest technology. And the backwash valves reliably regulate different water flow settings and contribute to the energy efficiency of the entire system.

Product overview



BADU Blue

Page 112



BADU Blue Pro

Page 114



BADU Omni actuator

Page 118



BADU NetLink

Page 120



BADU BNR 402

Page 121



**BADU FlowSonic/
BADU FlowSonic+**

Page 122



BADU Eco Star

Page 124



BADU Eco Drive II

Page 126



BADU OmniTronic

Page 128



**BADU Mat R 41/
BADU Mat R 51**

Page 130

Products not listed in the catalogue can be found on our website at **badu.de**





OPERATION

Controllers	112
Flow meters	122
Filter units	124
Frequency converters	126
Backwash units	128

The smart complete pool control system for carefree swimming fun.
With integrated measuring and control technology for private swimming pools.

Field of application

BADU Blue is a pool control system which is integrated in the network. It has been developed as a system that can be adapted to many different pool installations and a variety of technical equipment. The pool control with measuring and control technology is designed for private pools up to a maximum size of 100 m³. For pools > 100 m³ on request.

Mode of operation

Parameters that are recorded, evaluated and appropriately regulated can all be displayed and modified using a web app on a smartphone, tablet or PC. This can be displayed on the home network or through remote accessing. There is also the option for the pool builder to administer the control system via a backend.

Scope of delivery

- 1x BADU Blue terminal box, mounted on a mounting board, wired.
- 1x pH glass electrode
- 1x Redox glass electrode
- 1x Adhesive set for injection points and sample water
- 1x Buffer solution set
- 2x PE hose 3 m, ø 6 mm, white
- 1x Teflon tape, 12 mm wide
- 1x Interference snubber, wired, 250V AC
- 2x Accessories / small parts for dosing groups
- 1x Installation instructions

Features

- > Redox measurement.
- > Ph measurement.
- > Free chlorine measurement.
- > Control of variable speed and unregulated filter pumps.
- > Optional filter pressure and/or circulation monitoring.
- > Control of heating/heat pump/heat exchanger.
- > Control of the suction via floor drain (ECO) and overflow gutter / skimmer.
- > Active winterizing / frost protection.
- > Solar panel forced flushing.
- > Solar panel priority circuit.
- > Backwash control via actuator or rod valve possible.
- > Water level control for skimmer and overflow tank possible.
- > Safety switch-off / monitoring of the water refilling.
- > Connection of additional analogue sensors with display on the dashboard.
- > PV surplus control.
- > Temperature control with up to 12 sensors.
- > Connection of 4 suction lances for water care products.
- > Integration of the weather interface.
- > Software updates through independent installation.
- > Optional, free remote access via cloud server.
- > Configuration wizard.
- > User notification by email, push notifications.
- > Simple integration of the measured values into home automation systems (JSON API).
- > Inline assistant for direct access to the operating instructions.
- > Customisable user interface.
- > Support interface.



Features of the BADU Blue



Control of water disinfection (Redox)



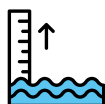
Control of pH value (pH plus or pH minus; optionally both)



Backwash control



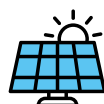
Alarm and notifications (by email or mobile push)



Control of water level via level control



Control of filter pump



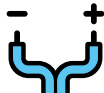
Control of solar panel system



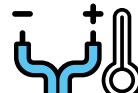
Pool lighting control



Integration of weather interface



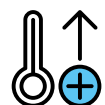
Additional connection options for analogue sensors



Additional connection options for up to 12 temperature sensors



Eco mode



Control of heating, heat pump or heat exchanger

Technical data

BADU Blue

Operating voltage	1~ 230 V, 50/60 Hz
Fuse for circuit board/relay	1A delay/400mA relay/630 mA relay light
Max. permissible load current	250 V/4 A

For more detailed information regarding the device protection please see page 147.

Technical data may vary.

Article no	Description	Net RPR	Gross RPR ⁷⁾
271.6500.500	BADU Blue	4,850.00 €	5,771.50 €

BADU® Blue Pro

The smart complete pool control system for carefree swimming fun.
With integrated measuring and control technology for private swimming pools.

Field of application

BADU Blue Pro is a pool control system which is integrated in the network. It has been developed as a system that can be adapted to many different pool installations and a variety of technical equipment.

Designed for private pools up to a maximum of 250 m³, for a variety of other water care options, as well as for hotel swimming pools.

Mode of operation

Parameters that are recorded, evaluated and appropriately regulated can all be displayed and modified using a web app on a smartphone, tablet or PC. There is also the option for the pool builder to administer the control system via a backend.

Scope of delivery

- 1x BADU Blue Pro terminal box, mounted on a mounting board, wired.
- 1x pH glass electrode
- 1x Redox glass electrode
- 1x Adhesive set for injection points and sample water
- 1x Buffer solution set
- 2x PE hose 3 m, ø 6 mm, white
- 1x Teflon tape, 12 mm wide
- 1x Interference snubber, wired, 250V AC
- 3x Accessories / small parts for dosing groups
- 1x Installation instructions

Features

- > Redox measurement.
- > Ph measurement.
- > Free chlorine measurement.
- > Control of variable speed and unregulated filter pumps.
- > Optional filter pressure and/or circulation monitoring.
- > Control of heating/heat pump/heat exchanger.
- > Control of the suction via floor drain (ECO) and overflow gutter / skimmer.
- > Active winterising / frost protection.
- > Solar panel forced flushing.
- > Solar panel priority circuit.
- > Backwash control via actuator or rod valve possible.
- > Water level control for skimmer and overflow tank possible.
- > Safety switch-off / monitoring of the water refilling.
- > Connection of additional analogue sensors with display on the dashboard.
- > PV surplus control.
- > Temperature control with up to 12 sensors.
- > Connection of 4 suction lances for water care products.
- > Integration of the weather interface.
- > Software updates through independent installation.
- > Optional, free remote access via cloud server.
- > Configuration wizard.
- > User notification by email, push notifications.
- > Simple integration of the measured values into home automation systems (JSON-API).
- > Inline assistant for direct access to the operating instructions.
- > Customisable user interface.
- > Free chlorine.
- > Salt water electrolysis integration possible.
- > Flocculant dosing.
- > Control of attractions.
- > Control of the pool cover.
- > Support interface.



Features of the BADU Blue Pro



Control of water disinfection (Redox, free chlorine, salt water electrolysis integration possible)



Pool cover control



Control of pool attractions



Flocculant dosing



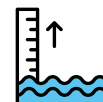
Control of pH value (pH plus or pH minus; optionally both)



Backwash control



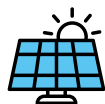
Alarm and notifications (by email or mobile push)



Control of water level via level control



Control of filter pump



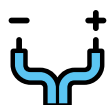
Control of solar panel system



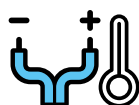
Pool lighting control



Integration of weather interface



Additional connection options for analogue sensors



Additional connection options for up to 12 temperature sensors



Eco mode



Control of heating, heat pump or heat exchanger

Technical data

BADU Blue Pro

Operating voltage

1~ 230 V, 50/60 Hz

Fuse for circuit board/relay

1A delay/400mA relay/630 mA relay light

Max. permissible load current

250 V/4 A

For more detailed information regarding the device protection please see page 147.

Technical data may vary.

Article no	Description	Net RPR	Gross RPR ⁷⁾
271.6500.501	BADU Blue Pro	6,480.00 €	7,711.20 €

BADU® Blue / Blue Pro Accessories

The smart complete pool control system for carefree swimming fun.
Designed for private pools and hotel swimming pools.

Article no	Description	Net RRP	Gross RRP ⁷⁾
271.6500.513	1-Wire Sensor DS18B20, 6x50 mm, 3 m	9.20 €	10.95 €
271.6500.514	1-Wire Sensor DS18B20, 6x50 mm, 5 m	12.25 €	14.58 €
271.6500.515	1-Wire Sensor DS18B20, 6x50 mm, 10 m	18.02 €	21.44 €
271.6500.517	Pressure transmitter FST800-211	157.13 €	186.98 €
271.6500.518	Level sensor FST700-101	260.60 €	310.11 €
271.6500.571	Additional terminal box 3~ 1.1 - 1.6 A BADU Blue	314.30 €	374.02 €
271.6500.572	Additional terminal box 3~ 1.4 - 2.0 A BADU Blue	296.99 €	353.42 €
271.6500.573	Additional terminal box 3~ 1.8 - 2.5 A BADU Blue	322.65 €	383.95 €
271.6500.574	Additional terminal box 3~ 2.2 - 3.2 A BADU Blue	304.20 €	362.00 €
271.6500.575	Additional terminal box 3~ 2.8 - 4.0 A BADU Blue	294.65 €	350.63 €
271.6500.576	Additional terminal box 3~ 3.5 - 5.0 A BADU Blue	318.55 €	379.07 €
271.6500.583	Additional terminal box 1~ 1.8 - 2.5 A BADU Blue	315.12 €	374.99 €
271.6500.584	Additional terminal box 1~ 2.2 - 3.2 A BADU Blue	296.67 €	353.04 €
271.6500.585	Additional terminal box 1~ 2.8 - 4.0 A BADU Blue	287.12 €	341.67 €
271.6500.586	Additional terminal box 1~ 3.5 - 5.0 A BADU Blue	311.03 €	370.13 €
271.6500.525	BADU Blue potentiostat module	164.23 €	195.43 €
271.6500.552	BADU Blue relay expansion	280.06 €	333.27 €
271.6500.534	pH glass electrode, BNC connector with 1m cable	175.50 €	208.85 €
271.6500.535	Redox plastic electrode, gold, BNC connector with 1 m cable	113.10 €	134.59 €
271.6500.536	Redox glass electrode, platinum, BNC connector with 1 m cable	191.10 €	227.41 €
271.6500.537	Potentiostatic chlorine electrode, 1.5m cable	409.50 €	487.31 €
271.6500.512	Measuring cell expansion kit	274.01 €	326.07 €
271.6500.554	Buffer solution set, BADU Blue	56.00 €	66.64 €
271.6500.555	Dosing pump, BADU Blue	221.40 €	263.47 €
271.6500.556	Set for injection point and sample water, BADU Blue	111.07 €	132.17 €
260.6100.041	BADU Omni actuator with R 41/3 A	784.00 €	932.96 €
260.6100.051	BADU Omni actuator with R 51/3 A	795.00 €	946.05 €
260.6402.119	PVC holder temp.+adhesive drill flange, OmniTronic	21.72 €	25.85 €
271.6500.590	PE hose, ø 6 mm, white, 3 m	3.86 €	4.59 €
271.6500.591	PE hose, ø 6 mm, white, 5 m	4.91 €	5.84 €
271.6500.592	PE hose, ø 6 mm, white, 10 m	7.49 €	8.91 €
260.6402.161	Conductive sensor pins 7.5 m OmniTronic	74.12 €	88.20 €
260.6402.171	Conductive sensor pins 25 m OmniTronic	90.82 €	108.08 €
260.6402.185	Conductive sensor pins 40 m OmniTronic	95.65 €	113.82 €
271.6500.539	Snubber, wired, 250V AC	3.74 €	4.45 €
260.6402.157	Option: Battery pack+converter, OmniTronic	283.92 €	337.86 €
271.6070.003	Magnetic valve, separate, 230 V, Rp ½, IP 65	118.96 €	141.56 €
271.6090.005	Level switch, BNR 402, with 10 m cable	87.98 €	104.70 €
250.0014.050	Ball valve LH II 50, solar actuator 1~ 230V	456.86 €	543.66 €
250.0014.063	Ball valve LH II 63, solar actuator 1~ 230V	725.03 €	862.79 €
271.6500.532	Filter with screen, 6 mm tube	16.54 €	19.68 €
271.6500.545	Peristaltic hose for hose pump	25.78 €	30.68 €
271.6500.546	Injection valve for hose pump, BADU Blue	46.80 €	55.69 €
271.6500.547	Aspiration hose, 4x6, 2 m, for dosing pump	3.51 €	4.18 €
271.6500.548	Pressure hose, 4x6, 2 m, for dosing pump	3.39 €	4.03 €
271.6500.549	Foot valve with counterweight for dosage pump	57.92 €	68.92 €
271.6500.516	Water flow sensor YF-S402B	19.73 €	23.48 €
271.6500.527	Water flow sensor cable, 3 m, black	7.02 €	8.35 €



BADU Blue control system in RESPONSIVE Design. You can control your pool from anywhere at any time.



BADU Blue and BADU Blue Pro can be easily controlled via the web, mobile devices or the PC. This means you have access to your pool at all times and can manage it conveniently from anywhere, whether you're enjoying a relaxing evening in your garden or travelling on the other side of the world. The all-in-one pool controls are simple and easy to use, for maximum pool enjoyment with minimum effort. In addition to remote monitoring, you also have the option of remote maintenance support from your pool builder. For carefree pool enjoyment, also thanks to servers located in Germany.

Upgrade kits:

BADU Blue can be upgraded to BADU Blue Pro at any time, to receive the following additional options:

- > Free chlorine measurement.
- > Flocculant dosing.
- > Pool cover control.
- > Additional 8 relay outputs.

- > Use of switching rules (time, temperature and analogue controlled).
- > Use of 7 digital inputs for controlling external relays.
- > Connection of 3 LED piezo buttons in conjunction with digital inputs.

Article no	Upgrading BADU Blue to BADU Blue Pro	Net RRP	Gross RRP ⁷⁾
271.6500.552	Relay expansion, BADU Blue	280.06 €	333.27 €
271.6500.525	BADU Blue potentiostat module	164.23 €	195.43 €
271.6500.555	Dosing pump, BADU Blue	221.40 €	263.47 €
271.6500.512	Measuring cell expansion kit	274.01 €	326.07 €
271.6500.537	Potentiostatic chlorine electrode, 1.5 m	409.50 €	487.31 €

Article no	Chlorine retrofitting	Net RRP	Gross RRP ⁷⁾
271.6500.525	BADU Blue potentiostat module	164.23 €	195.43 €
271.6500.512	Measuring cell expansion kit	274.01 €	326.07 €
271.6500.537	Potentiostatic chlorine electrode, 1.5 m	409.50 €	487.31 €

Article no	Salt water electrolysis retrofitting	Net RRP	Gross RRP ⁷⁾
271.6500.552	Relay expansion, BADU Blue	280.06 €	333.27 €
271.6500.512	Measuring cell expansion kit	274.01 €	326.07 €

Article no	Flocculation retrofitting	Net RRP	Gross RRP ⁷⁾
271.6500.552	Relay expansion, BADU Blue	280.06 €	333.27 €
271.6500.555	Dosing pump, BADU Blue	221.40 €	263.47 €

BADU[®] Omni actuator

6-way valve actuator.

For the execution of backwash and rinse procedures.

Field of application

Depending on the size and load, filter units have to be backwashed on a regular basis in order to wash away debris that has been filtered in. The BADU Omni actuator control valve is a reliable and time-saving alternative to manual backwash valves in order to move the valve to one of the 6 positions.

Mode of operation

An external control or other remote switch can specify which position the BADU Omni actuator should move its valve insert to.

Seeing as the external control can only turn the filter pump on when the BADU Omni actuator has reached one of the 6 positions, the usual z1-z2 enabling contact can be used to stop the pump.

The external control can specify the position selection either via the potential-free inputs or the BADU Omni actuator's 230 V inputs.

Performance features

All six valve positions can be accessed.

NB

You will find the automatic backwash unit BADU OmniTronic on page 128.

Technical data	BADU	Omni actuator
Operating voltage		1~ 230 V, 50/60 Hz
Fuse		315 mA delay
Operating pressure		max. 2 bar
Net weight (kg)		4.00

For more detailed information regarding the motor protection please see page 147.

Technical data may vary.

Article no	Description	Net RPR	Gross RPR ⁷⁾
260.6100.041	BADU Omni actuator with R 41/3 A	784.00 €	932.96 €
260.6100.051	BADU Omni actuator with R 51/3 A	795.00 €	946.05 €
240.9102.063	Special non-return valve d 63	169.97 €	202.26 €



^
Delivery
with BADU Mat R 41/3 A
or BADU Mat R 51/3 A

Product details

Switching function

- > On/Off rocker switch.
- > If no digital input is engaged, the BADU Omni actuator will move to the "filter" position.
- > With 5 inputs to be connected with potential-free contacts, the valve can move to one of 6 possible target positions.

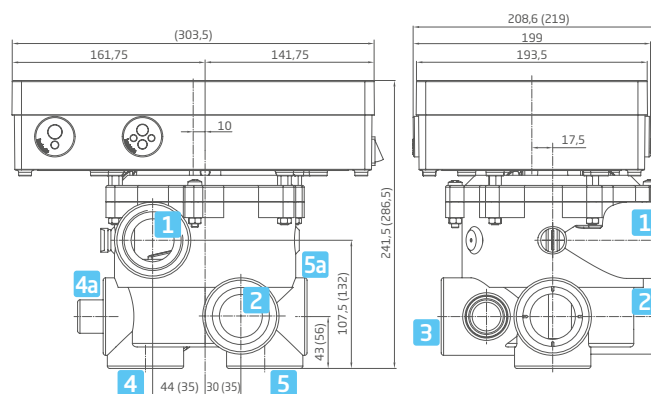
Alternatively, three 230 V inputs can be used for the target positions "Backwash", "Rinse" and "Drain".

Installation tip

Do not install lower than 3 m below water level.
Lead the sewage pipe above the water level in a loop.
In case this is not feasible, install a spring-loaded non-return valve in the sewage pipe.
Too large temperature differences (>20 K) between the environment and the pumped medium lead to condensation.

NB: constant power supply required.

Dimensions



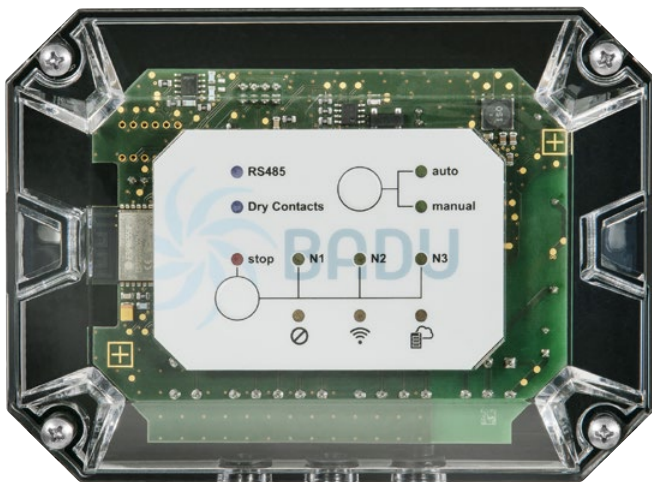
The measurements in brackets are for BADU OmniTronic with BADU Mat R 51/3 A.
Detailed dimensions available on request.

1 Pump
2 Pool
3 Sewage

4 / 4a to the filter
5 / 5a from the filter

BADU® NetLink

Smart controller for variable speed pumps of the BADU Green range.



^ Compatible with the BADU Connect app: baduconnect.com



^ Installation example

Field of application

Filter pump regulation for remote and hard to reach engineering rooms. It regulates the filter times fully automatically whilst you relax and enjoy ideal water quality.

Performance characteristics

- > Selection of automatic or manual operating mode and the speed level by using the buttons of the device.
- > Display of actual motor speed.
- > Convenient regulation via WLAN when using the free „BADU connect“ app.
- > Multilingual menu.
- > Several switch times per day with different speed levels are possible.

- > Connection for BADU Green pumps with potential-free inputs or RS 485 interface.
- > Connection of water sensor for leakage detection via PUSH notification.

Design

- > Electronic control unit with modern clamp connection technology.
- > Water sensor (optionally available).

Wi-Fi connection

- > IEEE 802.11, 2.4 GHz, b/g/n
- > Indoor antenna, free range of 25 m
- > Data throughput 150 Mbps

Article no	Description	Voltage	Net RRP	Gross RRP ⁷⁾
271.6700.000	BADU NetLink	1~ 230 V, 50/60 Hz	210.00 €	249.90 €
271.6605.018	Water detector		27.24 €	32.42 €

For more detailed information regarding device protection please see page 147.

LOAD THE APP HERE











Water level, fountain and splash water control. With conductivity sensor.

Field of application

For observation of the pool water level including the safety features, and also for water level regulation of various tanks. Splash water control is also possible.

Design

- > Electronic control unit with modern clamp connection technology.
- > Adhesive holders.
- > Conductivity sensors, as water level detector.
- > Magnetic valve Rp ½ (at an additional cost).
- > Suspended electrodes and additional components for splash water control (at an additional cost).

Function

The BADU BNR 402 is a fully automatic level control system and can be used for up to three pools/tanks. Under operating mode, the device can be used as a splash water control. If the splash water control is selected, four electrodes with the corresponding cable length as well as the additional components are required at an additional cost, in addition to the BADU BNR 402 with magnetic valve.



Convenient first filling mode eliminates the waiting time during fill-up at first-time installation. In addition, a BADU Eco VS pump can be connected with the control cable. The BADU Eco VS pump can also be set as an attraction pump for fountains, switching the motor speed of the pump at random.

Technical data at 50 Hz	BADU BNR 402
Rated voltage	1~ 230 V, 50/60 Hz
Relay switching capacity	2.0 or 4.0 A at 1~ 230 V
Cable cross section	2 x 0.5 mm ²

For more detailed information regarding device protection please see page 147.

Technical data may vary.

Artikel-Nr.	Typ	Spannung	UVP netto	UVP brutto ⁷⁾
271.6607.205	BADU BNR 402 with sensor, cable length 7.5 m without magnetic valve	1~ 230 V	516.98 €	615.21 €
271.6607.225	BADU BNR 402 with sensor, cable length 25 m without magnetic valve	1~ 230 V	571.97 €	680.64 €
271.6607.200	BADU BNR 402 without sensor, without magnetic valve	1~ 230 V	452.00 €	537.88 €
271.6607.201	BADU BNR 402 without sensor, with magnetic valve	1~ 230 V	548.96 €	653.26 €
271.6607.206	BADU BNR 402 with sensor, cable length 7.5 m with magnetic valve	1~ 230 V	613.94 €	730.59 €
271.6607.226	BADU BNR 402 with sensor, cable length 25 m with magnetic valve	1~ 230 V	667.94 €	794.85 €
260.6402.161	Conductivity sensor, 7.5 m		74.12 €	88.20 €
260.6402.171	Conductivity sensor, 25 m		90.82 €	108.08 €
260.6402.185	Conductivity sensor, 40 m		95.65 €	113.82 €
271.6070.003	Magnetic valve Rp ½, separate		118.96 €	141.56 €
510.0060.005	Suspended electrode, 5 m cable, 1 piece *)		64.68 €	76.97 €
510.0060.020	Suspended electrode, 20 m cable, 1 piece *)		85.68 €	101.96 €
510.0060.045	Suspended electrode, 45 m cable, 1 piece *)		120.82 €	143.78 €
271.6607.302	Additional components for operating mode splash water control		60.60 €	72.11 €

*) Four pieces are required for the splash water control. Other lengths are available!

BADU® FlowSonic / FlowSonic+

Flow measurement via ultrasound.

Field of application

The ultrasonic flow meters are ideally suited for measuring the volume flow. Thanks to ultrasonic measurement, they offer a precise, loss-free and calibration-free possibility to measure the volume flow. With a measuring range of 0-54 m³/h they can be used for pool water with a salt concentration of up to 3 % and are therefore particularly suitable for monitoring and displaying the flow in pool systems. Variable speed pumps can be adjusted to the required flow rate.

The FlowSonic+ can be used as a stand-alone solution and enables manual evaluation and customised adjustment of the flow rate. Settings for the FlowSonic+ are also possible via the SmartCONNECT app. This makes it flexible to use and expands the areas of application.

The FlowSonic communicates directly with the BADU Blue and BADU Blue Pro and other pool control solutions that can process a digital signal (pulse signal) and an analogue signal 4-20 mA.

Materials used

Housing	PA 66 GF 25
Measuring section	PP
Transducer	PEEK
Elastomers (process connection)	NBR
Elastomers (transducer)	EPDM

Technical data	BADU FlowSonic	BADU FlowSonic+
Power supply	DC 24 V SELV	DC 24 V SELV
Power Consumption	50 mA, 300 mA with digital output	50 mA, 300 mA with digital output
Power Input	Max. 10 W	Max. 10 W
Nominal pressure rating	PN 10	PN 10
Measuring range	54 m³/h	54 m³/h
Nominal diameter	DN 50	DN 50
Analogue output signal	4-20 mA	4-20 mA
Digital output signal	Pulse (667/l)	Pulse (667/l)
Medium temperature	0-45 °C	0-45 °C

For more detailed information regarding the motor protection please see page 147.

Technical data may vary.

Article no	Description	Net RRP	Gross RRP ⁷⁾
271.6510.002	BADU FlowSonic	479.00 €	570.00 €
271.6520.002	BADU FlowSonic+	579.00 €	689.00 €



FlowSonic >



FlowSonic+ >



BADU® Eco Star

Self-priming, complete filter unit with no backwashing.
For crystal clear fun in the pool.

Field of application

Swimming pool water filtration in private pools, can be installed max. 3 m above or below water level.

This filter unit doesn't require a waste water connection since backwashing is not necessary.

It is therefore very environmentally friendly. Up to 80 m³ pool volume, depending on the area of application and usage.

Mode of operation

The BADU Eco Star complete filter unit is self-priming. It pumps pool water from the pool, via the front-end strainer basket (for leaves etc.) and forces it through the fine mesh filter cartridges (approx. 50 µm) in order to return it to the pool crystal clear. The pressure gauge indicates the degree of contamination in the filter cartridges. They can be cleaned by hosing them down or simply by putting them into any household washing machine at 30 °C. Do not spin.

Design

Cartridge filter with strainer tank, transparent lid and pressure gauge in one compact unit, ready for connection. Motor/pump shaft has no contact with the pool water providing complete electrical separation.

Materials used

Parts in contact with water PP GF 30
Screws stainless steel 1.4301
Filter cartridge synthetic fibre mesh, approx. 50 µm
Cartridge pipe PVC
Transparent lid SAN, transparent

Technical data at 50 Hz	BADU Eco Star	12	24
Inlet Sa/outlet connection Da Rp ²⁾		1½/1½	1½/1½
Rec. Inlet/output pipe, d ⁴⁾		50/50	50/50
Flow rate (m ³ /h) ¹⁾		13	13
Number of filter cartridges		12	24
Filtration area (m ²)		7	14
Filtration (m/h)		1,60	0,93
Power input P ₁ /output P ₂ ¹⁾ (kW)	1~230 V	0.05-0.63/0.03-0.50	0.05-0.63/0.03-0.50
Rated Current (A)	1~230V	0.25-2.90	0.25-2.90

For more detailed information regarding the motor protection please see page 147.

*) With clean filter and no resistance on site.

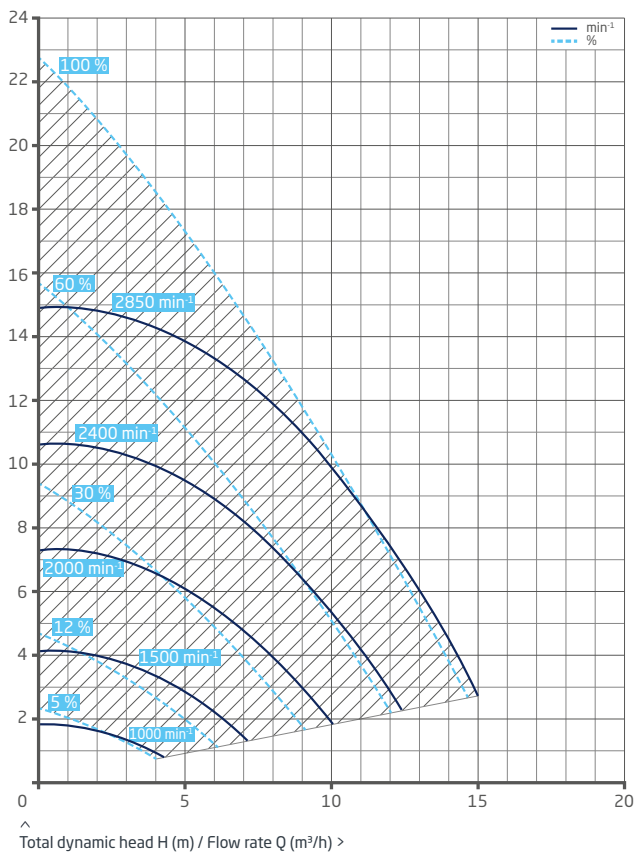
Article no	Description	Voltage	Power output P ₂	Net RRP	Gross RRP ²⁾
220.1300.010	BADU Eco Star 12	1~230 V	0.30 kW	2,117.44 €	2,519.75 €
220.2300.010	BADU Eco Star 24	1~230 V	0.45 kW	2,566.33 €	3,053.93 €



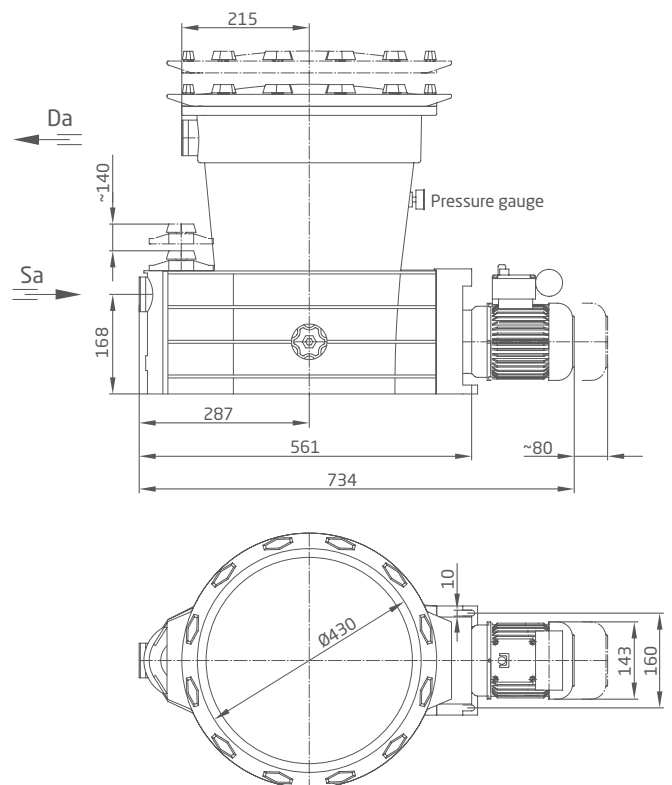
12 filter cartridges

24 filter cartridges

Performance



Dimensions



BADU[®] Eco Drive II

It's all go. Compact frequency converter for optimal working conditions.

Field of application

There are various operating conditions in pool water treatment, for example filtering, pool water circulation, backwashing and rinsing. Depending on pipe friction loss and filter speed, different operating points have to be set. This can be ensured conveniently by controlling the pump's operating points via a frequency converter. Therefore the pump's motor speed is electronically adjusted as necessary.

The BADU Eco Drive II frequency converters are ideally suited for use with the BADU Prime 25 - BADU Prime 48, BADU Resort and BADU 93.

Performance characteristics

- > Wide range of control options: direct control, digital inputs to approach fixed speeds, 0-10V or 4-20mA
- > Various relay input functions and relay output functions.
- > Unnecessary energy loss is avoided
- > Pumps are always run at optimal and most economic operating point.
- > Maximum energy saving potential through adjustable flow rate

Technical data at 50 Hz	BADU Eco Drive II	0.75 kW	1.50 kW	2.20 kW	4.00 kW	5.50 kW
Frequency		50-60 Hz	50-60 Hz	50-60 Hz	50-60 Hz	50-60 Hz
Voltage		3~ 380-480 V	3~ 380-480 V	3~ 380-480 V	3~ 380-480 V	3~ 380-480 V
Analogue input		0-10 V/4-20 mA	0-10 V/4-20 mA	0-10 V/4-20 mA	0-10 V/4-20 mA	0-10 V/4-20 mA
Cooling		ventilation	ventilation	ventilation	ventilation	ventilation
Max. ambient temperature		50 °C	50 °C	50 °C	50 °C	50 °C

For more detailed information regarding device protection please see page 147

Technical data may vary.

Article no	Description	Voltage	Net RRP	Gross RRP ⁷⁾
297.0075.412	Frequency converter BADU Eco Drive II for 0.75 kW	3~ 380-480 V	1,189.40 €	1,415.39 €
297.0150.412	Frequency converter BADU Eco Drive II for 1.50 kW	3~ 380-480 V	1,381.31 €	1,643.76 €
297.0220.412	Frequency converter BADU Eco Drive II for 2.20 kW	3~ 380-480 V	1,573.23 €	1,872.14 €
297.0400.412	Frequency converter BADU Eco Drive II for 4.00 kW	3~ 380-480 V	2,041.16 €	2,428.98 €
297.0550.412	Frequency converter BADU Eco Drive II for 5.50 kW	3~ 380-480 V	2,575.43 €	3,064.76 €
297.0000.001	Programming flat rate BADU Eco Drive II		80.17 €	95.40 €

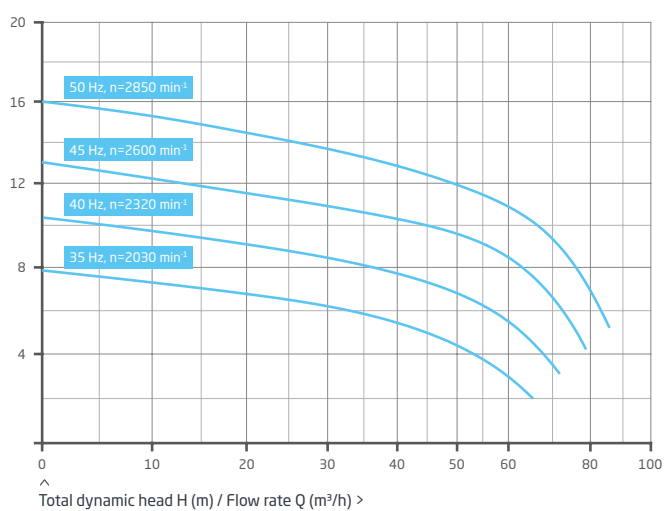
Further capacities on request.



Graphic display >



Performance



Characteristics calculated for the BADU Resort 70 at different frequencies.

Special on-site requirements

- > Protected cable between motor and frequency converter.
- > We recommend providing a PTC thermistor sensor for the motor winding.
- > We recommend not running the motor below 30 Hz.
- > Residual current circuit breaker (type B).

Universal automatic backwash unit for almost every application.
Simple and flexible operation.

Field of application

Depending on the size and load, filter units have to be backwashed on a regular basis in order to wash away debris that has been filtered in. The BADU OmniTronic electronic backwash device is a reliable and time-saving alternative to manual backwash valves.

Mode of operation

A digital timer starts the backwash procedure automatically according to the settings of the interval or time controlled programme. Filter time settings can also be specified. An automatic level control is integrated and can be used with an optionally available level sensor and magnetic valve. A battery pack prevents the pool from emptying in the event of a power failure.

Performance features

- > The new and larger control box of the BADU OmniTronic provides more space for additional sub-assemblies.
- > Mounting rail (15 mm) for modules.
- > BADU GREEN pumps, such as the BADU Delta Eco VS can be connected directly to the backwash device with a potential free cable.
- > Level control with optional sensor
- > Various inputs and outputs with additional functions, e.g. pressure switch trigger and remote control.
- > Operation in combination with a dosage control system possible.

Technical data	BADU OmniTronic
Operating voltage	1~ 230 V, 50 Hz
Connection value (motor capacity P ₁)	max. 1.00 kW
Fuse, for electronics/pump	315 mA delay/4 A delay
Max. permissible load current	250 V/4 A
Operating pressure	max. 2 bar

For more detailed information regarding the device protection please see page 147

Technical data may vary.

Article no	Description	Connections	Voltage	Net RPR	Gross RPR ^{*)}
260.6000.041	BADU OmniTronic with BADU Mat R 41/3 A	Rp 1½	1~ 230 V	947.74 €	1.127.81 €
260.6000.051	BADU OmniTronic with BADU Mat R 51/3 A	Rp 2	1~ 230 V	978.70 €	1.164.65 €
260.6402.087	Pressure transducer +0.50..+1.50 bar, incl. assembly accessories			119.39 €	142.07 €
260.6402.088	Pressure transducer +0.25..+1.00 bar, incl. assembly accessories			119.39 €	142.07 €
260.6402.204	Accessory: Control of floor drain			66.15 €	78.72 €
260.6402.205	Accessory: Control of single phase pumps up to a maximum of 6.40 A.			175.59 €	208.95 €
260.6402.206	Accessory: Control of three-phase pumps with 1.00 A **)			220.33 €	262.19 €
240.9102.063	Special non-return valve*) d 63			169.97 €	202.26 €
260.6402.117	Temperature sensor with 5m cable and PVC mount			82.28 €	97.91 €
260.6402.118	Temperature sensor with 15m cable and PVC mount			106.98 €	127.31 €
260.6402.161	Conductivity sensor, 7.5m, as level detector			74.12 €	88.20 €
260.6402.171	Conductivity sensor, 25m, as level detector			90.82 €	108.08 €
260.6402.157	Battery pack with capacitor			283.92 €	337.86 €
260.6402.244	OmniTronic Power switch for photovoltaics			163.69 €	194.79 €

*) For sewage pipes when the BADU OmniTronic is installed below the water level.

**) Further accessories for three-phase pumps with other current consumptions available on request.



Level control



Filter control



Attraction connection



Solar



Pressure dependent backwash



Heating



Active frost protection system

Product details

Switching functions

- > Automatic backwash and filtering.
- > Backwash and rinse cycles can be started automatically, manually or externally and set individually.
- > BADU Green pumps can be connected directly.
- > Magnetic valve can be controlled optionally (level control).
- > Can be used optionally as a temperature and level control.

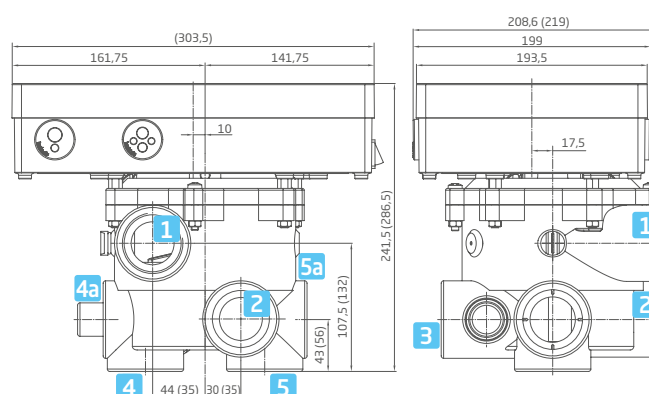
Optional additional modules

- > For direct connection of single-phase pumps via a contactor e.g. BADU Prime 7 to BADU Prime 20.
- > For direct connection of three-phase pumps via three-phase protection and a contactor e.g. BADU Prime 7 to BADU Prime 25.
- > Insert option for a circuit board that controls the floor drain.

Installation tip

Do not install lower than 3 m below water level. Lead the sewage pipe above the water level in a loop. In case this is not feasible, install a spring-loaded non-return valve in the sewage pipe. Too large temperature differences (> 20 K) between the environment and the pumped medium lead to condensation.

Dimensions



The measurements in brackets are for BADU OmniTronic with BADU Mat R 51/3 A. Detailed dimensions available on request.

- 1 Pump
- 2 Pool
- 3 Sewage
- 4 / 4a to the filter
- 5 / 5a from the filter

BADU® Mat R 41 / Mat R 51

The robust allrounder keeps everything under control.
Manual 6-way multiport valve as a sidemount valve.

Field of application

Depending on the size and load, filter units have to be backwashed on a regular basis in order to wash away debris that has been filtered in.

Mode of operation

The valve regulates the flow of water and reverses it according to the chosen settings. Therefore the water flows back through the filter container and starts the backwashing process. These and other functions can be set easily and clearly on the BADU Mat using the handle. After backwashing, fresh water must be fed into the system in order to re-establish the original water level. This is best done automatically with the BNR 402, see page 121.

Designs

- > **BADU Mat R 41/3 A / BADU Mat R 51/3 A**
All connections open, with two sealing plugs.
- > **BADU Mat R 41/3 G / BADU Mat R 51/3 G**
Threaded connections.

- > **BADU Mat R 41/3 K / BADU Mat R 51/3 K**
Glue connections.
- > **BADU Mat R 41/3 GK / BADU Mat R 51/3 GK**
Connections 2 + 3 = G.
Connections 1 + 4a + 5 = K.

Materials used

All parts which come into contact with water are made from corrosion resistant plastic, ABS or stainless steel.

Operating data

Water temperature max. 40 °C
Interior housing pressure max. 2.5 bar

Due to optimal water flow there is minimal flow noise and flow loss. See flow characteristics on page 131.

Performance characteristic

The gasket is in the upper part of the valve.
This makes it easier to replace if it becomes worn.

Article no	Description	Connections	Net RPR	Gross RPR ²⁾
263.5000.000	BADU Mat R 41/3 GK	Rp 1½/d 50	135.96 €	161.79 €
263.3300.000	BADU Mat R 41/3 G	Rp 1½	135.96 €	161.79 €
263.3700.000	BADU Mat R 41/3 A	Rp 1½, with two R 1½ sealing plugs	149.96 €	178.45 €
263.3600.000	BADU Mat R 41/3 K	d 50	135.96 €	161.79 €
264.5000.000	BADU Mat R 51/3 GK	Rp 2/d 63	179.95 €	214.14 €
264.3300.000	BADU Mat R 51/3 G	Rp 2	179.95 €	214.14 €
264.3700.000	BADU Mat R 51/3 A	Rp 2, with two R 2 sealing plugs	191.94 €	228.41 €
264.3600.000	BADU Mat R 51/3 K	d 63	179.95 €	214.14 €

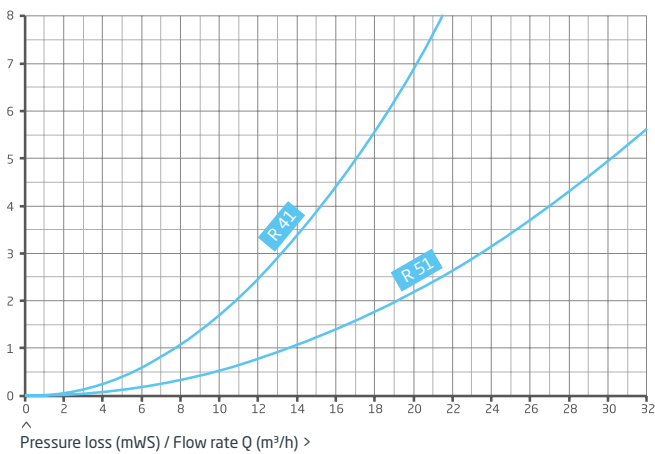


^ BADU Mat R 41

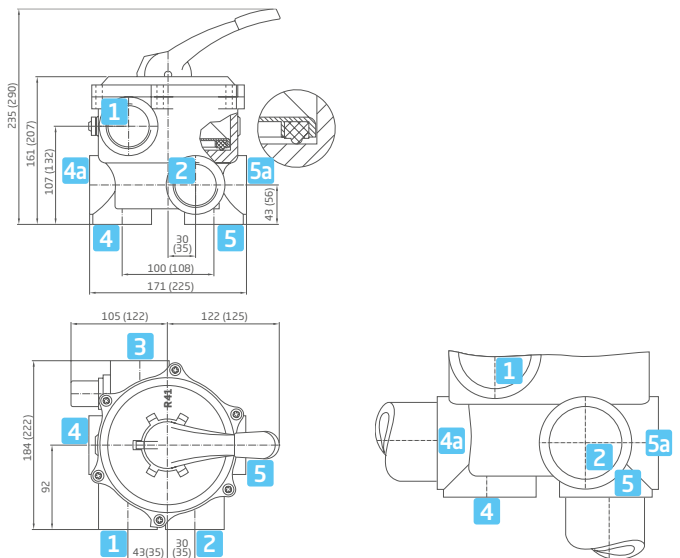


^ BADU Mat R 51

Flow rate curve



Measurements



^ BADU Mat R 41/BADU Mat R 51

^ Version 3

The measurements in brackets are for BADU Mat R 51.
Detailed dimensions available on request.

- 1 Pump
- 2 Pool
- 3 Sewage

- 4 / 4a to the filter
- 5 / 5a from the filter

Products not listed in the catalogue can be found on our website at [badu.de](https://www.badu.de)



BADU® Added value

We live for the pool experience.

We offer accessories - for pumps and counter swim units, to supplement or replace - in BADU Premium quality, so that BADU technologies and solutions can make you completely happy. It's often the small things that make a big difference. The difference is BADU.

BADU® Counter swim units



BADU JET Wireless Control II

Waterproof remote control for all BADU JET submerged counter swim units. For control of the BADU JET unit and integrated LED lights. Upgrades are also available for further functions for the pool unit such as light control, roll-up cover etc.



Massage hose

1.50 m long, connection coupling and massage nozzle, completely assembled. For 28 mm or 40 mm nozzle. Ø 28 mm is only for use with the BADU JET Active / Active V2 overhang unit. Fits all counter swim unit jet nozzles.



Massage hose with pulsator

1.50 m long, connection coupling and pulsating massage nozzle (pulsator) attached. For 28 mm or 40 mm nozzle. Fits all counter swim unit jet nozzles.



Massage attachments for pulsator, pinpoint massage nozzle & blind cap

To be plugged directly into the jet nozzle, without a massage hose. The blind cap is included in delivery for units with two nozzles.



Winter panel kit for BADU JET Primavera

Protects the main housing from dirt and leaves and prevents water from penetrating through the housing into the mechanics shaft when shutting down the system for winter. Also allows a higher water level and thus saves adding water in spring.

Article no	Description	Net RPR	Gross RPR ^{*)}
232.0000.503	BADU JET wireless control II, cpl., 4 channel, IP 65	478.86 €	569.84 €
232.0000.507	BADU JET wireless control II, cpl., 2 channel, IP 20*)	363.57 €	432.65 €
230.0001.000	Massage hose for large nozzle, Ø 40 mm	99.96 €	118.95 €
230.0002.000	Massage hose for small nozzle, Ø 28 mm	99.96 €	118.95 €
230.0003.000	Massage hose with large pulsating massage nozzle, Ø 40 mm	239.93 €	285.52 €
230.0004.000	Massage hose with small pulsating massage nozzle, Ø 28 mm	239.93 €	285.52 €
230.0005.000	Pulsator for large nozzle, Ø 40 mm	188.93 €	224.83 €
230.0006.000	Pulsator for small nozzle, Ø 28 mm	188.93 €	224.83 €
230.0007.000	Large pinpoint massage nozzle, Ø 40 mm	32.69 €	38.90 €
230.0008.000	Small pinpoint massage nozzle, Ø 28 mm	32.69 €	38.90 €
230.0022.000	Blind cap for large nozzle, Ø 40 mm	32.69 €	38.90 €
230.0023.000	Blind cap for small nozzle, Ø 28 mm	32.69 €	38.90 €
230.0100.021	Winter panel kit for BADU JET Vogue, BADU JET Vogue Deluxe	127.46 €	151.68 €
232.6000.418	Winter panel kit for BADU JET Primavera, BADU JET Primavera Deluxe	176.22 €	209.70 €

*) Receiver without housing

Please indicate whether massage hoses and attachments are for Ø 28 mm or Ø 40 mm nozzles.

BADU® Filter cartridge



Field of application

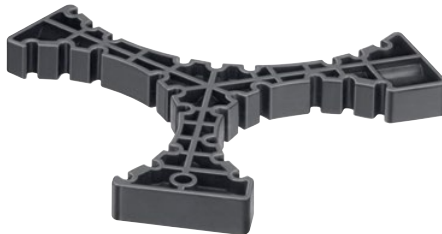
Polystar long life filter cartridge for use with BADU Eco Star and BADU Quick

Artikel-Nr.	Description	Net RPR	Gross RPR ⁷⁾
227.4500.050	Polystar long life filter cartridge approx. 50 µm, length 248 mm	14.99 €	17.84 €

BADU® Opening devices



Universal opening device



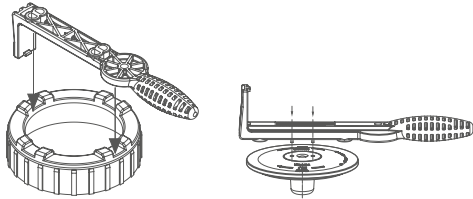
Three-way opening device



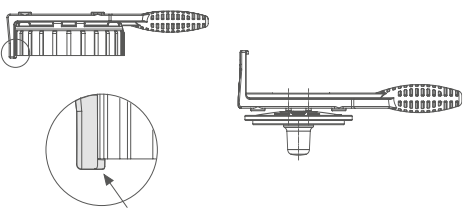
Sickel opening device

Usage

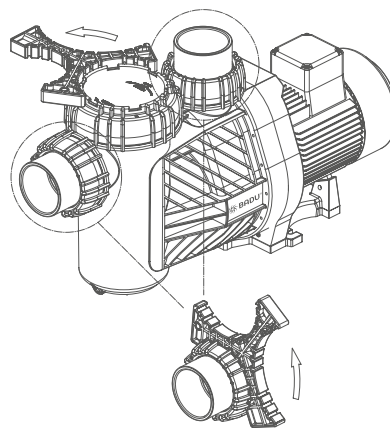
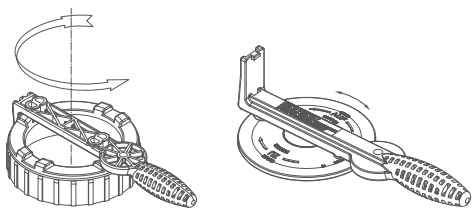
Step 1



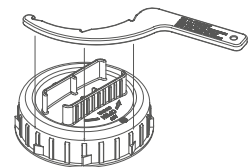
Step 2



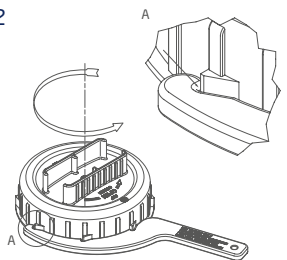
Step 3



Step 1



Step 2



Article no	Description	Net RPR	Gross RPR ⁷⁾
292.1157.700	Universal opening device	6.43 €	7.65 €
292.1157.701	Universal opening device for LED lid	11.54 €	13.73 €
290.2099.800	Three-way opening device	17.19 €	20.46 €
292.1199.800	Sickel opening device	3.51 €	4.18 €

BADU® Plastic strainer tank



Field of application

For pool water circulation pumps with a capacity of max. 56 m³/h, at 60 °C, 2.5 bar.

Design

Strainer tank capacity approx. 8 l
 Strainer basket mesh size approx. 3.4 x 3.2 mm
 Intake and pump connection.

Materials used

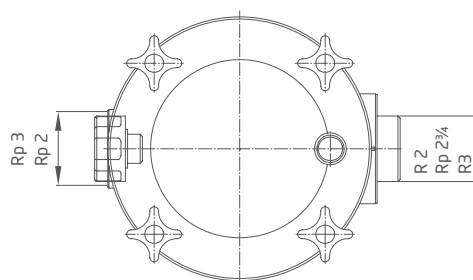
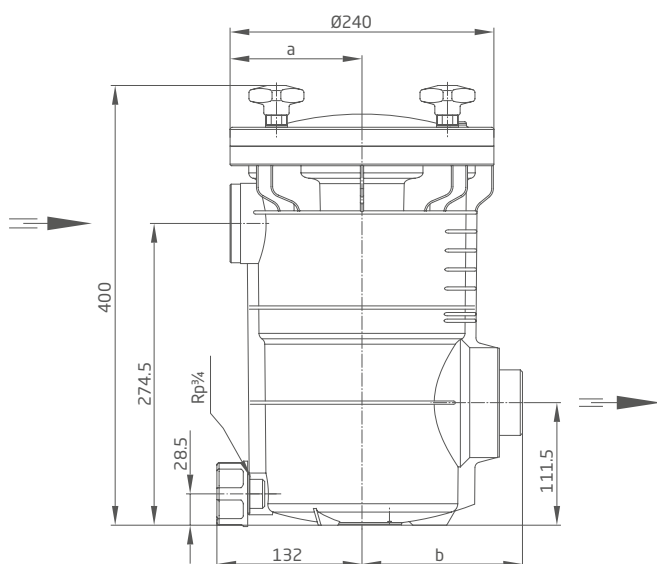
Strainer tank PP TV 40
 Lid PC, transparent
 Star handle PA 6 GV
 Strainer basket PP

Recommended pressure line

DN (mm) 75



Dimensions



Detailed dimensions available on request or at badu.de

Article no	Description	Dimensions a/b	Net RPR	Gross RPR ⁷⁾
292.0912.490	Plastic filter housing, cpl., intake connection Rp 2/pump connection R 2	120/146	342.90 €	408.05 €
292.0912.491	Plastic filter housing, cpl., intake connection Rp 3/pump connection R 3	130/146	342.90 €	408.05 €
292.0912.493	Plastic filter housing, cpl., intake connection Rp 3/pump connection Rp 2 ^{3/4} *	130/121	333.90 €	397.34 €
292.0912.494	Plastic filter housing, cpl., intake connection Rp 3/pump connection Rp 2 ^{3/4} **	130/129	333.90 €	397.34 €

*) For BADU FA 21-50/36 and BADU FA 21-60/45. | **) For BADU FA 21-80/56 and for separate use.

BADU® Union sets



Union made from PVC for BADU 21-40/..

G 2 inside thread with d 50 glue socket



Union made from ABS for BADU 21-80/..

Rp 2¾ inside thread with d 110 glue socket



Union made from PVC for BADU 21-50/.. / 21-60/..

G 2¾ inside thread with d 63 glue socket



Plastic adapter made from ABS

Rp 2¾ x Rp 3 inside thread with d 110 glue adapter



Plastic adapter made from ABS

Rp 2¾ inside thread with d 75 glue socket and d 90 glue adapter



Plastic adapter made from PVC

Rp 2¾ inside thread with d 90 glue adapter



Union made from ABS

R 1½ outer thread with d 50 glue socket or R 2 x d 50 or R 2 x d 63

Article no	Description	Net RPR	Gross RPR ⁷⁾
280.5120.050	Union made from PVC for BADU 21-40/.., G 2 inside thread with d 50 glue socket	10.81 €	12.86 €
292.3172.100	Union made from ABS for BADU 21-80/.., Rp 2¾ inside thread with d 110 glue socket	64.28 €	76.49 €
230.0031.000	Union made from PVC for BADU 21-50/.. BADU 21-60/.., G 2¾ inside thread with d 63 glue socket	32.69 €	38.90 €
230.0027.000	Plastic adapter made from ABS, Rp 2¾ x Rp 3 inside thread with d 110 glue adapter	31.69 €	37.71 €
230.0028.000	Plastic adapter made from ABS, Rp 2¾ inside thread with d 75 glue socket and d 90 glue adapter	31.69 €	37.71 €
230.0026.000	Plastic adapter made from PVC, Rp 2¾ inside thread with d 90 glue adapter	28.49 €	33.90 €
230.0029.000	Plastic adapter made from PVC, Rp 2¾ inside thread with R 3 outer thread	31.69 €	37.71 €
586.3305.003	Union made from ABS, R 1½ outer thread with d 50 glue socket	10.70 €	12.73 €
586.3305.004	Union made from ABS, R 2 outer thread with d 50 glue socket	12.29 €	14.63 €
586.3306.302	Union made from ABS, R 2 outer thread with d 63 glue socket	8.74 €	10.40 €

NB: All unions are only available individually. One union is required per connection side on the pump.



Flange sleeve made from PVC
with d 50 glue socket



Flange sleeve made from PVC
with d 63 glue socket



Flange sleeve made from PVC
with d 63 glue socket and d 75 glue adapter



Flange sleeve made from PVC
with d 90 glue socket



Flange sleeve made from PVC
with d 90 glue socket



Flange sleeve made from PVC
with d 110 glue socket

Article no	Description	Net RPR	Gross RPR ⁷⁾
292.1672.134	Flange sleeve made from PVC-U with d 50 glue socket	11.96 €	14.23 €
292.1472.126	Flange sleeve made from PVC-U with d 63 glue socket	15.47 €	18.41 €
292.1472.118	Flange sleeve made from PVC with d 63 glue socket and d 75 glue adapter ¹⁾	23.62 €	28.11 €
290.2072.117	Flange sleeve made from PVC with d 75 glue socket ²⁾	23.62 €	28.11 €
290.2072.113	Flange sleeve made from PVC with d 90 glue socket ²⁾	32.18 €	38.29 €
290.2072.115	Flange sleeve made from PVC with d 110 glue socket ³⁾	37.52 €	44.65 €

¹⁾ for BADU Gamma, BADU Delta, BADU Profi, BADU EasyFit (without connection set options) and BADU 21-81/..

²⁾ for BADU Prime 25 to BADU Prime 48 and BADU Resort 30 to BADU Resort 45

³⁾ for BADU Resort 50 to BADU Resort 110

BADU® LED transparent lid



Field of application

Transparent lid with integrated LED lighting for simple visual inspections of the pre-filter. Universal opening device for LED lid available, see page 136.

Article no	Description	Net RPR	Gross RPR ⁷⁾
292.1116.012	Transparent lid, PC, with LED lighting	63.83 €	75.96 €

BADU[®] our promise

Quality is the reason customers buy BADU products.
Service is the reason customers are always happy.
That's perfect because that's exactly how we think and trade.
Our aim is always to give more than you expect from BADU.
That's why we're always there for you with help and solutions,
from planning to decision making and implementation.
And of course with our after sales service including customer
and repair services - personally, in store and online.

Product presentation

BADU products are made for life and to be experienced at specialist retail stores - touch them and understand how they work with sectional models and sample products in attractive displays. For BADU specialist retailers and customers alike.

Pump sectional models



Sectional model
BADU Delta



Sectional model
BADU Mat R 41

Actions speak louder than words. That's why we offer all BADU pumps as sectional models, individually finished by hand, to specialist retailers.

Use these clear consultation aids to explain the functions and benefits of each pump type and to answer any questions.

Articel no	Description	Net RRP	Gross RRP ⁷⁾
210.3000.399	BADU Delta sectional model	308.10 €	366.64 €
263.0000.099	BADU Mat R 41 sectional model	37.44 €	44.55 €

The prices indicated are fixed prices, without deductions.



Counter swim unit displays



Display
BADU JET Vogue



Display
BADU JET Primavera



Display
BADU JET Perla / Riva / Stella

The counter swim unit's design and materials are most convincing in real life. For example in sales displays at specialist retailers.

Depending on the version and model, the displays have effect lighting, a built-in screen showing the product video and are delivered with sales literature.

Articel no	Description	Dimensions (WxHxD)	Net RRP	Gross RRP ⁷⁾
232.7420.200	BADU JET Vogue display with white LED	77 x 181 x 57 cm	500.00 €	595.00 €
232.7420.400	BADU JET Primavera display with white LED	77 x 181 x 57 cm	500.00 €	595.00 €
231.7500.098	BADU JET Perla or BADU JET Riva display with white LED	95 x 204 x 87 cm	500.00 €	595.00 €
231.9500.098	BADU JET Stella display with white LED	95 x 204 x 87 cm	500.00 €	595.00 €

The prices indicated are fixed prices. without deductions.

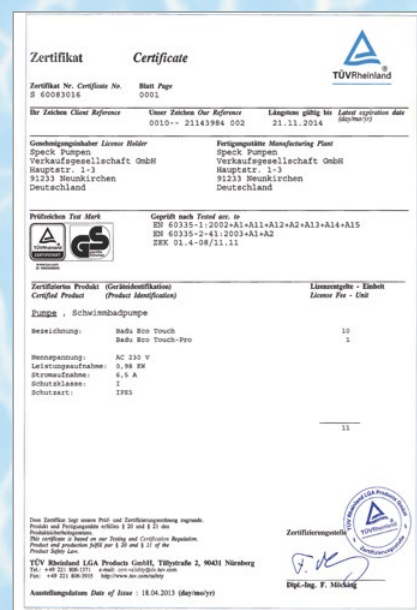
Product quality

The original.
With safety.
Certified.





Trust in a sophisticated brand.
 You may find pool technology cheaper elsewhere, but if it's quality you're looking for then BADU is definitely the right choice for you - with innovative technology and functionality; certified safety; excellent design; and reliable service. This is our promise and our guarantee.



Made in Germany

BADU Premium products are developed and produced in Germany according to the highest material and quality standards and with the experience of a meticulous family business, SPECK Pumpen in Neunkirchen am Sand, Bavaria.

BADU products are exclusively available to buy in specialist retail stores, because sophisticated products belong in competent hands.

Quality

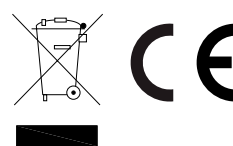
BADU Premium products are made using high quality materials in order to ensure longevity, constant and reliable use and in order to protect the environment and its resources. BADU products are also easy to maintain.

Certification

BADU products are completely safe and are thoroughly tested - by SPECK Pumpen during production and by independent examination institutions and associations. From device safety to the materials used and complete documentation, you can rest assured that your BADU experience will be a good one.

Recycling

Even the best products don't last forever. However BADU is very responsible. Most materials can be re-used and we always have a supply of wear and tear parts as well as spare parts.



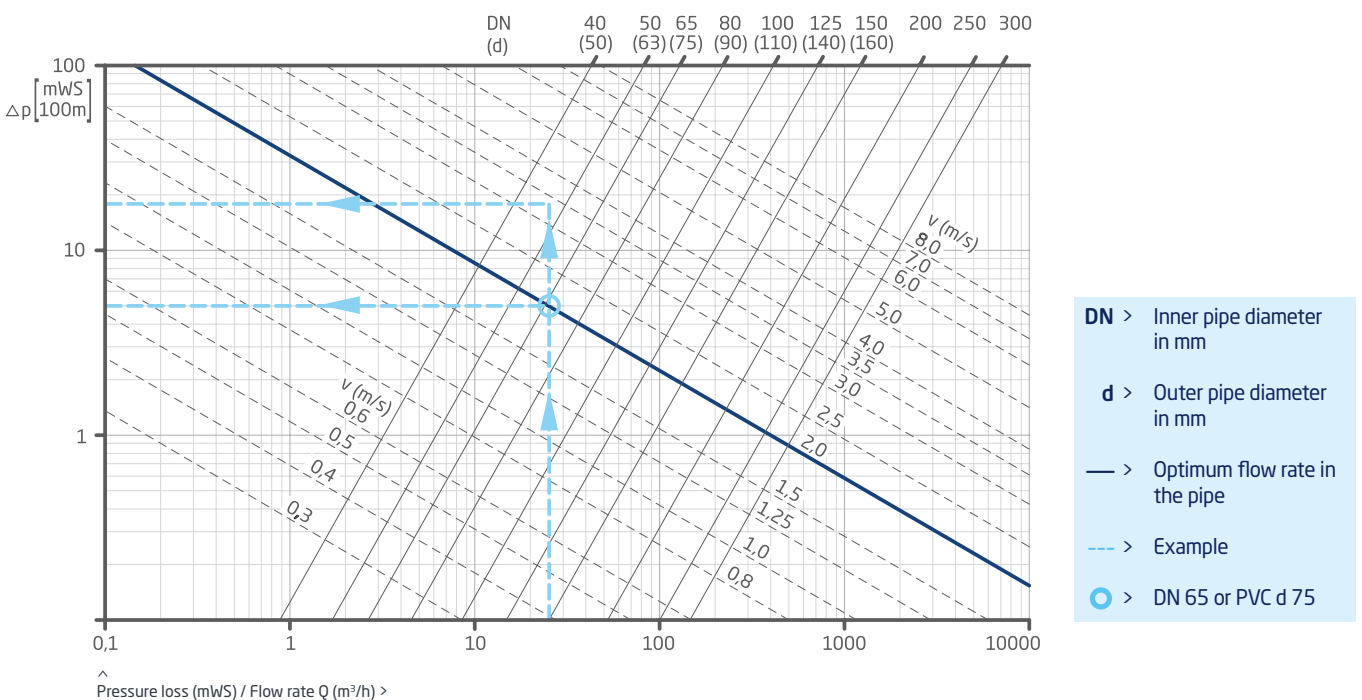
Pipework

The following graphic will help you when determining pipe friction characteristics and calculating the correct pipe diameters.

Circulation pumps

Example	Q = 25 m ³ /h, 20 m plastic pipe with	DN 50 ≙ d 63	DN 65 ≙ d 75
Verlusthöhe	Expected loss reading as seen in the table	H _V = 18.00 m per 100 m	5.00 m per 100 m
	20 m pipe (x 10/100)	H _V = 3.60 m	1.00 m
	Monitored flow speed	v = 3.40 m/s (too high)	2.00 m/s (acceptable)

The pressure loss in this example is valid for clear water at 20 °C and for liquids of similar kinetic viscosity and for new PVC U-pipes.
The pipework loss applies to new PVC-U pipes with nominal pressure rating PN 10.



Counter swim units

To achieve an almost loss free operation of counter swim units use the table to the right to dimension the pipe diameter.

The example is based on:
suction pipe (**S**) with two elbows and
the pressure line (**D**) with three elbows

58 > BADU JET Vogue . **75** > BADU JET Primavera

Q (m ³ /h)		Length of pipe		
		5 m	7.5 m	10 m
58	Suction line (S)	d 140	d 140	d 140
	Pressure line (D)	d 140	d 140	d 140
75	Suction line (S)	d 160	d 160	d 160
	Pressure line (D)	d 140	d 140	d 140

Motor/device protection classifications



This overview shows the safety classifications that are used in BADU Premium pumps.

BADU Delta*), BADU Delta-MK*), BADU Profi,
 BADU Profi-MK, BADU Alpha, BADU Magna,
 BADU Gamma, BADU Prime, BADU EasyFit,
 BADU Resort, BADU 42, BADU 47

Motor protection class IP 55
 Class of insulation F
 Approx. motor speed (rpm) 2840
 Max. water temperature (°C) 40 (60)⁵⁾
 Max. casing pressure (bar) 2.5

BADU Eco Logic, BADU Logic,
 BADU BNR 402, BADU OmniTronic, BADU Omni actuator
 BADU Blue, BADU Blue Pro

Device protection class IP 54

BADU Delta Eco VS*), BADU Delta-MK Eco VS*),
 BADU Alpha Eco Soft, BADU Eco Soft,
 BADU EasyFit Eco VS, BADU Gamma Eco VS,
 BADU Prime Neo VS, BADU Bronze Eco VS,
 BADU Eco Flex, BADU Eco Future

Motor protection class IP 55
 Class of insulation F
 Approx. motor speed (rpm) variable
 Max. water temperature (°C) 40 (60)⁵⁾
 Max. housing pressure (bar) 2.5

BADU JET Vogue, BADU JET Vogue Deluxe,
 BADU JET Primavera, BADU JET Primavera Deluxe,
 BADU JET Riva, BADU JET Stella,

Device protection class IP X5

BADU 21-40, BADU 21-41, BADU 21-50,
 BADU 21-60, BADU 21-80, BADU 21-81

Motor protection class IP 55
 Class of insulation F
 Approx. motor speed (rpm) 2850
 Max. water temperature (°C) 60
 Max. housing pressure (bar) 2.5

BADU JET Turbo Light, BADU JET Turbo, BADU JET Turbo
 Pro, BADU JET Turbo Salt, BADU JET Turbo Pro Salt

Frequency converter protection class IP 66
 Motor protection class IP 65
 Class of insulation (motor) F
 Approx. motor speed (rpm) variable
 Max. water temperature (°C) 40

BADU Eco Drive II

Device protection class IP 55

Maximum permitted ambient temperature 40 °C.
 *) Maximum permitted water temperature 40 °C.

FAQ

There are some things you need to know about having your own pool in order to make the right decisions and as you're not the only one with a few questions, we've listed the most frequently asked ones for you here.

You'll be diving into your pool in no time at all.

How high can a pump prime?

In theory, the maximum suction height is 10.33 m. This depends on air pressure (1033 hPa=normal).

In reality, the actual limit is 7 or 8 m. You still need to factor-in friction losses in the pump, suction line, and fixtures.

Medium dependent factors (e.g. vapour pressure, density or viscosity), may reduce the suction height further.

What is a self-priming pump?

A self-priming pump has the ability to handle air and gas content and can aerate the suction line independently (evacuate air). During the initial start-up, the pump must first be filled with water.

Why must a self-priming pump first be filled with water?

A self-priming pump must have a sufficient amount of water in the pump housing. Only then can air content be transported in the suction line. Therefore it is necessary to fill your BADU pump up to the inlet connection with water. Failing this, the pump may be damaged by dry running. Furthermore you shouldn't interrupt the suction process by continually turning the pump off and on, as the process will have to restart as a result.

What are the maintenance requirements of the BADU pumps?

BADU pumps are generally maintenance free. In order to guarantee a constant flow rate and sufficient filtering of the pool water, the strainer basket must be cleaned at regular intervals. From time to time you may also carry out a visual inspection.

How should the pump be started following a long period of disuse?

Before turning the pump on after a long period of disuse (e.g. winter), check to make sure that it can be moved easily. To do this, rotate the motor shaft lightly with the help of a screwdriver. Should the motor stick at all, this will loosen it. Should the pump still remain tight or an unusual noise become audible, have the pump examined by a trained professional.

What are wear parts?

Wear parts are the sealing and rotating elements of a pump - the mechanical seal, O-rings, gaskets, the

impeller and ball bearings. Unfortunately wear parts are not covered under the warranty, as the wear and tear of these parts is physically unavoidable - just like the tyres on your car which have to be replaced once they've been run down.

How should I best store my pump over the winter season?

It's simple: drain the pump and store it in a dry place, protected against frost. Cover it with a dust sheet.

How should I best store my counter swim unit over the winter season?

Counter swim units installed in outdoor pools should be protected against frost over the winter season. Lower the water level in the pool to the bottom edge of the inlet connection. Disassemble the pump and store this in a dry room. Leave the valves half open so that the space in between can be drained.

How should I best store my solar panel unit over the winter season?

At the end of the bathing season the solar panel unit must be completely drained in order to avoid frost damage. In addition, for solar panels on flat roofs or roofs with a decline of up to 30 degrees, connecting sockets must be opened and the plates individually raised until they are completely drained.

Are BADU products certified?

SPECK Pumpen examine all of their products regularly and have them additionally tested by independent bodies. The high safety and quality standards are confirmed by various up to date examination and certification stamps. Therefore the most modern technology, standards and certified safety specifications are standard for BADU products. You will find CE, GS and other stamps on BADU products. We will be more than happy to provide you with more detailed information regarding these official seals.

Should the pump be turned off when the 6-way valve is being switched over manually?

We recommend turning the pump off in order to avoid a surge in the unit and for ease of handling.



How does the backwash function in the sand filter unit work?

The water from swimming pools is mainly cleaned using sand filters. These must be regularly backwashed in order to loosen up the sand bed and drain off the impurities that have been filtered into it. Filter backwash units assume the various operating functions of the 6-way valve, which can be set manually by hand. However our electronic backwash valves from the BADU Tronic series can take over this task fully automatically providing a simple and convenient alternative.

How do I determine the correct pump and device type?

Every BADU product has its own classification. This can generally be found on the name plate on the pump housing. The name plate contains all important information.

Where can I buy BADU products?

BADU products are distributed exclusively to specialist retailers. To find a representation in your local area please visit the BADU website at badu.de or contact our regional SPECK Pumpen offices, see page 158.

Before you dive in, we guide you through the dos and don'ts of pool care and maintenance of BADU swimming pool products that will keep your pool clean, safe and inviting all year round:



Footnotes / Abbreviations

- Most **single-phase motors** 1~ 230 V are fitted with a built-in overload switch or a protective winding contact as a series feature. Further information can be found in the pump data sheet. Three-phase motors are not fitted with a motor protection device. Special voltage, special frequency, 2-speed or direct current motors on request. Suitable for standard voltage according to DIN IEC 60038 and DIN EN 60034 (Euro voltage), i.e. suitable for continuous operation at:
1~ 220-240 V.
3~ Y/Δ 380-420 V/220-240 V.
3~ Y/Δ 660-725 V/380-420 V.
Tolerances ± 5 %.
GS approved pumps according to EN 60335-1.
- Thread** according to DIN EN 10226-1 and ISO 7-1. Descriptions for pipe thread **sealing inside the thread**.
Internal pipe thread: e. g. Rp 1½,
External pipe thread: e. g. R 1½.
(sealed with teflon tape only)
- Thread according to DIN ISO 228-1. Description for pipe thread **sealing at the end face**.
Internal pipe thread: e. g. G 2,
External pipe thread: e. g. G 2.
(sealed with Teflon tape only)
- Pipe friction characteristics** on page 146. Effects of pipe diameters and internal pipe friction on the flow quantity of a suction line or pressure line.
- Clarification of water temperature 40 °C (60 °C)**
40 °C is the max. water temperature allowed according to GS approval, however the pump is suitable/configured for a max. water temperature of 60 °C.
- Permitted limits for stainless steel parts**
Chloride ion content max. 400 mg/l (400 mg/l chloride is equivalent to 0.66 g/l salt = 0.066 %), pH value 6.8 - 8.2.

- Recommended retail price for Germany incl. 19 % VAT. **The prices quoted are valid from 1 January 2025 provided that no force majeure or unforeseen circumstances, such as natural disasters, political unrest or other events beyond our control, have a significant impact on pricing. In such cases, we reserve the right to make price adjustments to reflect the new circumstances.**
All previous prices are therefore no longer valid. When ordering please always specify the article number. Sales exclusively via specialist retailers. Carriage paid and packaging included on orders within Germany from a net order value of 1.500.00 €. Delivery of goods below a net order value of 50.00 € are generally without deduction, ex-works. Subject to additional material charges. Sales according to our general terms and conditions.

Materials:

ABS	Acrylonitrile butadiene styrene copolymer
ASA	Acrylonitrile styrene acrylate
G-Cu Sn 10	Cast bronze
GG-20	Cast iron
NBR	Acrylonitrile butadiene rubber (perbunan)
PA	Polyamide
PA 66 GF 30	Polyamide, glass fibre reinforced
PC	Polycarbonate
PMMA	Polymethyl methacrylate
POM GF 30	Polyoxymethylene, glass fibre reinforced
PP	Polypropylene
PP GF 30	Polypropylene, glass fibre reinforced
PP TV 40/PP TV 20	Polypropylene, talc reinforced
PPE GF 30	Polyphenylene Ether, glass fibre reinforced
PVC	Polyvinyl chloride
SAN	Styrene-acrylonitrile copolymer

1 bar = 100:000 Pa
1 bar = 10.2 m water column

Minimum geodetic suction height 1.5 m.
Average approx. 3 m (approx. 0.5 m for BADU 21-80 S).
Pumps must be filled with water when priming.

Characteristics measured according to EN ISO 9906;
Flow rate Q = ± 10 %, total dynamic head H = ± 8 %.
Self-priming pumps are tested according to DIN EN 16713-2.

Glossary of terms

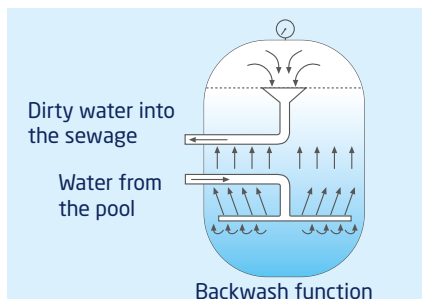
On the following pages you will find explanations for professional and technical terminology. Because knowledge leads to better decisions.

2-phase operation

A three-phase motor has three windings. If one winding fails, for example because a phase in the supply line fails, the motor continues to run with excessive current consumption and can overheat. A motor overload switch is required to monitor the three-phase motor (set to motor rated current).

Backwash

Your filter must be cleaned on a regular basis because some dirt remains in the medium during filtering. In pool technology this takes place according to the simple principle of backwashing: the flow direction of the filter current is reversed. Pieces of dirt in the filter are loosened and are led by the backwash water out of the filter and into the sewage. The backwash procedure can be carried out manually with the BADU Mat valve or fully automatically, for example with the BADU OmniTronic.



BADU Green

The intelligent and maximum efficiency products in the BADU Green range are developed with the aims of saving energy and protecting the environment – for a clear conscience and more bathing pleasure.



Ball bearings

Are a sub-group of anti-friction bearings in which the balls serve as the rolling elements. Bearings are important in order to support the power on moving parts (e.g. motor shaft). In addition to this they reduce power loss caused by friction and minimise material wear. As ball bearings are dynamic, rotating parts, they belong to the wear and tear parts.

Built-in overload switch

A bimetal switch found in many single phase motors which protects the motor winding from overheating. In other words it switches the motor off when the heat reaches a certain temperature. The built-in overload switch isn't a switch in the classic sense. You can't find it and press it because it is installed deep inside the motor. It works fully automatically and is self-resetting: it turns the motor back on after cooling down. For safety reasons please interrupt the power supply and call your pool specialist nevertheless, should your pump turn itself off due to obvious overheating.

CE symbol

An EU label documenting that a product meets all valid standards and requirements. The CE symbol is not strictly a test seal. It's more of an administration symbol expressing the marketability within the European Single Market. You can download the declaration of conformity for your BADU product online at badu.de.



Characteristics

Describes the pump capacity of a BADU pump per hour depending on

the flow rate in metres.

The characteristics are often used to determine the working point or operating point. This point should be in the middle area so that your pump works at optimal efficiency.

Circulation pump

All BADU pumps are centrifugal pumps. This pump construction type works with a rotating impeller, which turns inside the pump housing at high speed. The impeller is driven either by a motor on the same drive shaft or by a motor which is separated from the pump housing.

Continuous sound intensity level

Describes the volume of a sound source. The size of a sound pressure level was introduced so that the range of values 0 to 150 dB (A), which the human ear can process, are used and portrayed sensibly. As a guide: a calm conversation creates a sound pressure level of approx. 60 dB (A) – the BADU Delta Eco VS pump range, for example, is quieter. You will find the exact values for BADU products in the data sheet which is included in delivery and these are of course also available on request. Values are measured at a distance of 1 m with a phonometer according to DIN 45635.

Counter swim unit

Brings movement to your pool. An integrated, powerful centrifugal pump primes pool water extensively and at a low priming speed. The water is returned to the swimming pool under high pressure via one or more adjustable nozzles. Counter swim units are a great attraction – for fun, sport and as a massage device.



Electrical separation

Due to the impeller construction and the insulating plastic components, all pumps in the BADU plastic ranges have electrical separation. Therefore the motor shaft has no contact with the pool water. This is not the case for BADU cast iron and bronze ranges, which don't have electrical separation.

Filter dimensioning

The filter surface required for your sand filter is calculated from the pump's flow rate and the flow speed in the filter. This should not exceed 50 m/h. The slower the filter speed, the more effective the filter is.

Flow rate

Indicates the water quantity that can be handled. The flow rate and the total dynamic head are the most important criteria when selecting a circulation pump. The values are directly related and result in the operating point.

GS symbol

A German test seal assigned by independent, external examination boards (e.g. the technical control board TÜV). GS, meaning "certified safety", certifies a product as corresponding to the requirements of the product safety law established in the German DIN and European CEN standards.

BADU products are regularly GS tested. Therefore, from an independent view, they are up to date with current technology and correspond to the current standards.



Maintenance

BADU products are generally maintenance-free. For self-priming BADU pumps the strainer basket must be checked and cleaned on a regular basis (once a week). A regular sight check to see whether the pump and unit are working correctly and are water tight is also a good idea. Before the first frost, the pumps and counter swim units must be correctly prepared for winter storage. Please see the relevant instruction manual for more details.

Materials used

As a trademark of SPECK Pumpen, BADU has decades of experience in the construction of innovative pumps and in pump technology as well as in using plastics for constructing pumps. BADU products are predominantly made of glass fibre or talc-reinforced plastic. The materials used stand up to the requirements of swimming pool water (and the typical chemicals used). They are corrosion resistant and can, almost without exception, be recycled after use.

For more information regarding BADU materials please see page 149 of this catalogue.

Mechanical seal

Dynamic seals which seal the rotating shaft reliably against a wall. For example, the motor shaft against the pump housing. They consist of two components which slide against each other (slide ring and counter ring). As the mechanical seal is a dynamic, rotating part, it belongs to the wear and tear parts.

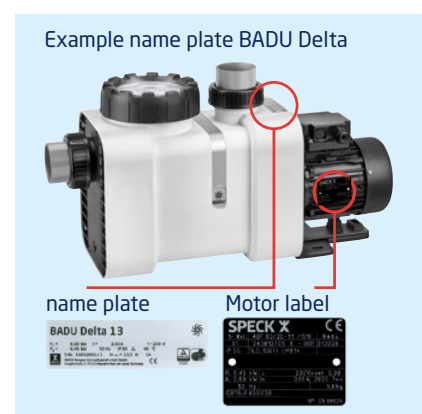
Motor overload switch

Protects the motor against overloading. Unlike a built-in overload switch, the motor overload is not self-resetting. It must be manually reset after having been triggered. Please do not attempt to reset the motor overload switch yourself, but contact your pool professional. Three-phase motors don't have an integrated motor overload switch, but

require an individual solution from the professional electrician on site. A motor overload switch is, for example, built into the single phase versions of the BADU Prime 7 to BADU Prime 20 and BADU Bronze ranges.

Name plate

Every pump or counter swim unit has a type description. This can be found on the pump housing, on a silver sticker. This name plate includes all important information regarding the product (description, rated current, voltage, serial number). Should you have any questions at all, note down the description and serial number and pass these on to your swimming pool specialist or to us. Even if you simply require some spare parts, these details are very important.



Non-self-priming pumps

As opposed to self-priming pumps, non-self-priming pumps (e.g. BADU 46) cannot transport air. Non-self-priming pumps generally have to be installed below the water level so that the water to be pumped can flow to it independently. They are often a good choice for pool attractions, counter swim units and whirlpools.



Operating capacitor

An electrical component which can save electric loads and therefore also energy. This can be compared to a battery. The amount of energy saved is called electrical capacity, measured in the unit "Farad". Capacitors are built into BADU pumps in order to absorb changes in voltage. This component belongs to the wear and tear parts.

Operating point

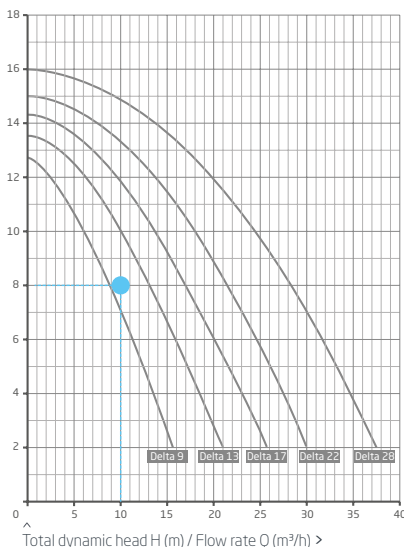
The operating point or working point is a specific point on the characteristics diagram or curve of a pump which is defined as a reference for the current application situation. When selecting the optimal filter pump a variety of factors have to be taken into consideration, therefore an experienced pool professional should always be appointed to do this. These specialists know all of the requirements and can balance and set the system components.

Calculation example - operating point

10 m³/h for sand filter, generally 0.8 bar (8 m)

Result

The BADU Delta 13 reaches the desired flow rate of 10 m³/h with the required total dynamic head of at least 8 metres.



Permanent magnet motors (PM)

Built like a three-phase synchronous motor. The rotor has a permanent magnet and the fixed stator comprises the coils which are controlled

at staggered intervals by an electric switch. Permanent magnet motors are especially efficient. Almost all BADU Green pumps work with this motor type. Many other ranges can be individually fitted with PM motors on request.

Pipe assembly

Depending on the connection variations of the pump type, teflon band is used for thread connections or the unions enclosed are used for assembling the pipes. ABS unions have a minimum curing time of 12 hours. Important: plastic threads may not be sealed using hemp.

Pipe dimensioning

In a pipe there is physical frictional loss. The higher the flowing speed of the pumped medium (e.g. water), the higher the frictional loss. Pipe friction loss must be taken into consideration in the planning phase so that the calculated pipe dimensioning doesn't prevent efficient operation of the pool system. Using the pipe characteristics on page 146 you can calculate the pipe friction loss and the flow speed and determine your optimum pipe dimensioning.

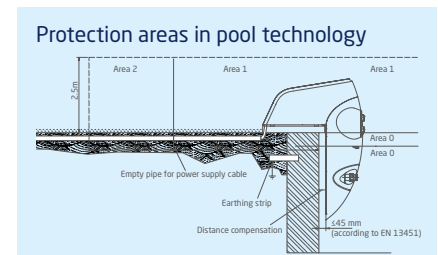
Pre and final assembly kits

BADU JET submerged counter swim units always consist of two different sets of components which together make a functioning unit. In the pre-assembly kit you will find all of the parts required when building your pool. For example the main housing which is installed in the pool wall. The final assembly kit is needed when the building phase is advanced enough for the cover, nozzles, pump and electronics to be installed. You can install the pre-assembly kit first of all and complete your unit at a later stage with the final assembly kit.

Protection area

There are various protection areas from 0 to 2 for connecting and equip- electrical devices in the pool

area. BADU pumps and counter swim units may be installed in protection area 1. The degree of protection for motors in this protection area is defined with IP X5/4 and is met by BADU products. The high supply voltage is irrelevant in this case as the products are permanently installed.



Protection classification

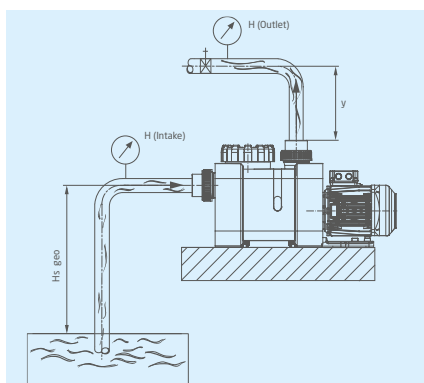
Indicates the suitability, for example of motors, for various environmental conditions. In addition it protects people against potential danger when using them. Pumps and counter swim units have to work safely, under difficult conditions for many years. With regard to their suitability for various conditions, the products are divided into so-called IP codes (International Protection Codes). BADU pumps and counter swim units are generally configured for the protection classification IP X5. That means that motors are protected against hose water from any angle.

Priming speed

Describes the water speed in m/s at the priming point (the suction). This is an important measurement, for example when reviewing counter swim units. BADU products are developed for safety. The priming speed of a BADU counter swim unit corresponds to or exceeds the valid EU norms and standards.

Priming time

This is the time a pump needs to prime the water until the suction line is completely evacuated. This time depends on the length and diameter of the pipe, how high above the water level the pump is positioned and of course the pump itself, e.g. capacity and type.



Self-priming pumps

The typical circulation pump in pools and swimming baths. Self-priming pumps can, unlike non-self-priming pumps, transport air and can evacuate the suction line independently once the pump housing has been filled for the first time. This is a very flexible pump concept. Self-priming pumps can be installed above or below the water level.

Telescopic foot

A so-called telescopic support foot is available for BADU JET overhang counter swim units. This is necessary for above ground pools which don't have a suitable edge. The foot provides stability necessary for the unit and its height can be adjusted.

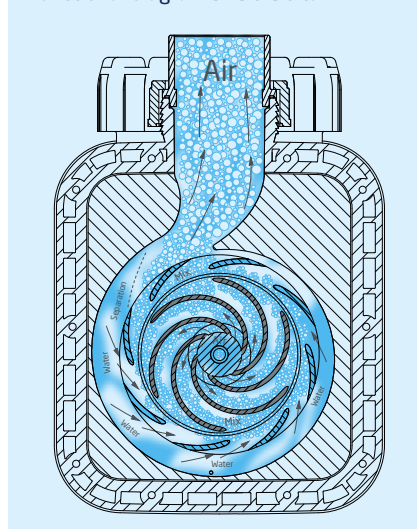
Three-phase motor

Three-phase asynchronous motors are mostly operated on a special three phase power supply system with 400 V - commonly known as a high voltage current. The motor normally consists of two parts: an external, fixed stator and a rotor, which rotates inside it. Because of the three phases, these motors generally also have three windings. Attention must be paid to the direction of rotation during connection and the initial start-up (arrow on motor housing). Under certain conditions (see PTC resistor sensor), three-phase motors are suitable for operation on external frequency transformers for variable speed adjustment.

PTC resistor sensor

If the motor speed decreases, the cooling of the motor is also reduced. If the speed drops too much, the cooling may no longer be sufficient. PTC resistor sensors, or PTC thermistors, are built into the motor winding of the BADU Prime 25 to BADU Prime 48, BADU Profi and BADU Resort ranges. They serve as a continuous and precise temperature monitor in the motor - in particular where the motor speed is controlled via an external frequency converter. When the temperature increases, the electrical resistance in a PTC resistor sensor increases. This temperature monitoring concept is much more precise than the commonly used rated current monitoring, which is built into frequency converters.

Functional diagram BADU Delta



Single phase asynchronous motor

Operated with one phase and 230 V - normal household electricity. The motor consists of two parts: an external, fixed stator and a rotor, which rotates inside it. All BADU single phase motors are equipped with an integrated operating capacitor and have two windings (main and auxiliary winding).

Three-way opening device

Used to open the lids of the BADU Prime 25 to BADU Prime 48 and BADU Resort quickly and easily. With this special tool the screw connections can be opened easily.

Rinsing

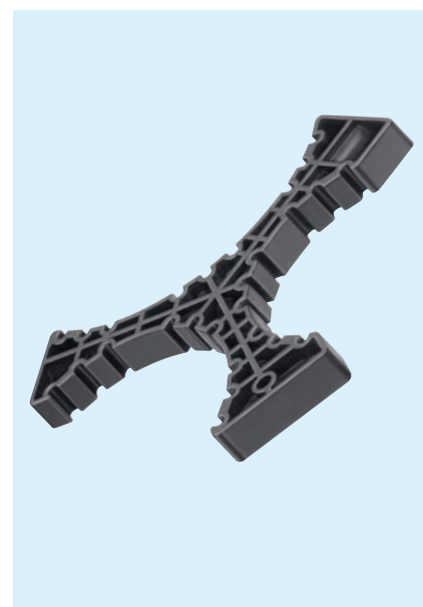
Following a backwash cycle it is necessary to carry out the rinsing procedure. Any residue or erosion from the filter materials remaining following the backwash will be drained off during rinsing. This procedure takes 30 to 60 seconds.

Salt electrolysis

Over the last few years salt water electrolysis has become a popular alternative to the classic chlorine disinfection. During this disinfection procedure the water is enriched with salt (total salt concentration approx. 0.4 %). BADU pumps in standard variations are suitable for a total salt concentration of 0.5 %, i.e. 5g/l, for this procedure.

Strainer basket

Stops larger pieces of debris from getting to the pump and protects against faults and blockages. You should therefore never run your pump without the strainer basket. Depending on the location of your pool and the time of year, the strainer basket is contaminated to varying degrees. If the strainer basket is contaminated or full, the pump's flow rate will decrease and it is no longer possible for a sufficient circulation to take place. It's best to check the strainer basket once a week.



Total dynamic head

Indication of the height from the water level to the highest point of the pressure line. Warning: as well as the height difference, values for the total dynamic head also include the pressure loss resulting from pipework and installation pieces. The calculations should always be carried out by a trained pool specialist.

Universal opening device

Special tool for opening the lid on various BADU pumps easily. Also available in sickel form for the BADU Magna.

Universal opening device



Sickel opening device



Water level

Refers to the height level of the water surface of your pool.

Wear and tear

BADU products are made from high quality materials. Moreover they are designed to withstand the requirements and strains of their applications for as long as possible. However, in technology, wherever things move and parts rub against each other, material consumption and erosion occurs -wear, on wear and tear parts. Wear and tear cannot be completely remedied. However it can be avoided. BADU products are optimised for minimal wear during each phase of their development. In doing so, we protect resources, the environment and our customer's patience. The few remaining wear and tear parts are readily available via our BADU customer service: rotating/dynamic parts, mechanical seals, ball bearings etc. Now you'll surely appreciate why wear and tear parts are not covered under warranty.

Winter storage

Before the first frost you should empty your circulation pump because the water inside will expand as it freezes and thereby damage the pump. The instruction manual explains in detail how to approach this properly.

Pool Technology allround

Product overview 4

Pool Technology premium

Circulation pumps, energy-saving

BADU Prime Neo VS..... 19
BADU Eco Future..... 20
BADU Delta Eco VS 22
BADU Alpha Eco Soft..... 24
BADU Eco Soft..... 26
BADU EasyFit Eco VS 28
BADU Gamma Eco VS 30
BADU Delta-MK Eco VS..... 32
BADU Eco Flex..... 34

Circulation pumps, self-priming and self-priming with magnetic coupling

BADU Alpha 40
BADU Magna 42
BADU Gamma 44
BADU Delta 46
BADU Delta-MK..... 48
BADU Prime 7-20..... 50
BADU Prime 25-48 52
BADU EasyFit 54
BADU EasyFit connection sets 56
BADU Resort 58

Circulation pumps, non-self-priming

BADU 42 64
BADU 47 66
BADU 21-40..... 68
BADU 21-41..... 70
BADU 21-50..... 72
BADU 21-60..... 72
BADU 21-80..... 74
BADU 21-81..... 76

Circulation pumps, lantern version

BADU AK-Versions..... 78

Counter swim units

Submerged,

BADU JET Turbo Light..... 84
BADU JET Turbo 86
BADU JET Turbo salt..... 88
BADU JET Turbo Pro 90
BADU JET Turbo Pro salt 92
BADU JET Technology Shaft..... 94
BADU JET Vogue 96
BADU JET Vogue Deluxe 98
BADU JET Primavera..... 100
BADU JET Primavera Deluxe..... 102

Overhang

BADU JET Riva 104
BADU JET Stella..... 106

Operation

Controllers

BADU Blue 112
BADU Blue Pro..... 114
BADU Blue/Blue Pro Accessories 116
BADU Omni actuator 118
BADU NetLink..... 120
BADU BNR 402..... 121

Flow meters

BADU FlowSonic / FlowSonic+ ... 122

Filter units

BADU Eco Star 124

Frequency converters

BADU Eco Drive II 126

Backwash units, automatic

OmniTronic - Upgrade..... 128

Backwash units, manual

Mat R 41 / Mat R 51..... 130

Accessories

BADU Counter swim units 134
BADU Filter cartridge 135
BADU Opening devices..... 136
BADU Plastic strainer tank..... 137
BADU Union sets..... 138
BADU LED transparent lid..... 139

Service

Product presentation..... 142
Product quality 144
Pipe friction characteristics 146
Motor/device protection
classifications..... 147
Frequently asked questions..... 148
Footnotes . Abbreviations..... 149
Glossary of terms 150
Index 156
Locations..... 158
Contact . Imprint..... 160



A to Z

BADU 21-40.....	68	BADU JET Riva	104
BADU 21-41.....	70	BADU JET Stella.....	106
BADU 21-50.....	72	BADU JET Technology Shaft.....	94
BADU 21-60.....	72	BADU JET Turbo	86
BADU 21-80.....	74	BADU JET Turbo Light.....	84
BADU 21-81.....	76	BADU JET Turbo Pro	90
BADU 42	64	BADU JET Turbo Pro salt	92
BADU 47	66	BADU JET Turbo salt.....	88
BADU AK-Versions.....	78	BADU JET Vogue	96
BADU Alpha	40	BADU JET Vogue Deluxe	98
BADU Alpha Eco Soft.....	24	BADU LED transparent lid.....	139
BADU Blue.....	112	BADU Magna	42
BADU Blue/Blue Pro Accessories	116	BADU NetLink.....	120
BADU Blue Pro.....	114	BADU Omni actuator	118
BADU BNR 402.....	121	BADU Opening devices.....	136
BADU Counter swim units	134	BADU Plastic strainer tank.....	137
BADU Delta.....	46	BADU Prime 7-20.....	50
BADU Delta Eco VS	22	BADU Prime 25-48.....	52
BADU Delta-MK.....	48	BADU Prime Neo VS.....	19
BADU Delta-MK Eco VS.....	32	BADU Resort	58
BADU EasyFit.....	54	BADU Union sets.....	138
BADU EasyFit connection sets	56	Contact . Imprint.....	160
BADU EasyFit Eco VS	28	Footnotes . Abbreviations.....	149
BADU Eco Drive II	126	Frequently asked questions.....	148
BADU Eco Flex.....	34	Glossary of terms	150
BADU Eco Future.....	20	Index	156
BADU Eco Soft.....	26	Locations.....	158
BADU Eco Star	124	Mat R 41/Mat R 51	130
BADU Filter cartridge	135	Motor/device protection classifications	147
BADU FlowSonic / FlowSonic+	122	OmniTronic - Upgrade.....	128
BADU Gamma.....	44	Pipe friction characteristics	146
BADU Gamma Eco VS	30	Product overview	4
BADU JET Primavera.....	100	Product presentation.....	142
BADU JET Primavera Deluxe.....	102	Product quality	144

Locations

Sales regions Germany

Sales region South/East

Hauptstraße 3
91233 Neunkirchen am Sand
Phone +49 9123 949235
Fax +49 9123 949245
neunkirchen@speck-pumps.com
speck-pumps.com

Sales region South

Lindberghstraße 7
82178 Puchheim
Phone +49 89 800709930
Fax +49 89 80070993609
muenchen@speck-pumps.com
speck-pumps.com

Sales region South/West

Phone +49 711 341901112
Fax +49 711 341901118
stuttgart@speck-pumps.com
speck-pumps.com

Sales region Central

Philipp-Reis-Straße 5
63110 Rodgau-Jügesheim
Phone +49 6106 28578121
Fax +49 6106 28578129
rodgau@speck-pumps.com
speck-pumps.com

Sales region West

Volmerswerther Straße 86
40221 Düsseldorf
Phone +49 211 30200760
Fax +49 211 30200769
duesseldorf@speck-pumps.com
speck-pumps.com

Sales region North/East

Farmsener Landstraße 2
22359 Hamburg
Phone +49 40 45063427414
Fax +49 40 45063427419
hamburg@speck-pumps.com
speck-pumps.com

SPECK Pumpen worldwide – online

BADU products and accessories can only be purchased from qualified specialist retailers.
Visit the BADU website to find a representation in your local area:





Europe

Belgium

Duktrad International BVBA
Ambachtenlaan 32
B-3001 Leuven
Phone +32 475 598346

chris.den.hartog@speck-pumps.com
speck-pumps.com

Denmark

Welldana A/S
Randersvej 6
DK-6700 Esbjerg
Phone +45 7527 2333
Fax +45 7527 2111
info@welldana.com
welldana.com

France

SPECK France SAS
33, Cours Albert Thomas,
F-69003 Lyon
Phone +33 0 478181940

info@speck-pumps.com
speck-pumps.com

Great Britain

Duktrad International BVBA
Ambachtenlaan 32
B-3001 Leuven
Phone +32 475 598346

chris.den.hartog@speck-pumps.com
speck-pumps.com

Italy

Gerit S.r.l.
Sede legale Via Giotto 15
I-39100 Bolzano (BZ)
Phone +39 0471 917327
Fax +39 0471 202588
info@gerit.net
gerit.net

Netherland

SPECK Pompen Nederland B. V.
Stationspoort 10
NL-6902 KG Zevenaar
Phone +31 316 331757
Fax +31 316 528618
info@speck.nl
speck.nl

Norway

BWT Birger Christensen AS
Røykenveien 142 A
N-1386 Asker
Postboks 136
N-1371 Asker
Phone +47 67 177000
Fax +47 67 177001
firmapost@bwtwater.no
bwtwater.no

Austria

SPECK Pumpen GmbH
Kauttenstraße 10
A-4060 Leonding/Linz
Phone +43 732 3820660
Fax +43 732 38206613
info@speck-pumpen.at
speck-pumpen.at

Poland

Basen Hurt
ul. Towarowa 6
PL-62-090 Mrowino
Phone +48 61 8144851
Fax +48 61 8552627b
iuro@basenhurt.pl
basenhurt.pl

Poland

Basen i Sauna Sp. z o.o.
ul. Gdańska 8
PL-86-022 Aleksandrowo
Phone +48 52 3402540

office@basenisauna.pl
basenisauna.pl

Sweden

EnviroProcess AB
Borgås Gårdsväg 9
S-43439 Kungsbacka
Phone +46 300 837000
Fax +46 300 837099
info@processing.se
processing.se

Switzerland

Aqua Solar AG
Industriering 66
CH-4227 Büsserach
Phone +41 61 7899100
Fax +41 61 7899119
info@aquasolar.ch
aquasolar.ch

Spain

SPECK-Española, S.A.
C/. Can Fenosa, s/n. Nave 7
Pol. Ind. Martorelles
E-08107 Martorelles/Barcelona
Phone +34 93 5702004
Fax +34 93 5701949
info@speck-bombas.com
speck-bombas.com

Turkey

SPECK-Pompa Ltd.Sti.
Girne Mah., Kücükalyalı Is Merkezi
B Blok No. 12
TR-34852 Maltepe/Istanbul
Phone +90 216 3757505
Fax +90 216 3757533
info@speckpompa.com.tr
speckpompa.com.tr

Contact

We're happy to help!

Sales BADU swimming pool technology, Aquaculture

Phone +49 9123 949-400
Fax +49 9123 949-206
info@badu.de

Sales domestic technology

Phone +49 9123 949-500
Fax +49 9123 949-211
vertrieb@speck-pumps.com

Sales industrial technology

Phone +49 9123 949-600
Fax +49 9123 949-211
industrie@speck-pumps.com

Domestic shipping/Export

Phone +49 9123 949-900 . Domestic shipping
Phone +49 9123 949-800 . Export
Fax +49 9123 949-316
versand@speck-pumps.com
export@speck-pumps.com

Cumstomer services, repairs and spare parts services

Phone +49 9123 949-700
Fax +49 9123 949-245
service@speck-pumps.com

Marketing

Phone +49 9123 949-242
Fax +49 9123 949-284
marketing@speck-pumps.com

Imprint

Editor

SPECK Pumpen Verkaufsgesellschaft GmbH
Hauptstraße 3
91233 Neunkirchen am Sand, Germany
Phone +49 9123 949-0
info@badu.de
badu.de

Editorial and content

Armin Herger, Christoph Ott,
Technik-Team

Translation

Sonja Knodel-Sarraf

Illustrations

Ramona Erb

Photos

Adobe Stock:
whyframeshot, Joyce,
Alexandre Zveiger,

Getty Images:
Yasinguneyasu, Martin
Barraud

iStock:
Tom Merton,
amriphoto, hobo_018

Shutterstock:
I Water

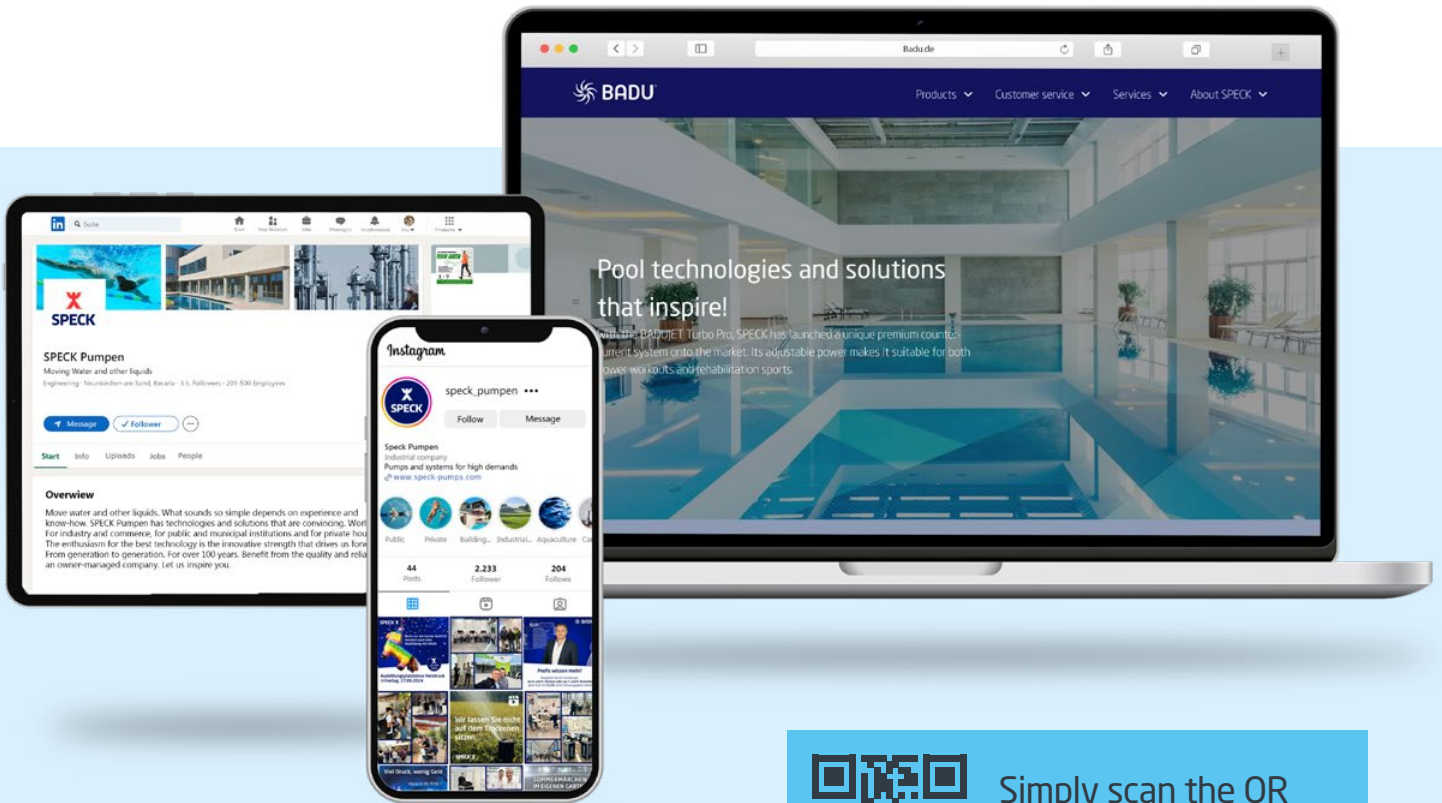
SPECK Pumpen

Graphics, compositions and layout

SPECK Marketing Team

Printing, including extracts, only
with the editor's authorisation.
Subject to changes, technical
modifications and errors.

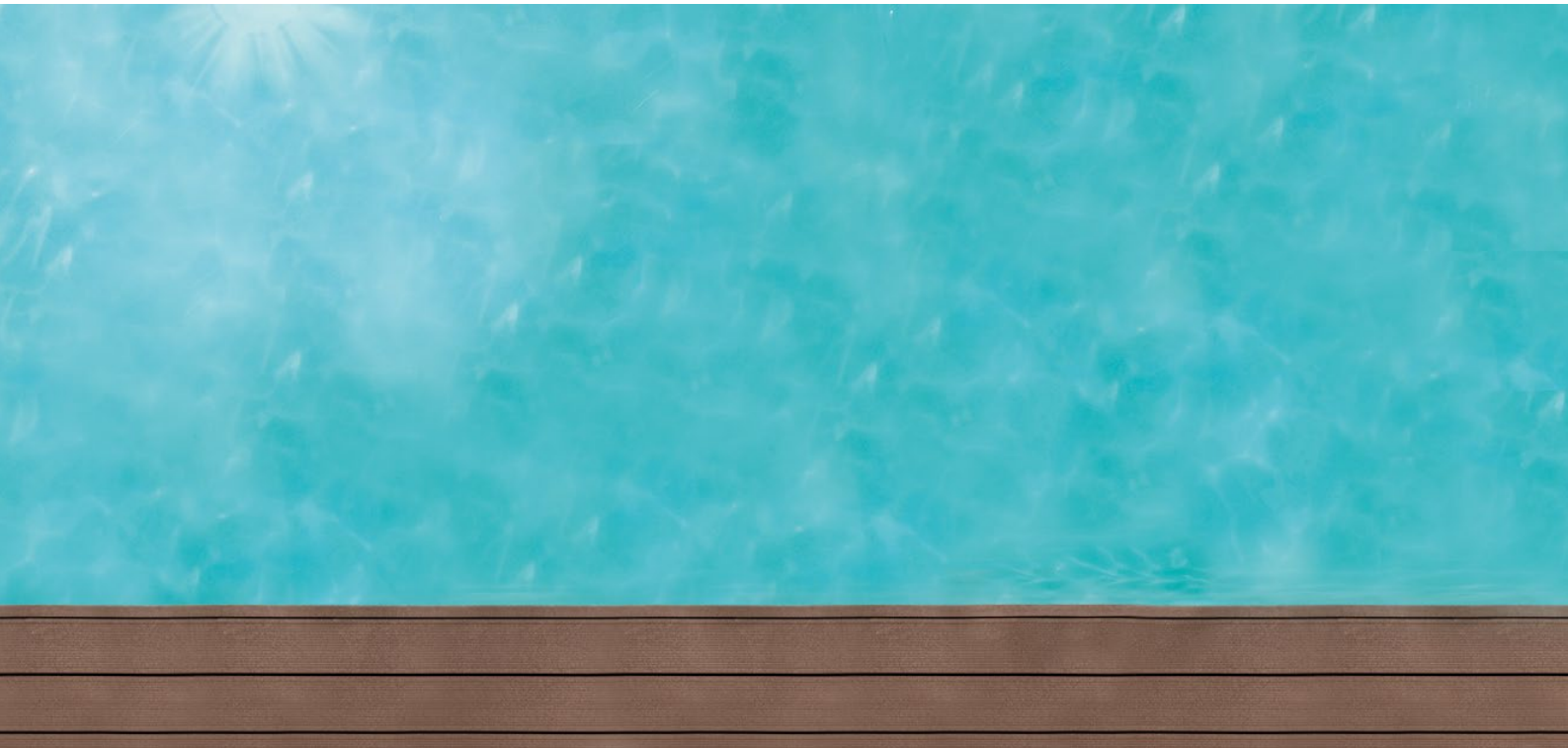
Copyright by SPECK Pumpen



Simply scan the QR code and experience the world of BADU.

Experience the world of BADU: online and on the go at **badu.de**





Your BADU contact

**BADU is a trademark of
SPECK Pumpen Verkaufsgesellschaft GmbH**

Hauptstraße 3
91233 Neunkirchen am Sand, Germany

Phone +49 9123 949-0

Fax +49 9123 949-260

info@badu.de

badu.de