

BADU® Alpha

New standard for small pools – optimised like never before.

Field of application

Swimming pool water circulation through a filter system. The pump can be installed max. 2 m above or 3 m below water level.

Design

Monoblock-type pump with integrated strainer tank. The bellow-type mechanical seal is mounted on a plastic shaft protector sleeve.

Motor/pump shaft has no contact with the pool water providing complete electrical separation.

Strainer tank capacity approx. 1.0 l

Strainer basket mesh size approx. 2.8 x 2.8 mm

Materials used

Pump housing	PP
Gland housing	PP GF 30
Impeller	PPE GF 30
Strainer basket	PP
Lid	PC, transparent/ABS
Glue sockets	ABS
Mechanical seal	carbon/ceramic/NBR
Screws	stainless steel
Elastomers	NBR

Technical data at 50 Hz	BADU Alpha	6	8	10	12
Inlet Sa/outlet connection Da		Special union with glue socket d = 50 included in delivery.			
Rec. inlet/outlet pipe, PVC pipe, d ⁴⁾		50/50	50/50	50/50	50/50
Power input P ₁ /output P ₂ ¹⁾ (kW)	1~ 230 V	0.35/0.18	0.45/0.25	0.60/0.40	0.69/0.45
Rated current (A)	1~ 230 V	1.95	2.30	2.70	3.20
Efficiency class		D	D	D	D

For more detailed information regarding the motor protection please see page 149.

Technical data may vary.

Article no	Description	Voltage	Power output P ₂	Net RRP	Gross RRP ⁷⁾
210.4060.038	BADU Alpha 6	1~ 230 V	0.18 kW	415.88 €	494.90 €
210.4080.038	BADU Alpha 8	1~ 230 V	0.25 kW	431.88 €	513.94 €
210.4100.038	BADU Alpha 10	1~ 230 V	0.40 kW	447.86 €	532.95 €
210.4120.038	BADU Alpha 12	1~ 230 V	0.45 kW	462.87 €	550.82 €

Universal opening device included in delivery. See page 138.



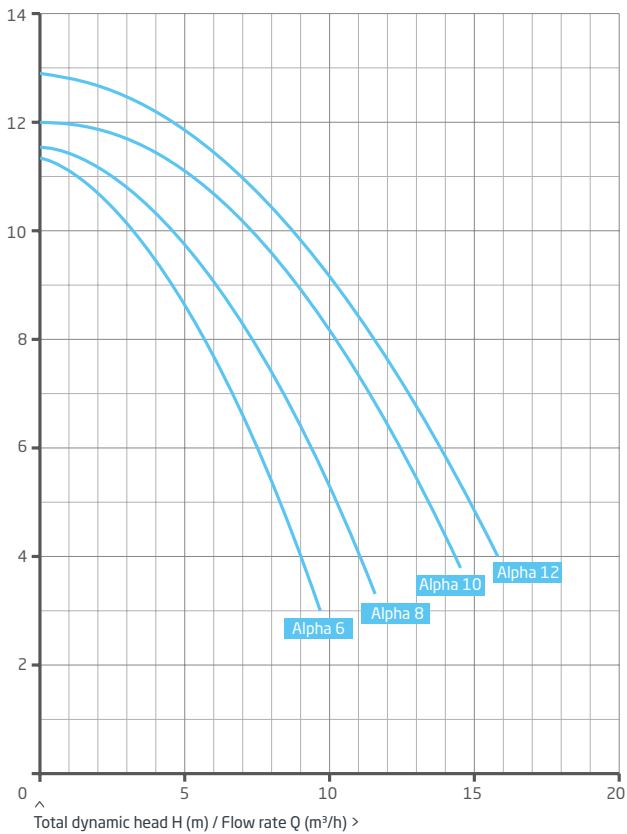
Circulation pumps, self-priming



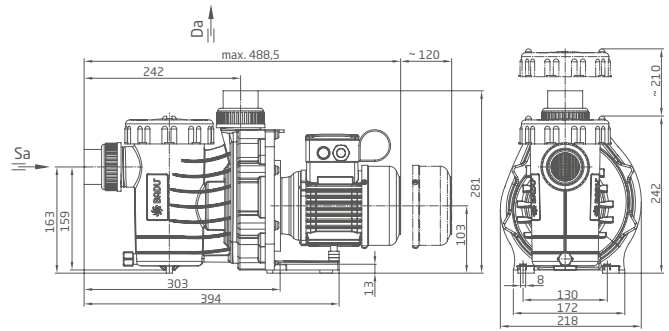
www.tuv.com
ID 0000021507



Characteristics



Dimensions



Detailed dimensions available on request or at badu.de